

Rack Mounting Instructions

When installing your device in a rack cabinet, consider the following:

- Review the documentation that comes with your rack enclosure.
- Ensure the room air temperature is below 35°C (95°F).
- Maintain 15 cm (6 in.) of clearance around your server for air circulation.
- Plan the device installation starting from the bottom of the rack.
- Remove the rack doors and side panels to provide easier access during installation, if necessary.
- Slide rails are labeled for the left and right.
- Position the template on the rack so that the edges of the template do not overlap any other devices to be installed.



Use safe practices when lifting.



≥18 kg (39.7 lbs)



≥32 kg (70.5 lbs)



≥55 kg (121.2 lbs)

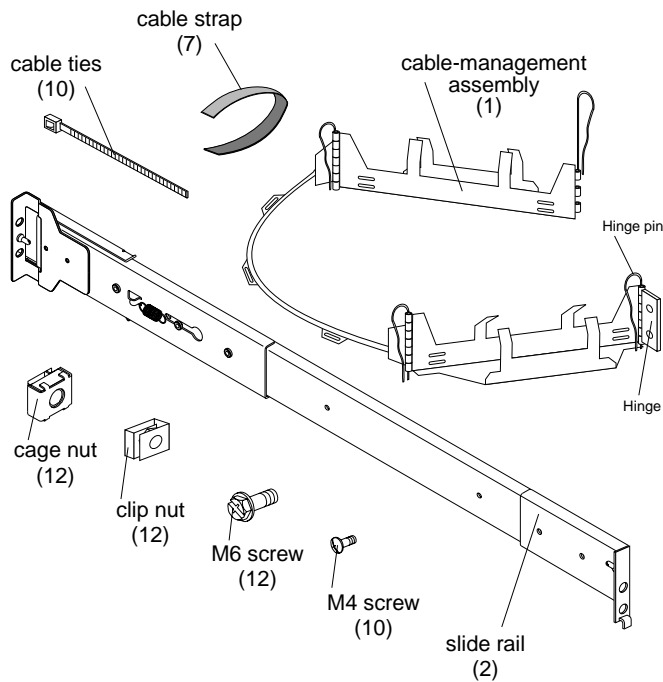


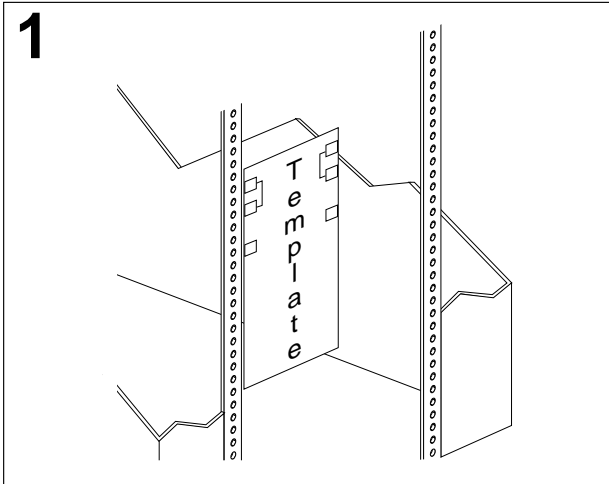
Do not place any object weighing more than 50 kg (110 lbs) on top of rack-mounted devices.



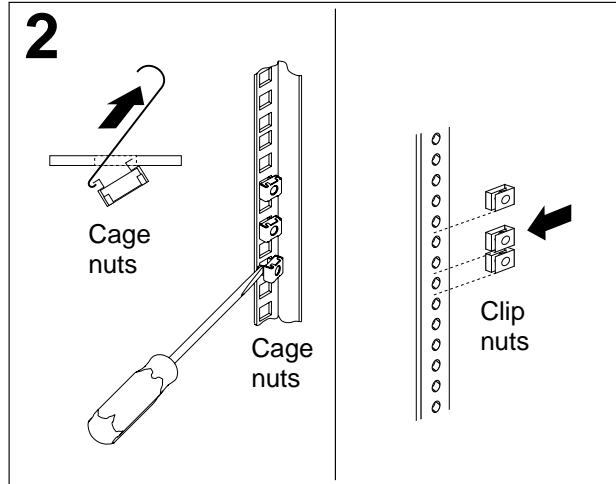
>50 kg (110 lbs)

You will need an assortment of small screwdrivers and an 8-inch adjustable wrench or pliers during the installation. The following items are shipped in your rack installation kit. If any items are missing or damaged, contact your place of purchase.



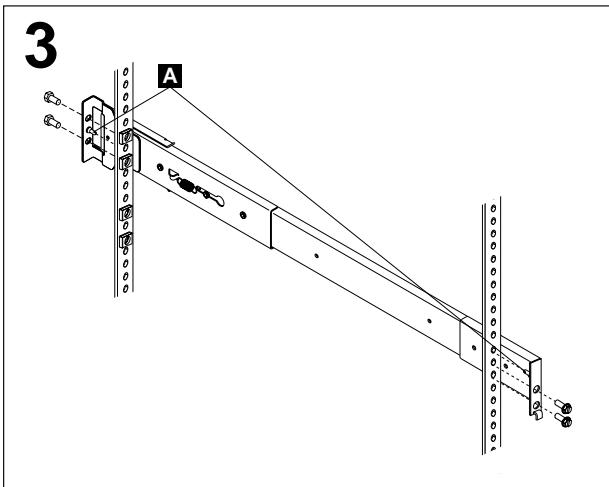


Use the attached stickers to mark the holes on the front and rear of the rack in the locations as indicated by the arrows on the attached template.

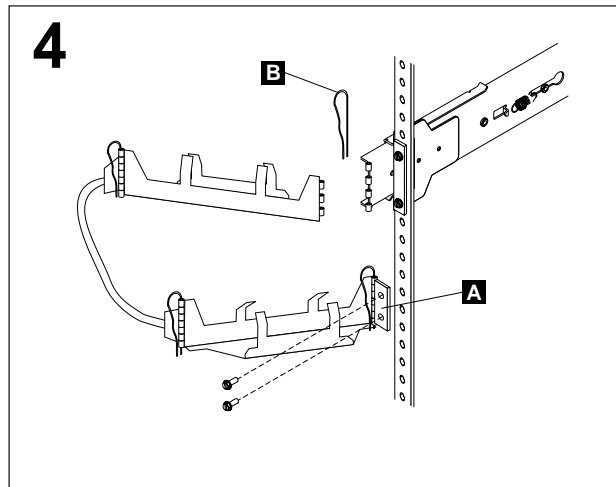


Use the cage-nut-insertion tool or a screwdriver to install the cage nuts, or the clip nuts, as required for your rack, into the marked holes.

Note: For racks with square holes, use the cage nuts. For racks with round holes, use clip nuts.

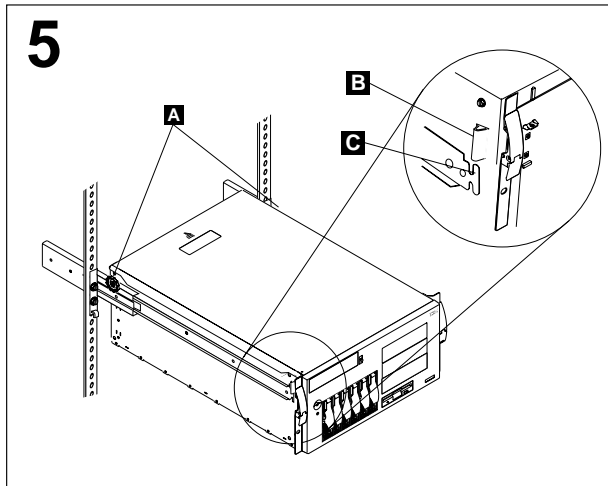


Use the pins **A** on the slide rail to align the slide rail to the rack. Use the M6 screws to bolt the slide rail to the rack. Repeat this step for the other slide rail.



Use the M6 screws to attach the hinge bracket **A** to the rear of the rack.

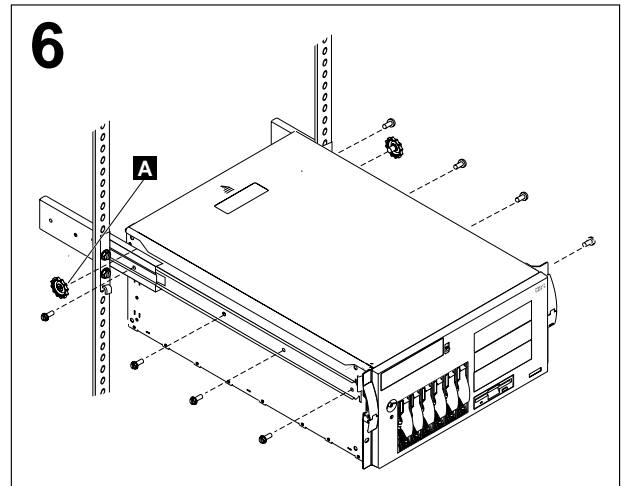
Note: Ensure that the location of the hinge bracket **A** does not interfere with accessing other rack-mounted devices. Then, use the hinge pin **B** to attach the cable-management assembly to the slide rail.



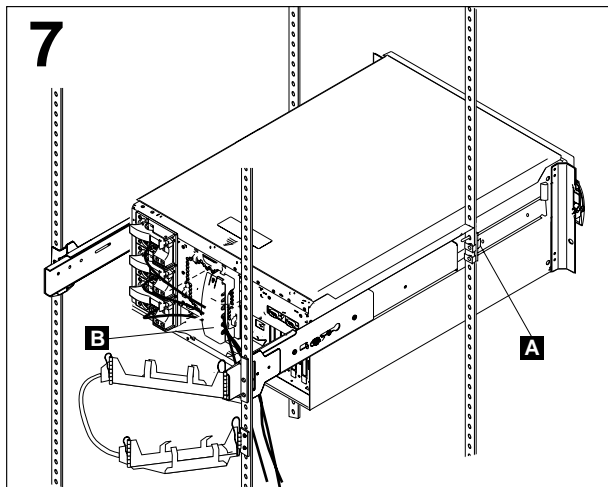
Caution: To avoid injury, do not place your fingers around the rack-support wheels **A** when lowering the server onto the rails.

Fully extend the slide rails out of the rack. Lift the server above the rails; then, rest the rack-support wheels **A** on the slide rails. Lower the front of the server onto the slide rails.

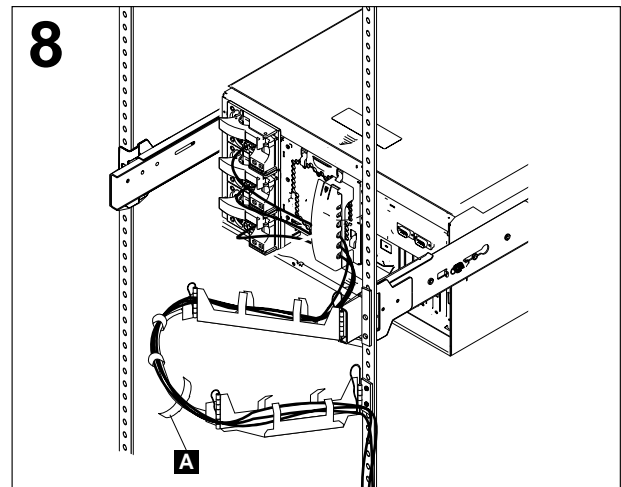
Note: Be sure the bracket notches **B** on the front of the server fit securely on the tabs **C** located on the front of the slide rails.



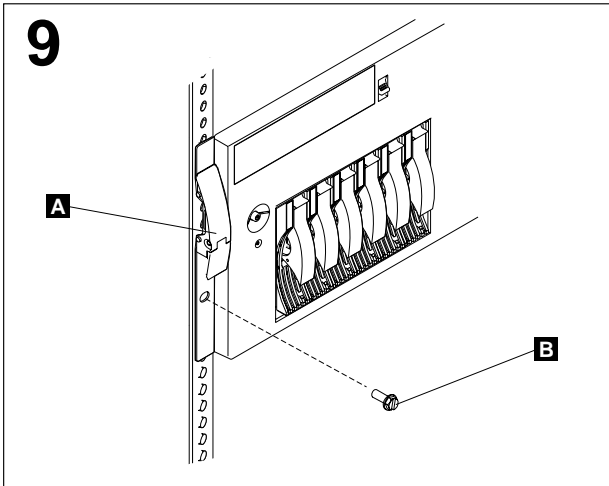
Use the M4 screws to secure the server to the rails. Unscrew the rack-support wheels **A** and store them for potential future use.



Press in on the safety latches **A** and slide the server halfway into the rack. Attach the power, keyboard, mouse, and monitor cables (if required) to the server and route them through the cable restraint bracket **B**. Then, attach all other required cables to the server.



Route all the cables through the cable-management assembly as shown. Then, use the cable straps **A** to secure the cables to the cable-management assembly.



Slide the server into the rack until the release latches **A** located on the front of the server, snap shut. Then, insert the M6 screws **B** through the release-latch-bracket assembly.

Note: Inserting the M6 screws **B** is optional, unless you are moving the rack or the rack is in a vibration-prone area.

Refer to your server documentation to complete the installation.

Store these instructions with the documentation that comes with your server.



Part Number: 24P2870

Printed in the USA