



@server

325 Type 8835

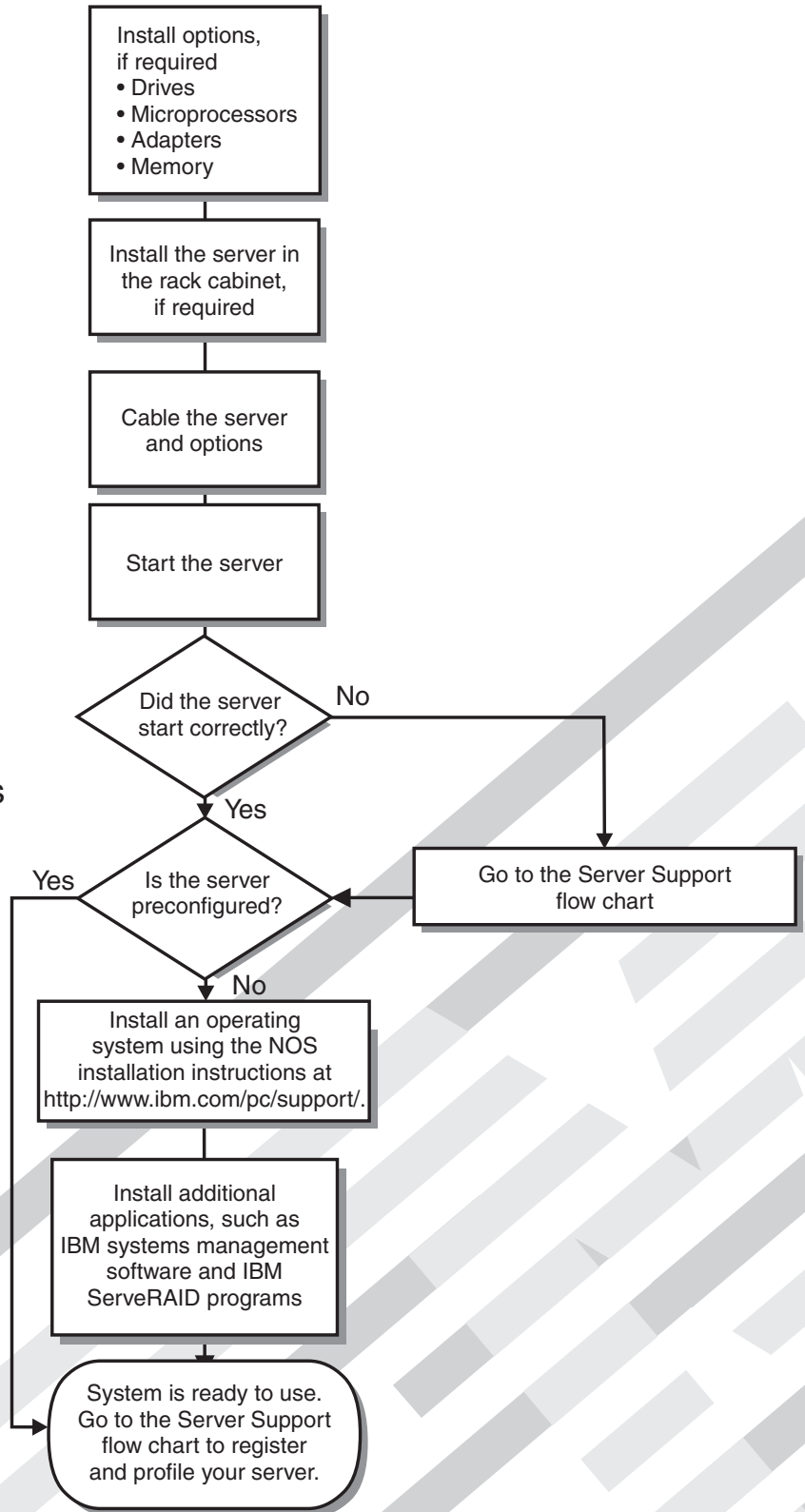
## Installation Guide

### Welcome...

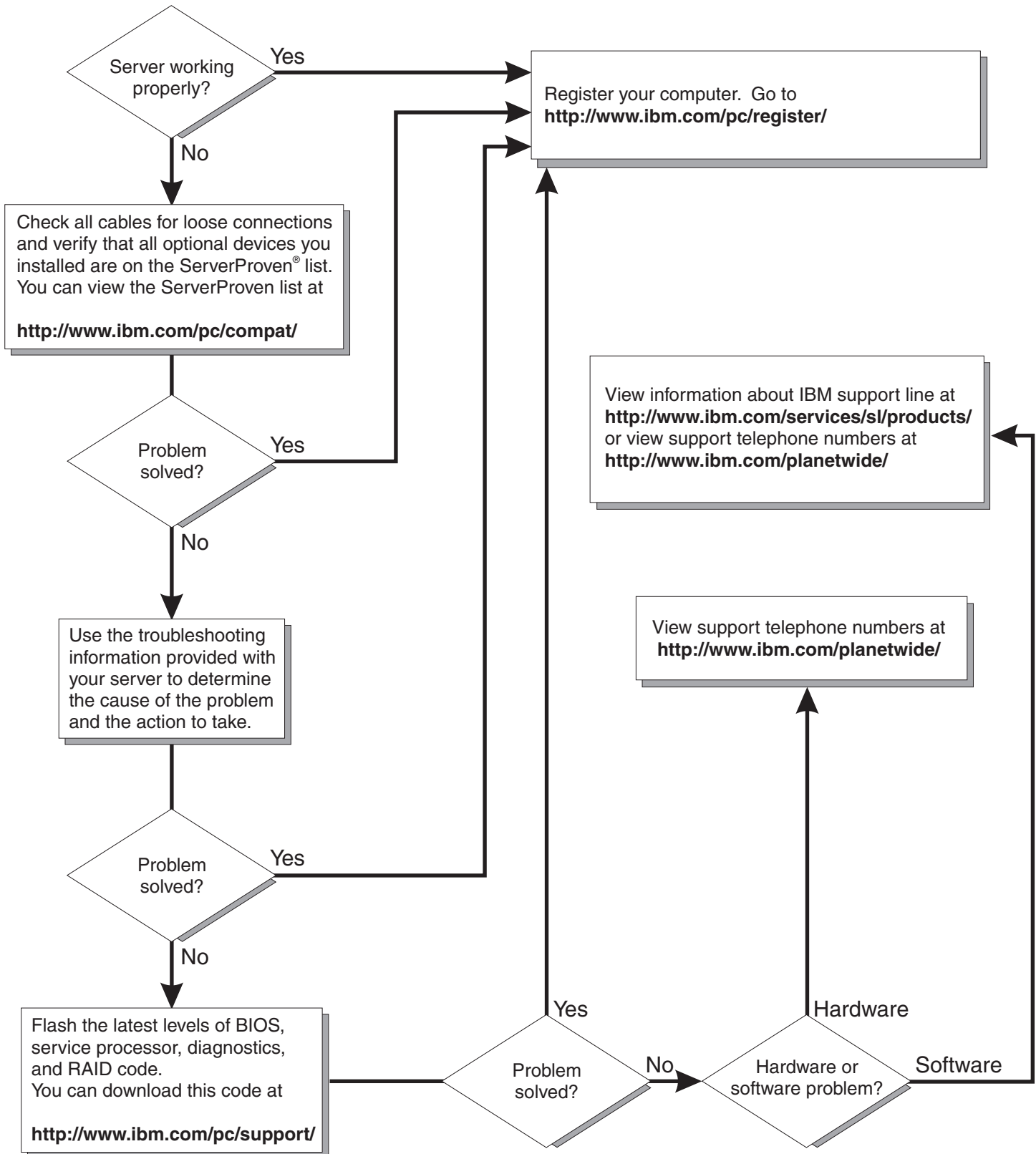
This server *Installation Guide* contains information for setting up and configuring your server.

For detailed information about your server, view the publications on the Documentation CD.

You can also find the most current information about your server on the IBM Web site at: <http://www.ibm.com/pc/support/>.



# Server Support



IBM @server 325 Type 8835



# Installation Guide

**Note:** Before using this information and the product it supports, read the general information in Appendix B, "IBM Statement of Limited Warranty Z125-4753-07 11/2002", on page 51, and Appendix C, "Notices", on page 69.

**First Edition (September 2003)**

**© Copyright International Business Machines Corporation 2003. All rights reserved.**

US Government Users Restricted Rights – Use, duplication or disclosure restricted by GSA ADP Schedule Contract with IBM Corp.

---

# Contents

<b>Safety</b> . . . . .	v
<b>Chapter 1. Introduction</b> . . . . .	1
The IBM @server Documentation CD . . . . .	2
Hardware and software requirements . . . . .	2
Using the Documentation Browser . . . . .	2
Notices and statements used in this publication . . . . .	3
Features and specifications . . . . .	4
Major components of the @server 325 Type 8835 server . . . . .	6
<b>Chapter 2. Installing options</b> . . . . .	7
Installation guidelines . . . . .	7
System reliability guidelines . . . . .	7
Handling static-sensitive devices . . . . .	7
Removing the cover and bezel . . . . .	8
Installing an adapter . . . . .	9
Installing a hard disk drive . . . . .	15
Installing a hot-swap hard disk drive . . . . .	16
Installing a non-hot-swap hard disk drive . . . . .	17
Installing a memory module . . . . .	18
Installing an additional microprocessor . . . . .	20
Completing the installation . . . . .	24
Connecting the cables . . . . .	24
Updating the server configuration . . . . .	25
<b>Chapter 3. Server controls, LEDs, and power</b> . . . . .	27
Front view . . . . .	27
Rear view . . . . .	29
Server power features . . . . .	30
Turning on the server . . . . .	30
Turning off the server . . . . .	30
<b>Chapter 4. Configuring the server</b> . . . . .	33
Installing your operating system . . . . .	33
Using the Configuration/Setup Utility program . . . . .	33
Using the baseboard management controller firmware update program . . . . .	34
Using the RAID configuration programs . . . . .	34
Using the LSI Logic Configuration Utility program . . . . .	35
Using ServeRAID Manager . . . . .	35
Configuring the controller . . . . .	36
Viewing the configuration . . . . .	37
<b>Chapter 5. Solving problems</b> . . . . .	39
Diagnostic tools overview . . . . .	39
POST beep code descriptions . . . . .	39
POST error messages . . . . .	42
Troubleshooting charts . . . . .	43
CD-ROM drive problems . . . . .	43
Diskette drive problems . . . . .	43
Expansion enclosure problems . . . . .	43
General problems . . . . .	43
Hard disk drive problems . . . . .	44
Intermittent problems . . . . .	44

Keyboard, mouse, or pointing-device problems . . . . .	44
Memory problems . . . . .	45
Microprocessor problems . . . . .	45
Monitor problems . . . . .	45
Option problems . . . . .	46
Power problems . . . . .	47
Serial port problems . . . . .	47
Software problems . . . . .	47
Universal Serial Bus device problems . . . . .	48
<b>Appendix A. Getting help and technical assistance . . . . .</b>	<b>49</b>
Before you call . . . . .	49
Using the documentation . . . . .	49
Getting help and information from the World Wide Web . . . . .	49
Software service and support . . . . .	50
Hardware service and support . . . . .	50
<b>Appendix B. IBM Statement of Limited Warranty Z125-4753-07 11/2002 . . . . .</b>	<b>51</b>
Part 1 - General Terms . . . . .	51
Part 2 - Country-unique Terms . . . . .	54
Part 3 - Warranty Information . . . . .	66
<b>Appendix C. Notices . . . . .</b>	<b>69</b>
Edition notice . . . . .	69
Trademarks . . . . .	70
Important notes. . . . .	70
Product recycling and disposal . . . . .	71
Battery return program . . . . .	71
Electronic emission notices . . . . .	72
Federal Communications Commission (FCC) statement . . . . .	72
Industry Canada Class A emission compliance statement . . . . .	72
Australia and New Zealand Class A statement . . . . .	72
United Kingdom telecommunications safety requirement. . . . .	72
European Union EMC Directive conformance statement. . . . .	72
Taiwanese Class A warning statement . . . . .	73
Chinese Class A warning statement . . . . .	73
Japanese Voluntary Control Council for Interference (VCCI) statement . . . . .	73
Power cords . . . . .	73
<b>Index . . . . .</b>	<b>77</b>

## Safety

Before installing this product, read the Safety Information.

قبل تركيب هذا المنتج، يجب قراءة الملاحظات الأمنية

Antes de instalar este produto, leia as Informações de Segurança.

在安装本产品之前，请仔细阅读 **Safety Information** (安全信息)。

安裝本產品之前，請先閱讀「安全資訊」。

Prije instalacije ovog produkta obavezno pročitajte Sigurnosne Upute.

Před instalací tohoto produktu si přečtěte příručku bezpečnostních instrukcí.

Læs sikkerhedsforskrifterne, før du installerer dette produkt.

Lees voordat u dit product installeert eerst de veiligheidsvoorschriften.

Ennen kuin asennat tämän tuotteen, lue turvaohjeet kohdasta Safety Information.

Avant d'installer ce produit, lisez les consignes de sécurité.

Vor der Installation dieses Produkts die Sicherheitshinweise lesen.

Πριν εγκαταστήσετε το προϊόν αυτό, διαβάστε τις πληροφορίες ασφάλειας (safety information).

לפני שתתקינו מוצר זה, קראו את הוראות הבטיחות.

A termék telepítése előtt olvassa el a Biztonsági előírásokat!

Prima di installare questo prodotto, leggere le Informazioni sulla Sicurezza.

製品の設置の前に、安全情報をお読みください。

본 제품을 설치하기 전에 안전 정보를 읽으십시오.

Пред да се инсталира овој продукт, прочитајте информацијата за безбедност.

Les sikkerhetsinformasjonen (Safety Information) før du installerer dette produktet.

Przed zainstalowaniem tego produktu, należy zapoznać się z książką "Informacje dotyczące bezpieczeństwa" (Safety Information).

Antes de instalar este produto, leia as Informações sobre Segurança.

Перед установкой продукта прочтите инструкции по технике безопасности.

Pred inštaláciou tohto zariadenia si pečítajte Bezpečnostné predpisy.

Pred namestitvijo tega proizvoda preberite Varnostne informacije.

Antes de instalar este producto, lea la información de seguridad.

Läs säkerhetsinformationen innan du installerar den här produkten.



**Important:**

All caution and danger statements in this documentation begin with a number. This number is used to cross reference an English caution or danger statement with translated versions of the caution or danger statement in the *IBM Safety Information* book.

For example, if a caution statement begins with a number 1, translations for that caution statement appear in the *IBM Safety Information* book under statement 1.

Be sure to read all caution and danger statements in this documentation before performing the instructions. Read any additional safety information that comes with your server or optional device before you install the device.

**Statement 1:**



**DANGER**

**Electrical current from power, telephone, and communication cables is hazardous.**

**To avoid a shock hazard:**

- **Do not connect or disconnect any cables or perform installation, maintenance, or reconfiguration of this product during an electrical storm.**
- **Connect all power cords to a properly wired and grounded electrical outlet.**
- **Connect to properly wired outlets any equipment that will be attached to this product.**
- **When possible, use one hand only to connect or disconnect signal cables.**
- **Never turn on any equipment when there is evidence of fire, water, or structural damage.**
- **Disconnect the attached power cords, telecommunications systems, networks, and modems before you open the device covers, unless instructed otherwise in the installation and configuration procedures.**
- **Connect and disconnect cables as described in the following table when installing, moving, or opening covers on this product or attached devices.**

**To Connect:**

1. Turn everything OFF.
2. First, attach all cables to devices.
3. Attach signal cables to connectors.
4. Attach power cords to outlet.
5. Turn device ON.

**To Disconnect:**

1. Turn everything OFF.
2. First, remove power cords from outlet.
3. Remove signal cables from connectors.
4. Remove all cables from devices.

**Statement 2:**



**CAUTION:**

**When replacing the lithium battery, use only IBM Part Number 33F8354 or an equivalent type battery recommended by the manufacturer. If your system has a module containing a lithium battery, replace it only with the same module type made by the same manufacturer. The battery contains lithium and can explode if not properly used, handled, or disposed of.**

*Do not:*

- **Throw or immerse into water**
- **Heat to more than 100°C (212°F)**
- **Repair or disassemble**

**Dispose of the battery as required by local ordinances or regulations.**

**Statement 3:**



**CAUTION:**

When laser products (such as CD-ROMs, DVD drives, fiber optic devices, or transmitters) are installed, note the following:

- Do not remove the covers. Removing the covers of the laser product could result in exposure to hazardous laser radiation. There are no serviceable parts inside the device.
- Use of controls or adjustments or performance of procedures other than those specified herein might result in hazardous radiation exposure.



**DANGER**

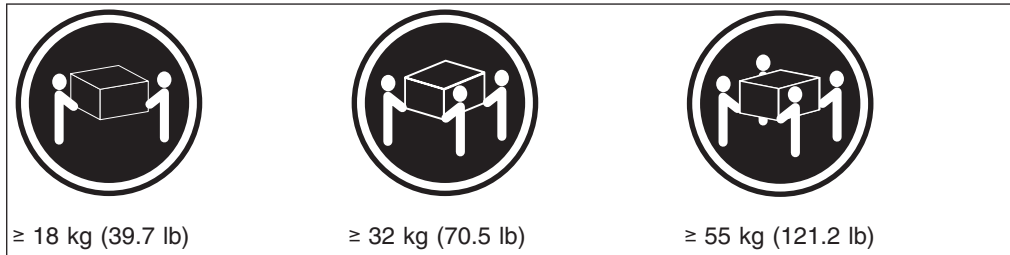
Some laser products contain an embedded Class 3A or Class 3B laser diode. Note the following.

Laser radiation when open. Do not stare into the beam, do not view directly with optical instruments, and avoid direct exposure to the beam.



Class 1 Laser Product  
Laser Klasse 1  
Laser Klass 1  
Luokan 1 Laserlaite  
Appareil A Laser de Classe 1

**Statement 4:**

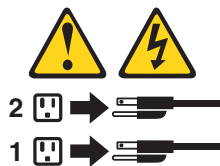


**CAUTION:**  
Use safe practices when lifting.

**Statement 5:**



**CAUTION:**  
The power control button on the device and the power switch on the power supply do not turn off the electrical current supplied to the device. The device also might have more than one power cord. To remove all electrical current from the device, ensure that all power cords are disconnected from the power source.



Statement 8:



**CAUTION:**

Never remove the cover on a power supply or any part that has the following label attached.



Hazardous voltage, current, and energy levels are present inside any component that has this label attached. There are no serviceable parts inside these components. If you suspect a problem with one of these parts, contact a service technician.

Statement 10:



**CAUTION:**

Do not place any object weighing more than 82 kg (180 lb) on top of rack-mounted devices.



**WARNING:** Handling the cord on this product or cords associated with accessories sold with this product, will expose you to lead, a chemical known to the State of California to cause cancer, and birth defects or other reproductive harm. **Wash hands after handling.**

**ADVERTENCIA:** El contacto con el cable de este producto o con cables de accesorios que se venden junto con este producto, pueden exponerle al plomo, un elemento químico que en el estado de California de los Estados Unidos está considerado como un causante de cancer y de defectos congénitos, además de otros riesgos reproductivos. **Lávese las manos después de usar el producto.**



---

## Chapter 1. Introduction

This *Installation Guide* contains instructions for setting up your IBM® @server 325 Type 8835 server and basic instructions for installing some options. More detailed instructions for installing options are in the *Option Installation Guide* on the IBM @server *Documentation CD*, which comes with your server. This publication contains information about:

- Setting up and cabling your server
- Starting and configuring your server
- Installing some options
- Solving problems

Your server might have features that are not described in the documentation that you received with the server. The documentation might be updated occasionally to include information about those features, or technical updates might be available to provide additional information that is not included in your server documentation. These updates are available from the IBM Web site. Complete the following steps to check for updated documentation and technical updates:

1. Go to <http://www.ibm.com/pc/support/>.
2. In the **Learn** section, click **Online publications**.
3. On the “Online publications” page, in the **Brand** field, select **Servers**.
4. In the **Family** field, select **@server 325**.
5. Click **Display documents**.

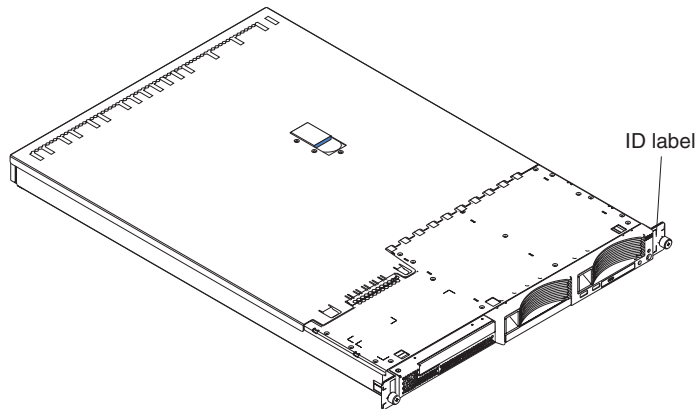
Your server comes with a limited warranty. You can obtain up-to-date information about your server at <http://www.ibm.com/pc/us/eserver/opteron/>. You can obtain information about other IBM server products at <http://www.ibm.com/eserver/xseries/>.

Record information about your server in the following table. You will need this information when you register your server with IBM.

<b>Product name</b>	IBM @server 325
<b>Machine type</b>	8835
<b>Model number</b>	_____
<b>Serial number</b>	_____

The model number and serial number are on the ID label on the right mounting bracket on the server, as shown in the following illustration.

**Note:** This illustration shows a small computer system interface (SCSI) model server. An integrated drive electronics (IDE) non-hot-swap hard disk drive model is also available. This illustration might differ slightly from your hardware.



See the *Rack Installation Instructions* for complete rack installation and removal instructions.

---

## The IBM @server Documentation CD

The IBM @server *Documentation* CD contains documentation for your server in Portable Document Format (PDF) and includes the IBM Documentation Browser to help you find information quickly.

### Hardware and software requirements

The IBM @server *Documentation* CD requires the following minimum hardware and software:

- Microsoft Windows NT 4.0 (with Service Pack 3 or later), Windows 98, Windows 2000, or Red Hat Linux
- 100 MHz microprocessor
- 32 MB of RAM
- Adobe Acrobat Reader 3.0 (or later) or xpdf, which comes with Linux operating systems

**Note:** Acrobat Reader software is included on the CD, and you can install it when you run the Documentation Browser.

### Using the Documentation Browser

Use the Documentation Browser to browse the contents of the CD, read brief descriptions of the books, and view books using Adobe Acrobat Reader or xpdf. The Documentation Browser automatically detects the regional settings in use in your system and displays the books in the language for that region (if available). If a book is not available in the language for that region, the English version is displayed.



Use one of the following procedures to start the Documentation Browser:

- If Autostart is enabled, insert the CD into your CD-ROM drive. The Documentation Browser starts automatically.
- If Autostart is disabled or is not enabled for all users:
  - If you are using a Windows operating system, insert the CD into your CD-ROM drive and click **Start --> Run**. In the **Open** field, type

```
e:\win32.bat
```

where *e* is the drive letter of your CD-ROM drive, and click **OK**.

- If you are using Red Hat Linux, insert the CD into your CD-ROM drive; then, run the following command from the /mnt/cdrom directory:

```
sh runLinux.sh
```

Select your server from the **Product** menu. The **Available Topics** list displays all the books for your server. Some books might be in folders. A plus sign (+) indicates each folder or book that has additional books under it. Click the plus sign to display the additional books.

When you select a book, a description of the book appears under **Topic Description**. To select more than one book, press and hold the Ctrl key while you select the books. Click **View Book** to view the selected book or books in Acrobat Reader or xpdf. If you selected more than one book, all the selected books are opened in Acrobat Reader or xpdf.

To search all the books, type a word or word string in the **Search** field and click **Search**. The books in which the word or word string appears are listed in order of the most occurrences. Click a book to view it, and press Ctrl+F to use the Acrobat search function or Alt+F to use the xpdf search function within the book.

Click **Help** for detailed information about using the Documentation Browser.

---

## Notices and statements used in this publication

The caution and danger statements that appear in this publication are also in the multilingual *Safety Information* publication, which is on the IBM @server *Documentation* CD. Each statement is numbered for reference to the corresponding statement in the *Safety Information* publication.

The following notices and statements are used in this publication:

- **Notes:** These notices provide important tips, guidance, or advice.
- **Important:** These notices provide information or advice that might help you avoid inconvenient or problem situations.
- **Attention:** These notices indicate potential damage to programs, devices, or data. An attention notice is placed just before the instruction or situation in which damage could occur.
- **Caution:** These statements indicate situations that can be potentially hazardous to you. A caution statement is placed just before the description of a potentially hazardous procedure step or situation.
- **Danger:** These statements indicate situations that can be potentially lethal or extremely hazardous to you. A danger statement is placed just before the description of a potentially lethal or extremely hazardous procedure step or situation.

---

## Features and specifications

The following information is a summary of the features and specifications of your server. Depending on your server model, some features might not be available, or some specifications might not apply.

Racks are marked in vertical increments of 1.75 inches. Each increment is referred to as a unit, or “U.” A 1-U-high device is 1.75 inches tall.

Table 1. Features and specifications

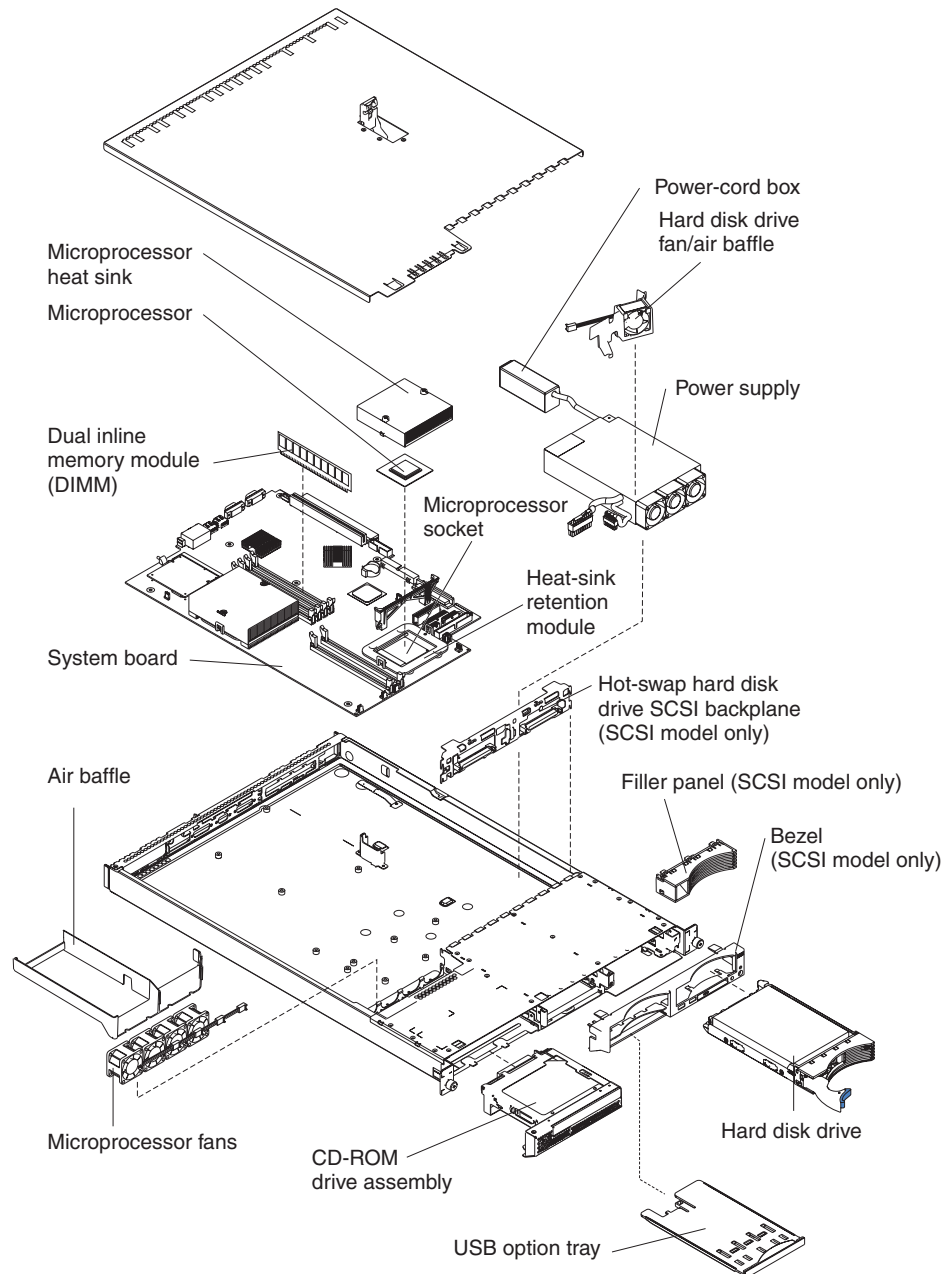
<p><b>Microprocessor:</b></p> <ul style="list-style-type: none"> <li>• AMD Opteron™ processor</li> <li>• 1024 KB Level-2 cache</li> </ul> <p><b>Note:</b> Use the Configuration/Setup Utility program to determine the type and speed of the microprocessors in your server.</p> <p><b>Memory:</b></p> <ul style="list-style-type: none"> <li>• Type: Error correcting code (ECC), double-data rate (DDR) SDRAM, registered DIMMs with Chipkill™ memory protection <ul style="list-style-type: none"> <li>– Minimum: 1 GB</li> <li>– Maximum: 6 GB</li> </ul> </li> <li>• Four interleaved slots with standard microprocessor (required installation in pairs)</li> <li>• Two interleaved slots with optional microprocessor</li> </ul> <p><b>Drives:</b></p> <ul style="list-style-type: none"> <li>• CD-ROM: Slim IDE (standard)</li> <li>• Hard disk drives: <ul style="list-style-type: none"> <li>– Slim-high 3.5-inch drives, hot-swap SCSI or non-hot-swap IDE (drive capacity and speed vary with model)</li> <li>– Maximum: Two</li> </ul> </li> </ul> <p><b>Expansion slots:</b></p> <ul style="list-style-type: none"> <li>• One full-length adapter slot supports up to 100 MHz/64-bit PCI-X adapters (bus 3)</li> <li>• One half-length adapter slot supports up to 100 MHz/64-bit PCI-X adapters (bus 3)</li> <li>• Supports 3.3 V or universal adapters only</li> </ul> <p><b>Video controller:</b></p> <ul style="list-style-type: none"> <li>• ATI RageXL video controller on system board</li> <li>• Compatible with SVGA</li> <li>• 8 MB SDRAM video memory</li> </ul>	<p><b>Power supply:</b></p> <p>One 411 watt (115-230 V ac)</p> <p><b>Size:</b></p> <ul style="list-style-type: none"> <li>• Height: 43 mm (1.69 in.)</li> <li>• Depth: 660 mm (25.98 in.)</li> <li>• Width: 440 mm (17.32 in.)</li> <li>• Weight: approximately 12.7 kg (28 lb) when fully configured</li> </ul> <p><b>Integrated functions:</b></p> <ul style="list-style-type: none"> <li>• Baseboard management controller</li> <li>• One single-channel LSI Ultra320 SCSI controller</li> <li>• Two Broadcom 10/100/1000 Ethernet controllers (dual-port design) with Wake on LAN® support</li> <li>• Four Universal Serial Bus (USB) ports</li> <li>• One serial port</li> <li>• One video port</li> </ul> <p><b>Note:</b> The baseboard management controller is also known as the service processor.</p> <p><b>Acoustical noise emissions:</b></p> <ul style="list-style-type: none"> <li>• Declared sound power, idling: 6.5 bels</li> <li>• Declared sound power, operating: 6.5 bels</li> </ul> <p><b>Environment:</b></p> <ul style="list-style-type: none"> <li>• Air temperature: <ul style="list-style-type: none"> <li>– Server on: 10° to 35°C (50.0° to 95.0°F). Altitude: 0 to 914 m (2998.7 ft)</li> <li>– Server on: 10° to 32°C (50.0° to 89.6°F). Altitude: 914 m (2998.7 ft) to 2133 m (6998.0 ft)</li> <li>– Server off: 10° to 43°C (50.0° to 109.4°F). Maximum altitude: 2133 m (6998.0 ft)</li> </ul> </li> <li>• Humidity: <ul style="list-style-type: none"> <li>– Server on: 8% to 80%</li> <li>– Server off: 8% to 80%</li> </ul> </li> <li>• Airflow rates: <ul style="list-style-type: none"> <li>– Minimum: 28 CFM</li> <li>– Maximum: 47 CFM</li> </ul> </li> </ul>	<p><b>Heat output:</b></p> <p>Approximate heat output in British thermal units (Btu) per hour for dual multiprocessor configurations:</p> <ul style="list-style-type: none"> <li>• Minimum configuration: 409 Btu (120 watts)</li> <li>• Maximum configuration: 1366 Btu (400 watts)</li> </ul> <p><b>Electrical input:</b></p> <ul style="list-style-type: none"> <li>• Sine-wave input (50-60 Hz) required</li> <li>• Input voltage low range: <ul style="list-style-type: none"> <li>– Minimum: 100 V ac</li> <li>– Maximum: 127 V ac</li> </ul> </li> <li>• Input voltage high range: <ul style="list-style-type: none"> <li>– Minimum: 200 V ac</li> <li>– Maximum: 240 V ac</li> </ul> </li> <li>• Input kilovolt-amperes (kVA), approximately: <ul style="list-style-type: none"> <li>– Minimum: 0.120 kVA</li> <li>– Maximum: 0.400 kVA</li> </ul> </li> </ul> <p><b>Notes:</b></p> <ol style="list-style-type: none"> <li>1. Power consumption and heat output vary depending on the number and type of optional features installed and the power-management optional features in use.</li> <li>2. These levels were measured in controlled acoustical environments according to the procedures specified by the American National Standards Institute (ANSI) S12.10 and ISO 7779 and are reported in accordance with ISO 9296. Actual sound-pressure levels in a given location might exceed the average values stated because of room reflections and other nearby noise sources. The declared sound-power levels indicate an upper limit, below which a large number of computers will operate.</li> </ol>
---	--	--

## Major components of the @server 325 Type 8835 server

The blue color on components and labels indicates touch points, where a component can be gripped, a latch moved, and so on.

The following illustration shows the locations of major components in a SCSI hot-swap hard disk drive model server. An IDE non-hot-swap hard disk drive model is also available.

**Note:** The illustrations in this publication might differ slightly from your hardware.



---

## Chapter 2. Installing options

This chapter provides basic instructions for installing hardware options in your server. These instructions are intended for users who are experienced with setting up IBM server hardware. If you need more detailed instructions, see the *Option Installation Guide* on the IBM @server Documentation CD.

---

### Installation guidelines

Before you begin installing options in your server, read the following information:

- Read the safety information beginning on page v, and the guidelines in “Handling static-sensitive devices”. This information will help you work safely with your server and options.
- Make sure that you have an adequate number of properly grounded electrical outlets for your server, monitor, and other devices that you will connect to the server.
- Back up all important data before you make changes to disk drives.
- Have a small flat-blade screwdriver available.
- You do not need to turn off the server to install or replace hot-swap power supplies, hot-swap fans, or hot-plug Universal Serial Bus (USB) devices.
- The orange color on components and labels identifies hot-swap or hot-plug components. You can install or remove hot-swap and hot-plug components while the server is running, provided that the server is configured to support this capability. See the instructions in this chapter for more information about removing and installing hot-swap and hot-plug components.
- The blue color on components and labels indicates touch points, where a component can be gripped, a latch moved, and so on.
- For a list of supported options for your server, go to <http://www.ibm.com/pc/us/compat/>

### System reliability guidelines

To help ensure proper system cooling and system reliability, make sure that:

- Each of the drive bays has a drive or a filler panel and electromagnetic compatibility (EMC) shield installed in it.
- There is adequate space around the server to allow the server cooling system to work properly. Leave approximately 50 mm (2.0 in.) of open space around the front and rear of the server. Do not place objects in front of the fans.
- You have followed the cabling instructions that come with optional adapters.
- You have replaced a failed fan as soon as possible.

### Handling static-sensitive devices

**Attention:** Static electricity can damage electronic devices, including your server. To avoid damage, keep static-sensitive devices in their static-protective packages until you are ready to install them.

To reduce the possibility of damage from electrostatic discharge, observe the following precautions:

- Limit your movement. Movement can cause static electricity to build up around you.
- Handle the device carefully, holding it by its edges or its frame.

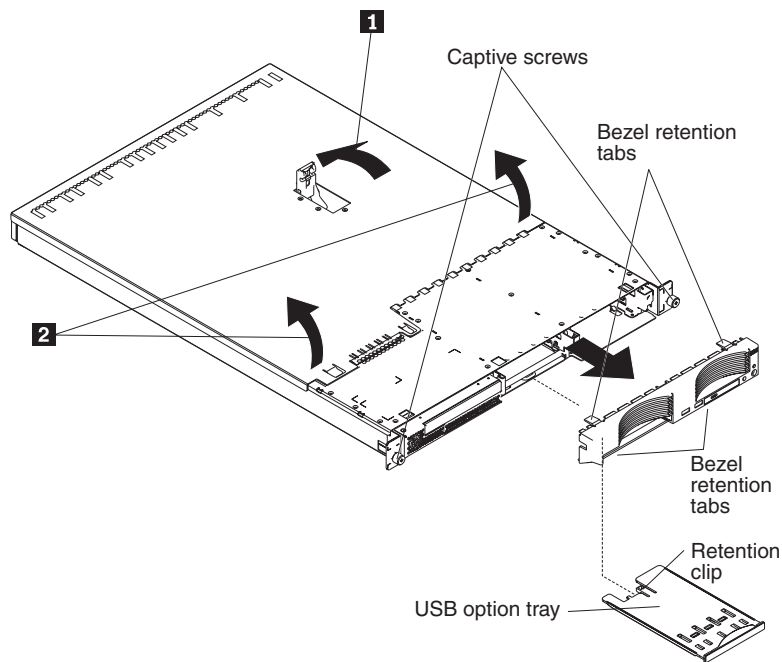
- Do not touch solder joints, pins, or exposed circuitry.
- Do not leave the device where others can handle and damage it.
- While the device is still in its static-protective package, touch it to an unpainted metal part of the server for at least 2 seconds. This drains static electricity from the package and from your body.
- Remove the device from its package and install it directly into the server without setting down the device. If it is necessary to set down the device, put it back into its static-protective package. Do not place the device on your server cover or on a metal surface.
- Take additional care when handling devices during cold weather. Heating reduces indoor humidity and increases static electricity.

---

## Removing the cover and bezel

Complete the following steps to remove the cover and bezel (with the server out of the rack):

1. Read the safety information beginning on page v, and “Installation guidelines” on page 7.
2. Turn off the server and all attached peripheral devices. Disconnect all power cords; then, disconnect all external signal cables from the server.
3. Lift the cover release latch. The cover slides to the rear approximately 13 mm (0.5 inch).



4. Slide the cover back, and lift the cover off the server.  
**Attention:** For proper cooling and airflow, replace the cover before turning on the server. Operating the server for extended periods of time (more than 30 minutes) with the cover removed will damage server components.
5. Press in on the USB option tray (below hard disk drive bay 1) to release it and slide the tray out until it stops; then, press the retention clip at the bottom rear of the tray and remove the tray from the server.

**Note:** You need to remove the USB option tray and the bezel only if you are installing a non-hot-swap hard disk drive. It is not necessary if you are installing other options in the server.

6. Press on the bezel retention tabs on the top, right side and bottom of the server, and pull the bezel directly away from the server.

---

## Installing an adapter

The following notes describe the types of adapters that your server supports and other information that you must consider when installing an adapter:

- Read the documentation that comes with your operating system.
- Locate the documentation that comes with the adapter and follow those instructions in addition to the instructions in this chapter. If you need to change switch settings or jumper settings on the adapter, follow the instructions that come with the adapter.
- The server comes with two 64-bit 100 MHz peripheral component interconnect-extended (PCI-X) adapter expansion slots on the system board. The server is designed specifically for PCI-X adapter support, but it also supports PCI adapters.
- The expansion slots support both 32-bit and 64-bit adapters. You can install half-length adapters in slot 2. You can install full-length adapters in slot 1.

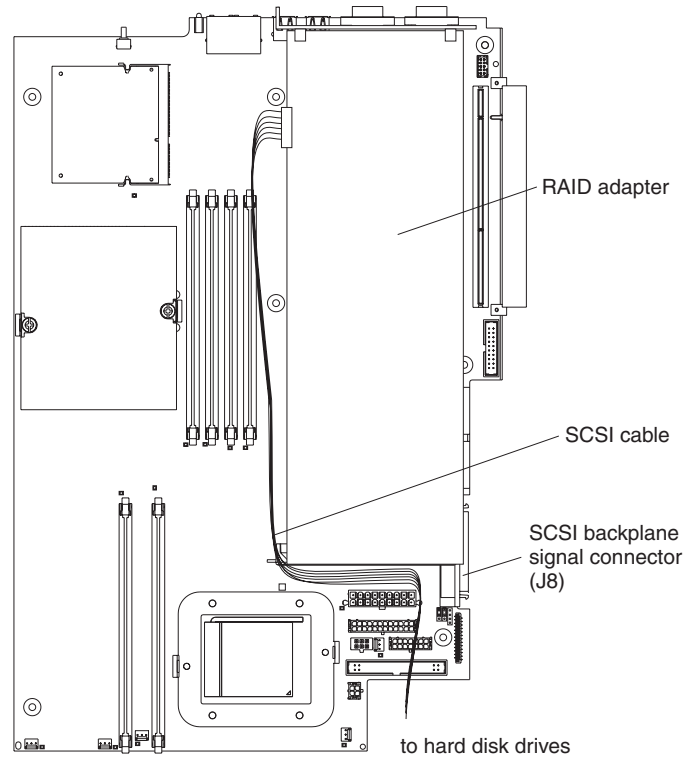
**Note:** If you install both 32-bit and 64-bit adapters, the PCI bus will operate at the slower speed.

- The server supports 3.3 V and universal PCI and PCI-X adapters; it does not support 5.0-V-only adapters.
- The integrated video controller is on PCI bus 1. The integrated Ethernet controllers and the integrated SCSI controller are on PCI-X bus 2. PCI-X slot 1 and PCI-X slot 2 are on PCI-X bus 3.
- The server scans PCI-X slots 1 and 2 to assign system resources. By default, the server starts (boots) devices in the following order: system IDE and SCSI devices; then, PCI and PCI-X devices.

**Note:** To change the boot precedence for PCI and PCI-X devices you must disable the devices through the Configuration/Setup Utility program. Start the Configuration/Setup Utility program and select **Startup** from the main menu. Then, select **Startup Sequence** and use the arrow keys to specify the startup order. For more information, see “Using the Configuration/Setup Utility program” on page 33 and the *User's Guide* on the IBM @server Documentation CD.

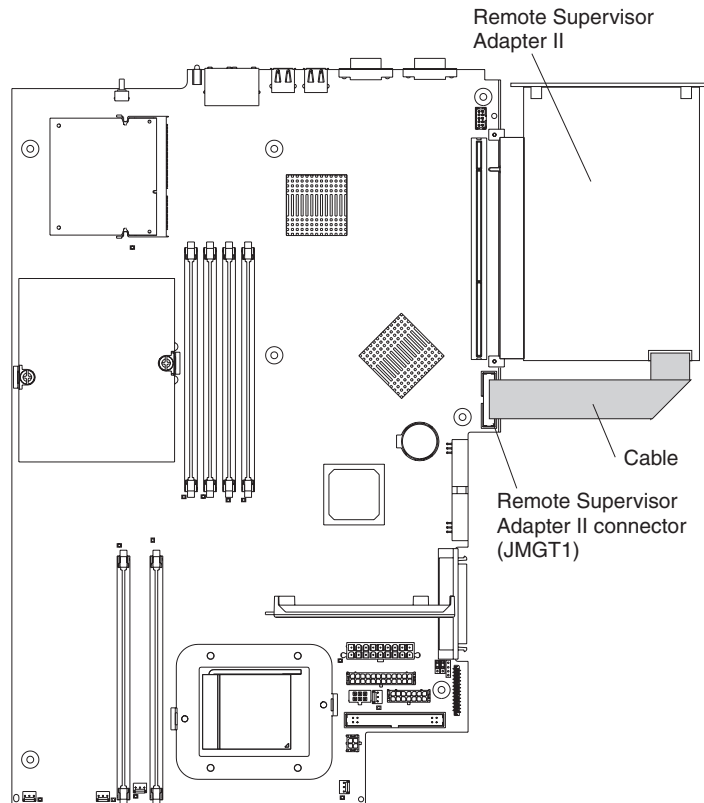
- If you plan to install either an optional SCSI adapter or an optional redundant array of independent disks (RAID) adapter, you can install it in either of the PCI-X slots if the size of the adapter permits. The server supports a variety of RAID adapters for both internal and external configurations. For the most current list of supported RAID adapters, go to <http://www.ibm.com/pc/us/compat/>. For details about installing a RAID adapter, see the documentation that comes with the adapter.

- If you plan to use a RAID adapter to control internal hot-swap hard disk drives, disconnect the SCSI cable from the SCSI backplane signal connector (SCSI1) on the system board and connect it to the RAID adapter. The following illustration shows the cable routing if you are installing the RAID adapter in PCI-X slot 1. See the documentation that comes with the RAID adapter for any additional cabling instructions. That documentation also provides information about installing the RAID software and configuring the RAID adapter.



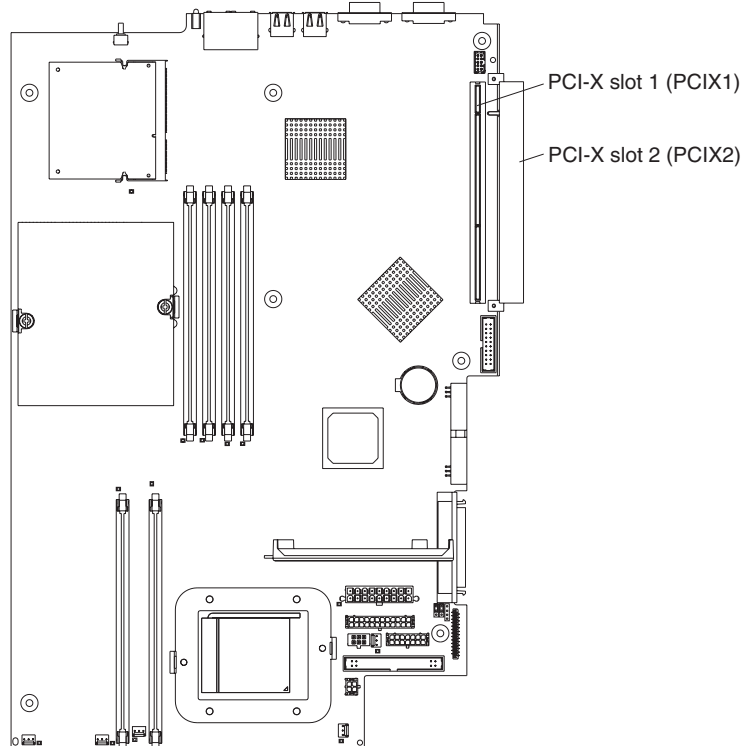


- If you plan to install an optional IBM Remote Supervisor Adapter II (when available), install it in PCI-X slot 2. Use the ribbon cable that comes with the Remote Supervisor Adapter II to connect the 20-pin connector on the rear edge of the adapter to the Remote Supervisor Adapter II connector (JMGT1) on the system board. For details about installing a Remote Supervisor Adapter II, see the documentation that comes with the adapter. The following illustration shows the cable routing.

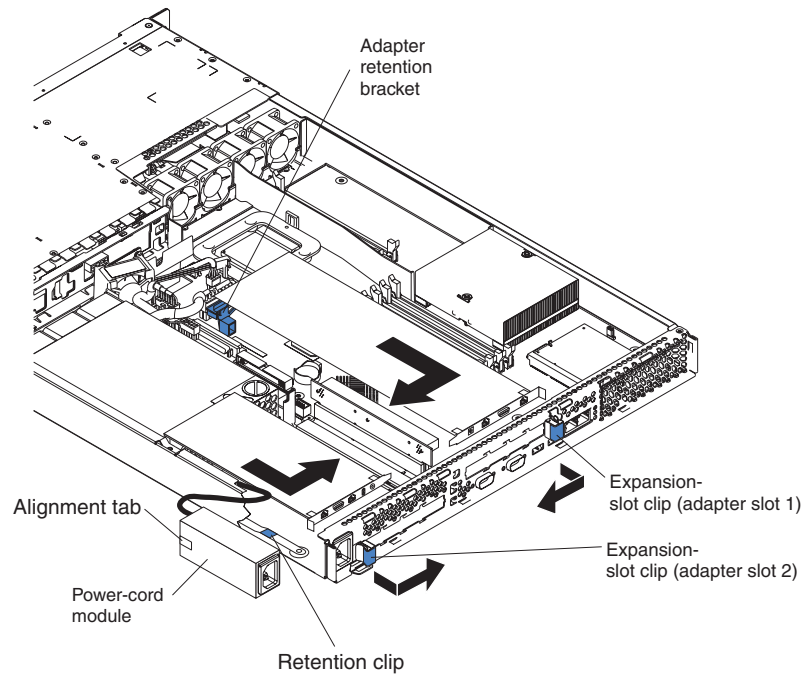


Complete the following steps to install an adapter:

1. Read the safety information beginning on page v, and “Installation guidelines” on page 7.
2. Turn off the server and peripheral devices, and disconnect the power cords and all external cables.
3. Remove the server cover (see “Removing the cover and bezel” on page 8).
4. Determine which PCI-X slot you will use for the adapter.

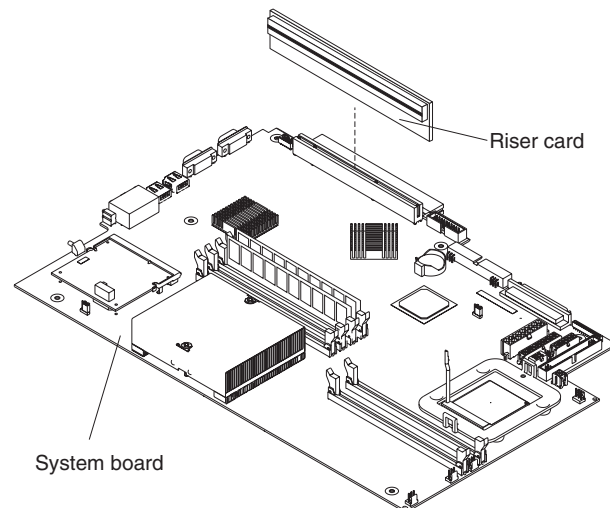


5. On the rear panel, squeeze the expansion-slot clip to unlock the clip; then, pull the clip out from the server until it stops and rotate the clip as shown in the following illustration. It remains loosely attached to the server.



**Attention:** Avoid touching the components and gold-edge connectors on the adapter. Make sure that the adapter is completely and correctly seated in the slot. Incomplete insertion might cause damage to the system board or to the adapter.

6. Remove the expansion slot cover from the slot.
7. To gain access to PCI-X slot 1, remove the PCI riser card from its connector.



8. To gain access to PCI-X slot 2, remove the power-cord module:
  - a. Press down on the retention clip at the front of the power-cord module and slide the module toward the front of the server until the alignment tab is free of the slot on the side of the server.
  - b. Lift and place the power-cord module out of the server as far as the power supply cable permits.

9. Install the adapter.

**Attention:** When you handle static-sensitive devices, take precautions to avoid damage from static electricity. For information about handling these devices, see “Handling static-sensitive devices” on page 7.

- a. Remove the adapter from the static-protective package and set any jumpers or switches on the adapter as directed by the adapter manufacturer. If you are installing a full-length adapter, you might have to remove a plastic bracket secured to the adapter with two screws before installing the adapter.

**Attention:** When you install an adapter, make sure that the adapter is correctly seated in the connector before you turn on the server. Improperly seated adapters might cause damage to the system board, the riser card, or the adapter.

- b. If you are installing an adapter in PCI-X slot 1, attach the PCI riser card to the adapter. Reinstall the PCI riser card with the adapter already attached to the PCI riser card.
  - c. Grasp the adapter by its top edge or upper corners, align it with the connector, and press it *firmly* into the connector.
10. Slide the expansion-slot clip toward the server until it snaps into place to secure the adapter in the adapter slot.
11. Connect any internal cables to the adapter. See the instructions that come with the adapter for details.

**Attention:** Make sure that the cables do not block the flow of air from the fans.

12. If you removed the power-cord module to install the adapter in PCI-X slot 2, install the module by reversing the procedure in step 8a on page 13. Make sure that the alignment tab is fully seated in the slot on the side of the server.
13. If you installed the adapter in PCI-X slot 1, secure the adapter by flexing the adapter-retention bracket toward the front of the server and inserting the front corners of the adapter into the recesses in the latch.

14. Perform any configuration tasks required for the adapter.

If you installed a Remote Supervisor Adapter II, see the documentation that comes with the Remote Supervisor Adapter II for information about installing the Remote Supervisor Adapter II firmware and configuring the adapter. After you initially configure the adapter, create a backup copy of the configuration so that if you need to replace the adapter in the future, you can restore the configuration and resume normal operation more quickly.

15. If you have other options to install, install them now. Otherwise, go to “Completing the installation” on page 24.

---

## Installing a hard disk drive

The following notes describe the types of hard disk drives that your server supports and other information that you must consider when installing a hard disk drive:

- The server supports two 25.4-mm (1-inch), slim, 3.5-inch hard disk drives. SCSI server models come with a hot-swap SCSI backplane.
- The SCSI server models support low voltage differential (LVD) hot-swap drives. Each hot-swap drive is in a tray, which has a green activity LED and an amber status LED in the upper-right corner. These LEDs are lit if the drive is active and, in some cases, if the drive fails. Each hot-swap drive has a single-connector-attached (SCA) connector, which is connected directly into the hot-swap SCSI backplane. The backplane is attached to connector J12 on the system board and controls the SCSI IDs for the hot-swap drives.

**Note:** The drive in bay 1 is assigned SCSI ID 0; the drive in bay 2 is assigned SCSI ID 1.

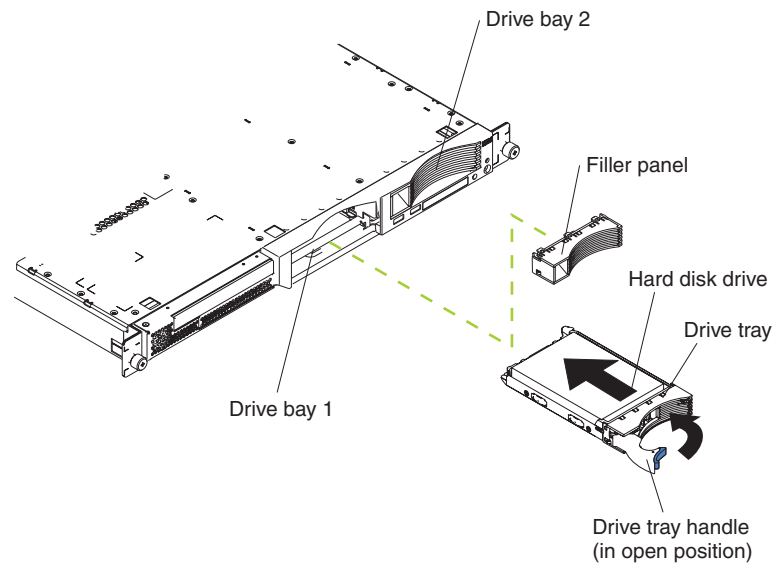
- A non-hot-swap hard disk drive does not require a backplane or tray and it does not have indicator LEDs. However, you must attach the blue rails that come with the drive before installing it in the server.
- A non-hot-swap hard disk drive has a jumper block on the rear. Install a jumper in the cable-selection position of the jumper block. For details, see the notes under step 4 on page 17, and the documentation that comes with the drive.
- If you install only one hard disk drive, for faster startup, install it in the primary startup device bay. For hot-swap SCSI drives, the drive in bay 1 is the primary startup device. For IDE drives, the drive in bay 2 is the primary startup device.
- If you are installing a hot-swap drive, continue with “Installing a hot-swap hard disk drive” on page 16. If you are installing a non-hot-swap drive, go to “Installing a non-hot-swap hard disk drive” on page 17.

## Installing a hot-swap hard disk drive

Before you install a hot-swap hard disk drive, review the following information:

- Inspect the drive tray for signs of damage.
- Make sure that the drive is correctly installed in the tray.
- If your server has an optional RAID adapter, see the documentation that comes with the adapter for instructions for installing a hard disk drive.

Complete the following steps to install a hot-swap SCSI hard disk drive:



1. Read the safety information beginning on page v, and “Installation guidelines” on page 7.
2. Remove the filler panel from the applicable drive bay.

**Note:** To ensure adequate system cooling, do not operate the server for more than 2 minutes without either a hard disk drive or a filler panel installed in each bay.

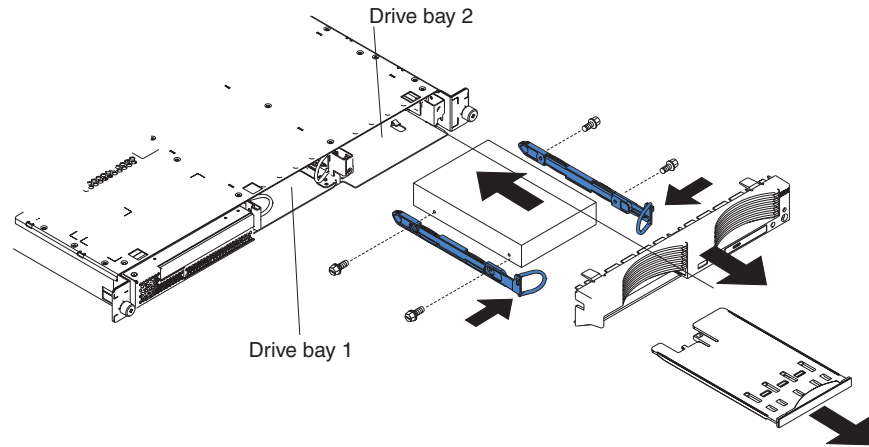
3. Install the new hard disk drive in the drive bay.
4. Check the hard disk drive status LED and activity LED to verify that the drive is operating correctly.
5. If you have other options to install, install them now. Otherwise, go to “Completing the installation” on page 24.

## Installing a non-hot-swap hard disk drive

Before you install a non-hot-swap hard disk drive, read the following information:

- See the documentation that comes with the drive for cabling instructions.
- Route the cable *before* you install the drive. Do not block the airflow from the fans.

Complete the following steps to install a non-hot-swap hard disk drive:



1. Read the safety information beginning on page v, and “Installation guidelines” on page 7.
2. Turn off the server and peripheral devices, and disconnect the power cords and all external cables.
3. Remove the server cover (see “Removing the cover and bezel” on page 8).
4. Press in on the USB option tray to release it and slide the tray out until it stops; then, press the retention clip at the bottom rear of the tray and remove the tray from the server. Press on the bezel retention tabs and pull the bezel directly away from the server.

### Notes:

- a. If you have only one non-hot-swap hard disk drive, install it in the right-hand bay (bay 2) with a jumper installed in the cable-selection-enabled position of the jumper block on the rear of the drive.
  - b. If you have two drives and you want the server to determine the master drive and subordinate drive automatically, install jumpers in the cable-selection-enabled position of the jumper block on both drives.
  - c. If you want to assign master and subordinate drives manually, install a jumper in the master position for the drive in bay 2 and install a jumper in the subordinate position for the drive in bay 1.
5. Install the hard disk drive in the drive bay:
    - a. Attach the rails to the sides of the drive using two screws for each rail.
    - b. Slide the drive into the bay until the rail latches snap into place.
    - c. Connect the signal and power cables to the rear of the drive. Keep the cables clear of the airflow path of the fan behind the drive bays.
  6. If you have other options to install, install them now. Otherwise, go to “Completing the installation” on page 24.

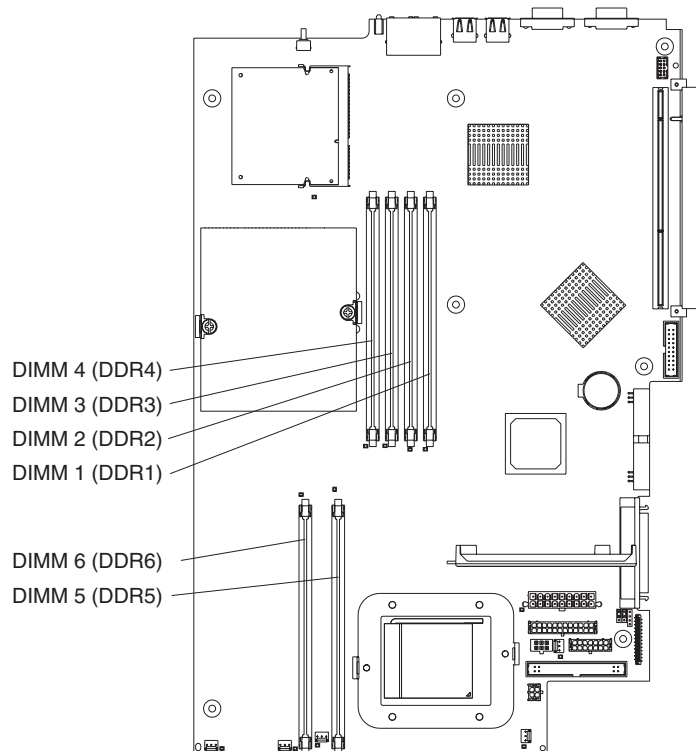
## Installing a memory module

The following notes describe the types of dual inline memory modules (DIMMs) that your server supports and other information that you must consider when installing DIMMs:

- Your server uses interleaved dual inline memory modules (DIMMs), which you must add, remove, or replace in pairs. Each pair must be of the same type, capacity, and speed. The server comes with one pair of DIMMs installed in DIMM slots 1 and 2 on the system board.
- You can increase the amount of memory in the server through one of the following methods:
  - Replacing the installed DIMMs with higher-capacity DIMMs
  - Installing an additional pair of DIMMs in slots 3 and 4 for a single microprocessor configuration
  - Installing an additional pair of DIMMs in slots 5 and 6 for a dual-microprocessor configuration

**Note:** For optimal dual-microprocessor performance, install DIMMs in slots 1, 2, 5, and 6.

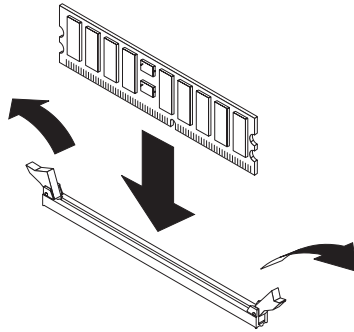
- The server supports 512 MB and 1 GB DIMMs. See the ServerProven<sup>®</sup> list at <http://www.ibm.com/pc/us/compat/> for a list of memory modules that are supported by the server. The following illustration shows the memory slots on the system board.





Complete the following steps to install DIMMs:

1. Read the safety information beginning on page v, and “Installation guidelines” on page 7.
2. Turn off the server and peripheral devices, and disconnect the power cords and all external cables.
3. Remove the server cover (see “Removing the cover and bezel” on page 8).  
**Attention:** To avoid breaking the retaining clips or damaging the DIMM connectors, open and close the clips gently.
4. Open the retaining clip on each end of the DIMM connector.
5. Touch the static-protective package containing the DIMM to any unpainted metal surface on the server. Then, remove the DIMM from the package.
6. Turn the DIMM so that the DIMM keys align correctly with the slot.



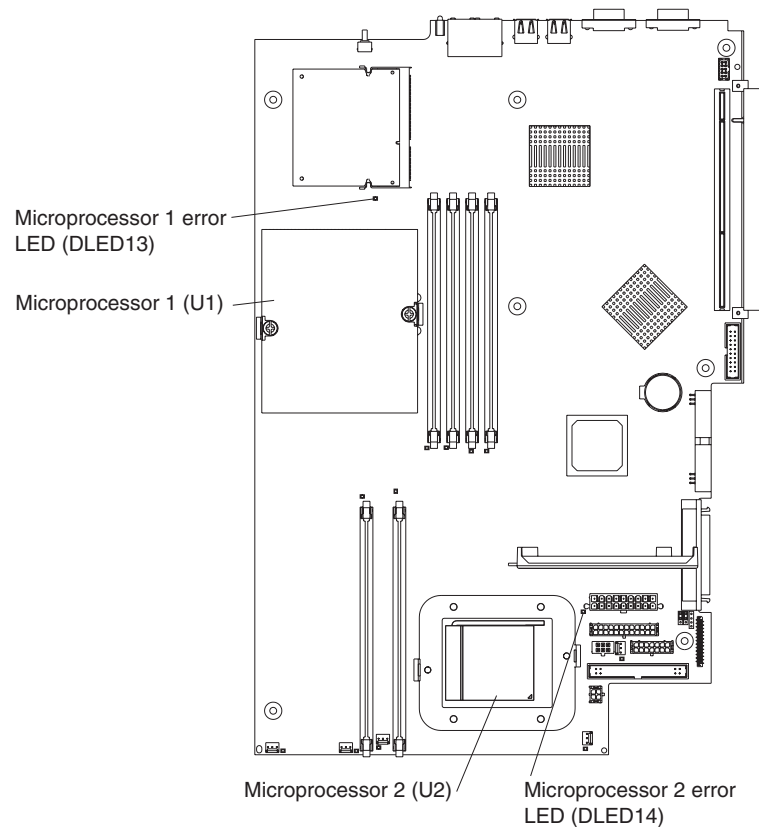
7. Insert the DIMM into the connector by aligning the edges of the DIMM with the slots at the ends of the DIMM connector. Firmly press the DIMM straight down into the connector by applying pressure on both ends of the DIMM simultaneously. The retaining clips snap into the locked position when the DIMM is firmly seated in the connector. If there is a gap between the DIMM and the retaining clips, the DIMM has not been correctly inserted; open the retaining clips, remove the DIMM, and then reinsert it.  
**Important:** In some memory configurations, the 3-3-3 beep code might sound during POST, followed by a blank monitor screen. If this occurs and the **Boot Summary Screen**, **Boot Diagnostic Screen**, or **QuickBoot Mode** feature on the **Boot Features** menu of the Configuration/Setup Utility program is enabled (its default setting), you must restart the server three times to force the basic input/output system (BIOS) to reset the configuration to the default configuration (the memory connectors enabled).
8. If you have other options to install, install them now. Otherwise, go to “Completing the installation” on page 24.

---

## Installing an additional microprocessor

The following notes describe the type of microprocessor that your server supports and other information that you must consider when installing a microprocessor:

- The server comes with one microprocessor installed. The following illustration shows the two microprocessor sockets on the system board. The voltage regulator modules (VRMs) for microprocessors 1 and 2 are on the system board.



- If one microprocessor is installed, it is installed in microprocessor socket 1 (U1) and supports both the startup and application processes.
- If you install a second microprocessor in the server, the server operates as a symmetric multiprocessing (SMP) server, and operating-system application programs can distribute the processing load between the microprocessors. This enhances performance for database and point-of-sale applications, integrated manufacturing solutions, and other applications. Microprocessor 2 is installed in socket 2 (U2).
- Read the documentation that comes with the microprocessor to determine whether you need to update the BIOS code. The most current level of BIOS code for the server is available at <http://www.ibm.com/pc/support/>. For additional information, see the *User's Guide* on the IBM @server Documentation CD.
- To use SMP, obtain an SMP-capable operating system. For a list of supported operating systems, go to <http://www.ibm.com/pc/us/compat/>.

**Attention:** To avoid damage and to ensure proper server operation, review the following information before you install a microprocessor:

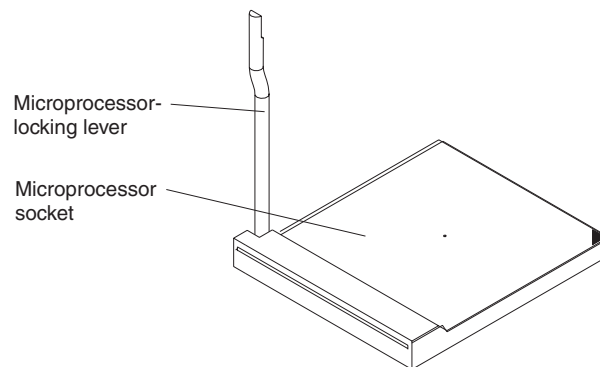
- Make sure that the microprocessors are the same type, have the same cache size, and have the same clock speed.
- See the ServerProven list at <http://www.ibm.com/pc/us/compat/> for a list of microprocessors that are supported by the server.

Complete the following steps to install a microprocessor:

1. Read the safety information beginning on page v, and “Installation guidelines” on page 7.
2. Turn off the server and peripheral devices, and disconnect the power cords and all external cables.
3. Remove the server cover (see “Removing the cover and bezel” on page 8); then, determine the socket where the microprocessor is to be installed.

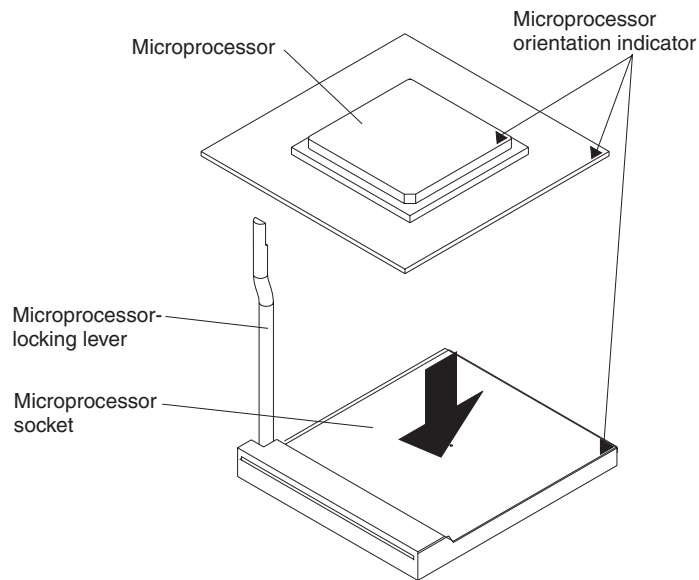
**Attention:**

- Avoid touching the components and gold-edge connectors on the microprocessor. Make sure that the microprocessor is completely and correctly seated in the socket. Incomplete insertion might cause damage to the system board or to the microprocessor.
  - When you handle static-sensitive devices, take precautions to avoid damage from static electricity. For information about handling these devices, see “Handling static-sensitive devices” on page 7.
4. If you are installing a microprocessor in the microprocessor 2 socket, lift the microprocessor-locking lever to the open position.



5. Install the microprocessor:
  - a. Touch the static-protective package containing the new microprocessor to any *unpainted* metal surface on the server; then, remove the microprocessor from the package.
  - b. Position the microprocessor over the microprocessor socket as shown in the following illustration. Carefully press the microprocessor into the socket.

**Attention:** To avoid bending the pins on the microprocessor, do not use excessive force when pressing it into the socket.



6. Close the microprocessor-locking lever to secure the microprocessor.

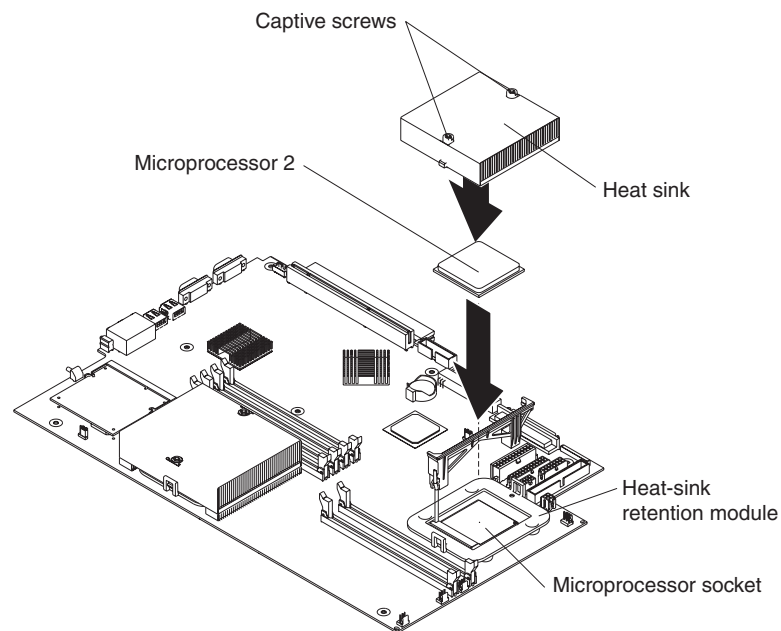
**Note:** A new microprocessor comes in a kit with a heat sink.

7. Install the heat sink.

**Attention:** Do not disturb or contaminate the thermal material on the bottom of the new heat sink. Doing so damages its heat-conducting capability and exposes the new microprocessor to overheating.

- a. Remove the heat sink from its package and remove the cover from the bottom of the heat sink.
- b. Make sure that the thermal material is still on the bottom of the heat sink, and position the heat sink on top of the microprocessor.
- c. Align the captive screws on the heat sink with the holes on the heat-sink retention module.
- d. Press firmly on the captive screws and tighten them, alternating between screws until they are tight. Do not overtighten the screws by using excessive force.

**Attention:** If you need to remove the heat sink after installing it, note that the thermal material might have formed a strong bond between the heat sink and the microprocessor. Do not force the heat sink and microprocessor apart; doing so can damage the microprocessor pins. Loosening one captive screw fully before loosening the other captive screw helps break the bond between the components without damaging them.



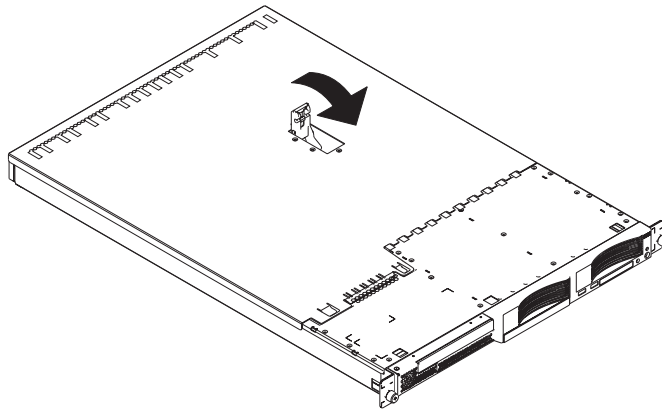
8. If you have other options to install, install them now. Otherwise, continue with “Completing the installation” on page 24.

---

## Completing the installation

Complete the following steps to complete the installation:

1. Position the internal cables so they do not interfere with the cover installation.  
**Attention:** Before sliding the cover forward, make sure that all the tabs on both the front and rear of the cover engage the chassis correctly. If all the tabs do not engage the chassis correctly, it will be very difficult to remove the cover later.
2. Position the cover on top of the server and slide it forward. Press down on the cover latch. The cover slides forward into position. Make sure that the cover engages the tabs at the front and rear of the server.



3. If you removed the bezel, position the bezel directly in front of the server and press it into place so that the retention tabs snap into the holes on the top, right side, and bottom of the server.
4. If you removed the USB option tray, insert it fully into the slot below hard disk drive bay 1.
5. Install the server in the rack. For details, see the *Rack Installation Instructions* that come with the server.
6. To attach peripheral devices and connect the power cord, continue with “Connecting the cables”.

**Note:** If you installed a SCSI drive, check the LEDs to verify proper operation after you reconnect the power cord.

## Connecting the cables

This section provides basic information about attaching peripheral devices such as a keyboard and pointing device to the server.

For detailed information about external options and how to connect them to your server, see the documentation that comes with these options. For the location of external ports and connectors on the server, see the *User’s Guide* on the IBM @server *Documentation CD*.

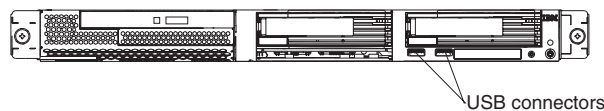
Depending on the options that you installed, after cabling the server, you might need to run the Configuration/Setup Utility program to update the server configuration. For more information, see “Updating the server configuration” on page 25 and the *User’s Guide* on the IBM @server *Documentation CD*.

To attach non-USB devices to the server, use the cables that come with the devices and connect the cables to the appropriate ports on the server.

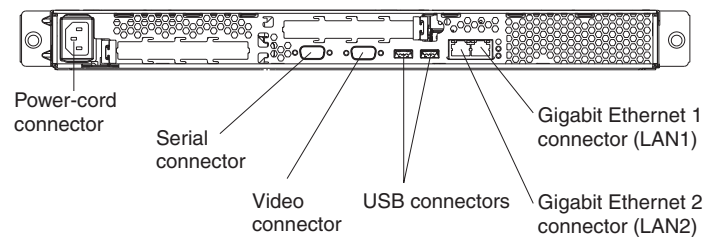
To attach a USB device to the server, use the cable that comes with the device and connect the cable to one of the four USB ports on the server.

- If you want to attach a keyboard or mouse to this server, you must use a USB keyboard or a USB mouse. After installing a USB keyboard, you might need to use the Configuration/Setup Utility program to enable keyboardless operation and prevent POST error message 301 from being displayed during startup. For detailed information about the USB keyboard and how to connect it to your server, see the documentation that comes with the USB keyboard. For information about the Configuration/Setup Utility program, see the *User's Guide* on the IBM @server Documentation CD.
- You might want to create update diskettes that contain the latest baseboard management controller firmware and BIOS code. Use an external USB diskette drive if you want to attach a diskette drive to this server. For information about updating the baseboard management controller firmware, see "Using the baseboard management controller firmware update program" on page 34. For information about updating the BIOS code, see the *User's Guide* on the IBM @server Documentation CD.

The following illustration shows the USB connectors on the front of the server.



The following illustration shows the input/output connectors on the rear of the server.



## Updating the server configuration

When you start the server for the first time after you add or remove an internal option or external SCSI device, you might receive a message that the configuration has changed. The Configuration/Setup Utility program starts automatically so that you can save the new configuration settings. For more information, see the section about configuring the server in the *User's Guide* on the IBM @server Documentation CD.

Some options have device drivers that you must install. See the documentation that comes with each option for information about installing device drivers.

The server comes with at least one microprocessor on the system board. If more than one microprocessor is installed, the server can operate as an SMP server. You might have to upgrade the operating system to support SMP. For more information, see the operating-system documentation.

If the server has an optional RAID adapter and you have installed or removed a hard disk drive, see the documentation that comes with the RAID adapter for information about configuring disk arrays.

If you have just installed a Remote Supervisor Adapter II to manage the server remotely, see the documentation that comes with the adapter for information about setting up, configuring, and using the adapter.

For information about configuring the integrated Gigabit Ethernet controllers, see the *User's Guide* on the IBM *@server Documentation CD*.



---

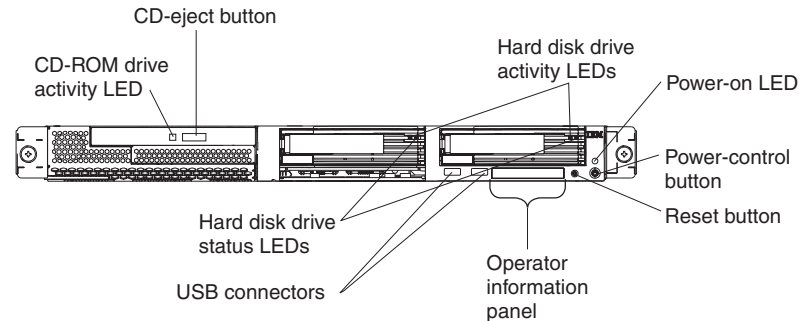
## Chapter 3. Server controls, LEDs, and power

This section describes the controls, light-emitting diodes (LEDs), and connectors. It also explains how to turn the server on and off.

---

### Front view

The following illustration shows the controls, LEDs, and connectors on the front of the server.



**CD-ROM drive activity LED:** When this LED is lit, it indicates that the CD-ROM drive is in use.

**CD-eject button:** Press this button to release a CD from the CD-ROM drive.

**Hard disk drive activity LEDs:** When one of these LEDs is flashing, it indicates that the associated SCSI hard disk drive is in use.

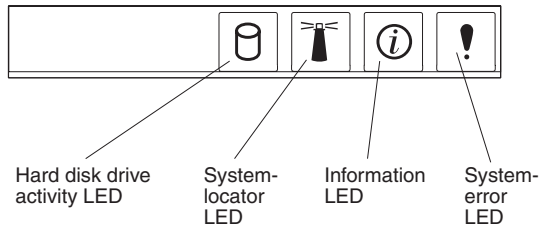
**Power-on LED:** When this LED is lit and not flashing, it indicates that the server is turned on. When this LED is flashing, it indicates that the server is turned off and still connected to an ac power source. When this LED is off, it indicates that ac power is not present, or the power supply or the LED itself has failed. A power-on LED is also on the rear of the server.

**Note:** If this LED is off, it does not mean that there is no electrical power in the server. The LED might be burned out. To remove all electrical power from the server, you must disconnect the power cord from the electrical outlet.

**Power-control button:** Press this button to turn the server on and off manually.

**Reset button:** Press this button to reset the server and run the power-on self-test (POST). You might have to use a pen or the end of a straightened paper clip to press the button.

**Operator information panel:** This panel contains LEDs. The following illustration shows the LEDs on the operator information panel.



The following LEDs are on the operator information panel:

- **Hard disk drive activity LED:** When this LED is lit, it indicates that either of the hard disk drives is in use.
- **System-locator LED:** Use this blue LED to visually locate the server if it is in a location with numerous other servers. If your server supports IBM Director, you can use IBM Director to light this LED remotely.
- **Information LED:** When this LED is lit, it indicates that a noncritical event has occurred and is recorded in the error log. An LED near the failing component on the system board is also lit to help isolate the error.
- **System-error LED:** When this LED is lit, it indicates that a system error has occurred. A system-error LED is also on the rear of the server. An LED near the failing component on the system board is also lit to help isolate the error.

**USB connectors:** Connect USB devices to these connectors.

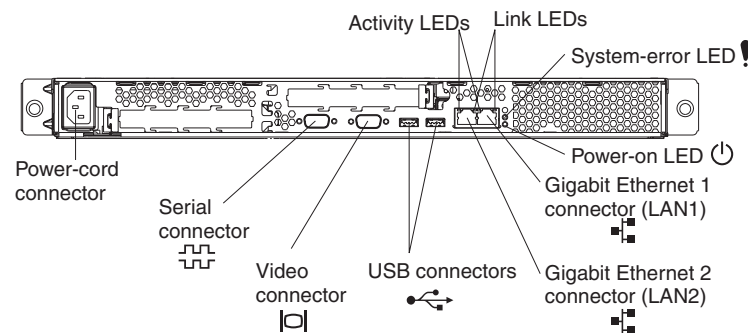
**Hard disk drive status LEDs:** On some server models, each hot-swap hard disk drive has a status LED. If the status LED for a drive is lit continuously, that individual drive is faulty. The interpretation of a flashing status LED depends on the SCSI controller that is connected to the hot-swap drive, as follows:

- When the drive is connected to the integrated SCSI controller with RAID capabilities, a flashing status LED indicates that the drive is a secondary drive in a mirrored pair and the drive is being synchronized.
- When the drive is connected to an optional ServeRAID™ controller, a slowly flashing (one flash per second) status LED indicates that the drive is being rebuilt. When the LED is flashing rapidly (three flashes per second), it indicates that the controller is identifying the drive.

---

## Rear view

The following illustration shows the connectors and LEDs on the rear of the server.



**Power-cord connector:** Connect the power cord to this connector.

**Activity LEDs (Ethernet):** These green LEDs are on the dual Ethernet connector. When either LED flashes, it indicates that data is being transmitted or received between the server and the network device that is connected to the left or right connector. The flashing frequency is proportional to the amount of traffic on the network link.

**Link LEDs (Ethernet):** These LEDs are on the dual Ethernet connector. When either LED is lit, it indicates that there is an active link between the server and the network device that is connected to the left or right connector.

**System-error LED:** When this LED is lit, it indicates that a system error has occurred. An LED near the failing component on the system board is also lit to help isolate the error. A system-error LED is also on the front of the server.

**Power-on LED:** When this LED is lit and not flashing, it indicates that the server is turned on. When this LED is flashing, it indicates that the server is turned off and still connected to an ac power source. When this LED is off, it indicates that ac power is not present, or the power supply or the LED itself has failed. A power-on LED is also on the front of the server.

**Note:** If this LED is off, it does not mean that there is no electrical power in the server. The LED might be burned out. To remove all electrical power from the server, you must disconnect the power cord from the electrical outlet.

**Gigabit Ethernet 1 (LAN 1) connector:** Use this connector to connect the server to a network.

**Gigabit Ethernet 2 (LAN 2) connector:** Use this connector to connect the server to a network.

**USB connectors:** Connect USB devices to these connectors.

**Video connector:** Connect a monitor to this connector.

**Serial connector:** Connect a 9-pin serial device to this connector.

If you have an optional Remote Supervisor Adapter II (system-management adapter) installed in PCI-X slot 2, your server has additional connectors and LEDs. See the documentation that comes with the adapter for more information about these connectors and LEDs.

---

## Server power features

When the server is connected to an ac power source but is not turned on, the operating system does not run, and all core logic except for the service processor (also called the baseboard management controller) is shut down; however, the server can respond to requests from the service processor, such as a remote request to turn on the server. The power-on LED flashes to indicate that the server is connected to ac power but not turned on.

## Turning on the server

Approximately 20 seconds after the server is connected to ac power, the power-control button becomes active, and you can turn on the server and start the operating system by pressing the power-control button.

The server can also be turned on in any of the following ways:

- If a power failure occurs while the server is turned on, the server will restart automatically when power is restored.
- If the server is connected to an Advanced System Management interconnect network that contains at least one server with an optional Remote Supervisor Adapter II installed, the server can be turned on from the Remote Supervisor Adapter II user interface.
- If your operating system supports the system-management software for an optional Remote Supervisor Adapter II, the system-management software can turn on the server.
- If your operating system supports the Wake on LAN feature, the Wake on LAN feature can turn on the server.

## Turning off the server

When you turn off the server and leave it connected to ac power, the server can respond to requests from the service processor, such as a remote request to turn on the server. To remove all power from the server, you must disconnect it from the power source.

Some operating systems require an orderly shutdown before you turn off the server. See your operating-system documentation for information about shutting down the operating system.

**Statement 5:**



**CAUTION:**

The power control button on the device and the power switch on the power supply do not turn off the electrical current supplied to the device. The device also might have more than one power cord. To remove all electrical current from the device, ensure that all power cords are disconnected from the power source.



The server can be turned off in any of the following ways:

- You can turn off the server from the operating system, if your operating system supports this feature. After an orderly shutdown of the operating system, the server will be turned off automatically.
- You can press the power-control button to start an orderly shutdown of the operating system and turn off the server, if your operating system supports this feature.
- If the operating system stops functioning, you can press and hold the power-control button for more than 4 seconds to turn off the server.
- If the server is connected to an Advanced System Management interconnect network that contains at least one server with an optional Remote Supervisor Adapter II installed, the server can be turned off from the Remote Supervisor Adapter II user interface.
- If an optional Remote Supervisor Adapter II is installed in the server, the server can be turned off from the Remote Supervisor Adapter II user interface.
- If the Wake on LAN feature turned on the server, the Wake on LAN feature can turn off the server.
- The service processor can turn off the server as an automatic response to a critical system failure.
- You can turn off the server through a request from the service processor.



---

## Chapter 4. Configuring the server

You can use the following configuration programs to customize the server hardware:

- Configuration/Setup Utility program
- Baseboard management controller firmware update program
- RAID configuration programs
  - LSI Logic Configuration Utility program
  - ServeRAID Manager

For more information about these programs, see “Configuring your server” in the *User’s Guide* on the IBM @server *Documentation CD*.

---

### Installing your operating system

After you configure the server hardware, complete the following steps to download the latest operating-system installation instructions from the IBM Support Web page:

1. Go to <http://www.ibm.com/pc/support/>.
2. In the **Download** section, click **Downloads & drivers**.
3. On the “Downloads and drivers” page, in the **Brand** field, select **Servers**.
4. In the **Family** field, select **@server 325**.
5. Click **Display documents**.
6. In the **View by document type** field, select **OS installation**.
7. Select the instructions for your operating system.

---

### Using the Configuration/Setup Utility program

The Configuration/Setup Utility program is part of the BIOS code. You can use it to:

- Change the startup drive sequence
- Configure serial-port assignments
- Enable USB keyboard and mouse support (default)
- Set advanced hardware features
- Set the date and time
- Set passwords
- Set power-management features

Complete the following steps to start the Configuration/Setup Utility program:

1. Turn on the server and watch the monitor screen.
2. When the message **Press F1 for Configuration/Setup** appears, press F1. If a supervisor (administrator) password has been set, you must type the supervisor password to access the full Configuration/Setup Utility menu.
3. Follow the instructions on the screen.

---

## Using the baseboard management controller firmware update program

To update the firmware for the baseboard management controller, download the baseboard management controller *Firmware Update Diskette* for your server from the IBM Support Web site at <http://www.ibm.com/pc/support/>. Run the program to create a diskette or to create the Linux or Windows® operating-system update package that you can use to update the firmware. The firmware update program updates the baseboard management controller firmware only and does not affect any device drivers.

**Note:** To ensure proper server operation, be sure to update the baseboard management controller firmware code first before updating the BIOS code. For additional information, see the *User's Guide* on the IBM @server *Documentation CD*.

**Important:** Before you continue with the following instructions, make sure that you have an external USB diskette drive attached to the server. You will need this device to complete these tasks.

To update the firmware, use one of the following methods:

- If the Linux or Windows operating-system update package is available from the World Wide Web and you have obtained the applicable update package, follow the instructions that come with the update package.
- If you are using a diskette, complete the following steps:
  1. Turn off the server.
  2. Insert the *Firmware Update Diskette* into an external USB diskette drive that you have attached to the server.
  3. Turn on the server. If the server does not start from the external USB diskette drive, use the Configuration/Setup Utility program to configure the external USB diskette drive as a startup device. (For more information, see the information about Configuration/Setup Utility startup sequences in the *User's Guide* on the IBM @server *Documentation CD*). Then, start again at step 1 of this procedure.
  4. From a command-line prompt, type `update.bat` and press Enter.

If there is an error in updating the firmware, try installing the firmware again.

---

## Using the RAID configuration programs

Use the LSI Logic Configuration Utility program and ServeRAID Manager to configure and manage redundant array of independent disks (RAID) arrays. Be sure to use these programs as described in this book.

- Use the LSI Logic Configuration Utility program to:
  - Perform a low-level format on a SCSI hard disk drive
  - View or change SCSI IDs for attached devices
  - Set SCSI protocol parameters on SCSI hard disk drives
- Use ServeRAID Manager to:
  - Configure arrays
  - View your RAID configuration and associated devices
  - Monitor operation of your RAID controllers



In addition, an LSI command-line configuration program (CFG1030) is available from <http://www.ibm.com/pc/support/>.

Consider the following information when using the LSI Logic Configuration Utility program and ServeRAID Manager to configure and manage arrays:

- If your server has a ServeRAID controller installed, you can use ServeRAID Manager to configure the integrated SCSI controller with RAID capabilities for other supported RAID levels.
- When you create a RAID level-1 (mirrored) pair, all drives must be on the same channel.
- You can set up a mirror after the operating system is installed on the primary drive only if you are using the integrated SCSI controller with RAID capabilities. You must make sure that the primary drive has the lower SCSI ID (for example, 0).
- To update the firmware and BIOS codes for an optional ServeRAID controller, you must use the IBM *ServeRAID Support* CD that comes with the controller.
- If you install a different type of RAID controller, see the documentation that comes with the controller for information about viewing and changing SCSI settings for attached devices.

**Important:** If you use the integrated SCSI controller with RAID capabilities to configure a RAID level-1 (mirrored) array after you install the operating system, you will lose access to any data or applications that were previously stored on the secondary physical drive of the mirrored pair.

## Using the LSI Logic Configuration Utility program

Complete the following steps to start the LSI Logic Configuration Utility program:

1. Turn on the server and watch the monitor screen.
2. When the message <<< Press <CTRL><C> to start LSI Logic Configuration Utility >>> appears, press Ctrl+C. If a supervisor password has been set, you are prompted to type the password.
3. Use the arrow keys to select a controller (channel) from the list of adapters; then, press Enter.
4. Follow the instructions on the screen to change the settings of the selected items; then, press Enter. If you select **Device Properties** or **Mirroring Properties**, additional screens are displayed.

## Using ServeRAID Manager

An IBM ServeRAID adapter enables you to configure multiple physical SCSI hard disk drives to operate as logical drives in a disk array. The adapter comes with a CD containing the ServeRAID Manager program and the ServeRAID Mini-Configuration program, which you can use to configure the ServeRAID controller.

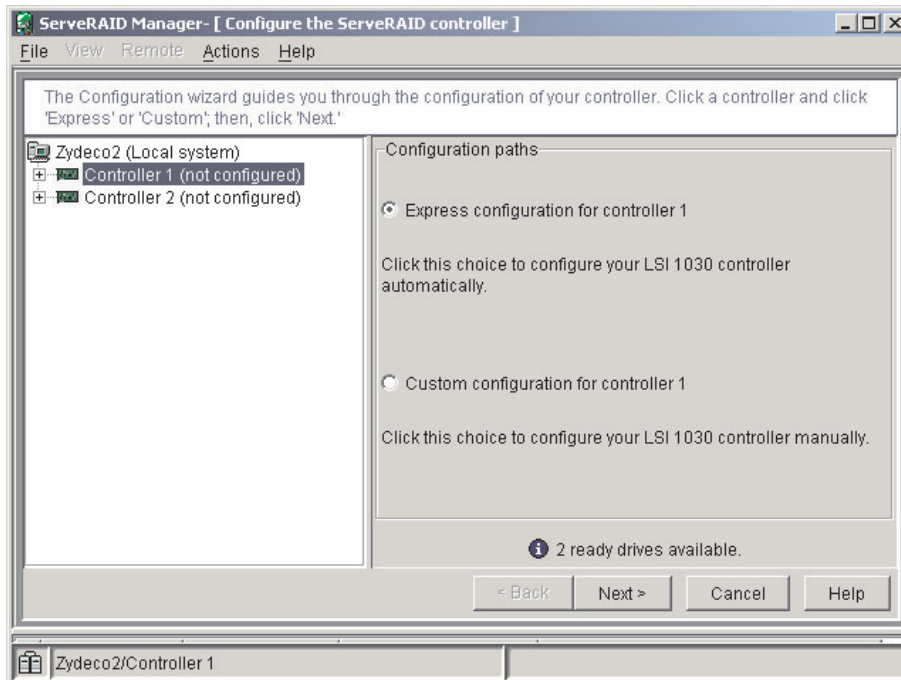
To perform some tasks, you can run ServeRAID Manager as an installed program. However, to configure the integrated SCSI controller with RAID capabilities and perform an initial RAID configuration on your server, you must run ServeRAID Manager in Startable CD mode, as described in the instructions in this section. If you install a different type of RAID adapter in your server, use the configuration method described in the instructions that come with that adapter to view or change SCSI settings for attached devices.

See the ServeRAID documentation on the *IBM ServeRAID Support CD* for additional information about RAID technology and instructions for using ServeRAID Manager to configure your integrated SCSI controller with RAID capabilities. Additional information about ServeRAID Manager is also available from the **Help** menu. For information about a specific object in the ServeRAID Manager tree, select the object and click **Actions** → **Hints and tips**.

## Configuring the controller

By running ServeRAID Manager in Startable CD mode, you can configure the controller before you install your operating system. The information in this section assumes that you are running ServeRAID Manager in Startable CD mode.

To run ServeRAID Manager in Startable CD mode, turn on the server; then, insert the CD into the CD-ROM drive. If ServeRAID Manager detects an unconfigured controller and ready drives, the Configuration wizard starts, and a window similar to that shown in the following illustration opens.





In the Configuration wizard, you can select express configuration or custom configuration. Express configuration automatically configures the controller by grouping the first two physical drives in the ServeRAID Manager tree into an array and creating a RAID level-1 logical drive. If you select custom configuration, you can select the two physical drives that you want to group into an array.

**Using express configuration:** Complete the following steps to use express configuration:

1. In the ServeRAID Manager tree, click the controller.
2. Click **Express configuration**.
3. Click Next. The “Configuration summary” window opens.
4. Review the information in the “Configuration summary” window. To change the configuration, click **Modify arrays**.

5. Click **Apply**; then, click **Yes** when asked if you want to apply the new configuration. The configuration is saved in the controller and in the physical drives.
6. Exit from ServeRAID Manager and remove the CD from the CD-ROM drive.
7. Restart the server.

**Using custom configuration:** Complete the following steps to use custom configuration:

1. In the ServeRAID Manager tree, click the controller.
2. Click **Custom configuration**.
3. Click **Next**. The “Create arrays” window opens.
4. From the list of ready drives, select the two drives that you want to group into the array.
5. Click  >> (Add selected drives) to add the drives to the array.
6. If you want to configure a hot-spare drive, complete the following steps:
  - a. Click the Spares tab.
  - b. Select the physical drive that you want to designate as the hot-spare drive, and click  >> (Add selected drives).
7. Click **Next**. The “Configuration summary” window opens.
8. Review the information in the “Configuration summary” window. To change the configuration, click **Back**.
9. Click **Apply**; then, click **Yes** when asked if you want to apply the new configuration. The configuration is saved in the controller and in the physical drives.
10. Exit from ServeRAID Manager and remove the CD from the CD-ROM drive.
11. Restart the server.

### **Viewing the configuration**

You can use ServeRAID Manager to view information about RAID controllers and the RAID subsystem (such as arrays, logical drives, hot-spare drives, and physical drives). When you click an object in the ServeRAID Manager tree, information about that object appears in the right pane. To display a list of available actions for an object, click the object and click **Actions**.



---

## Chapter 5. Solving problems

This chapter provides basic troubleshooting information to help you resolve some common problems that might occur while you are setting up your server.

If you cannot locate and correct the problem using the information in this chapter, see Appendix A, “Getting help and technical assistance”, on page 49, the *Hardware Maintenance Manual and Troubleshooting Guide* on the IBM @server Documentation CD, and the “Server Support” flowchart in the front of this book.

---

### Diagnostic tools overview

The following tools are available to help you diagnose and solve hardware-related problems:

- **POST beep codes**

The power-on self-test beep codes indicate the detection of a problem.

- One beep indicates successful completion of POST, with no errors.
- More than one beep indicates that POST detected a problem. Error messages also appear during startup if POST detects a hardware-configuration problem. See “POST beep code descriptions” and the *Hardware Maintenance Manual and Troubleshooting Guide* on the IBM @server Documentation CD for more information.

- **Troubleshooting charts**

These charts list problem symptoms and steps to correct the problems. See “Troubleshooting charts” on page 43 for more information.

- **Diagnostic programs and error messages**

The server-diagnostic programs are provided on the *IBM Enhanced Diagnostics* CD that comes with your server. These programs test the major components of your server. See the *Hardware Maintenance Manual and Troubleshooting Guide* on the IBM @server Documentation CD for more information.

---

### POST beep code descriptions

POST emits one beep to signal successful completion. If POST detects a problem during startup, other beep codes might occur. Use the following beep code descriptions to help identify and solve problems that are detected during startup.

**Note:** See the *Hardware Maintenance Manual and Troubleshooting Guide* on the IBM @server Documentation CD for more information about the POST beep codes.

**One beep**

POST was completed successfully.

**Repeating long beeps**

A memory error has occurred. Make sure that all DIMMs are correctly installed.

**One long beep and two short beeps**

A video error has occurred, and the BIOS code cannot initialize the monitor screen to display additional information.

**Other beep codes**

Additional beep codes are listed in the following table.

Table 2. POST beep code descriptions

Beep code	Description	Action
None	Undetermined error.	Call for service.
1 beep	POST was completed successfully. One beep also occurs after POST if you type an incorrect password.	None required.
2 beeps	Undetermined error.	Follow the instructions on the screen.
Repeating beeps	The system board might contain a failing component.	<ul style="list-style-type: none"> <li>• Make sure that the keyboard and pointing devices are connected correctly.</li> <li>• Make sure that nothing is resting on the keyboard.</li> <li>• Disconnect the pointing device; then, restart the server. If the problem goes away, replace the pointing device. If the problem remains, call for service.</li> </ul>
1-1-2	Microprocessor register test has failed.	Call for service.
1-1-3	Complementary metal oxide semiconductor (CMOS) write/read test has failed.	
1-1-4	BIOS read-only memory (ROM) checksum has failed.	
1-2-1	Programmable Interval Timer test has failed.	
1-2-2	Direct memory access (DMA) initialization has failed.	
1-2-3	DMA page register write/read test has failed.	
1-2-4	Random-access memory (RAM) refresh verification has failed.	Reseat the memory modules or install a memory module. If the problem remains, call for service.
1-3-1	First 64 Kb RAM test has failed.	
1-3-2	First 64 Kb RAM parity test has failed.	
1-4-3	Interrupt vector loading test has failed.	Call for service.
2-1-1	Secondary DMA register test has failed.	
2-1-2	Primary DMA register test has failed.	
2-1-3	Primary interrupt mask register test has failed.	
2-1-4	Secondary interrupt mask register test has failed.	
2-2-1	Interrupt vector loading has failed.	
2-2-2	Keyboard controller test has failed.	
2-2-3	CMOS power failure and checksum checks have failed.	
2-2-4	CMOS configuration information validation has failed.	

Table 2. POST beep code descriptions (continued)

Beep code	Description	Action
2-3-1	Screen initialization has failed.	Turn off the server, disconnect all power cords, and reconnect all power cords; then, restart the server. If the problem remains, call for service.
2-3-2	Screen memory test has failed.	Call for service.
2-3-3	Screen retrace tests have failed.	
2-3-4	Search for video ROM has failed.	
2-4-1	Screen test indicates the screen is operable.	
3-1-1	Timer tick interrupt test has failed.	
3-1-2	Interval timer channel 2 test has failed.	
3-1-3	RAM test has failed above address hex 0FFFF.	
3-1-4	Time-of-Day clock test has failed.	
3-2-1	Serial port test has failed.	
3-2-2	Parallel port test has failed.	
3-2-4	Comparison of CMOS memory size against actual has failed.	
3-3-1	A memory size mismatch has occurred.	Reseat the memory modules or install a memory module. If the problem remains, call for service.
3-3-2	I <sup>2</sup> C bus has failed.	Turn off the server, disconnect all power cords, and reconnect all power cords; then, restart the server. If the problem remains, call for service.
3-3-3	No memory has been detected in the server.	Reseat the memory modules or install a memory module. If the problem remains, call for service. <b>Note:</b> In some memory configurations, the 3-3-3 beep code might sound during POST followed by a blank monitor screen. If this occurs and the <b>Boot Summary Screen</b> , <b>Boot Diagnostic Screen</b> , or <b>QuickBoot Mode</b> feature on the <b>Boot Features</b> menu of the Configuration/Setup Utility program is enabled (its default setting), you must restart the server three times to force the BIOS to reset the configuration to the default configuration (the memory connectors enabled).

## POST error messages

The following table provides an abbreviated list of the error messages that might appear during POST. See the *Hardware Maintenance Manual and Troubleshooting Guide* on the IBM @server Documentation CD for more information about the POST error messages.

Table 3. Abbreviated list of POST error messages

POST message	Failing device or problem found	Suggested action
161	The real-time clock battery has failed.	Replace the battery or call for service.
162	A device configuration has changed.	<ul style="list-style-type: none"><li>• Run the Configuration/Setup Utility program; then, exit, saving the configuration settings.</li><li>• Make sure that optional devices are turned on and installed correctly.</li></ul>
163	The time of day has not been set.	Set the date and time.
201	The memory configuration has changed.	Make sure that DIMMs are fully seated and installed correctly.
289	A failing DIMM was disabled.	Make sure that DIMMs are supported by your server and that they are installed correctly.
301, 303	Keyboard and keyboard controller	Make sure that the keyboard cable is connected and that nothing is resting on the keyboard keys.
962	Parallel port configuration error	Run the Configuration/Setup Utility program and make sure that the parallel port setting is correct.
1162	Serial port configuration conflict	Run the Configuration/Setup Utility program and make sure that the IRQ and I/O port assignments needed by the serial port are available.
00019xxx	Microprocessor <i>x</i> is not functioning or failed the built-in self-test.	Make sure that microprocessor <i>x</i> is installed correctly. If the problem remains, replace microprocessor <i>x</i> .
00180xxx	A PCI adapter requested a resource that is not available.	Run the Configuration/Setup Utility program and make sure that the resources needed by the PCI adapter are available.
012980xx 012981xx	Data for microprocessor <i>x</i>	Download and install the latest level of BIOS code.
I9990305	POST could not find an operating system.	Install an operating system.



---

## Troubleshooting charts

The following tables list problem symptoms and suggested solutions. See the *Hardware Maintenance Manual and Troubleshooting Guide* on the IBM @server Documentation CD for more detailed troubleshooting charts. If you cannot find the problem in the troubleshooting charts, run the diagnostic programs. If you have run the diagnostic test programs, or if running the tests does not reveal the problem, call for service.

### CD-ROM drive problems

Symptom	Suggested action
The CD-ROM drive is not recognized.	Make sure that: <ul style="list-style-type: none"><li>• The IDE channel to which the CD-ROM drive is attached (primary or secondary) is enabled in the Configuration/Setup Utility program. If the server has a single IDE channel, only the primary channel can be used.</li><li>• All cables and jumpers are installed correctly.</li><li>• The correct device driver is installed for the CD-ROM drive.</li></ul>

### Diskette drive problems

Symptom	Suggested action
The diskette drive activity LED stays lit, or the server bypasses the diskette drive.	If there is a diskette in the drive, make sure that: <ul style="list-style-type: none"><li>• The diskette drive cables are correctly and securely connected.</li><li>• The diskette drive is enabled in the Configuration/Setup Utility program.</li><li>• The diskette is good and not damaged. (Try another diskette if you have one.)</li><li>• The diskette contains the necessary files to start the server.</li><li>• Your software program is working properly.</li></ul> If the problem remains, call for service.

### Expansion enclosure problems

Symptom	Suggested action
The SCSI expansion enclosure used to work but does not work now.	Make sure that: <ul style="list-style-type: none"><li>• The cables for all external SCSI options are connected correctly.</li><li>• The last device in each SCSI chain, or the end of the SCSI cable, is terminated correctly.</li><li>• Any external SCSI devices are turned on. You must turn on external SCSI devices before turning on the server.</li></ul> For more information, see your SCSI expansion enclosure documentation.

### General problems

Symptom	Suggested action
A cover lock is broken, an LED is not working, or a similar problem has occurred.	Call for service.

## Hard disk drive problems

Symptom	Suggested action
Not all drives are recognized by the hard disk drive diagnostic test (the Fixed Disk test).	<ol style="list-style-type: none"><li>1. Remove the first drive that is not recognized and try the hard disk drive diagnostic test again.</li><li>2. If the remaining drives are recognized, replace the drive that you removed with a new one.</li></ol>
The server stops responding during the hard disk drive diagnostic test.	<ol style="list-style-type: none"><li>1. Remove the hard disk drive that was being tested when the server stopped responding and try the diagnostic test again.</li><li>2. If the hard disk drive diagnostic test runs successfully, replace the drive that you removed with a new one.</li></ol>

## Intermittent problems

Symptom	Suggested action
A problem occurs only occasionally and is difficult to diagnose.	<p>Make sure that:</p> <ul style="list-style-type: none"><li>• All cables and cords are connected securely to the rear of the server and attached devices.</li><li>• When the server is turned on, air is flowing from the rear of the server at the fan grille. If there is no airflow, the fan is not working. This can cause the server to overheat and shut down.</li><li>• The SCSI bus and devices are configured correctly and the last external device in each SCSI chain is terminated correctly.</li></ul> <p>If the problem remains, call for service.</p>

## Keyboard, mouse, or pointing-device problems

Symptom	Suggested action
All or some keys on the keyboard do not work.	<ul style="list-style-type: none"><li>• Make sure that the keyboard cable is securely connected to the server and that the keyboard and mouse cables are not reversed.</li><li>• Make sure that the server and the monitor are turned on.</li><li>• Make sure that the operating system supports USB devices.</li><li>• Try using another keyboard.</li></ul> <p>If the problem remains, call for service.</p>
The mouse or pointing device does not work.	<ul style="list-style-type: none"><li>• Make sure that the mouse or pointing-device cable is securely connected to the server and that the keyboard and mouse cables are not reversed.</li><li>• Make sure that the mouse device drivers are installed correctly.</li><li>• Make sure that the operating system supports USB devices.</li><li>• Try using another mouse or pointing device.</li></ul> <p>If the problem remains, call for service.</p>

## Memory problems

Symptom	Suggested action
The amount of system memory displayed is less than the amount of physical memory installed.	<p>Make sure that:</p> <ul style="list-style-type: none"> <li>The DIMMs are seated correctly.</li> <li>You have installed the correct type of memory.</li> <li>If you changed the memory, you updated the memory configuration in the Configuration/Setup Utility program.</li> <li>All banks of memory are enabled. The server might have automatically disabled a memory bank when it detected a problem, or a memory bank might have been manually disabled.</li> </ul> <p>Look in the POST error log for error message 289:</p> <ul style="list-style-type: none"> <li>If the DIMM was disabled by a system-management interrupt (SMI), replace the DIMM.</li> <li>If this error remains, replace the DIMM.</li> </ul> <p>If the problem remains, call for service.</p>

## Microprocessor problems

Symptom	Suggested action
The server emits a continuous tone during POST.	<p>The startup (boot) microprocessor is not working correctly. Verify that the startup microprocessor is seated correctly. If it is, replace the startup microprocessor.</p> <p><b>Note:</b> If only one microprocessor is installed, it must be in socket 1 (connector U1). For socket location and installation instructions, see “Installing an additional microprocessor” on page 20.</p> <p>If the problem remains, call for service.</p>

## Monitor problems

Some IBM monitors have their own self-tests. If you suspect a problem with your monitor, see the information that comes with the monitor for instructions for testing and adjusting the monitor. If you cannot diagnose the problem, call for service.

Symptom	Suggested action
The screen is blank.	<p>Make sure that:</p> <ul style="list-style-type: none"> <li>The server power cord is connected to the server and a working electrical outlet.</li> <li>The monitor cables are connected correctly.</li> <li>The monitor is turned on and the brightness and contrast controls are adjusted correctly.</li> </ul> <p><b>Important:</b> In some memory configurations, the 3-3-3 beep code might sound during POST, followed by a blank monitor screen. If this occurs and the <b>Boot Summary Screen</b>, <b>Boot Diagnostic Screen</b>, or <b>QuickBoot Mode</b> feature on the <b>Boot Features</b> menu of the Configuration/Setup Utility program is enabled (its default setting), you must restart the server three times to force the BIOS to reset the configuration to the default configuration (the memory connectors enabled).</p> <p>If the problem remains, call for service.</p>
Only the cursor appears.	<p>Call for service.</p>
The monitor works when you turn on the server, but the screen goes blank when you start some application programs.	<p>Make sure that:</p> <ul style="list-style-type: none"> <li>The primary monitor cable is connected to the video connector.</li> <li>You have installed the necessary device drivers for the application programs.</li> </ul> <p>If the problem remains, call for service.</p>

Symptom	Suggested action
The monitor has screen jitter, or the screen image is wavy, unreadable, rolling, or distorted.	<p>If the monitor self-tests show that the monitor is working correctly, consider the location of the monitor. Magnetic fields around other devices (such as transformers, appliances, fluorescent lights, and other monitors) can cause screen jitter or wavy, unreadable, rolling, or distorted screen images. If this happens, turn off the monitor.</p> <p><b>Attention:</b> Moving a color monitor while it is turned on might cause screen discoloration.</p> <p>Move the device and the monitor at least 300 mm (12 in.) apart, and turn on the monitor.</p> <p><b>Notes:</b></p> <ol style="list-style-type: none"> <li>1. To prevent diskette drive read/write errors, make sure that the distance between the monitor and diskette drives is at least 75 mm (3 in.).</li> <li>2. Non-IBM monitor cables might cause unpredictable problems.</li> <li>3. An enhanced monitor cable with additional shielding is available for the 9521 and 9527 monitors. For information about the enhanced monitor cable, contact your IBM marketing representative or authorized reseller.</li> </ol> <p>If the problem remains, call for service.</p>
Wrong characters appear on the screen.	<p>If the wrong language is displayed, update the BIOS code with the correct language.</p> <p>If the problem remains, call for service.</p>

## Option problems

Symptom	Suggested action
An IBM option that was just installed does not work.	<p>Make sure that:</p> <ul style="list-style-type: none"> <li>• The option is designed for the server. See the “Server Support” flowchart for information about obtaining ServerProven compatibility information from the World Wide Web.</li> <li>• You followed the installation instructions that come with the option.</li> <li>• The option is installed correctly.</li> <li>• You have not loosened any other installed options or cables.</li> <li>• You have updated the configuration information in the Configuration/Setup Utility program. Whenever memory or an option is changed, you must update the configuration.</li> </ul> <p>If the problem remains, call for service.</p>
An IBM option that used to work does not work now.	<ul style="list-style-type: none"> <li>• Make sure that all of the option hardware and cable connections are secure.</li> <li>• If the option comes with test instructions, use those instructions to test the option.</li> <li>• If the failing option is a SCSI device, make sure that: <ul style="list-style-type: none"> <li>– The cables for all external SCSI options are connected correctly.</li> <li>– The last device in each SCSI chain, or the end of the SCSI cable, is terminated correctly.</li> <li>– Any external SCSI devices are turned on. You must turn on external SCSI devices before turning on the server.</li> </ul> </li> </ul> <p>If the problem remains, call for service.</p>

## Power problems

Symptom	Suggested action
The server does not turn on.	<ul style="list-style-type: none"> <li>• Make sure that the server power cord is connected to the server and a working electrical outlet.</li> <li>• Make sure that the type of memory that is installed is supported by your server.</li> <li>• If you just installed an option, remove it, and restart the server. If the server now turns on, you might have installed more options than the power supply supports.</li> </ul> <p>If the problem remains, call for service.</p>
The server does not turn off.	<p>Determine whether you are using an ACPI or non-ACPI operating system.</p> <p>If you are using a non-ACPI operating system, complete the following steps:</p> <ol style="list-style-type: none"> <li>1. Press Ctrl+Alt+Delete.</li> <li>2. Turn off the server by using the power-control button. You might need to press and hold the power-control button for 5 seconds to force the server to turn off.</li> </ol> <p>If the problem remains or if you are using an ACPI operating system, call for service.</p>

## Serial port problems

For more information about the serial port, see the *Option Installation Guide* on the IBM @server Documentation CD.

Symptom	Suggested action
The number of serial ports identified by the operating system is less than the number of serial ports that are installed.	<p>Make sure that:</p> <ul style="list-style-type: none"> <li>• Each port is assigned a unique address in the Configuration/Setup Utility program and none of the serial ports are disabled.</li> <li>• The serial port adapter, if you installed one, is seated correctly.</li> </ul> <p>If the problem remains, call for service.</p>
A serial device does not work.	<p>Make sure that:</p> <ul style="list-style-type: none"> <li>• The device is compatible with the server.</li> <li>• The serial port is enabled and is assigned a unique address.</li> <li>• The device is connected to the serial port and the serial port is connected to serial connector (COM1) on the system board.</li> </ul> <p>If the problem remains, call for service.</p>

## Software problems

Symptom	Suggested action
You suspect a software problem.	<p>To determine whether the problem is caused by the software, make sure that:</p> <ul style="list-style-type: none"> <li>• Your server has the minimum memory needed to use the software. For memory requirements, see the information that comes with the software. If you have just installed an adapter or memory, the server might have a memory-address conflict.</li> <li>• The software is designed to operate on your server.</li> <li>• Other software works on your server.</li> <li>• The software that you are using works on another server.</li> </ul> <p>If you received any error messages when using the software, see the information that comes with the software for a description of the messages and suggested solutions to the problem.</p> <p>If the problem remains, contact your place of purchase of the software.</p>

## Universal Serial Bus device problems

Symptom	Suggested action
A USB device does not work.	Make sure that: <ul style="list-style-type: none"><li>• The correct USB device driver is installed.</li><li>• Your operating system supports USB devices.</li></ul> If the problem remains, call for service.

---

## Appendix A. Getting help and technical assistance

If you need help, service, or technical assistance or just want more information about IBM products, you will find a wide variety of sources available from IBM to assist you. This appendix contains information about where to go for additional information about IBM and IBM products, what to do if you experience a problem with your @server, xSeries™, or IntelliStation® system, and whom to call for service, if it is necessary.

---

### Before you call

Before you call, make sure that you have taken these steps to try to solve the problem yourself:

- Check all cables to make sure that they are connected.
- Check the power switches to make sure that the system is turned on.
- Use the troubleshooting information in your system documentation, and use the diagnostic tools that come with your system.
- Go to the IBM Support Web site at <http://www.ibm.com/pc/support/> to check for technical information, hints, tips, and new device drivers.
- Use an IBM discussion forum on the IBM Web site to ask questions.

You can solve many problems without outside assistance by following the troubleshooting procedures that IBM provides in the online help or in the publications that are provided with your system and software. The information that comes with your system also describes the diagnostic tests that you can perform. Most @server, xSeries, and IntelliStation systems, operating systems, and programs come with information that contains troubleshooting procedures and explanations of error messages and error codes. If you suspect a software problem, see the information for the operating system or program.

---

### Using the documentation

Information about your IBM @server, xSeries, or IntelliStation system and preinstalled software, if any, is available in the documentation that comes with your system. That documentation includes printed books, online books, README files, and help files. See the troubleshooting information in your system documentation for instructions for using the diagnostic programs. The troubleshooting information or the diagnostic programs might tell you that you need additional or updated device drivers or other software. IBM maintains pages on the World Wide Web where you can get the latest technical information and download device drivers and updates. To access these pages, go to <http://www.ibm.com/pc/support/> and follow the instructions. Also, you can order publications through the IBM Publications Ordering System at <http://www.elink.ibm.com/public/applications/publications/cgibin/pbi.cgi>.

---

### Getting help and information from the World Wide Web

On the World Wide Web, the IBM Web site has up-to-date information about IBM @server, xSeries, and IntelliStation products, services, and support. The address for IBM @server and xSeries information is <http://www.ibm.com/eserver/xseries/>. The address for IBM IntelliStation information is <http://www.ibm.com/pc/intellistation/>.

You can find service information for your IBM products, including supported options, at <http://www.ibm.com/pc/support/>. If you click **Profile** from the support page, you can create a customized support page. The support page has many sources of information and ways for you to solve problems, including:

- Diagnosing problems, using the IBM Online Assistant
- Downloading the latest device drivers and updates for your products
- Viewing Frequently Asked Questions (FAQ)
- Viewing hints and tips to help you solve problems
- Participating in IBM discussion forums
- Setting up e-mail notification of technical updates about your products

---

## Software service and support

Through IBM Support Line, you can get telephone assistance, for a fee, with usage, configuration, and software problems with @server and xSeries servers, IntelliStation workstations, and appliances. For information about which products are supported by Support Line in your country or region, go to <http://www.ibm.com/services/sl/products/>.

For more information about Support Line and other IBM services, go to <http://www.ibm.com/services/>, or go to <http://www.ibm.com/planetwide/> for support telephone numbers.

---

## Hardware service and support

You can receive hardware service through IBM Integrated Technology Services or through your IBM reseller, if your reseller is authorized by IBM to provide warranty service. Go to <http://www.ibm.com/planetwide/> for support telephone numbers.

In the U.S. and Canada, hardware service and support is available 24 hours a day, 7 days a week. In the U.K., these services are available Monday through Friday, from 9 a.m. to 6 p.m.



---

# Appendix B. IBM Statement of Limited Warranty Z125-4753-07 11/2002

---

## Part 1 - General Terms

### Part 1 - General Terms

*This Statement of Limited Warranty includes Part 1 - General Terms, Part 2 - Country-unique Terms, and Part 3 - Warranty Information. The terms of Part 2 replace or modify those of Part 1. The warranties provided by IBM in this Statement of Limited Warranty apply only to Machines you purchase for your use, and not for resale. The term "Machine" means an IBM machine, its features, conversions, upgrades, elements, or accessories, or any combination of them. The term "Machine" does not include any software programs, whether pre-loaded with the Machine, installed subsequently or otherwise. **Nothing in this Statement of Limited Warranty affects any statutory rights of consumers that cannot be waived or limited by contract.***

### What this Warranty Covers

IBM warrants that each Machine 1) is free from defects in materials and workmanship and 2) conforms to IBM's Official Published Specifications ("Specifications") which are available on request. The warranty period for the Machine starts on the original Date of Installation and is specified in Part 3 - Warranty Information. The date on your invoice or sales receipt is the Date of Installation unless IBM or your reseller informs you otherwise. Many features, conversions, or upgrades involve the removal of parts and their return to IBM. A part that replaces a removed part will assume the warranty service status of the removed part. Unless IBM specifies otherwise, these warranties apply only in the country or region in which you purchased the Machine.

**THESE WARRANTIES ARE YOUR EXCLUSIVE WARRANTIES AND REPLACE ALL OTHER WARRANTIES OR CONDITIONS, EXPRESS OR IMPLIED, INCLUDING, BUT NOT LIMITED TO, THE IMPLIED WARRANTIES OR CONDITIONS OF MERCHANTABILITY AND FITNESS FOR A PARTICULAR PURPOSE. SOME STATES OR JURISDICTIONS DO NOT ALLOW THE EXCLUSION OF EXPRESS OR IMPLIED WARRANTIES, SO THE ABOVE EXCLUSION MAY NOT APPLY TO YOU. IN THAT EVENT, SUCH WARRANTIES ARE LIMITED IN DURATION TO THE WARRANTY PERIOD. NO WARRANTIES APPLY AFTER THAT PERIOD. SOME STATES OR JURISDICTIONS DO NOT ALLOW LIMITATIONS ON HOW LONG AN IMPLIED WARRANTY LASTS, SO THE ABOVE LIMITATION MAY NOT APPLY TO YOU.**

### What this Warranty Does not Cover

This warranty does not cover the following:

- any software programs, whether pre-loaded or shipped with the Machine, or installed subsequently;
- failure resulting from misuse (including but not limited to use of any Machine capacity or capability, other than that authorized by IBM in writing), accident, modification, unsuitable physical or operating environment, or improper maintenance by you;
- failure caused by a product for which IBM is not responsible; and
- any non-IBM products, including those that IBM may procure and provide with or integrate into an IBM Machine at your request.

The warranty is voided by removal or alteration of identification labels on the Machine or its parts.

IBM does not warrant uninterrupted or error-free operation of a Machine.

Any technical or other support provided for a Machine under warranty, such as assistance via telephone with “how-to” questions and those regarding Machine set-up and installation, is provided **WITHOUT WARRANTIES OF ANY KIND**.

### **How to Obtain Warranty Service**

If the Machine does not function as warranted during the warranty period, contact IBM or your reseller to obtain warranty service. If you do not register the Machine with IBM, you may be required to present proof of purchase as evidence of your entitlement to warranty service.

### **What IBM Will Do to Correct Problems**

When you call for service, you must follow the problem determination and resolution procedures that IBM specifies. A technician will attempt to make an initial diagnosis of your problem and help you resolve it over the telephone.

The type of warranty service applicable to your Machine is specified in Part 3 - Warranty Information.

You are responsible for downloading and installing designated Machine Code (microcode, basic input/output system code (called “BIOS”), utility programs, device drivers, and diagnostics delivered with an IBM Machine) and other software updates from an IBM Internet Web site or from other electronic media, and following the instructions that IBM provides.

If your problem can be resolved with a Customer Replaceable Unit (“CRU”) (e.g., keyboard, mouse, speaker, memory, hard disk drive and other easily replaceable parts), IBM will ship these parts to you for replacement by you.

If the Machine does not function as warranted during the warranty period and your problem cannot be resolved over the telephone, through your application of Machine Code or software updates, or with a CRU, IBM or your reseller, if approved by IBM to provide warranty service, will either, at its discretion, 1) repair it to make it function as warranted, or 2) replace it with one that is at least functionally equivalent. If IBM is unable to do either, you may return the Machine to your place of purchase and your money will be refunded.

IBM or your reseller will also manage and install selected engineering changes that apply to the Machine.

### **Exchange of a Machine or Part**

When the warranty service involves the exchange of a Machine or part, the item IBM or your reseller replaces becomes its property and the replacement becomes yours. You represent that all removed items are genuine and unaltered. The replacement may not be new, but will be in good working order and at least functionally equivalent to the item replaced. The replacement assumes the warranty service status of the replaced item.

## **Your Additional Responsibilities**

Before IBM or your reseller exchanges a Machine or part, you agree to remove all features, parts, options, alterations, and attachments not under warranty service.

You also agree to:

1. ensure that the Machine is free of any legal obligations or restrictions that prevent its exchange;
2. obtain authorization from the owner to have IBM or your reseller service a Machine that you do not own; and
3. where applicable, before service is provided:
  - a. follow the service request procedures that IBM or your reseller provides;
  - b. backup or secure all programs, data, and funds contained in the Machine;
  - c. provide IBM or your reseller with sufficient, free, and safe access to your facilities to permit IBM to fulfill its obligations; and
  - d. inform IBM or your reseller of changes in the Machine's location.
4. (a) ensure all information about identified or identifiable individuals (Personal Data) is deleted from the Machine (to the extent technically possible), (b) allow IBM, your reseller or an IBM supplier to process on your behalf any remaining Personal Data as IBM or your reseller considers necessary to fulfill its obligations under this Statement of Limited Warranty (which may include shipping the Machine for such processing to other IBM service locations around the world), and (c) ensure that such processing complies with any laws applicable to such Personal Data.

## **Limitation of Liability**

IBM is responsible for loss of, or damage to, your Machine only while it is 1) in IBM's possession or 2) in transit in those cases where IBM is responsible for the transportation charges.

Neither IBM nor your reseller are responsible for any of your confidential, proprietary or personal information contained in a Machine which you return to IBM for any reason. You should remove all such information from the Machine prior to its return.

Circumstances may arise where, because of a default on IBM's part or other liability, you are entitled to recover damages from IBM. In each such instance, regardless of the basis on which you are entitled to claim damages from IBM (including fundamental breach, negligence, misrepresentation, or other contract or tort claim), except for any liability that cannot be waived or limited by applicable laws, IBM is liable for no more than

1. damages for bodily injury (including death) and damage to real property and tangible personal property; and
2. the amount of any other actual direct damages, up to the charges (if recurring, 12 months' charges apply) for the Machine that is subject of the claim. For purposes of this item, the term "Machine" includes Machine Code and Licensed Internal Code ("LIC").

This limit also applies to IBM's suppliers and your reseller. It is the maximum for which IBM, its suppliers, and your reseller are collectively responsible.

**UNDER NO CIRCUMSTANCES IS IBM, ITS SUPPLIERS OR RESELLERS LIABLE FOR ANY OF THE FOLLOWING EVEN IF INFORMED OF THEIR POSSIBILITY: 1) THIRD PARTY CLAIMS AGAINST YOU FOR DAMAGES (OTHER THAN THOSE UNDER THE FIRST ITEM LISTED ABOVE); 2) LOSS OF,**

OR DAMAGE TO, DATA; 3) SPECIAL, INCIDENTAL, OR INDIRECT DAMAGES OR FOR ANY ECONOMIC CONSEQUENTIAL DAMAGES; OR 4) LOST PROFITS, BUSINESS REVENUE, GOODWILL OR ANTICIPATED SAVINGS. SOME STATES OR JURISDICTIONS DO NOT ALLOW THE EXCLUSION OR LIMITATION OF INCIDENTAL OR CONSEQUENTIAL DAMAGES, SO THE ABOVE LIMITATION OR EXCLUSION MAY NOT APPLY TO YOU. SOME STATES OR JURISDICTIONS DO NOT ALLOW LIMITATIONS ON HOW LONG AN IMPLIED WARRANTY LASTS, SO THE ABOVE LIMITATION MAY NOT APPLY TO YOU.

#### **Governing Law**

Both you and IBM consent to the application of the laws of the country in which you acquired the Machine to govern, interpret, and enforce all of your and IBM's rights, duties, and obligations arising from, or relating in any manner to, the subject matter of this Statement of Limited Warranty, without regard to conflict of law principles.

**THESE WARRANTIES GIVE YOU SPECIFIC LEGAL RIGHTS AND YOU MAY ALSO HAVE OTHER RIGHTS WHICH VARY FROM STATE TO STATE OR JURISDICTION TO JURISDICTION.**

#### **Jurisdiction**

All of our rights, duties, and obligations are subject to the courts of the country in which you acquired the Machine.

---

## **Part 2 - Country-unique Terms**

### **AMERICAS**

#### **ARGENTINA**

**Governing Law:** *The following is added after the first sentence:*

Any litigation arising from this Statement of Limited Warranty will be settled exclusively by the Ordinary Commercial Court of the city of Buenos Aires.

#### **BRAZIL**

**Governing Law:** *The following is added after the first sentence:*

Any litigation arising from this Statement of Limited Warranty will be settled exclusively by the court of Rio de Janeiro, RJ.

#### **PERU**

**Limitation of Liability:** *The following is added at the end of this section:*

In accordance with Article 1328 of the Peruvian Civil Code the limitations and exclusions specified in this section will not apply to damages caused by IBM's willful misconduct ("dolo") or gross negligence ("culpa inexcusable").

## **NORTH AMERICA**

**How to Obtain Warranty Service:** *The following is added to this Section:*  
To obtain warranty service from IBM in Canada or the United States, call 1-800-IBM-SERV (426-7378).

### **CANADA**

**Limitation of Liability:** *The following replaces item 1 of this section:*

1. damages for bodily injury (including death) or physical harm to real property and tangible personal property caused by IBM's negligence; and

**Governing Law:** *The following replaces "laws of the country in which you acquired the Machine" in the first sentence:*  
laws in the Province of Ontario.

### **UNITED STATES**

**Governing Law:** *The following replaces "laws of the country in which you acquired the Machine" in the first sentence:*  
laws of the State of New York.

## **ASIA PACIFIC**

### **AUSTRALIA**

**What this Warranty Covers:** *The following paragraph is added to this section:*  
The warranties specified in this Section are in addition to any rights you may have under the Trade Practices Act 1974 or other similar legislation and are only limited to the extent permitted by the applicable legislation.

**Limitation of Liability:** *The following is added to this section:*

Where IBM is in breach of a condition or warranty implied by the Trade Practices Act 1974 or other similar legislation, IBM's liability is limited to the repair or replacement of the goods or the supply of equivalent goods. Where that condition or warranty relates to right to sell, quiet possession or clear title, or the goods are of a kind ordinarily acquired for personal, domestic or household use or consumption, then none of the limitations in this paragraph apply.

**Governing Law:** *The following replaces "laws of the country in which you acquired the Machine" in the first sentence:*  
laws of the State or Territory.

### **CAMBODIA, LAOS, AND VIETNAM**

**Governing Law:** *The following replaces "laws of the country in which you acquired the Machine" in the first sentence:*  
laws of the State of New York, United States of America.

### **CAMBODIA, INDONESIA, LAOS, AND VIETNAM**

**Arbitration:** *The following is added under this heading:*

Disputes arising out of or in connection with this Statement of Limited Warranty shall be finally settled by arbitration which shall be held in Singapore in accordance with the Arbitration Rules of Singapore International Arbitration Center ("SIAC

Rules”) then in effect. The arbitration award shall be final and binding for the parties without appeal and shall be in writing and set forth the findings of fact and the conclusions of law.

The number of arbitrators shall be three, with each side to the dispute being entitled to appoint one arbitrator. The two arbitrators appointed by the parties shall appoint a third arbitrator who shall act as chairman of the proceedings. Vacancies in the post of chairman shall be filled by the president of the SIAC. Other vacancies shall be filled by the respective nominating party. Proceedings shall continue from the stage they were at when the vacancy occurred.

If one of the parties refuses or otherwise fails to appoint an arbitrator within 30 days of the date the other party appoints its, the first appointed arbitrator shall be the sole arbitrator, provided that the arbitrator was validly and properly appointed.

All proceedings shall be conducted, including all documents presented in such proceedings, in the English language. The English language version of this Statement of Limited Warranty prevails over any other language version.

### **HONG KONG S.A.R. OF CHINA AND MACAU S.A.R. OF CHINA**

**Governing Law:** *The following replaces “laws of the country in which you acquired the Machine” in the first sentence:*  
laws of Hong Kong Special Administrative Region of China.

### **INDIA**

**Limitation of Liability:** *The following replaces items 1 and 2 of this section:*

1. liability for bodily injury (including death) or damage to real property and tangible personal property will be limited to that caused by IBM’s negligence; and
2. as to any other actual damage arising in any situation involving nonperformance by IBM pursuant to, or in any way related to the subject of this Statement of Limited Warranty, the charge paid by you for the individual Machine that is the subject of the claim. For purposes of this item, the term “Machine” includes Machine Code and Licensed Internal Code (“LIC”).

**Arbitration:** *The following is added under this heading:*

Disputes arising out of or in connection with this Statement of Limited Warranty shall be finally settled by arbitration which shall be held in Bangalore, India in accordance with the laws of India then in effect. The arbitration award shall be final and binding for the parties without appeal and shall be in writing and set forth the findings of fact and the conclusions of law.

The number of arbitrators shall be three, with each side to the dispute being entitled to appoint one arbitrator. The two arbitrators appointed by the parties shall appoint a third arbitrator who shall act as chairman of the proceedings. Vacancies in the post of chairman shall be filled by the president of the Bar Council of India. Other vacancies shall be filled by the respective nominating party. Proceedings shall continue from the stage they were at when the vacancy occurred.

If one of the parties refuses or otherwise fails to appoint an arbitrator within 30 days of the date the other party appoints its, the first appointed arbitrator shall be the sole arbitrator, provided that the arbitrator was validly and properly appointed.

All proceedings shall be conducted, including all documents presented in such proceedings, in the English language. The English language version of this Statement of Limited Warranty prevails over any other language version.

## **JAPAN**

**Governing Law:** *The following sentence is added to this section:*

Any doubts concerning this Statement of Limited Warranty will be initially resolved between us in good faith and in accordance with the principle of mutual trust.

## **MALAYSIA**

**Limitation of Liability:** *The word “SPECIAL” in item 3 of the fifth paragraph is deleted.*

## **NEW ZEALAND**

**What this Warranty Covers:** *The following paragraph is added to this section:*

The warranties specified in this section are in addition to any rights you may have under the Consumer Guarantees Act 1993 or other legislation which cannot be excluded or limited. The Consumer Guarantees Act 1993 will not apply in respect of any goods which IBM provides, if you require the goods for the purposes of a business as defined in that Act.

**Limitation of Liability:** *The following is added to this section:*

Where Machines are not acquired for the purposes of a business as defined in the Consumer Guarantees Act 1993, the limitations in this section are subject to the limitations in that Act.

## **PEOPLE’S REPUBLIC OF CHINA (PRC)**

**Governing Law:** *The following replaces “laws of the country in which you acquired the Machine” in the first sentence:*

laws of the State of New York, United States of America (except when local law requires otherwise).

## **PHILIPPINES**

**Limitation of Liability:** *Item 3 in the fifth paragraph is replaced by the following:*

**SPECIAL (INCLUDING NOMINAL AND EXEMPLARY DAMAGES), MORAL, INCIDENTAL, OR INDIRECT DAMAGES FOR ANY ECONOMIC CONSEQUENTIAL DAMAGES; OR**

**Arbitration:** *The following is added under this heading:*

Disputes arising out of or in connection with this Statement of Limited Warranty shall be finally settled by arbitration which shall be held in Metro Manila, Philippines in accordance with the laws of the Philippines then in effect. The arbitration award shall be final and binding for the parties without appeal and shall be in writing and set forth the findings of fact and the conclusions of law.

The number of arbitrators shall be three, with each side to the dispute being entitled to appoint one arbitrator. The two arbitrators appointed by the parties shall appoint a third arbitrator who shall act as chairman of the proceedings. Vacancies in the

post of chairman shall be filled by the president of the Philippine Dispute Resolution Center, Inc. Other vacancies shall be filled by the respective nominating party. Proceedings shall continue from the stage they were at when the vacancy occurred.

If one of the parties refuses or otherwise fails to appoint an arbitrator within 30 days of the date the other party appoints its, the first appointed arbitrator shall be the sole arbitrator, provided that the arbitrator was validly and properly appointed.

All proceedings shall be conducted, including all documents presented in such proceedings, in the English language. The English language version of this Statement of Limited Warranty prevails over any other language version.

## **SINGAPORE**

**Limitation of Liability:** *The words “SPECIAL” and “ECONOMIC” in item 3 in the fifth paragraph are deleted.*

## **EUROPE, MIDDLE EAST, AFRICA (EMEA)**

### ***THE FOLLOWING TERMS APPLY TO ALL EMEA COUNTRIES:***

The terms of this Statement of Limited Warranty apply to Machines purchased from IBM or an IBM reseller.

**Hot to Obtain Warranty Service:** If you purchase a Machine in Austria, Belgium, Cyprus, Denmark, Estonia, Finland, France, Germany, Greece, Iceland, Ireland, Italy, Latvia, Liechtenstein, Lithuania, Luxembourg, Monaco, Netherlands, Norway, Portugal, Spain, San Marino, Sweden, Switzerland, United Kingdom or Vatican State, you may obtain warranty service for that Machine in any of those countries from either (1) an IBM reseller approved to perform warranty service or (2) from IBM, provided the Machine has been announced and made available by IBM in the country in which you wish to obtain service. If you purchased a Personal Computer Machine in Albania, Armenia, Belarus, Bosnia and Herzegovina, Bulgaria, Croatia, Czech Republic, Georgia, Hungary, Kazakhstan, Kyrgyzstan, Federal Republic of Yugoslavia, Former Yugoslav Republic of Macedonia (FYROM), Moldova, Poland, Romania, Russia, Slovak Republic, Slovenia, or Ukraine, you may obtain warranty service for that Machine in any of those countries from either (1) an IBM reseller approved to perform warranty service or (2) from IBM.

If you purchase a Machine in a Middle Eastern or African country, you may obtain warranty service for that Machine from the IBM entity within the country of purchase, if that IBM entity provides warranty service in that country, or from an IBM reseller, approved by IBM to perform warranty service on that Machine in that country. Warranty service in Africa is available within 50 kilometers of an IBM approved service provider. You are responsible for transportation costs for Machines located outside 50 kilometers of an IBM approved service provider.

*Add the following paragraph in **Western Europe** (Austria, Belgium, Cyprus, Denmark, Finland, France, Germany, Greece, Iceland, Ireland, Italy, Liechtenstein, Luxembourg, Monaco, Netherlands, Norway, Portugal, Spain, San Marino, Sweden, Switzerland, United Kingdom, Vatican State):*

The warranty for Machines acquired in Western Europe shall be valid and applicable in all Western Europe countries provided the Machines have been announced and made available in such countries.



## **Governing Law:**

*The phrase “the laws of the country in which you acquired the Machine” is replaced by:*

1) “the laws of Austria” in **Albania, Armenia, Azerbaijan, Belarus, Bosnia-Herzegovina, Bulgaria, Croatia, Georgia, Hungary, Kazakhstan, Kyrgyzstan, FYR Macedonia, Moldova, Poland, Romania, Russia, Slovakia, Slovenia, Tajikistan, Turkmenistan, Ukraine, Uzbekistan, and FR Yugoslavia;** 2) “the laws of France” in **Algeria, Benin, Burkina Faso, Cameroon, Cape Verde, Central African Republic, Chad, Comoros, Congo Republic, Djibouti, Democratic Republic of Congo, Equatorial Guinea, French Guiana, French Polynesia, Gabon, Gambia, Guinea, Guinea-Bissau, Ivory Coast, Lebanon, Madagascar, Mali, Mauritania, Mauritius, Mayotte, Morocco, New Caledonia, Niger, Reunion, Senegal, Seychelles, Togo, Tunisia, Vanuatu, and Wallis & Futuna;** 3) “the laws of Finland” in **Estonia, Latvia, and Lithuania;** 4) “the laws of England” in **Angola, Bahrain, Botswana, Burundi, Egypt, Eritrea, Ethiopia, Ghana, Jordan, Kenya, Kuwait, Liberia, Malawi, Malta, Mozambique, Nigeria, Oman, Pakistan, Qatar, Rwanda, Sao Tome, Saudi Arabia, Sierra Leone, Somalia, Tanzania, Uganda, United Arab Emirates, the United Kingdom, West Bank/Gaza, Yemen, Zambia, and Zimbabwe;** and 5) “the laws of South Africa” in **South Africa, Namibia, Lesotho and Swaziland.**

**Jurisdiction:** *The following exceptions are added to this section:*

1) **In Austria** the choice of jurisdiction for all disputes arising out of this Statement of Limited Warranty and relating thereto, including its existence, will be the competent court of law in Vienna, Austria (Inner-City); 2) **in Angola, Bahrain, Botswana, Burundi, Egypt, Eritrea, Ethiopia, Ghana, Jordan, Kenya, Kuwait, Liberia, Malawi, Malta, Mozambique, Nigeria, Oman, Pakistan, Qatar, Rwanda, Sao Tome, Saudi Arabia, Sierra Leone, Somalia, Tanzania, Uganda, United Arab Emirates, West Bank/Gaza, Yemen, Zambia, and Zimbabwe** all disputes arising out of this Statement of Limited Warranty or related to its execution, including summary proceedings, will be submitted to the exclusive jurisdiction of the English courts; 3) **in Belgium and Luxembourg**, all disputes arising out of this Statement of Limited Warranty or related to its interpretation or its execution, the law, and the courts of the capital city, of the country of your registered office and/or commercial site location only are competent; 4) **in France, Algeria, Benin, Burkina Faso, Cameroon, Cape Verde, Central African Republic, Chad, Comoros, Congo Republic, Djibouti, Democratic Republic of Congo, Equatorial Guinea, French Guiana, French Polynesia, Gabon, Gambia, Guinea, Guinea-Bissau, Ivory Coast, Lebanon, Madagascar, Mali, Mauritania, Mauritius, Mayotte, Morocco, New Caledonia, Niger, Reunion, Senegal, Seychelles, Togo, Tunisia, Vanuatu, and Wallis & Futuna** all disputes arising out of this Statement of Limited Warranty or related to its violation or execution, including summary proceedings, will be settled exclusively by the Commercial Court of Paris; 5) **in Russia**, all disputes arising out of or in relation to the interpretation, the violation, the termination, the nullity of the execution of this Statement of Limited Warranty shall be settled by Arbitration Court of Moscow; 6) **in South Africa, Namibia, Lesotho and Swaziland**, both of us agree to submit all disputes relating to this Statement of Limited Warranty to the jurisdiction of the High Court in Johannesburg; 7) **in Turkey** all disputes arising out of or in connection with this Statement of Limited Warranty shall be resolved by the Istanbul Central (Sultanahmet) Courts and Execution Directorates of Istanbul, the Republic of Turkey; 8) in each of the following specified countries, any legal claim arising out of this Statement of Limited Warranty will be brought before, and settled exclusively by, the competent court of a) Athens for

**Greece**, b) Tel Aviv-Jaffa for **Israel**, c) Milan for **Italy**, d) Lisbon for **Portugal**, and e) Madrid for **Spain**; and 9) **in the United Kingdom**, both of us agree to submit all disputes relating to this Statement of Limited Warranty to the jurisdiction of the English courts.

**Arbitration:** *The following is added under this heading:*

**In Albania, Armenia, Azerbaijan, Belarus, Bosnia-Herzegovina, Bulgaria, Croatia, Georgia, Hungary, Kazakhstan, Kyrgyzstan, FYR Macedonia, Moldova, Poland, Romania, Russia, Slovakia, Slovenia, Tajikistan, Turkmenistan, Ukraine, Uzbekistan, and FR Yugoslavia** all disputes arising out of this Statement of Limited Warranty or related to its violation, termination or nullity will be finally settled under the Rules of Arbitration and Conciliation of the International Arbitral Center of the Federal Economic Chamber in Vienna (Vienna Rules) by three arbitrators appointed in accordance with these rules. The arbitration will be held in Vienna, Austria, and the official language of the proceedings will be English. The decision of the arbitrators will be final and binding upon both parties. Therefore, pursuant to paragraph 598 (2) of the Austrian Code of Civil Procedure, the parties expressly waive the application of paragraph 595 (1) figure 7 of the Code. IBM may, however, institute proceedings in a competent court in the country of installation.

**In Estonia, Latvia and Lithuania** all disputes arising in connection with this Statement of Limited Warranty will be finally settled in arbitration that will be held in Helsinki, Finland in accordance with the arbitration laws of Finland then in effect. Each party will appoint one arbitrator. The arbitrators will then jointly appoint the chairman. If arbitrators cannot agree on the chairman, then the Central Chamber of Commerce in Helsinki will appoint the chairman.

## **EUROPEAN UNION (EU)**

### ***THE FOLLOWING TERMS APPLY TO ALL EU COUNTRIES:***

Consumers have legal rights under applicable national legislation governing the sale of consumer goods. Such rights are not affected by the warranties provided in this Statement of Limited Warranty.

**How to Obtain Warranty Service:** *The following is added to this section:*

To obtain warranty service from IBM in EU countries, see the telephone listing in Part 3 - Warranty Information.

You may contact IBM at the following address:

IBM Warranty & Service Quality Dept.  
PO Box 30  
Spango Valley  
Greenock  
Scotland PA16 0AH

**AUSTRIA, DENMARK, FINLAND, GREECE, ITALY, NETHERLANDS,  
PORTUGAL, SPAIN, SWEDEN AND SWITZERLAND**

**Limitation of Liability:** *The following replaces the terms of this section in its entirety:*

Except as otherwise provided by mandatory law:

1. IBM's liability for any damages and losses that may arise as a consequence of the fulfillment of its obligations under or in connection with this Statement of Limited Warranty or due to any other cause related to this Statement of Limited Warranty is limited to the compensation of only those damages and losses proved and actually arising as an immediate and direct consequence of the non-fulfillment of such obligations (if IBM is at fault) or of such cause, for a maximum amount equal to the charges you paid for the Machine. For purposes of this item, the term "Machine" includes Machine Code and Licensed Internal Code ("LIC").

The above limitation shall not apply to damages for bodily injuries (including death) and damages to real property and tangible personal property for which IBM is legally liable.

2. **UNDER NO CIRCUMSTANCES IS IBM, ITS SUPPLIERS OR RESELLERS LIABLE FOR ANY OF THE FOLLOWING, EVEN IF INFORMED OF THEIR POSSIBILITY: 1) LOSS OF, OR DAMAGE TO, DATA; 2) INCIDENTAL OR INDIRECT DAMAGES, OR FOR ANY ECONOMIC CONSEQUENTIAL DAMAGES; 3) LOST PROFITS, EVEN IF THEY ARISE AS AN IMMEDIATE CONSEQUENCE OF THE EVENT THAT GENERATED THE DAMAGES; OR 4) LOSS OF BUSINESS, REVENUE, GOODWILL, OR ANTICIPATED SAVINGS.**

**FRANCE AND BELGIUM**

**Limitation of Liability:** *The following replaces the terms of this section in its entirety:*

Except as otherwise provided by mandatory law:

1. IBM's liability for any damages and losses that may arise as a consequence of the fulfillment of its obligations under or in connection with this Statement of Limited Warranty is limited to the compensation of only those damages and losses proved and actually arising as an immediate and direct consequence of the non-fulfillment of such obligations (if IBM is at fault), for a maximum amount equal to the charges you paid for the Machine that has caused the damages. For purposes of this item, the term "Machine" includes Machine Code and Licensed Internal Code ("LIC").

The above limitation shall not apply to damages for bodily injuries (including death) and damages to real property and tangible personal property for which IBM is legally liable.

2. **UNDER NO CIRCUMSTANCES IS IBM, ITS SUPPLIERS OR RESELLERS LIABLE FOR ANY OF THE FOLLOWING, EVEN IF INFORMED OF THEIR POSSIBILITY: 1) LOSS OF, OR DAMAGE TO, DATA; 2) INCIDENTAL OR INDIRECT DAMAGES, OR FOR ANY ECONOMIC CONSEQUENTIAL DAMAGES; 3) LOST PROFITS, EVEN IF THEY ARISE AS AN IMMEDIATE CONSEQUENCE OF THE EVENT THAT GENERATED THE DAMAGES; OR 4) LOSS OF BUSINESS, REVENUE, GOODWILL, OR ANTICIPATED SAVINGS.**

**THE FOLLOWING TERMS APPLY TO THE COUNTRY SPECIFIED:**

**AUSTRIA**

**What this Warranty Covers:** *The following replaces the first sentence of the first paragraph of this section:*

The warranty for an IBM Machine covers the functionality of the Machine for its normal use and the Machine's conformity to its Specifications.

*The following paragraphs are added to this section:*

The warranty period for Machines is 12 months from the date of delivery. The limitation period for consumers in action for breach of warranty is the statutory period as a minimum. In case IBM or your reseller is unable to repair an IBM Machine, you can alternatively ask for a partial refund as far as justified by the reduced value of the unrepaired Machine or ask for a cancellation of the respective agreement for such Machine and get your money refunded.

*The second paragraph does not apply.*

**What IBM Will Do to Correct Problems:** *The following is added to this section:*

During the warranty period, transportation for delivery of the failing Machine to IBM will be at IBM's expense.

**Limitation of Liability:** *The following paragraph is added to this section:*

The limitations and exclusions specified in the Statement of Limited Warranty will not apply to damages caused by IBM with fraud or gross negligence and for express warranty.

*The following sentence is added to the end of item 2:*

IBM's liability under this item is limited to the violation of essential contractual terms in cases of ordinary negligence.

**EGYPT**

**Limitation of Liability:** *The following replaces item 2 in this section:*

as to any other actual direct damages, IBM's liability will be limited to the total amount you paid for the Machine that is the subject of the claim. For purposes of this item, the term "Machine" includes Machine Code and Licensed Internal Code ("LIC").

*Applicability of suppliers and resellers (unchanged).*

**FRANCE**

**Limitation of Liability:** *The following replaces the second sentence of the first paragraph of this section:*

In such instances, regardless of the basis on which you are entitled to claim damages from IBM, IBM is liable for no more than: (items 1 and 2 unchanged).

## GERMANY

**What this Warranty Covers:** *The following replaces the first sentence of the first paragraph of this section:*

The warranty for an IBM Machine covers the functionality of the Machine for its normal use and the Machine's conformity to its Specifications.

*The following paragraphs are added to this section:*

The minimum warranty period for Machines is twelve months. In case IBM or your reseller is unable to repair an IBM Machine, you can alternatively ask for a partial refund as far as justified by the reduced value of the unrepaired Machine or ask for a cancellation of the respective agreement for such Machine and get your money refunded.

*The second paragraph does not apply.*

**What IBM Will Do to Correct Problems:** *The following is added to this section:*

During the warranty period, transportation for delivery of the failing Machine to IBM will be at IBM's expense.

**Limitation of Liability:** *The following paragraph is added to this section:*

The limitations and exclusions specified in the Statement of Limited Warranty will not apply to damages caused by IBM with fraud or gross negligence and for express warranty.

*The following sentence is added to the end of item 2:*

IBM's liability under this item is limited to the violation of essential contractual terms in cases of ordinary negligence.

## HUNGARY

**Limitation of Liability:** *The following is added at the end of this section:*

The limitation and exclusion specified herein shall not apply to liability for a breach of contract damaging life, physical well-being, or health that has been caused intentionally, by gross negligence, or by a criminal act.

The parties accept the limitations of liability as valid provisions and state that the Section 314.(2) of the Hungarian Civil Code applies as the acquisition price as well as other advantages arising out of the present Statement of Limited Warranty balance this limitation of liability.

## IRELAND

**What this Warranty Covers:** *The following is added to this section:*

Except as expressly provided in these terms and conditions, all statutory conditions, including all warranties implied, but without prejudice to the generality of the foregoing all warranties implied by the Sale of Goods Act 1893 or the Sale of Goods and Supply of Services Act 1980 are hereby excluded.

**Limitation of Liability:** *The following replaces the terms of this section in its entirety:*

For the purposes of this section, a “Default” means any act, statement, omission, or negligence on the part of IBM in connection with, or in relation to, the subject matter of this Statement of Limited Warranty in respect of which IBM is legally liable to you, whether in contract or tort. A number of Defaults which together result in, or contribute to, substantially the same loss or damage will be treated as one Default occurring on the date of occurrence of the last such Default.

Circumstances may arise where, because of a Default, you are entitled to recover damages from IBM.

This section sets out the extent of IBM’s liability and your sole remedy.

1. IBM will accept unlimited liability for death or personal injury caused by the negligence of IBM.
2. Subject always to the **Items for Which IBM is Not Liable** below, IBM will accept unlimited liability for physical damage to your tangible property resulting from the negligence of IBM.
3. Except as provided in items 1 and 2 above, IBM’s entire liability for actual damages for any one Default will not in any event exceed the greater of 1) EUR 125,000, or 2) 125% of the amount you paid for the Machine directly relating to the Default.

#### **Items for Which IBM is Not Liable**

Save with respect to any liability referred to in item 1 above, under no circumstances is IBM, its suppliers or resellers liable for any of the following, even if IBM or they were informed of the possibility of such losses:

1. loss of, or damage to, data;
2. special, indirect, or consequential loss; or
3. loss of profits, business, revenue, goodwill, or anticipated savings.

#### **SLOVAKIA**

**Limitation of Liability:** *The following is added to the end of the last paragraph:*

The limitations apply to the extent they are not prohibited under §§ 373-386 of the Slovak Commercial Code.

#### **SOUTH AFRICA, NAMIBIA, BOTSWANA, LESOTHO AND SWAZILAND**

**Limitation of Liability:** *The following is added to this section:*

IBM’s entire liability to you for actual damages arising in all situations involving nonperformance by IBM in respect of the subject matter of this Statement of Warranty will be limited to the charge paid by you for the individual Machine that is the subject of your claim from IBM.

## UNITED KINGDOM

**Limitation of Liability:** *The following replaces the terms of this section in its entirety:*

For the purposes of this section, a “Default” means any act, statement, omission, or negligence on the part of IBM in connection with, or in relation to, the subject matter of this Statement of Limited Warranty in respect of which IBM is legally liable to you, whether in contract or tort. A number of Defaults which together result in, or contribute to, substantially the same loss or damage will be treated as one Default.

Circumstances may arise where, because of a Default, you are entitled to recover damages from IBM.

This section sets out the extent of IBM’s liability and your sole remedy.

1. IBM will accept unlimited liability for:
  - a. death or personal injury caused by the negligence of IBM; and
  - b. any breach of its obligations implied by Section 12 of the Sale of Goods Act 1979 or Section 2 of the Supply of Goods and Services Act 1982, or any statutory modification or re-enactment of either such Section.
2. IBM will accept unlimited liability, subject always to the **Items for Which IBM is Not Liable** below, for physical damage to your tangible property resulting from the negligence of IBM.
3. IBM’s entire liability for actual damages for any one Default will not in any event, except as provided in items 1 and 2 above, exceed the greater of 1) Pounds Sterling 75,000, or 2) 125% of the total purchase price payable or the charges for the Machine directly relating to the Default.

These limits also apply to IBM’s suppliers and resellers. They state the maximum for which IBM and such suppliers and resellers are collectively responsible.

### **Items for Which IBM is Not Liable**

Save with respect to any liability referred to in item 1 above, under no circumstances is IBM or any of its suppliers or resellers liable for any of the following, even if IBM or they were informed of the possibility of such losses:

1. loss of, or damage to, data;
2. special, indirect, or consequential loss; or
3. loss of profits, business, revenue, goodwill, or anticipated savings.

---

## Part 3 - Warranty Information

This Part 3 provides information regarding the warranty applicable to your Machine, including the warranty period and type of warranty service IBM provides.

### Warranty Period

The warranty period may vary by country or region and is specified in the table below.

**Note:** “Region” means either Hong Kong or Macau Special Administrative Region of China.

### Machine - IBM @server 325 Type 8835

Country or Region of Purchase	Warranty Period	Type of Warranty Service*
Worldwide	Parts - 1 year, labor - 1 year	1
* See “Types of Warranty Service” for the legend and explanations of warranty-service types.		

A warranty period of 3 years on parts and 1 year on labor means that IBM provides warranty service without charge for:

1. parts and labor during the first year of the warranty period; and
2. parts only, on an exchange basis, in the second and third years of the warranty period. IBM will charge you for any labor provided in performance of the repair or replacement(s) in the second and third year of the warranty period.

### Types of Warranty Service

If required, IBM provides repair or exchange service depending on the type of warranty service specified for your Machine in the above table and as described below. Warranty service may be provided by your reseller if approved by IBM to perform warranty service. Scheduling of service will depend upon the time of your call and is subject to parts availability. Service levels are response time objectives and are not guaranteed. The specified level of warranty service may not be available in all worldwide locations, additional charges may apply outside IBM's normal service area, contact your local IBM representative or your reseller for country and location specific information.

#### 1. **Customer Replaceable Unit (“CRU”) Service**

IBM will ship CRU parts to you for your replacement. If IBM instructs you to return the replaced CRU, you are responsible for returning it to IBM in accordance with IBM's instructions. If you do not return the defective CRU, if IBM so instructs, within 30 days of your receipt of the replacement CRU, IBM may charge you for the replacement.

#### 2. **On-site Service**

IBM or your reseller will either repair or exchange the failing Machine at your location and verify its operation. You must provide suitable working area to allow disassembly and reassembly of the IBM Machine. The area must be clean, well lit and suitable for the purpose. **For some Machines, certain repairs may require sending the Machine to an IBM service center.**

#### 3. **Courier or Depot Service\***

You will disconnect the failing Machine for collection arranged by IBM. IBM will provide you with a shipping container for you to return your Machine to a



designated service center. A courier will pick up your Machine and deliver it to the designated service center. Following its repair or exchange, IBM will arrange the return delivery of the Machine to your location. You are responsible for its installation and verification.

#### 4. **Customer Carry-In or Mail-In Service**

You will deliver or mail as IBM specifies (prepaid unless IBM specifies otherwise) the failing Machine suitably packaged to a location IBM designates. After IBM has repaired or exchanged the Machine, IBM will make it available for your collection or, for Mail-in Service, IBM will return it to you at IBM's expense, unless IBM specifies otherwise. You are responsible for the subsequent installation and verification of the Machine.

\* This type of service is called ThinkPad® EasyServ or EasyServ in some countries.

The IBM Machine Warranty World Wide Web site at [http://www.ibm.com/servers/support/machine\\_warranties/](http://www.ibm.com/servers/support/machine_warranties/) provides a worldwide overview of IBM Limited Warranty for Machines, a Glossary of IBM definitions, Frequently Asked Questions (FAQs) and Support by Product (Machine) with links to Product Support pages. **The IBM Statement of Limited Warranty is also available on this site in 29 languages.**

To obtain warranty service contact IBM or your IBM reseller. In Canada or the United States, call 1-800-IBM-SERV (426-7378). In the EU countries, see the telephone numbers below.

#### **EU Country Telephone List**

Phone numbers are subject to change without notice.

Austria -- 43-1-24592-5901	Italy -- 39-02-482-9202
Belgium -- 02-718-4339	Luxembourg -- 352-360385-1
Denmark -- 4520-8200	Netherlands -- 020-514-5770
Finland -- 358-9-4591	Portugal -- 351-21-7915-147
France -- 0238-557-450	Spain -- 34-91-662-4916
Germany -- 07032-15-4920	Sweden -- 46-8-477-4420
Greece -- 30-210-688-1220	United Kingdom -- 01475-555-055
Ireland -- 353-1-815-4000	



---

## Appendix C. Notices

This information was developed for products and services offered in the U.S.A.

IBM may not offer the products, services, or features discussed in this document in other countries. Consult your local IBM representative for information on the products and services currently available in your area. Any reference to an IBM product, program, or service is not intended to state or imply that only that IBM product, program, or service may be used. Any functionally equivalent product, program, or service that does not infringe any IBM intellectual property right may be used instead. However, it is the user's responsibility to evaluate and verify the operation of any non-IBM product, program, or service.

IBM may have patents or pending patent applications covering subject matter described in this document. The furnishing of this document does not give you any license to these patents. You can send license inquiries, in writing, to:

*IBM Director of Licensing  
IBM Corporation  
North Castle Drive  
Armonk, NY 10504-1785  
U.S.A.*

INTERNATIONAL BUSINESS MACHINES CORPORATION PROVIDES THIS PUBLICATION "AS IS" WITHOUT WARRANTY OF ANY KIND, EITHER EXPRESS OR IMPLIED, INCLUDING, BUT NOT LIMITED TO, THE IMPLIED WARRANTIES OF NON-INFRINGEMENT, MERCHANTABILITY OR FITNESS FOR A PARTICULAR PURPOSE. Some states do not allow disclaimer of express or implied warranties in certain transactions, therefore, this statement may not apply to you.

This information could include technical inaccuracies or typographical errors. Changes are periodically made to the information herein; these changes will be incorporated in new editions of the publication. IBM may make improvements and/or changes in the product(s) and/or the program(s) described in this publication at any time without notice.

Any references in this information to non-IBM Web sites are provided for convenience only and do not in any manner serve as an endorsement of those Web sites. The materials at those Web sites are not part of the materials for this IBM product, and use of those Web sites is at your own risk.

IBM may use or distribute any of the information you supply in any way it believes appropriate without incurring any obligation to you.

---

### Edition notice

**© Copyright International Business Machines Corporation 2003. All rights reserved.**

Note to U.S. Government Users Restricted Rights — Use, duplication, or disclosure restricted by GSA ADP Schedule Contract with IBM Corp.

---

## Trademarks

The following terms are trademarks of International Business Machines Corporation in the United States, other countries, or both:

Active Memory	OS/2 WARP
Active PCI	Predictive Failure Analysis
Active PCI-X	PS/2
Alert on LAN	ServeRAID
Chipkill	ServerGuide
EtherJet	ServerProven
e-business logo	TechConnect
@server	ThinkPad
FlashCopy	Tivoli
IBM	Tivoli Enterprise
IntelliStation	Update Connector
NetBAY	Wake on LAN
Netfinity	XpandOnDemand
NetView	xSeries

Lotus, Lotus Notes, SmartSuite, and Domino are trademarks of Lotus Development Corporation and/or IBM Corporation in the United States, other countries, or both.

Intel, MMX, and Pentium are trademarks of Intel Corporation in the United States, other countries, or both.

Microsoft, Windows, and Windows NT are trademarks of Microsoft Corporation in the United States, other countries, or both.

UNIX is a registered trademark of The Open Group in the United States and other countries.

Java and all Java-based trademarks and logos are trademarks or registered trademarks of Sun Microsystems, Inc. in the United States, other countries, or both.

AMD, AMD Opteron, and combinations thereof, are trademarks of Advanced Micro Devices, Inc.

Other company, product, or service names may be trademarks or service marks of others.

---

## Important notes

Processor speeds indicate the internal clock speed of the microprocessor; other factors also affect application performance.

CD-ROM drive speeds list the variable read rate. Actual speeds vary and are often less than the maximum possible.

When referring to processor storage, real and virtual storage, or channel volume, KB stands for approximately 1000 bytes, MB stands for approximately 1 000 000 bytes, and GB stands for approximately 1 000 000 000 bytes.

When referring to hard disk drive capacity or communications volume, MB stands for 1 000 000 bytes, and GB stands for 1 000 000 000 bytes. Total user-accessible capacity may vary depending on operating environments.

Maximum internal hard disk drive capacities assume the replacement of any standard hard disk drives and population of all hard disk drive bays with the largest currently supported drives available from IBM.

Maximum memory may require replacement of the standard memory with an optional memory module.

IBM makes no representation or warranties regarding non-IBM products and services that are ServerProven, including but not limited to the implied warranties of merchantability and fitness for a particular purpose. These products are offered and warranted solely by third parties.

IBM makes no representations or warranties with respect to non-IBM products. Support (if any) for the non-IBM products is provided by the third party, not IBM.

Some software may differ from its retail version (if available), and may not include user manuals or all program functionality.

---

## Product recycling and disposal

This unit contains materials such as circuit boards, cables, electromagnetic compatibility gaskets, and connectors which may contain lead and copper/beryllium alloys that require special handling and disposal at end of life. Before this unit is disposed of, these materials must be removed and recycled or discarded according to applicable regulations. IBM offers product-return programs in several countries. Information on product recycling offerings can be found on IBM's Internet site at <http://www.ibm.com/ibm/environment/products/prp.shtml>.

---

## Battery return program

This product may contain a sealed lead acid, nickel cadmium, nickel metal hydride, lithium, or lithium ion battery. Consult your user manual or service manual for specific battery information. The battery must be recycled or disposed of properly. Recycling facilities may not be available in your area. For information on disposal of batteries outside the United States, go to <http://www.ibm.com/ibm/environment/products/batteryrecycle.shtml> or contact your local waste disposal facility.

In the United States, IBM has established a collection process for reuse, recycling, or proper disposal of used IBM sealed lead acid, nickel cadmium, nickel metal hydride, and battery packs from IBM equipment. For information on proper disposal of these batteries, contact IBM at 1-800-426-4333. Have the IBM part number listed on the battery available prior to your call.

In the Netherlands, the following applies.



---

## Electronic emission notices

### Federal Communications Commission (FCC) statement

**Note:** This equipment has been tested and found to comply with the limits for a Class A digital device, pursuant to Part 15 of the FCC Rules. These limits are designed to provide reasonable protection against harmful interference when the equipment is operated in a commercial environment. This equipment generates, uses, and can radiate radio frequency energy and, if not installed and used in accordance with the instruction manual, may cause harmful interference to radio communications. Operation of this equipment in a residential area is likely to cause harmful interference, in which case the user will be required to correct the interference at his own expense.

Properly shielded and grounded cables and connectors must be used in order to meet FCC emission limits. IBM is not responsible for any radio or television interference caused by using other than recommended cables and connectors or by using other than recommended cables and connectors or by unauthorized changes or modifications to this equipment. Unauthorized changes or modifications could void the user's authority to operate the equipment.

This device complies with Part 15 of the FCC Rules. Operation is subject to the following two conditions: (1) this device may not cause harmful interference, and (2) this device must accept any interference received, including interference that may cause undesired operation.

### Industry Canada Class A emission compliance statement

This Class A digital apparatus complies with Canadian ICES-003.

#### Avis de conformité à la réglementation d'Industrie Canada

Cet appareil numérique de la classe A est conforme à la norme NMB-003 du Canada.

### Australia and New Zealand Class A statement

**Attention:** This is a Class A product. In a domestic environment this product may cause radio interference in which case the user may be required to take adequate measures.

### United Kingdom telecommunications safety requirement

#### Notice to Customers

This apparatus is approved under approval number NS/G/1234/J/100003 for indirect connection to public telecommunication systems in the United Kingdom.

### European Union EMC Directive conformance statement

This product is in conformity with the protection requirements of EU Council Directive 89/336/EEC on the approximation of the laws of the Member States relating to electromagnetic compatibility. IBM cannot accept responsibility for any failure to satisfy the protection requirements resulting from a nonrecommended modification of the product, including the fitting of non-IBM option cards.

This product has been tested and found to comply with the limits for Class A Information Technology Equipment according to CISPR 22/European Standard EN

55022. The limits for Class A equipment were derived for commercial and industrial environments to provide reasonable protection against interference with licensed communication equipment.

**Attention:** This is a Class A product. In a domestic environment this product may cause radio interference in which case the user may be required to take adequate measures.

## Taiwanese Class A warning statement

警告使用者：  
這是甲類的資訊產品，在  
居住的環境中使用時，可  
能會造成射頻干擾，在這  
種情況下，使用者會被要  
求採取某些適當的對策。

## Chinese Class A warning statement

声 明  
此为 A 级产品。在生活环境中，  
该产品可能会造成无线电干扰。  
在这种情况下，可能需要用户对其  
干扰采取切实可行的措施。

## Japanese Voluntary Control Council for Interference (VCCI) statement

この装置は、情報処理装置等電波障害自主規制協議会（VCCI）の基準に  
基づくクラスA情報技術装置です。この装置を家庭環境で使用すると電波妨害を  
引き起こすことがあります。この場合には使用者が適切な対策を講ずるよう要求  
されることがあります。

---

## Power cords

For your safety, IBM provides a power cord with a grounded attachment plug to use with this IBM product. To avoid electrical shock, always use the power cord and plug with a properly grounded outlet.

IBM power cords used in the United States and Canada are listed by Underwriter's Laboratories (UL) and certified by the Canadian Standards Association (CSA).

For units intended to be operated at 115 volts: Use a UL-listed and CSA-certified cord set consisting of a minimum 18 AWG, Type SVT or SJT, three-conductor cord, a maximum of 15 feet in length and a parallel blade, grounding-type attachment plug rated 15 amperes, 125 volts.

For units intended to be operated at 230 volts (U.S. use): Use a UL-listed and CSA-certified cord set consisting of a minimum 18 AWG, Type SVT or SJT, three-conductor cord, a maximum of 15 feet in length and a tandem blade, grounding-type attachment plug rated 15 amperes, 250 volts.

For units intended to be operated at 230 volts (outside the U.S.): Use a cord set with a grounding-type attachment plug. The cord set should have the appropriate safety approvals for the country in which the equipment will be installed.

IBM power cords for a specific country or region are usually available only in that country or region.

<b>IBM power cord part number</b>	<b>Used in these countries and regions</b>
02K0546	China
13F9940	Australia, Fiji, Kiribati, Nauru, New Zealand, Papua New Guinea
13F9979	Afghanistan, Albania, Algeria, Andorra, Angola, Armenia, Austria, Azerbaijan, Belarus, Belgium, Benin, Bosnia and Herzegovina, Bulgaria, Burkina Faso, Burundi, Cambodia, Cameroon, Cape Verde, Central African Republic, Chad, Comoros, Congo (Democratic Republic of), Congo (Republic of), Cote D'Ivoire (Ivory Coast), Croatia (Republic of), Czech Republic, Dahomey, Djibouti, Egypt, Equatorial Guinea, Eritrea, Estonia, Ethiopia, Finland, France, French Guyana, French Polynesia, Germany, Greece, Guadeloupe, Guinea, Guinea Bissau, Hungary, Iceland, Indonesia, Iran, Kazakhstan, Kyrgyzstan, Laos (People's Democratic Republic of), Latvia, Lebanon, Lithuania, Luxembourg, Macedonia (former Yugoslav Republic of), Madagascar, Mali, Martinique, Mauritania, Mauritius, Mayotte, Moldova (Republic of), Monaco, Mongolia, Morocco, Mozambique, Netherlands, New Caledonia, Niger, Norway, Poland, Portugal, Reunion, Romania, Russian Federation, Rwanda, Sao Tome and Principe, Saudi Arabia, Senegal, Serbia, Slovakia, Slovenia (Republic of), Somalia, Spain, Suriname, Sweden, Syrian Arab Republic, Tajikistan, Tahiti, Togo, Tunisia, Turkey, Turkmenistan, Ukraine, Upper Volta, Uzbekistan, Vanuatu, Vietnam, Wallis and Futuna, Yugoslavia (Federal Republic of), Zaire
13F9997	Denmark
14F0015	Bangladesh, Lesotho, Maceo, Maldives, Namibia, Nepal, Pakistan, Samoa, South Africa, Sri Lanka, Swaziland, Uganda
14F0033	Abu Dhabi, Bahrain, Botswana, Brunei Darussalam, Channel Islands, China (Hong Kong S.A.R.), Cyprus, Dominica, Gambia, Ghana, Grenada, Iraq, Ireland, Jordan, Kenya, Kuwait, Liberia, Malawi, Malaysia, Malta, Myanmar (Burma), Nigeria, Oman, Polynesia, Qatar, Saint Kitts and Nevis, Saint Lucia, Saint Vincent and the Grenadines, Seychelles, Sierra Leone, Singapore, Sudan, Tanzania (United Republic of), Trinidad and Tobago, United Arab Emirates (Dubai), United Kingdom, Yemen, Zambia, Zimbabwe
14F0051	Liechtenstein, Switzerland
14F0069	Chile, Italy, Libyan Arab Jamahiriya
14F0087	Israel



<b>IBM power cord part number</b>	<b>Used in these countries and regions</b>
1838574	Antigua and Barbuda, Aruba, Bahamas, Barbados, Belize, Bermuda, Bolivia, Brazil, Caicos Islands, Canada, Cayman Islands, Costa Rica, Colombia, Cuba, Dominican Republic, Ecuador, El Salvador, Guam, Guatemala, Haiti, Honduras, Jamaica, Japan, Mexico, Micronesia (Federal States of), Netherlands Antilles, Nicaragua, Panama, Peru, Philippines, Taiwan, United States of America, Venezuela
24P6858	Korea (Democratic People's Republic of), Korea (Republic of)
34G0232	Japan
36L8880	Argentina, Paraguay, Uruguay
49P2078	India
49P2110	Brazil
6952300	Antigua and Barbuda, Aruba, Bahamas, Barbados, Belize, Bermuda, Bolivia, Caicos Islands, Canada, Cayman Islands, Colombia, Costa Rica, Cuba, Dominican Republic, Ecuador, El Salvador, Guam, Guatemala, Haiti, Honduras, Jamaica, Mexico, Micronesia (Federal States of), Netherlands Antilles, Nicaragua, Panama, Peru, Philippines, Saudi Arabia, Thailand, Taiwan, United States of America, Venezuela



---

# Index

## A

- acoustical noise emissions 5
- activity LEDs
  - CD-ROM drive 27
  - Ethernet 29
  - hard disk drive 27, 28
- adapter
  - considerations 9
  - installing 9, 12
  - PCI-X buses 9
  - RAID requirements 9
- attention notices 3

## B

- baseboard management controller firmware 34
- beep codes 39

## C

- cable connectors
  - Ethernet 29
  - front 27
  - power 29
  - rear 29
  - serial 29
  - USB 28, 29
  - video 29
- cable-routing for adapter 10, 11
- caution statements 3
- CD-eject button 27
- CD-ROM drive
  - activity LED 27
  - problems 43
  - specifications 5
- Class A electronic emission notice 72
- components
  - adapter 12
  - hot-swap drive 16
  - major, locations 6
  - memory module 19
  - microprocessor 22
  - non-hot-swap drive 17
- configuration, updating server 25
- Configuration/Setup Utility program 33
- connector
  - Ethernet 29
  - local area network (LAN) 29
  - power cord 29
  - serial 29
  - USB 28, 29
  - video 29
- controls
  - front 27
  - operator information panel 28
- cover
  - installing 24

- cover (*continued*)
  - removing 8

## D

- danger statements 3
- diskette drive
  - problems 43
  - USB 25
- documentation CD 2
- dual in-line memory module (DIMM), installing 18

## E

- electrical input specifications 5
- electronic emission Class A notice 72
- environment
  - air temperature 5
  - humidity 5
- error messages, POST 42
- Ethernet
  - activity LEDs 29
  - connector 29
  - link LED 29
- expansion enclosure problems 43
- expansion slot
  - clip 13
  - specifications 5

## F

- FCC Class A notice 72
- features 4
- firmware code, updating 34
- front view 25, 27

## G

- Gigabit Ethernet connectors 29

## H

- hard disk drive
  - activity LED 27, 28
  - hot-swap
    - installing 16
    - preinstallation steps 16
    - SCSI IDs 15
  - non-hot-swap, installing 17
  - problems 44
  - status LED 15, 28
  - types supported 15
- heat output specifications 5

## I

- important notices 3
- information LED 28
- input/output connectors 25, 27
- installing
  - adapter 12
  - cover 24
  - hot-swap hard disk drive 16
  - memory 19
  - microprocessor 20
  - non-hot-swap hard disk drive 17
  - operating system 33
- integrated
  - baseboard management controller firmware, updating 34
  - functions 5
- intermittent problems 44

## K

- keyboard problems 44

## L

- LEDs
  - activity 29
  - CD-ROM drive activity 27
  - front 27
  - hard disk drive activity 27, 28
  - hard disk drive status 15, 28
  - information 28
  - link 29
  - operator information panel 28
  - power 27, 29
  - rear panel 29
  - system error 28, 29
  - system locator 28
- link LED 29
- local area network (LAN) connectors 29

## M

- major components 6
- memory
  - installing 19
  - modules 18
  - problems 45
  - specifications 5
  - type supported 18
- microprocessor
  - installing 20
  - problems 45
  - specifications 5
- monitor problems 45
- mouse problems 44

## N

- network operating system (NOS) installation 33
- notes, important 3, 70

- notices
  - electronic emission 72
  - FCC, Class A 72
- notices and statements 3

## O

- online publications 1
- operating-system installation 33
- operator information panel 28
- option problems 46

## P

- PCI-X buses 9
- PCI-X expansion slots 9
- pointing device problems 44
- POST error messages 42
- power
  - control button 27
  - cord connector 29
  - LED 27, 29
  - supply, specifications 5
- power cords 73
- power problems 47
- problems
  - CD-ROM drive 43
  - diskette drive 43
  - expansion enclosure 43
  - general 43
  - hard disk drive 44
  - intermittent 44
  - keyboard 44
  - memory 45
  - microprocessor 45
  - mouse 44
  - option 46
  - pointing device 44
  - power 47
  - serial port 47
  - software 47
  - USB device 48

## R

- RAID adapter
  - cabling 10
  - installing 9
- rear view 25
- redundant array of independent disks (RAID) requirements 9
- Remote Supervisor Adapter II
  - cabling 11
  - setup 26
- removing the cover 8
- reset button 27
- riser card 13

## S

- SCSI IDs 15
- serial connector 29
- serial port problems 47
- server Web sites 1
- size, server 5
- slots.
  - See expansion slot
- software problems 47
- solving problems 39
- specifications 4
- statements and notices 3
- status LEDs
  - Ethernet 29
  - hard disk drive 15, 28
  - server 28
- system-error LED 28, 29
- system-locator LED 28

## T

- trademarks 70
- transmit/receive activity LEDs 29
- troubleshooting chart 43
- turning off the server 30
- turning on the server 30

## U

- United States electronic emission Class A notice 72
- United States FCC Class A notice 72
- Universal Serial Bus (USB) problems 48
- updating the firmware code 34
- USB
  - connectors 28, 29
  - requirements 25

## V

- video
  - connector 29
  - controller specifications 5

## W

- Web site
  - IBM server products 1
  - IBM support 20







Part Number: 88P9310

Printed in U.S.A.

(1P) P/N: 88P9310

