



IBM @server 325 Type 8835
Option Installation Guide





@server

IBM @server 325 Type 8835
Option Installation Guide

Note: Before using this information and the product it supports, read the general information in “Notices”, on page 35.

First Edition (September 2003)

© Copyright International Business Machines Corporation 2003. All rights reserved.

US Government Users Restricted Rights – Use, duplication or disclosure restricted by GSA ADP Schedule Contract with IBM Corp.

Contents

Safety	v
Chapter 1. Introduction	1
Related publications	1
Notices and statements used in this book	2
Major components of the @server 325 Type 8835 server	3
System-board internal connectors	4
System-board switches and jumpers	5
System-board external connectors	6
System-board LEDs	7
System-board option connectors	8
Chapter 2. Installing options	9
Installation guidelines	9
System reliability guidelines	9
Handling static-sensitive devices	9
Server power features	10
Turning on the server	10
Turning off the server	10
Removing the cover and bezel	11
Installing an adapter	12
Installing a hard disk drive	18
Installing a hot-swap hard disk drive	19
Installing a non-hot-swap hard disk drive	20
Installing a memory module	21
Installing an additional microprocessor	23
Replacing the battery	27
Replacing a fan assembly	29
Completing the installation	31
Connecting the cables	31
Updating the server configuration	32
Chapter 3. I/O connectors	33
Ethernet (RJ-45) connectors	34
Serial connector	34
Universal Serial Bus connectors	34
Video connector	34
Appendix. Notices	35
Edition notice	35
Trademarks	36
Important notes	36
Product recycling and disposal	37
Battery return program	37
Electronic emission notices	38
Federal Communications Commission (FCC) statement	38
Industry Canada Class A emission compliance statement	38
Australia and New Zealand Class A statement	38
United Kingdom telecommunications safety requirement	39
European Union EMC Directive conformance statement	39
Taiwanese Class A warning statement	39
Chinese Class A warning statement	39
Japanese Voluntary Control Council for Interference (VCCI) statement	40

Power cords	40
Index	43

Safety

Before installing this product, read the Safety Information.

قبل تركيب هذا المنتج، يجب قراءة الملاحظات الأمنية

Antes de instalar este produto, leia as Informações de Segurança.

在安裝本產品之前，請仔細閱讀 **Safety Information**
(安全信息)。

安裝本產品之前，請先閱讀「安全資訊」。

Prije instalacije ovog produkta obavezno pročitajte Sigurnosne Upute.

Před instalací tohoto produktu si přečtěte příručku bezpečnostních instrukcí.

Læs sikkerhedsforskrifterne, før du installerer dette produkt.

Lees voordat u dit product installeert eerst de veiligheidsvoorschriften.

Ennen kuin asennat tämän tuotteen, lue turvaohjeet kohdasta Safety Information.

Avant d'installer ce produit, lisez les consignes de sécurité.

Vor der Installation dieses Produkts die Sicherheitshinweise lesen.

Πριν εγκαταστήσετε το προϊόν αυτό, διαβάστε τις πληροφορίες ασφάλειας
(safety information).

לפני שתתקינו מוצר זה, קראו את הוראות הבטיחות.

A termék telepítése előtt olvassa el a Biztonsági előírásokat!

Prima di installare questo prodotto, leggere le Informazioni sulla Sicurezza.

製品の設置の前に、安全情報をお読みください。

본 제품을 설치하기 전에 안전 정보를 읽으십시오.

Пред да се инсталира овој продукт, прочитајте информацијата за безбедност.

Les sikkerhetsinformasjonen (Safety Information) før du installerer dette produktet.

Przed zainstalowaniem tego produktu, należy zapoznać się
z książką "Informacje dotyczące bezpieczeństwa" (Safety Information).

Antes de instalar este produto, leia as Informações sobre Segurança.

Перед установкой продукта прочтите инструкции по
технике безопасности.

Pred inštaláciou tohto zariadenia si pečítajte Bezpečnostné predpisy.

Pred namestitvijo tega proizvoda preberite Varnostne informacije.

Antes de instalar este producto, lea la información de seguridad.

Läs säkerhetsinformationen innan du installerar den här produkten.

Important:

All caution and danger statements in this documentation begin with a number. This number is used to cross reference an English caution or danger statement with translated versions of the caution or danger statement in the *IBM Safety Information* book.

For example, if a caution statement begins with a number 1, translations for that caution statement appear in the *IBM Safety Information* book under statement 1.

Be sure to read all caution and danger statements in this documentation before performing the instructions. Read any additional safety information that comes with your server or optional device before you install the device.

Statement 1:



DANGER

Electrical current from power, telephone, and communication cables is hazardous.

To avoid a shock hazard:

- **Do not connect or disconnect any cables or perform installation, maintenance, or reconfiguration of this product during an electrical storm.**
- **Connect all power cords to a properly wired and grounded electrical outlet.**
- **Connect to properly wired outlets any equipment that will be attached to this product.**
- **When possible, use one hand only to connect or disconnect signal cables.**
- **Never turn on any equipment when there is evidence of fire, water, or structural damage.**
- **Disconnect the attached power cords, telecommunications systems, networks, and modems before you open the device covers, unless instructed otherwise in the installation and configuration procedures.**
- **Connect and disconnect cables as described in the following table when installing, moving, or opening covers on this product or attached devices.**

To Connect:

1. Turn everything OFF.
2. First, attach all cables to devices.
3. Attach signal cables to connectors.
4. Attach power cords to outlet.
5. Turn device ON.

To Disconnect:

1. Turn everything OFF.
2. First, remove power cords from outlet.
3. Remove signal cables from connectors.
4. Remove all cables from devices.

Statement 2:



CAUTION:

When replacing the lithium battery, use only IBM Part Number 33F8354 or an equivalent type battery recommended by the manufacturer. If your system has a module containing a lithium battery, replace it only with the same module type made by the same manufacturer. The battery contains lithium and can explode if not properly used, handled, or disposed of.

Do not:

- **Throw or immerse into water**
- **Heat to more than 100°C (212°F)**
- **Repair or disassemble**

Dispose of the battery as required by local ordinances or regulations.

Statement 3:



CAUTION:

When laser products (such as CD-ROMs, DVD drives, fiber optic devices, or transmitters) are installed, note the following:

- Do not remove the covers. Removing the covers of the laser product could result in exposure to hazardous laser radiation. There are no serviceable parts inside the device.
- Use of controls or adjustments or performance of procedures other than those specified herein might result in hazardous radiation exposure.



DANGER

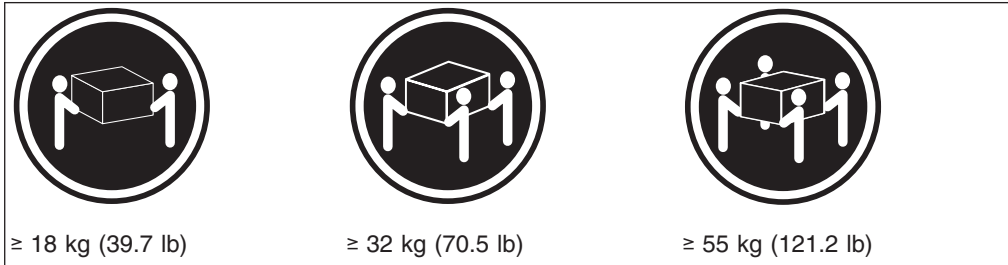
Some laser products contain an embedded Class 3A or Class 3B laser diode. Note the following.

Laser radiation when open. Do not stare into the beam, do not view directly with optical instruments, and avoid direct exposure to the beam.



Class 1 Laser Product
Laser Klasse 1
Laser Klass 1
Luokan 1 Laserlaite
Appareil À Laser de Classe 1

Statement 4:



CAUTION:

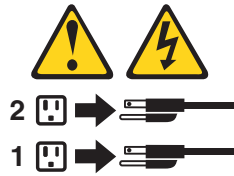
Use safe practices when lifting.

Statement 5:



CAUTION:

The power control button on the device and the power switch on the power supply do not turn off the electrical current supplied to the device. The device also might have more than one power cord. To remove all electrical current from the device, ensure that all power cords are disconnected from the power source.



Statement 8:



CAUTION:

Never remove the cover on a power supply or any part that has the following label attached.



Hazardous voltage, current, and energy levels are present inside any component that has this label attached. There are no serviceable parts inside these components. If you suspect a problem with one of these parts, contact a service technician.

Statement 10:



CAUTION:

Do not place any object weighing more than 82 kg (180 lb) on top of rack-mounted devices.



>82 kg (180 lb)

WARNING: Handling the cord on this product or cords associated with accessories sold with this product, will expose you to lead, a chemical known to the State of California to cause cancer, and birth defects or other reproductive harm. **Wash hands after handling.**

ADVERTENCIA: El contacto con el cable de este producto o con cables de accesorios que se venden junto con este producto, pueden exponerle al plomo, un elemento químico que en el estado de California de los Estados Unidos está considerado como un causante de cancer y de defectos congénitos, además de otros riesgos reproductivos. **Lávese las manos después de usar el producto.**

Chapter 1. Introduction

This *Option Installation Guide* contains instructions for installing, removing, and connecting optional devices that your server supports.

Related publications

In addition to this *Option Installation Guide*, the following documentation comes with your server:

- *User's Guide*

This publication is in Portable Document Format (PDF) on the IBM® @server *Documentation CD*. It contains general information about your server.

- *Installation Guide*

This printed publication contains instructions for setting up your server and basic instructions for installing some options.

- *Safety Information*

This publication is in PDF on the IBM @server *Documentation CD*. It contains translated caution and danger statements. Each caution and danger statement that appears in the documentation has a number that you can use to locate the corresponding statement in your language in the *Safety Information* book.

- *Rack Installation Instructions*

This printed publication contains instructions for installing your server in a rack.

- *Hardware Maintenance Manual and Troubleshooting Guide*

This publication is in PDF on the IBM @server *Documentation CD*. It contains information to help you solve problems yourself, and it contains information for service technicians.

Depending on your server model, additional publications might be included on the IBM @server *Documentation CD*.

Your server might have features that are not described in the documentation that you received with the server. The documentation might be updated occasionally to include information about those features, or technical updates might be available to provide additional information that is not included in your server documentation. These updates are available from the IBM Web site. Complete the following steps to check for updated documentation and technical updates:

1. Go to <http://www.ibm.com/pc/support/>.
2. In the **Learn** section, click **Online publications**.
3. On the "Online publications" page, in the **Brand** field, select **Servers**.
4. In the **Family** field, select **@server 325**.
5. Click **Display documents**.

Notices and statements used in this book

The caution and danger statements that appear in this book are also in the multilingual *Safety Information* book, which is on the IBM @server *Documentation* CD. Each statement is numbered for reference to the corresponding statement in the *Safety Information* book.

The following notices and statements are used in the documentation:

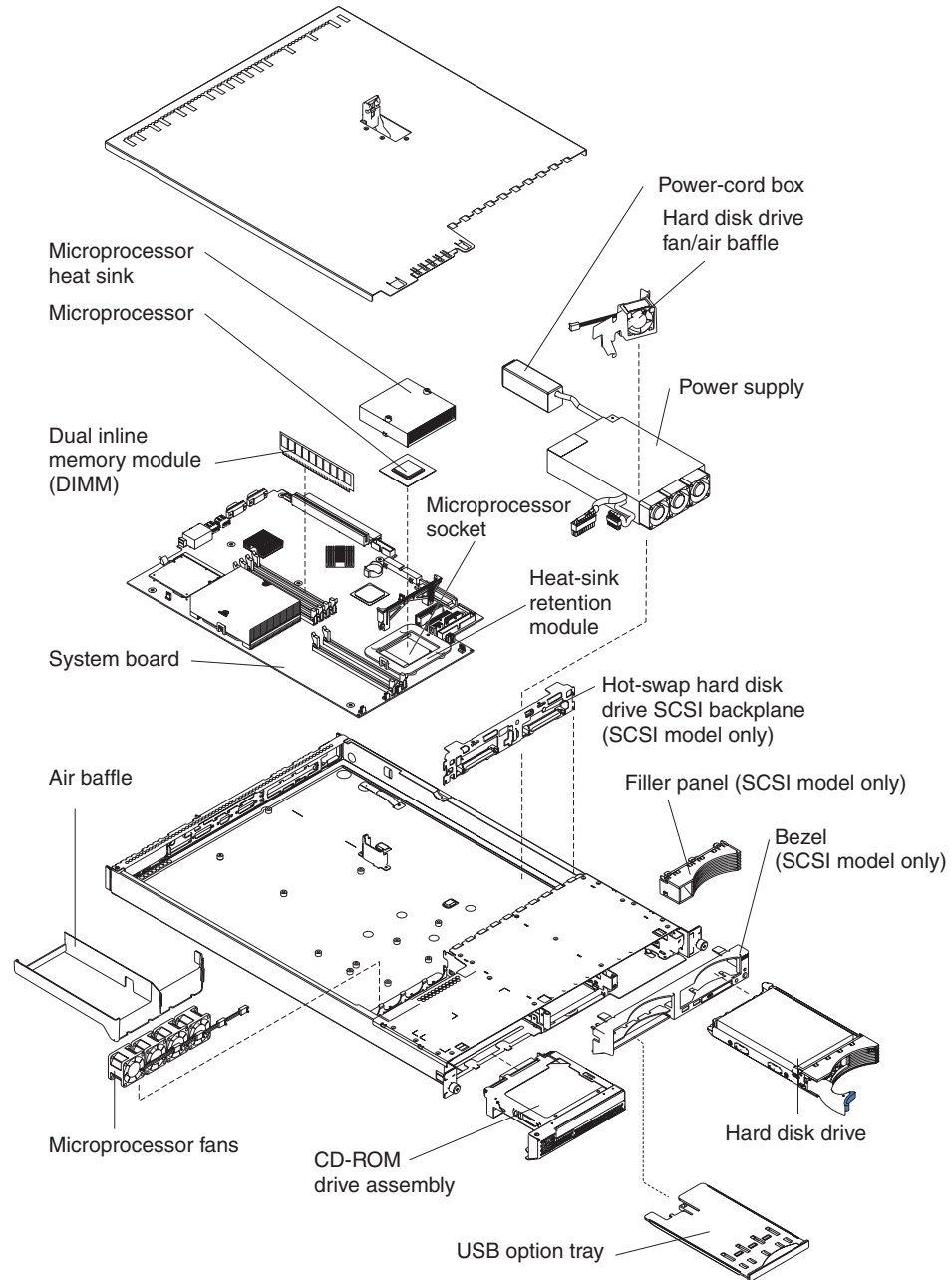
- **Notes:** These notices provide important tips, guidance, or advice.
- **Important:** These notices provide information or advice that might help you avoid inconvenient or problem situations.
- **Attention:** These notices indicate potential damage to programs, devices, or data. An attention notice is placed just before the instruction or situation in which damage could occur.
- **Caution:** These statements indicate situations that can be potentially hazardous to you. A caution statement is placed just before the description of a potentially hazardous procedure step or situation.
- **Danger:** These statements indicate situations that can be potentially lethal or extremely hazardous to you. A danger statement is placed just before the description of a potentially lethal or extremely hazardous procedure step or situation.

Major components of the @server 325 Type 8835 server

The blue color on components and labels indicates touch points, where a component can be gripped, a latch moved, and so on.

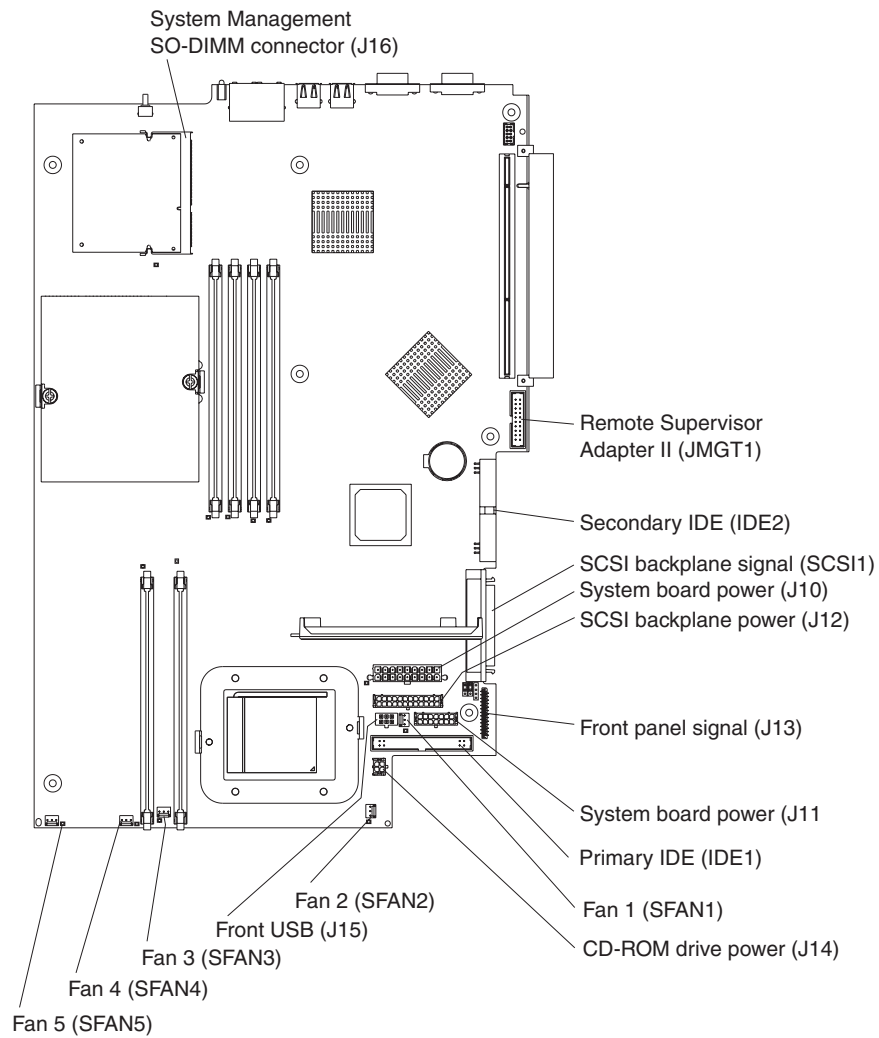
The following illustration shows the locations of major components in a small computer system interface (SCSI) hot-swap hard disk drive model server. An integrated drive electronics (IDE) non-hot-swap hard disk drive model is also available.

Note: The illustrations in this publication might differ slightly from your hardware.



System-board internal connectors

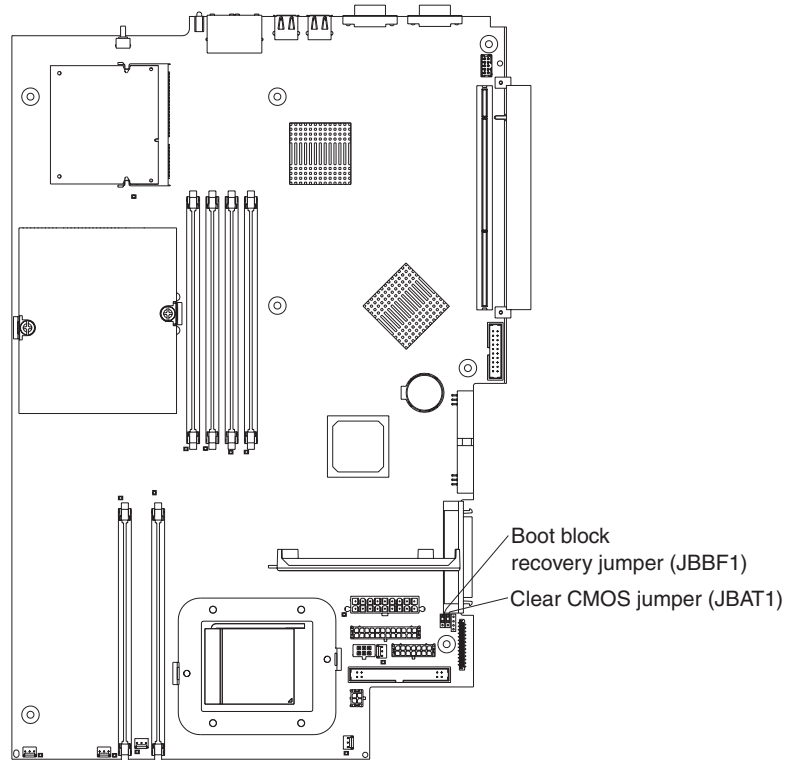
The following illustration shows the internal connectors on the system board.



System-board switches and jumpers

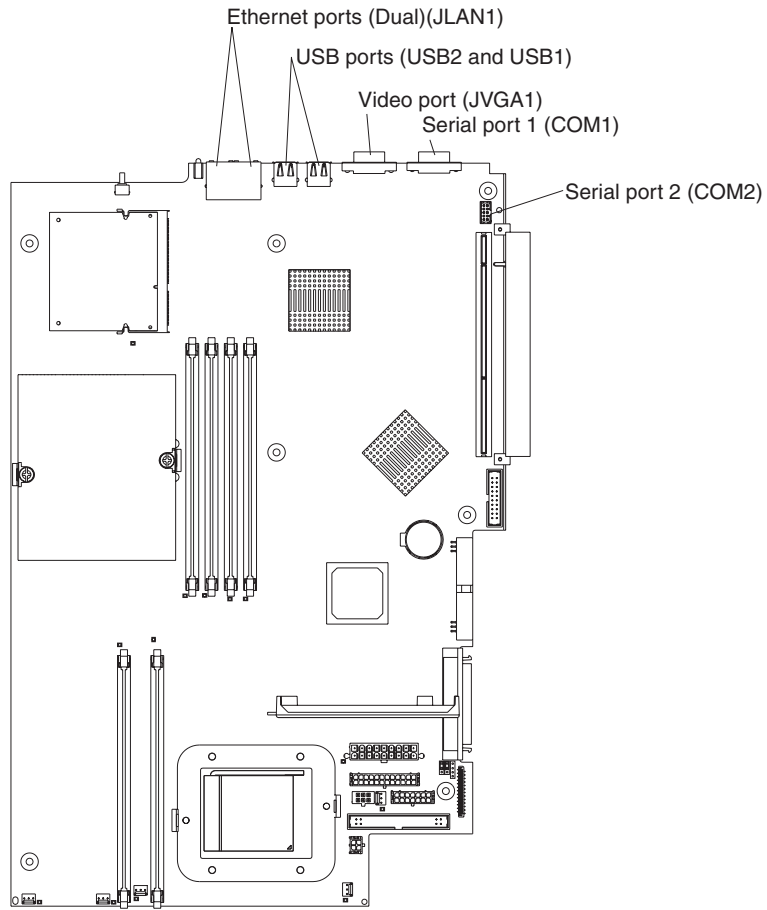
The following illustration shows the switches and jumpers on the system board.

Any jumper blocks on the system board that are not shown in the illustration are reserved. See the section about recovering the basic input/output system (BIOS) code in the *Hardware Maintenance Manual and Troubleshooting Guide* on the IBM @server Documentation CD for information about the boot block recovery jumper.



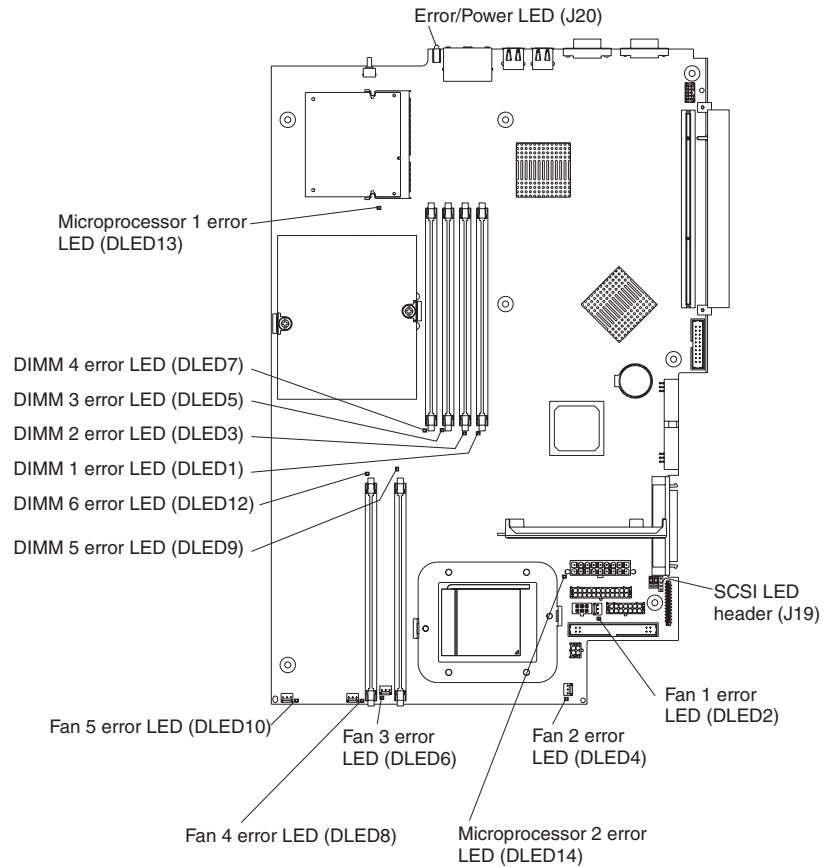
System-board external connectors

The following illustration shows the external input/output connectors (ports) on the system board.



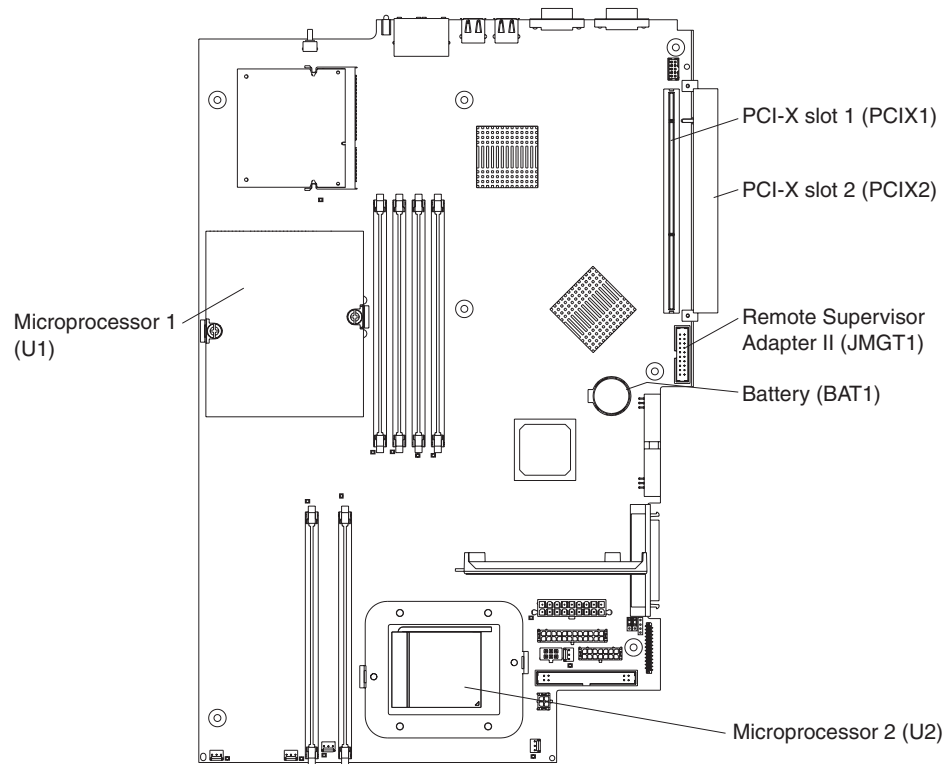
System-board LEDs

The following illustration shows the light-emitting diodes (LEDs) on the system board. For more information about the system-board LEDs, see the *Hardware Maintenance Manual and Troubleshooting Guide* on the IBM @server Documentation CD.



System-board option connectors

The following illustration shows the connectors on the system board for user-installable options.



Note: The VRMs for the microprocessors are on the system board.

Chapter 2. Installing options

This chapter provides detailed instructions for installing hardware options in your server.

Installation guidelines

Before you begin installing options in your server, read the following information:

- Read the safety information beginning on page v, and the guidelines in “Handling static-sensitive devices”. This information will help you work safely with your server and options.
- Make sure that you have an adequate number of properly grounded electrical outlets for your server, monitor, and other devices that you will connect to the server.
- Back up all important data before you make changes to disk drives.
- Have a small flat-blade screwdriver available.
- For a list of supported options for your server, go to <http://www.ibm.com/pc/us/compat/>.

System reliability guidelines

To help ensure proper system cooling and system reliability, make sure that:

- Each of the drive bays has a drive or a filler panel and electromagnetic compatibility (EMC) shield installed in it.
- There is adequate space around the server to allow the server cooling system to work properly. See the documentation that comes with the rack.
- You have followed the cabling instructions that come with optional adapters.
- You have replaced a failed fan as soon as possible.

Handling static-sensitive devices

Attention: Static electricity can damage electronic devices, including your server. To avoid damage, keep static-sensitive devices in their static-protective packages until you are ready to install them.

To reduce the possibility of damage from electrostatic discharge, observe the following precautions:

- Limit your movement. Movement can cause static electricity to build up around you.
- Handle the device carefully, holding it by its edges or its frame.
- Do not touch solder joints, pins, or exposed circuitry.
- Do not leave the device where others can handle and damage it.
- While the device is still in its static-protective package, touch it to an unpainted metal part of the server for at least 2 seconds. This drains static electricity from the package and from your body.
- Remove the device from its package and install it directly into the server without setting down the device. If it is necessary to set down the device, put it back into its static-protective package. Do not place the device on your server cover or on a metal surface.
- Take additional care when handling devices during cold weather. Heating reduces indoor humidity and increases static electricity.

Server power features

When the server is connected to an ac power source but is not turned on, the operating system does not run, and all core logic except for the service processor (also called the baseboard management controller) is shut down; however, the server can respond to requests from the service processor, such as a remote request to turn on the server. The power-on LED flashes to indicate that the server is connected to ac power but not turned on.

Turning on the server

Approximately 20 seconds after the server is connected to ac power, the power-control button becomes active, and you can turn on the server and start the operating system by pressing the power-control button.

The server can also be turned on in any of the following ways:

- If a power failure occurs while the server is turned on, the server will restart automatically when power is restored.
- If the server is connected to an Advanced System Management interconnect network that contains at least one server with an optional Remote Supervisor Adapter II installed, the server can be turned on from the Remote Supervisor Adapter II user interface.
- If your operating system supports the system-management software for an optional Remote Supervisor Adapter II (when available), the system-management software can turn on the server.
- If your operating system supports the Wake on LAN[®] feature, the Wake on LAN feature can turn on the server.

Turning off the server

When you turn off the server and leave it connected to ac power, the server can respond to requests from the service processor, such as a remote request to turn on the server. To remove all power from the server, you must disconnect it from the power source.

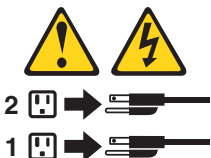
Some operating systems require an orderly shutdown before you turn off the server. See your operating-system documentation for information about shutting down the operating system.

Statement 5:



CAUTION:

The power control button on the device and the power switch on the power supply do not turn off the electrical current supplied to the device. The device also might have more than one power cord. To remove all electrical current from the device, ensure that all power cords are disconnected from the power source.



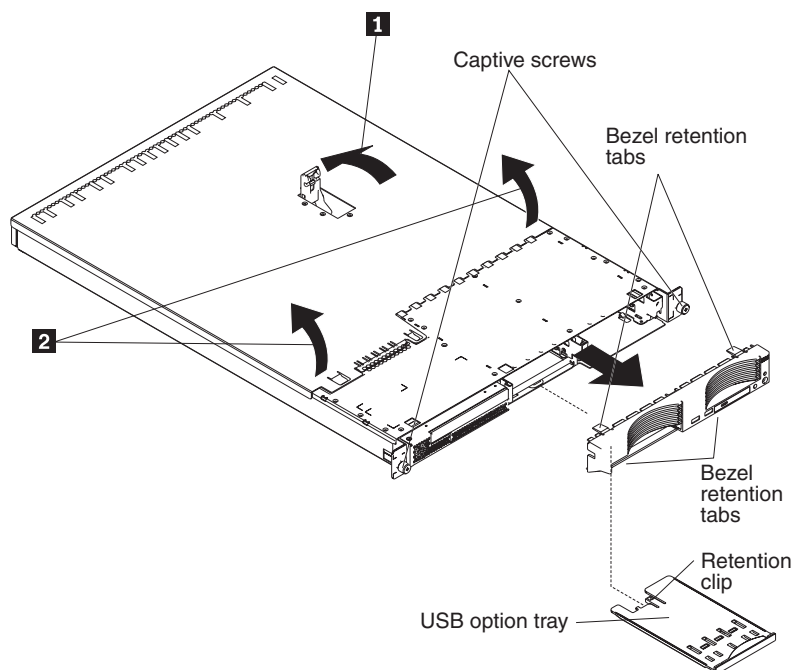
The server can be turned off in any of the following ways:

- You can turn off the server from the operating system, if your operating system supports this feature. After an orderly shutdown of the operating system, the server will be turned off automatically.
- You can press the power-control button to start an orderly shutdown of the operating system and turn off the server, if your operating system supports this feature.
- If the operating system stops functioning, you can press and hold the power-control button for more than 4 seconds to turn off the server.
- If the server is connected to an Advanced System Management interconnect network that contains at least one server with an optional Remote Supervisor Adapter II installed, the server can be turned off from the Remote Supervisor Adapter II user interface.
- If an optional Remote Supervisor Adapter II is installed in the server, the server can be turned off from the Remote Supervisor Adapter II user interface.
- If the Wake on LAN feature turned on the server, the Wake on LAN feature can turn off the server.
- The service processor can turn off the server as an automatic response to a critical system failure.
- You can turn off the server through a request from the service processor.

Removing the cover and bezel

Complete the following steps to remove the cover and bezel (with the server out of the rack):

1. Read the safety information beginning on page v, and “Installation guidelines” on page 9.
2. Turn off the server and all attached peripheral devices. Disconnect all power cords; then, disconnect all external signal cables from the server.
3. Remove the server from the rack. Lift the cover release latch; the cover slides to the rear approximately 13 mm (0.5 inch).



4. Lift the cover off the server.
Attention: For proper cooling and airflow, replace the cover before turning on the server. Operating the server for extended periods of time (more than 30 minutes) with the cover removed will damage server components.
5. If you are installing a non-hot-swap hard disk drive, remove the USB option tray. Press in on the USB option tray (below hard disk drive bay 1) to release it and slide the tray out until it stops; then, press the retention clip at the bottom rear of the tray and remove the tray from the server.

Note: You need to remove the USB option tray and the bezel only if you are installing a non-hot-swap hard disk drive. It is not necessary if you are installing other options in the server.
6. Press on the bezel retention tabs on the top, right side and bottom of the server, and pull the bezel directly away from the server.

Installing an adapter

The following notes describe the types of adapters that your server supports and other information that you must consider when installing an adapter:

- Read the documentation that comes with your operating system.
- Locate the documentation that comes with the adapter and follow those instructions in addition to the instructions in this section. If you need to change switch settings or jumper settings on the adapter, follow the instructions that come with the adapter.
- The server comes with two 64-bit 100 MHz peripheral component interconnect-extended (PCI-X) adapter expansion slots on the system board. The server is designed specifically for PCI-X adapter support, but it also supports PCI adapters.
- The expansion slots support both 32-bit and 64-bit adapters. You can install half-length adapters in slot 2. You can install full-length adapters in slot 1.

Note: If you install both 32-bit and 64-bit adapters, the PCI bus will operate at the slower speed.

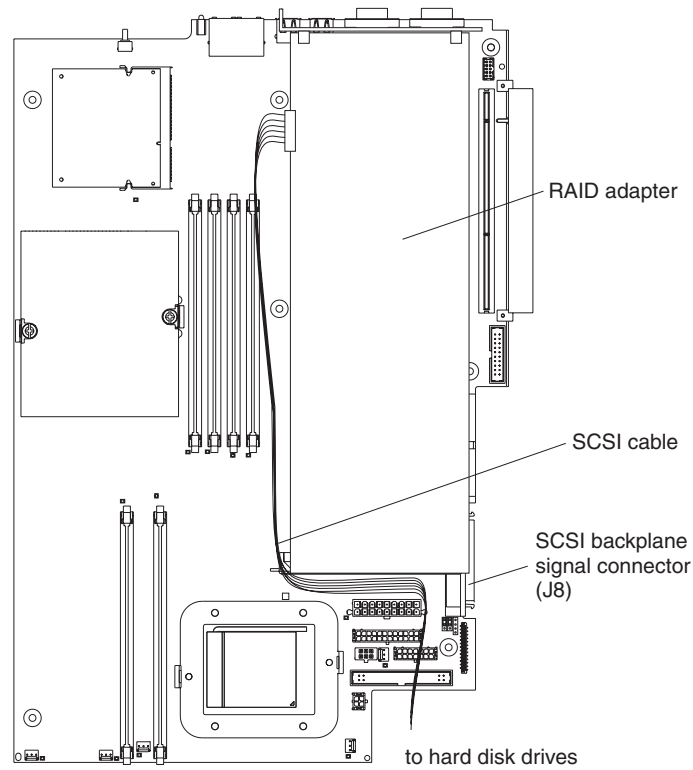
- The server supports 3.3 V and universal PCI and PCI-X adapters; it does not support 5.0-V-only adapters.
- The integrated video controller is on PCI bus 1. The integrated Ethernet controllers and the integrated SCSI controller are on PCI-X bus 2. PCI-X slot 1 and PCI-X slot 2 are on PCI-X bus 3.
- The server scans PCI-X slots 1 and 2 to assign system resources. By default, the server starts (boots) devices in the following order: system IDE and SCSI devices; then, PCI and PCI-X devices.

Note: To change the boot precedence for PCI and PCI-X devices you must disable the devices through the Configuration/Setup Utility program. Start the Configuration/Setup Utility program and select **Startup** from the main menu. Then, select **Startup Sequence** and use the arrow keys to specify the startup order. For more information, see the *User's Guide* on the IBM @server Documentation CD.

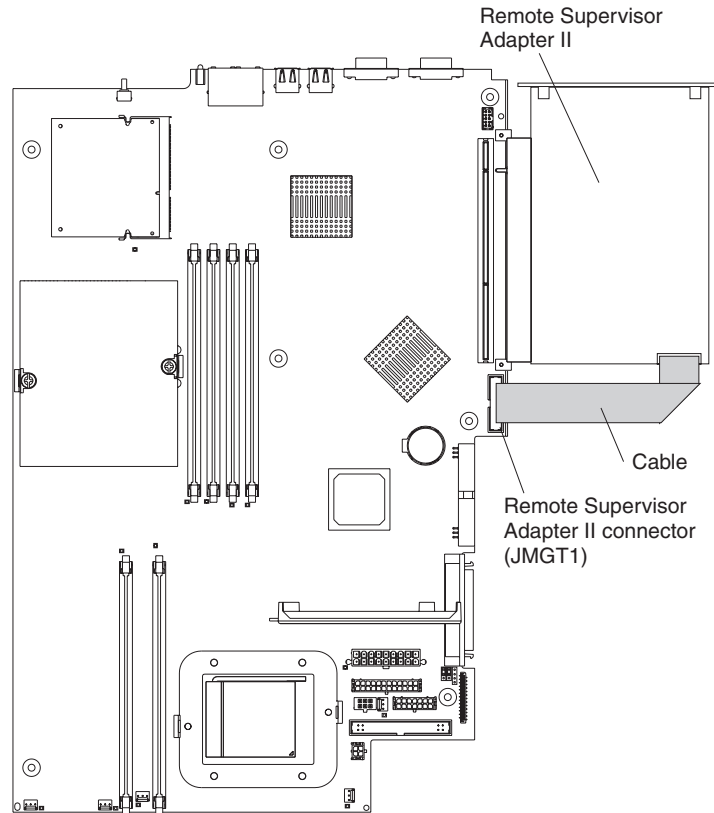
- If you plan to install either an optional SCSI adapter or an optional redundant array of independent disks (RAID) adapter, you can install it in either of the PCI-X slots if the size of the adapter permits. The server supports a variety of RAID adapters for both internal and external configurations. For the most current list of supported RAID adapters, go to <http://www.ibm.com/pc/us/compat/> on the

World Wide Web. For details about installing a RAID adapter, see the documentation that comes with the adapter.

- If you plan to use a RAID adapter to control internal hot-swap hard disk drives, disconnect the SCSI cable from the SCSI backplane signal connector (SCSI1) on the system board and connect it to the RAID adapter. The following illustration shows the cable routing if you are installing the RAID adapter in PCI-X slot 1. See the documentation that comes with the RAID adapter for any additional cabling instructions. That documentation also provides information about installing the RAID software and configuring the RAID adapter.

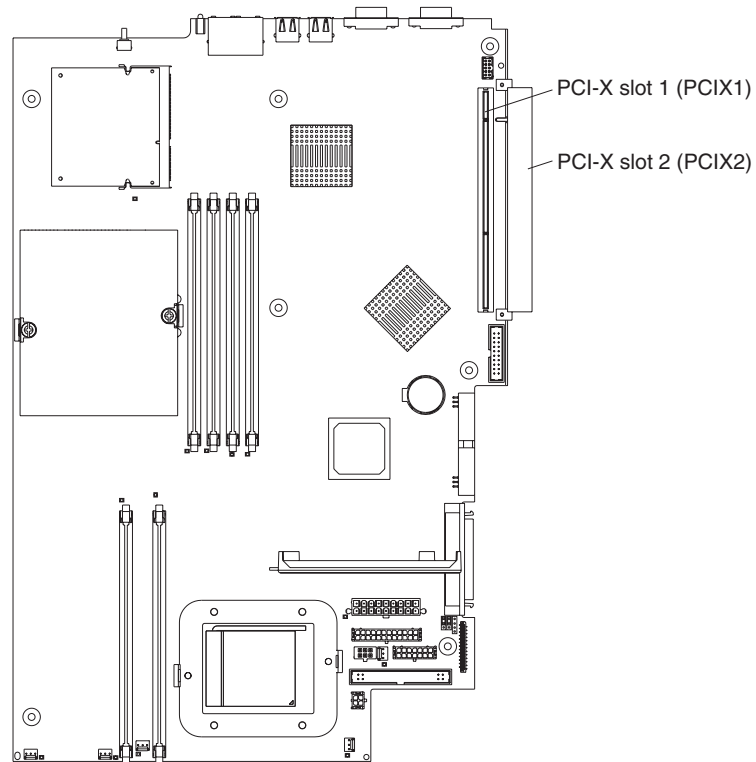


- If you plan to install an optional IBM Remote Supervisor Adapter II, install it in PCI-X slot 2. Use the ribbon cable that comes with the Remote Supervisor Adapter II to connect the 20-pin connector on the rear edge of the adapter to the Remote Supervisor Adapter II connector (JMGT1) on the system board. For details about installing a Remote Supervisor Adapter II, see the documentation that comes with the adapter. The following illustration shows the cable routing.

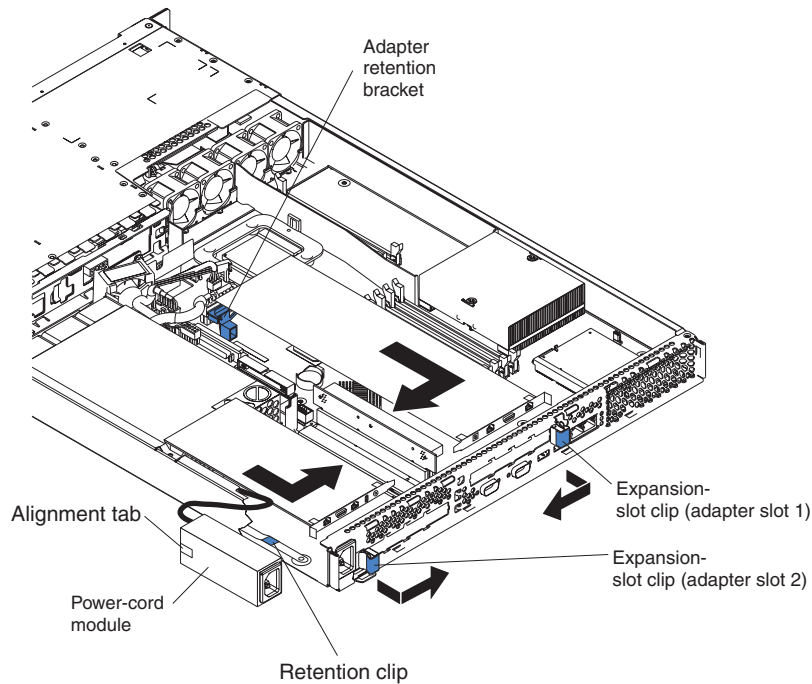


Complete the following steps to install an adapter:

1. Review the safety information beginning on page v, and “Installation guidelines” on page 9.
2. Turn off the server and all attached peripheral devices. Disconnect all power cords; then, disconnect all external signal cables from the server.
3. Remove the server from the rack; then, remove the server cover (see “Removing the cover and bezel” on page 11).
4. Determine which PCI-X slot you will use for the adapter.

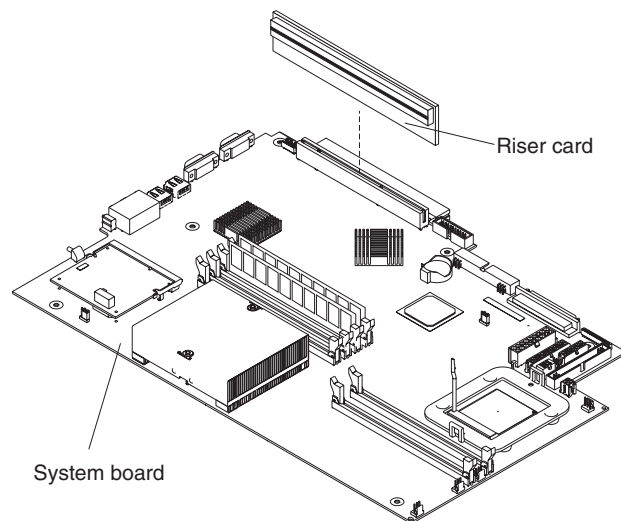


5. On the rear panel, squeeze the expansion-slot clip to unlock the clip; then, pull the clip out from the server until it stops and rotate the clip as shown in the following illustration. It remains loosely attached to the server.



Attention: Avoid touching the components and gold-edge connectors on the adapter. Ensure that the adapter is completely and correctly seated in the slot. Incomplete insertion might cause damage to the system board or to the adapter.

6. Remove the expansion slot cover from the slot.
7. To gain access to PCI-X slot 1, remove the PCI riser card from its connector.



8. To gain access to PCI-X slot 2, remove the power-cord module.
 - a. Press down on the retention clip at the front of the power-cord module and slide the module toward the front of the server until the alignment tab is free of the slot on the side of the server.
 - b. Lift and place the power-cord module out of the server as far as the power supply cable permits.

9. Install the adapter:

Attention: When you handle static-sensitive devices, take precautions to avoid damage from static electricity. For information about handling these devices, see “Handling static-sensitive devices” on page 9.

- a. Remove the adapter from the static-protective package and set any jumpers or switches on the adapter as directed by the adapter manufacturer. If you are installing a full-length adapter, you might have to remove a plastic bracket secured to the adapter with 2 screws before installing the adapter.

Attention: When you install an adapter, make sure that the adapter is correctly seated in the connector before you turn on the server. Improperly seated adapters might cause damage to the system board, the riser card, or the adapter.

- b. If you are installing an adapter in PCI-X slot 1, attach the PCI riser card to the adapter. Reinstall the PCI riser card with the adapter already attached to the PCI riser card.
 - c. Grasp the adapter by its top edge or upper corners, align it with the connector, and press it *firmly* into the connector.
10. Slide the expansion-slot clip toward the server until it snaps into place to secure the adapter in the adapter slot.
11. Connect any internal cables to the adapter. See the instructions that come with the adapter for details.

Attention: Make sure that the cables do not block the flow of air from the fans.

12. If you removed the power-cord module to install the adapter in PCI-X slot 2, install the module by reversing the procedure in step 8a on page 16. Ensure that the alignment tab is fully seated in the slot on the side of the server.
13. If you installed the adapter in PCI-X slot 1, secure the adapter by flexing the adapter-retention bracket toward the front of the server and inserting the front corners of the adapter into the recesses in the latch.
14. Perform any configuration tasks required for the adapter.

Note: If you installed a Remote Supervisor Adapter II:

- a. Refer to the documentation provided with the Remote Supervisor Adapter II for information about installing the Remote Supervisor Adapter II firmware and configuring the adapter.
 - b. After you initially configure the adapter, you should create a backup copy of it so that if you need to replace the adapter in the future, you can restore the configuration and resume normal operation more quickly.
15. If you have other options to install, install them now. Otherwise, go to “Completing the installation” on page 31.

Installing a hard disk drive

The following notes describe the types of hard disk drives that your server supports and other information that you must consider when installing a hard disk drive:

- The server supports two 25.4-mm (1-inch), slim, 3.5-inch hard disk drives. SCSI server models come with a hot-swap SCSI backplane.
- The SCSI server models support low voltage differential (LVD) hot-swap drives. Each hot-swap drive is in a tray, which has a green activity LED and an amber status LED in the upper-right corner. These LEDs are lit if the drive is active and, in some cases, if the drive fails. Each hot-swap drive has a single-connector-attached (SCA) connector, which is connected directly into the hot-swap SCSI backplane. The backplane is attached to connector J12 on the system board and controls the SCSI IDs for the hot-swap drives.

Note: The drive in bay 1 is assigned SCSI ID 0; the drive in bay 2 is assigned SCSI ID 1.

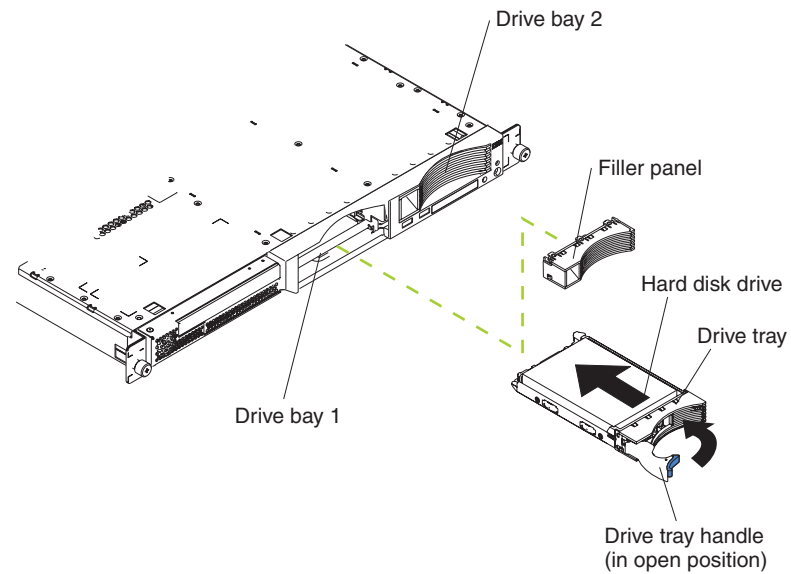
- A non-hot-swap hard disk drive does not require a backplane or tray and it does not have indicator LEDs. However, you must attach the blue rails that come with the drive before installing it in the server.
- A non-hot-swap hard disk drive has a jumper block on the rear. Install a jumper in the cable-selection position of the jumper block. For details, see the notes under step 4 on page 20, and the documentation that comes with the drive.
- If you install only one hard disk drive, for faster startup, install it in the primary startup device bay. For hot-swap SCSI drives, the drive in bay 1 is the primary startup device. For IDE drives, the drive in bay 2 is the primary startup device.
- If you are installing a hot-swap drive, continue with “Installing a hot-swap hard disk drive” on page 19. If you are installing a non-hot-swap drive, go to “Installing a non-hot-swap hard disk drive” on page 20.

Installing a hot-swap hard disk drive

Before you install a hot-swap hard disk drive, review the following information:

- Inspect the drive tray for any signs of damage.
- Ensure that the drive is installed in the tray correctly.
- If your server has an optional RAID adapter installed, see the documentation provided with the adapter for information about installing a hard disk drive.

Complete the following steps to install a hot-swap SCSI hard disk drive:



1. Read the safety information beginning on page v, and “Installation guidelines” on page 9.
2. Remove the filler panel from the applicable drive bay.

Note: To ensure adequate system cooling, do not operate the server for more than 2 minutes without either a hard disk drive or a filler panel installed in each bay.

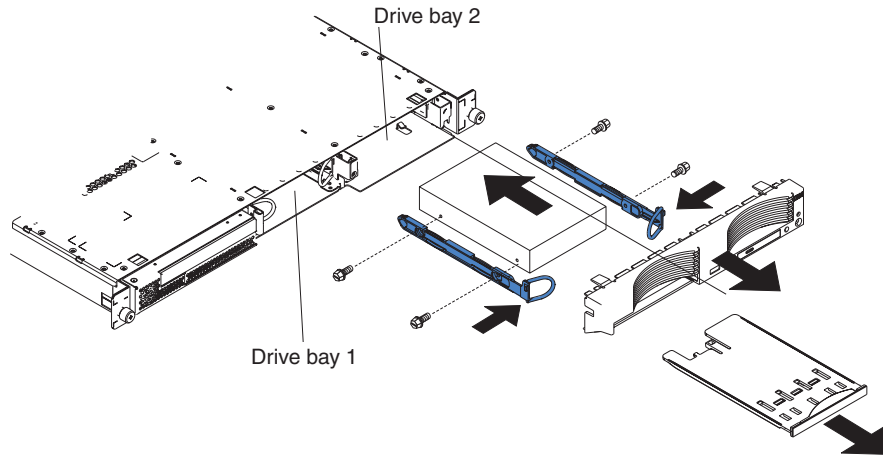
3. Install the new hard disk drive in the drive bay.
4. Check the hard disk drive status LED and activity LED to verify that the drive is operating correctly.
5. If you have other options to install, install them now. Otherwise, go to “Completing the installation” on page 31.

Installing a non-hot-swap hard disk drive

Before you install a non-hot-swap hard disk drive, read the following information:

- See the documentation that comes with the drive for any cabling instructions.
- Route the cable *before* you install the drive. Do not block the airflow from the fans.

Complete the following steps to install a non-hot-swap hard disk drive:



1. Read the safety information beginning on page v, and “Installation guidelines” on page 9.
2. Turn off the server and all attached peripheral devices. Disconnect all power cords; then, disconnect all external signal cables from the server.
3. Remove the server from the rack; then, remove the server cover (see “Removing the cover and bezel” on page 11).
4. Press in on the USB option tray to release it and slide the tray out until it stops; then, press the retention clip at the bottom rear of the tray and remove the tray from the server. Press on the bezel retention tabs and pull the bezel directly away from the server.

Notes:

- a. If you have only one non-hot-swap hard disk drive, install it in the right-hand bay (bay 2) with a jumper installed in the cable-selection-enabled position of the jumper block on the rear of the drive.
 - b. If you have two drives and you want the server to determine the master drive and subordinate drive automatically, install jumpers in the cable-selection-enabled position of the jumper block on both drives.
 - c. If you want to assign master and subordinate drives manually, install a jumper in the master position for the drive in bay 2 and install a jumper in the subordinate position for the drive in bay 1.
5. Install the hard disk drive in the drive bay:
 - a. Attach the rails to the sides of the drive using 2 screws for each rail.
 - b. Slide the drive into the bay until the rail latches snap into place.
 - c. Connect the signal and power cables to the rear of the drive. Keep the cables clear of the airflow path of the fan behind the drive bays.
 6. If you have other options to install, install them now. Otherwise, go to “Completing the installation” on page 31.

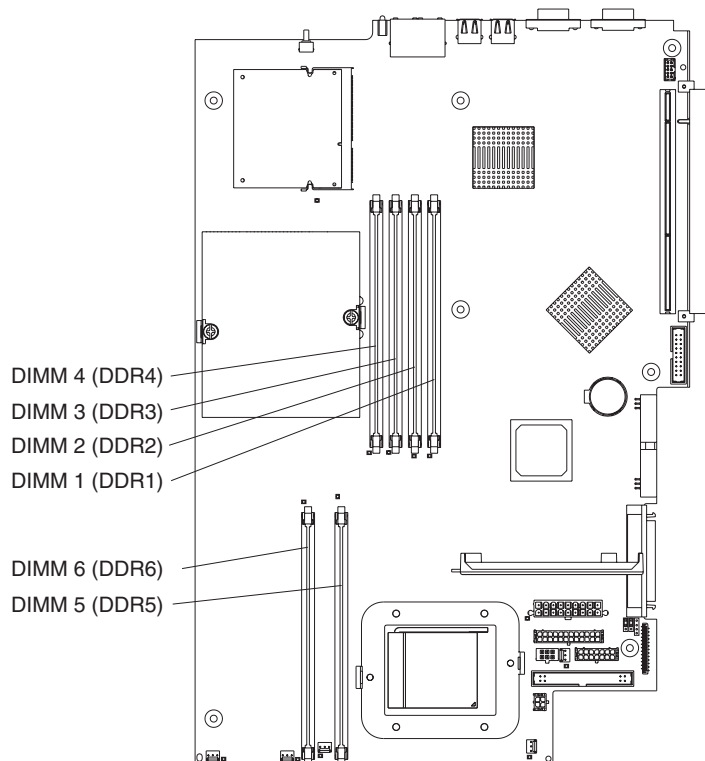
Installing a memory module

The following notes describe the types of dual inline memory modules (DIMMs) that your server supports and other information that you must consider when installing DIMMs:

- Your server uses interleaved dual inline memory modules (DIMMs), which you must add, remove, or replace in pairs. Each pair must be of the same type, capacity, and speed. The server comes with one pair of DIMMs installed in DIMM slots 1 and 2 on the system board.
- You can increase the amount of memory in the server through one of the following methods:
 - Replacing the installed DIMMs with higher-capacity DIMMs
 - Installing an additional pair of DIMMs in slots 3 and 4 for a single microprocessor configuration
 - Installing an additional pair of DIMMs in slots 5 and 6 for a dual-microprocessor configuration

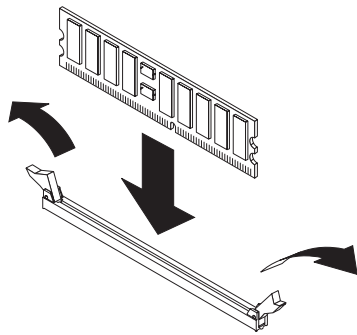
Note: For optimal dual-microprocessor performance, install DIMMs in slots 1, 2, 5, and 6.

- The server supports 512 MB and 1 GB DIMMs. See the ServerProven® list at <http://www.ibm.com/pc/us/compat/> for a list of memory modules that are supported by the server. The following illustration shows the memory slots on the system board.



Complete the following steps to install DIMMs:

1. Review the safety information beginning on page v, and “Installation guidelines” on page 9.
2. Turn off the server and peripheral devices, and disconnect the power cords and all external cables.
3. Remove the server from the rack; then, remove the server cover (see “Removing the cover and bezel” on page 11).
Attention: To avoid breaking the retaining clips or damaging the DIMM connectors, open and close the clips gently.
4. Open the retaining clip on each end of the DIMM connector.
5. Touch the static-protective package containing the DIMM to any unpainted metal surface on the server. Then, remove the DIMM from the package.
6. Turn the DIMM so that the DIMM keys align correctly with the slot.

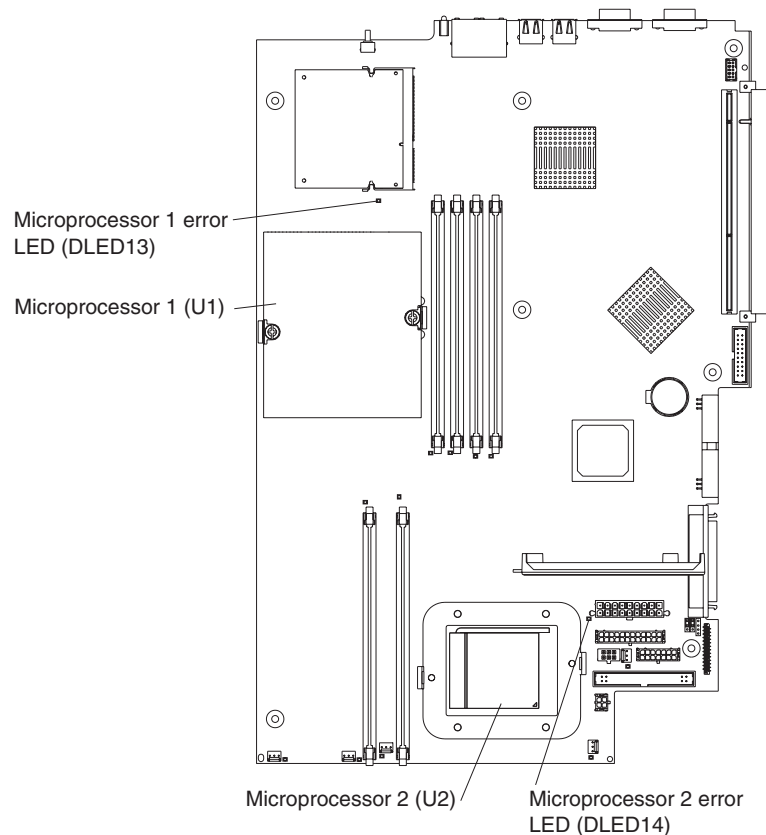


7. Insert the DIMM into the connector by aligning the edges of the DIMM with the slots at the ends of the DIMM connector. Firmly press the DIMM straight down into the connector by applying pressure on both ends of the DIMM simultaneously. The retaining clips snap into the locked position when the DIMM is firmly seated in the connector. If there is a gap between the DIMM and the retaining clips, the DIMM has not been correctly inserted; open the retaining clips, remove the DIMM, and then reinsert it.
Important: In some memory configurations, the 3-3-3 beep code might sound during POST, followed by a blank monitor screen. If this occurs and the **Boot Summary Screen**, **Boot Diagnostic Screen**, or **QuickBoot Mode** feature on the **Boot Features** menu of the Configuration/Setup Utility program is enabled (its default setting), you must restart the server three times to force the basic input/output system (BIOS) to reset the configuration to the default configuration (the memory connectors enabled).
8. If you have other options to install, install them now. Otherwise, go to “Completing the installation” on page 31.

Installing an additional microprocessor

The following notes describe the type of microprocessor that your server supports and other information that you must consider when installing a microprocessor:

- The server comes with one microprocessor installed. The following illustration shows the two microprocessor sockets on the system board. The voltage regulator modules (VRMs) for microprocessors 1 and 2 are on the system board.



- If one microprocessor is installed, it is installed in microprocessor socket 1 (U1) and supports both the startup and application processes.
- If you install a second microprocessor in the server, the server operates as a symmetric multiprocessing (SMP) server, and operating-system application programs can distribute the processing load between the microprocessors. This enhances performance for database and point-of-sale applications, integrated manufacturing solutions, and other applications. Microprocessor 2 is installed in socket 2 (U2).
- Read the documentation that comes with the microprocessor to determine whether you need to update the BIOS code. The most current level of BIOS code for the server is available at <http://www.ibm.com/pc/support/>. For additional information, see the *User's Guide* on the IBM @server Documentation CD.
- To use SMP, obtain an SMP-capable operating system. For a list of supported operating systems, go to <http://www.ibm.com/pc/us/compat/>.

Attention: To avoid damage and to ensure proper server operation, review the following information before you install a microprocessor:

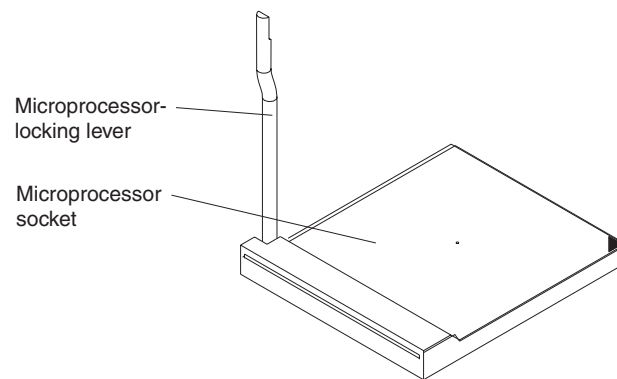
- Make sure that the microprocessors are the same type, have the same cache size, and have the same clock speed.
- See the ServerProven list at <http://www.ibm.com/pc/us/compat/> for a list of microprocessors that are supported by the server.

Complete the following steps to install a microprocessor:

1. Read the safety information beginning on page v, and “Installation guidelines” on page 9.
2. Turn off the server and all attached peripheral devices. Disconnect all power cords; then, disconnect all external signal cables from the server.
3. Remove the server from the rack; then, remove the server cover (see “Removing the cover and bezel” on page 11). Determine the socket where the microprocessor is to be installed.

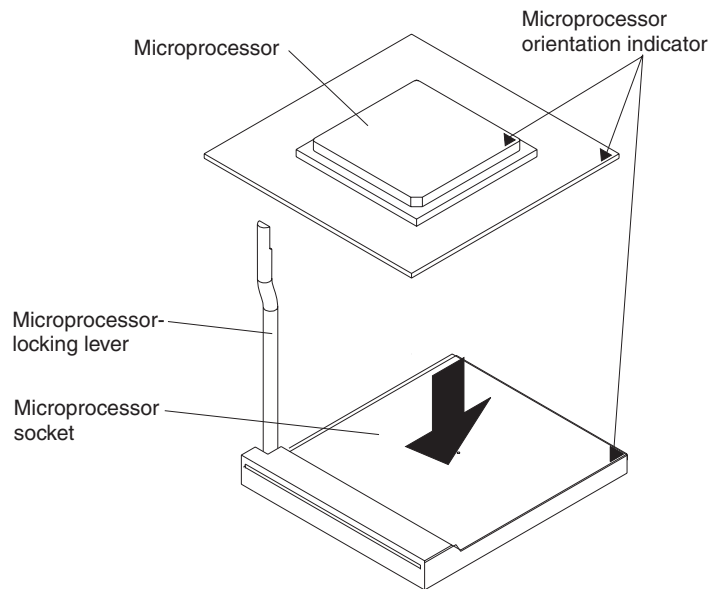
Attention:

- Avoid touching the components and gold-edge connectors on the microprocessor. Make sure that the microprocessor is completely and correctly seated in the socket. Incomplete insertion might cause damage to the system board or to the microprocessor.
 - When you handle static-sensitive devices, take precautions to avoid damage from static electricity. For information about handling these devices, see “Handling static-sensitive devices” on page 9.
4. If you are installing a microprocessor in the microprocessor 2 socket, lift the microprocessor-locking lever to the open position.



5. Install the microprocessor:
 - a. Touch the static-protective package containing the new microprocessor to any *unpainted* metal surface on the server; then, remove the microprocessor from the package.
 - b. Position the microprocessor over the microprocessor socket as shown in the following illustration. Carefully press the microprocessor into the socket.

Attention: To avoid bending the pins on the microprocessor, do not use excessive force when pressing it into the socket.



6. Close the microprocessor-locking lever to secure the microprocessor.

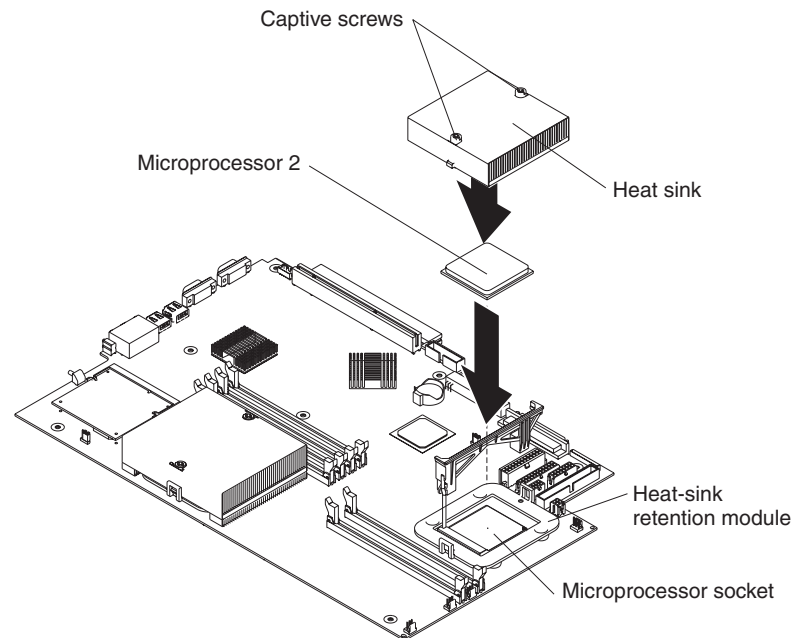
Note: A new microprocessor comes in a kit with a heat sink.

7. Install the heat sink.

Attention: Do not disturb or contaminate the thermal material on the bottom of the new heat sink. Doing so damages its heat-conducting capability and exposes the new microprocessor to overheating.

- a. Remove the heat sink from its package and remove the cover from the bottom of the heat sink.
- b. Make sure that the thermal material is still on the bottom of the heat sink, and position the heat sink on top of the microprocessor.
- c. Align the captive screws on the heat sink with the holes on the heat-sink retention module.
- d. Press firmly on the captive screws and tighten them, alternating between screws until they are tight. Do not overtighten the screws by using excessive force.

Attention: If you need to remove the heat sink after installing it, note that the thermal material might have formed a strong bond between the heat sink and the microprocessor. Do not force the heat sink and microprocessor apart; doing so can damage the microprocessor pins. Loosening one captive screw fully before loosening the other captive screw helps break the bond between the components without damaging them.



8. If you have other options to install, install them now. Otherwise, continue with "Completing the installation" on page 31.

Replacing the battery

When replacing the battery, you must replace it with a lithium battery of the same type, from the same manufacturer. To avoid possible danger, read and follow the safety statement below.

To order replacement batteries, call 1-800-772-2227 within the United States, and 1-800-465-7999 or 1-800-465-6666 within Canada. Outside the U.S. and Canada, call your IBM reseller or IBM marketing representative.

Note: After you replace the battery, you must reconfigure your server and reset the system date and time.

Statement 2:



CAUTION:

When replacing the lithium battery, use only IBM Part Number 33F8354 or an equivalent type battery recommended by the manufacturer. If your system has a module containing a lithium battery, replace it only with the same module type made by the same manufacturer. The battery contains lithium and can explode if not properly used, handled, or disposed of.

Do not:

- **Throw or immerse into water**
- **Heat to more than 100°C (212°F)**
- **Repair or disassemble**

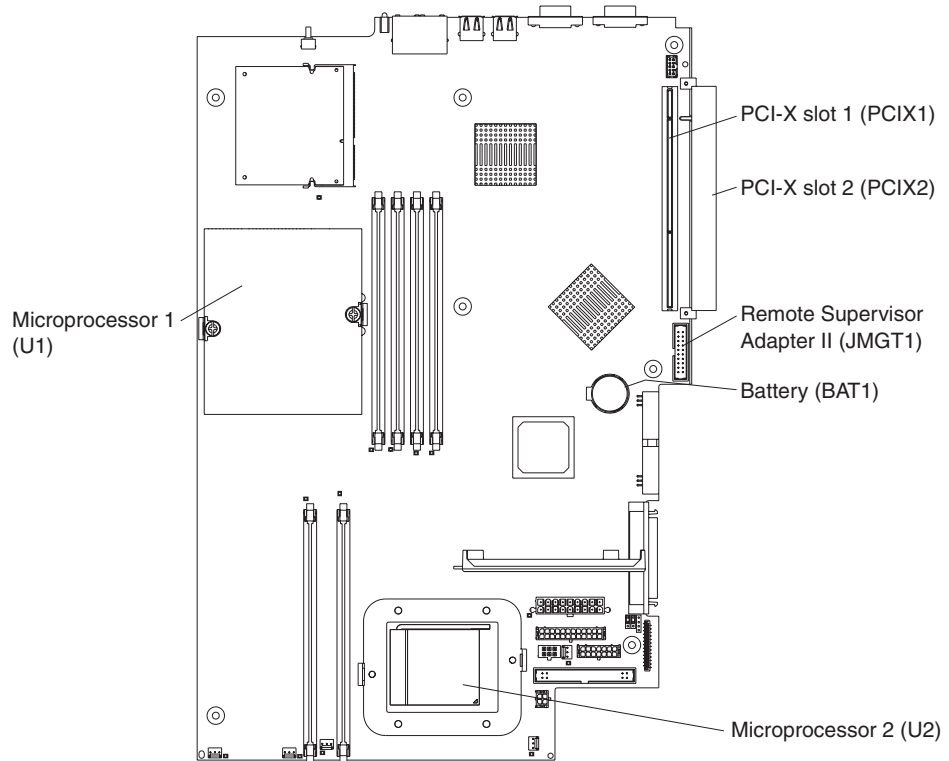
Dispose of the battery as required by local ordinances or regulations.

Note: See “Battery return program” on page 37 for more information about battery disposal.

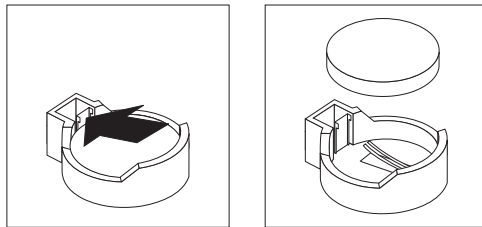
Complete the following steps to replace the battery:

1. Review the safety information beginning on page v, and follow any special handling and installation instructions that come with the replacement battery.
2. Turn off the server and all attached peripheral devices. Disconnect all power cords; then, disconnect all external signal cables from the server.
3. Remove the server from the rack; then, remove the server cover (see “Removing the cover and bezel” on page 11).

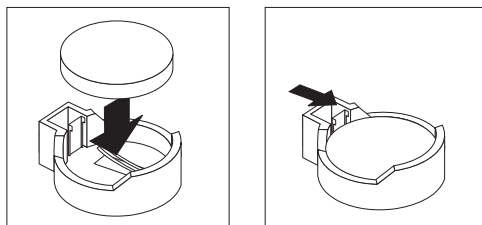
4. Locate the battery (connector BAT1) on the system board.



5. Remove the battery:
- Use one finger to press on the tab that secures the battery to its housing.
 - Use one finger to slide the battery up and out from its socket. The spring mechanism will push the battery out toward you as you slide it from the socket.



6. Insert the new battery:
- Hold the battery so that the larger side is facing up.
 - Place the battery into its socket, and press the battery down until it snaps into place.



7. Reinstall the server cover, and connect the cables.
8. Turn on the server.
9. Start the Configuration/Setup Utility program and set configuration parameters.
 - Set the system date and time.
 - Set the user (power-on) password.
 - Reconfigure the server.

For details, see the section about using the Configuration/Setup Utility program in the *User's Guide* on the IBM @server *Documentation CD*.

Replacing a fan assembly

The server comes with five replaceable fans.

Complete the following steps to replace the fan assembly. Use this procedure to replace any fan in the server.

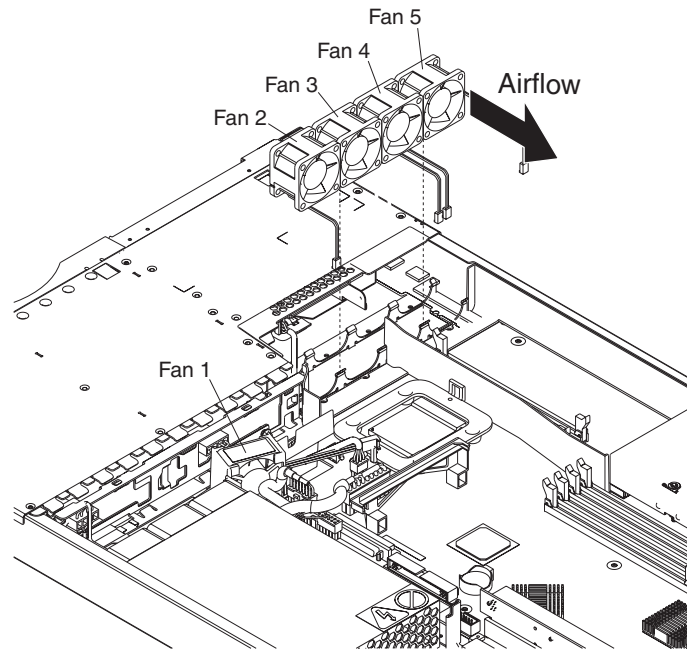
1. Review the safety information beginning on page v, and "Installation guidelines" on page 9.
2. Turn off the server and all attached peripheral devices. Disconnect all power cords; then, disconnect all external signal cables from the server.
3. Remove the server from the rack; then, remove the server cover (see "Removing the cover and bezel" on page 11).

Attention: When you handle static-sensitive devices, take precautions to avoid damage from static electricity. For information about handling these devices, see "Handling static-sensitive devices" on page 9.

4. Determine which fan to replace by checking the LED at each fan; a lit LED indicates the fan to replace.

Note: For more information about the LEDs, see the *Hardware Maintenance Manual and Troubleshooting Guide* on the IBM @server *Documentation CD*.

5. Remove the fan from the server:
 - a. Disconnect the fan cable from the system board.
 - b. Lift the fan out of the server.



6. Position the replacement fan so that the airflow arrow on the side of the fan is pointing toward the rear of the server.

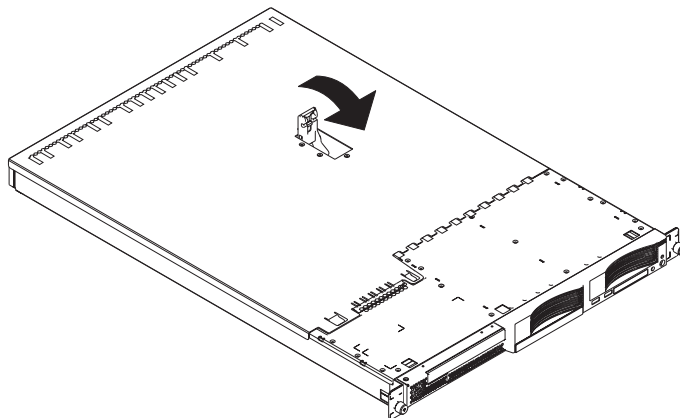
Note: Correct airflow is from the front to the rear of the server.

7. Install the replacement fan in the location from which you removed the failed fan. Press the replacement fan into the fan connector until the fan snaps into place.
8. Connect the replacement fan cable to the system board.
9. Continue with "Completing the installation" on page 31.

Completing the installation

Complete the following steps to complete the installation:

1. Position the internal cables so they do not interfere with the cover installation.
Attention: Before sliding the cover forward, make sure that all the tabs on both the front and rear of the cover engage the chassis correctly. If all the tabs do not engage the chassis correctly, it will be very difficult to remove the cover later.
2. Position the cover on top of the server and slide it forward. Press down on the cover latch. The cover slides forward into position. Ensure that the cover engages the tabs at the front and rear of the server.



3. If you removed the bezel, position the bezel directly in front of the server and press it into place so that the retention tabs snap into the holes on the top, right side, and bottom of the server.
4. If you removed the USB option tray, insert it fully into the slot below hard disk drive bay 1.
5. Install the server in the rack. For details, see the *Rack Installation Instructions* that come with the server.

Note: Depending on the options that you installed, after cabling the server, you might need to run the Configuration/Setup Utility program to update the server configuration. For more information, see “Updating the server configuration” on page 32 and the *User’s Guide* on the IBM @server Documentation CD.

6. To attach peripheral devices and connect the power cord, continue with “Connecting the cables”.

Note: If you installed a SCSI drive, check the LEDs to verify proper operation after you reconnect the power cord.

Connecting the cables

This section provides basic information about attaching peripheral devices such as a keyboard and pointing device to the server.

For detailed information about external options and how to connect them to your server, see the documentation that comes with these options. For the location of external ports and connectors on the server, see the *User’s Guide* on the IBM @server Documentation CD.

To attach non-USB devices to the server, use the cables that come with the devices and connect the cables to the appropriate ports on the server (see Chapter 3, “I/O connectors”, on page 33).

To attach a USB device to the server, use the cable that comes with the device and connect the cable to one of the four USB ports on the server (see “Universal Serial Bus connectors” on page 34).

- If you want to attach a keyboard or mouse to this server, you must use a USB keyboard or a USB mouse. After installing a USB keyboard, you might need to use the Configuration/Setup Utility program to enable keyboardless operation and prevent POST error message 301 from being displayed during startup. For information about the Configuration/Setup Utility program, see the *User's Guide* on the IBM @server Documentation CD.
- You might want to create update diskettes that contain the latest baseboard management controller firmware and BIOS code. Use an external USB diskette drive if you want to attach a diskette drive to this server. For information about updating the baseboard management controller firmware and BIOS code, see the *User's Guide* on the IBM @server Documentation CD.

Depending on the options that you installed, after cabling the server, you might need to run the Configuration/Setup Utility program to update the server configuration. For more information, see “Updating the server configuration” and the *User's Guide* on the IBM @server Documentation CD.

Updating the server configuration

When you start the server for the first time after you add or remove an internal option or an external SCSI device, you might see a message telling you that the configuration has changed. The Configuration/Setup Utility program automatically starts so that you can save the new configuration information. For more information, see the section about configuring the server in the *User's Guide* on the IBM @server Documentation CD.

Some options have device drivers that you need to install. See the documentation that comes with the option for information about installing any required device drivers.

The server comes with at least one microprocessor installed on the system board. If you have installed an additional microprocessor, the server can now operate as an SMP server. Therefore, you might need to upgrade the operating system to support SMP. For additional information, see the operating-system documentation.

If the server has an optional RAID adapter and you have installed or removed a hard disk drive, see the documentation that comes with the RAID adapter for information about configuring disk arrays.

To configure the integrated Gigabit Ethernet controllers, see the section about configuring the Gigabit Ethernet controllers in the *User's Guide* on the IBM @server Documentation CD.

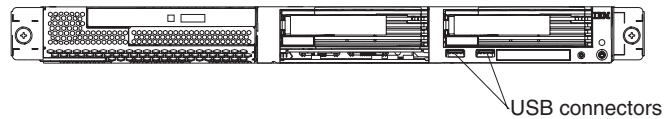
If you have just installed a Remote Supervisor Adapter II to manage the server from a remote location, see the documentation that comes with the adapter for information about setting up and configuring the adapter and using the adapter to manage the server remotely.

Chapter 3. I/O connectors

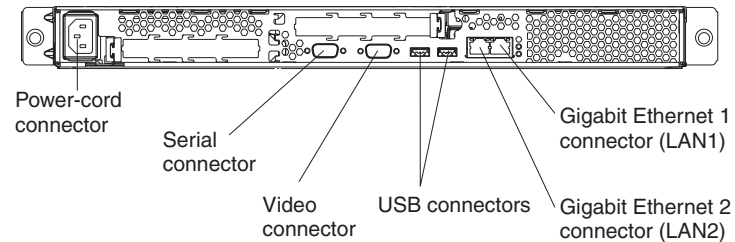
Your server has the following input/output (I/O) connectors:

- Two Ethernet (rear)
- One serial (rear)
- Four Universal Serial Bus (USB) (two front, two rear)
- One video (rear)

The following illustration shows the locations of the connectors on the front of the server.



The following illustration shows the locations of the connectors on the rear of the server.

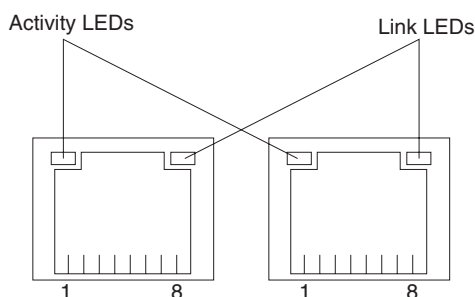


The following sections describe these connectors.

If you have an optional Remote Supervisor Adapter II (system-management adapter) installed in PCI-X slot 2, the adapter has an Ethernet connector, a serial connector, and an Advanced System Management (ASM) Interconnect connector. See the documentation that comes with the Remote Supervisor Adapter II for more information about these connectors and LEDs.

Ethernet (RJ-45) connectors

The following illustration shows two Ethernet connectors.

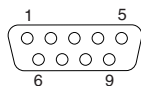


Connect Category 3, 4, or 5 unshielded twisted-pair cables to these connectors. The 100BASE-TX and 1000BASE-T Fast Ethernet standards require Category 5 or higher cabling.

For more information about the Ethernet controller, see the *User's Guide* on the IBM @server Documentation CD.

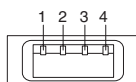
Serial connector

Use a serial connector to connect a serial device. The following illustration shows a serial connector.



Universal Serial Bus connectors

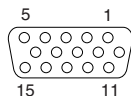
Use a Universal Serial Bus (USB) connector to connect a USB device. USB technology transfers data at up to 12 Mb per second (Mbps) with a maximum of 127 devices and a maximum signal distance of 5 meters (16 ft) per segment. Using Plug and Play technology, USB devices are configured automatically. The following illustration shows a USB connector.



Use a 4-pin cable to connect a device to a USB connector. If you need to connect more USB devices than the server has USB connectors for, use a USB hub to connect additional devices.

Video connector

Use this connector to connect a monitor to the server. The connector is dark blue to help you identify it. The following illustration shows a video connector.



Appendix. Notices

This information was developed for products and services offered in the U.S.A.

IBM may not offer the products, services, or features discussed in this document in other countries. Consult your local IBM representative for information on the products and services currently available in your area. Any reference to an IBM product, program, or service is not intended to state or imply that only that IBM product, program, or service may be used. Any functionally equivalent product, program, or service that does not infringe any IBM intellectual property right may be used instead. However, it is the user's responsibility to evaluate and verify the operation of any non-IBM product, program, or service.

IBM may have patents or pending patent applications covering subject matter described in this document. The furnishing of this document does not give you any license to these patents. You can send license inquiries, in writing, to:

*IBM Director of Licensing
IBM Corporation
North Castle Drive
Armonk, NY 10504-1785
U.S.A.*

INTERNATIONAL BUSINESS MACHINES CORPORATION PROVIDES THIS PUBLICATION "AS IS" WITHOUT WARRANTY OF ANY KIND, EITHER EXPRESS OR IMPLIED, INCLUDING, BUT NOT LIMITED TO, THE IMPLIED WARRANTIES OF NON-INFRINGEMENT, MERCHANTABILITY OR FITNESS FOR A PARTICULAR PURPOSE. Some states do not allow disclaimer of express or implied warranties in certain transactions, therefore, this statement may not apply to you.

This information could include technical inaccuracies or typographical errors. Changes are periodically made to the information herein; these changes will be incorporated in new editions of the publication. IBM may make improvements and/or changes in the product(s) and/or the program(s) described in this publication at any time without notice.

Any references in this information to non-IBM Web sites are provided for convenience only and do not in any manner serve as an endorsement of those Web sites. The materials at those Web sites are not part of the materials for this IBM product, and use of those Web sites is at your own risk.

IBM may use or distribute any of the information you supply in any way it believes appropriate without incurring any obligation to you.

Edition notice

© Copyright International Business Machines Corporation 2003. All rights reserved.

Note to U.S. Government Users Restricted Rights — Use, duplication, or disclosure restricted by GSA ADP Schedule Contract with IBM Corp.

Trademarks

The following terms are trademarks of International Business Machines Corporation in the United States, other countries, or both:

Active Memory	OS/2 WARP
Active PCI	Predictive Failure Analysis
Active PCI-X	PS/2
Alert on LAN	ServeRAID
Chipkill	ServerGuide
EtherJet	ServerProven
e-business logo	TechConnect
@server	ThinkPad
FlashCopy	Tivoli
IBM	Tivoli Enterprise
IntelliStation	Update Connector
NetBAY	Wake on LAN
Netfinity	XpandOnDemand
NetView	xSeries

Lotus, Lotus Notes, SmartSuite, and Domino are trademarks of Lotus Development Corporation and/or IBM Corporation in the United States, other countries, or both.

Intel, MMX, and Pentium are trademarks of Intel Corporation in the United States, other countries, or both.

Microsoft, Windows, and Windows NT are trademarks of Microsoft Corporation in the United States, other countries, or both.

UNIX is a registered trademark of The Open Group in the United States and other countries.

Java and all Java-based trademarks and logos are trademarks or registered trademarks of Sun Microsystems, Inc. in the United States, other countries, or both.

AMD, AMD Opteron, and combinations thereof, are trademarks of Advanced Micro Devices, Inc.

Other company, product, or service names may be trademarks or service marks of others.

Important notes

Processor speeds indicate the internal clock speed of the microprocessor; other factors also affect application performance.

CD-ROM drive speeds list the variable read rate. Actual speeds vary and are often less than the maximum possible.

When referring to processor storage, real and virtual storage, or channel volume, KB stands for approximately 1000 bytes, MB stands for approximately 1 000 000 bytes, and GB stands for approximately 1 000 000 000 bytes.

When referring to hard disk drive capacity or communications volume, MB stands for 1 000 000 bytes, and GB stands for 1 000 000 000 bytes. Total user-accessible capacity may vary depending on operating environments.

Maximum internal hard disk drive capacities assume the replacement of any standard hard disk drives and population of all hard disk drive bays with the largest currently supported drives available from IBM.

Maximum memory may require replacement of the standard memory with an optional memory module.

IBM makes no representation or warranties regarding non-IBM products and services that are ServerProven, including but not limited to the implied warranties of merchantability and fitness for a particular purpose. These products are offered and warranted solely by third parties.

IBM makes no representations or warranties with respect to non-IBM products. Support (if any) for the non-IBM products is provided by the third party, not IBM.

Some software may differ from its retail version (if available), and may not include user manuals or all program functionality.

Product recycling and disposal

This unit contains materials such as circuit boards, cables, electromagnetic compatibility gaskets, and connectors which may contain lead and copper/beryllium alloys that require special handling and disposal at end of life. Before this unit is disposed of, these materials must be removed and recycled or discarded according to applicable regulations. IBM offers product-return programs in several countries. Information on product recycling offerings can be found on IBM's Internet site at <http://www.ibm.com/ibm/environment/products/prp.shtml>.

Battery return program

This product may contain a sealed lead acid, nickel cadmium, nickel metal hydride, lithium, or lithium ion battery. Consult your user manual or service manual for specific battery information. The battery must be recycled or disposed of properly. Recycling facilities may not be available in your area. For information on disposal of batteries outside the United States, go to <http://www.ibm.com/ibm/environment/products/batteryrecycle.shtml> or contact your local waste disposal facility.

In the United States, IBM has established a collection process for reuse, recycling, or proper disposal of used IBM sealed lead acid, nickel cadmium, nickel metal hydride, and battery packs from IBM equipment. For information on proper disposal of these batteries, contact IBM at 1-800-426-4333. Have the IBM part number listed on the battery available prior to your call.

In the Netherlands, the following applies.



Electronic emission notices

Federal Communications Commission (FCC) statement

Note: This equipment has been tested and found to comply with the limits for a Class A digital device, pursuant to Part 15 of the FCC Rules. These limits are designed to provide reasonable protection against harmful interference when the equipment is operated in a commercial environment. This equipment generates, uses, and can radiate radio frequency energy and, if not installed and used in accordance with the instruction manual, may cause harmful interference to radio communications. Operation of this equipment in a residential area is likely to cause harmful interference, in which case the user will be required to correct the interference at his own expense.

Properly shielded and grounded cables and connectors must be used in order to meet FCC emission limits. IBM is not responsible for any radio or television interference caused by using other than recommended cables and connectors or by using other than recommended cables and connectors or by unauthorized changes or modifications to this equipment. Unauthorized changes or modifications could void the user's authority to operate the equipment.

This device complies with Part 15 of the FCC Rules. Operation is subject to the following two conditions: (1) this device may not cause harmful interference, and (2) this device must accept any interference received, including interference that may cause undesired operation.

Industry Canada Class A emission compliance statement

This Class A digital apparatus complies with Canadian ICES-003.

Avis de conformité à la réglementation d'Industrie Canada

Cet appareil numérique de la classe A est conforme à la norme NMB-003 du Canada.

Australia and New Zealand Class A statement

Attention: This is a Class A product. In a domestic environment this product may cause radio interference in which case the user may be required to take adequate measures.

United Kingdom telecommunications safety requirement

Notice to Customers

This apparatus is approved under approval number NS/G/1234/J/100003 for indirect connection to public telecommunication systems in the United Kingdom.

European Union EMC Directive conformance statement

This product is in conformity with the protection requirements of EU Council Directive 89/336/EEC on the approximation of the laws of the Member States relating to electromagnetic compatibility. IBM cannot accept responsibility for any failure to satisfy the protection requirements resulting from a nonrecommended modification of the product, including the fitting of non-IBM option cards.

This product has been tested and found to comply with the limits for Class A Information Technology Equipment according to CISPR 22/European Standard EN 55022. The limits for Class A equipment were derived for commercial and industrial environments to provide reasonable protection against interference with licensed communication equipment.

Attention: This is a Class A product. In a domestic environment this product may cause radio interference in which case the user may be required to take adequate measures.

Taiwanese Class A warning statement

警告使用者：
這是甲類的資訊產品，在居住的環境中使用時，可能會造成射頻干擾，在這種情況下，使用者會被要求採取某些適當的對策。

Chinese Class A warning statement

声 明
此为 A 级产品。在生活环境中，该产品可能会造成无线电干扰。在这种情况下，可能需要用户对其干扰采取切实可行的措施。

Japanese Voluntary Control Council for Interference (VCCI) statement

この装置は、情報処理装置等電波障害自主規制協議会（VCCI）の基準に基づくクラスA情報技術装置です。この装置を家庭環境で使用すると電波妨害を引き起こすことがあります。この場合には使用者が適切な対策を講ずるよう要求されることがあります。

Power cords

For your safety, IBM provides a power cord with a grounded attachment plug to use with this IBM product. To avoid electrical shock, always use the power cord and plug with a properly grounded outlet.

IBM power cords used in the United States and Canada are listed by Underwriter's Laboratories (UL) and certified by the Canadian Standards Association (CSA).

For units intended to be operated at 115 volts: Use a UL-listed and CSA-certified cord set consisting of a minimum 18 AWG, Type SVT or SJT, three-conductor cord, a maximum of 15 feet in length and a parallel blade, grounding-type attachment plug rated 15 amperes, 125 volts.

For units intended to be operated at 230 volts (U.S. use): Use a UL-listed and CSA-certified cord set consisting of a minimum 18 AWG, Type SVT or SJT, three-conductor cord, a maximum of 15 feet in length and a tandem blade, grounding-type attachment plug rated 15 amperes, 250 volts.

For units intended to be operated at 230 volts (outside the U.S.): Use a cord set with a grounding-type attachment plug. The cord set should have the appropriate safety approvals for the country in which the equipment will be installed.

IBM power cords for a specific country or region are usually available only in that country or region.

IBM power cord part number	Used in these countries and regions
02K0546	China
13F9940	Australia, Fiji, Kiribati, Nauru, New Zealand, Papua New Guinea

IBM power cord part number	Used in these countries and regions
13F9979	Afghanistan, Albania, Algeria, Andorra, Angola, Armenia, Austria, Azerbaijan, Belarus, Belgium, Benin, Bosnia and Herzegovina, Bulgaria, Burkina Faso, Burundi, Cambodia, Cameroon, Cape Verde, Central African Republic, Chad, Comoros, Congo (Democratic Republic of), Congo (Republic of), Cote D'Ivoire (Ivory Coast), Croatia (Republic of), Czech Republic, Dahomey, Djibouti, Egypt, Equatorial Guinea, Eritrea, Estonia, Ethiopia, Finland, France, French Guyana, French Polynesia, Germany, Greece, Guadeloupe, Guinea, Guinea Bissau, Hungary, Iceland, Indonesia, Iran, Kazakhstan, Kyrgyzstan, Laos (People's Democratic Republic of), Latvia, Lebanon, Lithuania, Luxembourg, Macedonia (former Yugoslav Republic of), Madagascar, Mali, Martinique, Mauritania, Mauritius, Mayotte, Moldova (Republic of), Monaco, Mongolia, Morocco, Mozambique, Netherlands, New Caledonia, Niger, Norway, Poland, Portugal, Reunion, Romania, Russian Federation, Rwanda, Sao Tome and Principe, Saudi Arabia, Senegal, Serbia, Slovakia, Slovenia (Republic of), Somalia, Spain, Suriname, Sweden, Syrian Arab Republic, Tajikistan, Tahiti, Togo, Tunisia, Turkey, Turkmenistan, Ukraine, Upper Volta, Uzbekistan, Vanuatu, Vietnam, Wallis and Futuna, Yugoslavia (Federal Republic of), Zaire
13F9997	Denmark
14F0015	Bangladesh, Lesotho, Maceo, Maldives, Namibia, Nepal, Pakistan, Samoa, South Africa, Sri Lanka, Swaziland, Uganda
14F0033	Abu Dhabi, Bahrain, Botswana, Brunei Darussalam, Channel Islands, China (Hong Kong S.A.R.), Cyprus, Dominica, Gambia, Ghana, Grenada, Iraq, Ireland, Jordan, Kenya, Kuwait, Liberia, Malawi, Malaysia, Malta, Myanmar (Burma), Nigeria, Oman, Polynesia, Qatar, Saint Kitts and Nevis, Saint Lucia, Saint Vincent and the Grenadines, Seychelles, Sierra Leone, Singapore, Sudan, Tanzania (United Republic of), Trinidad and Tobago, United Arab Emirates (Dubai), United Kingdom, Yemen, Zambia, Zimbabwe
14F0051	Liechtenstein, Switzerland
14F0069	Chile, Italy, Libyan Arab Jamahiriya
14F0087	Israel
1838574	Antigua and Barbuda, Aruba, Bahamas, Barbados, Belize, Bermuda, Bolivia, Brazil, Caicos Islands, Canada, Cayman Islands, Costa Rica, Colombia, Cuba, Dominican Republic, Ecuador, El Salvador, Guam, Guatemala, Haiti, Honduras, Jamaica, Japan, Mexico, Micronesia (Federal States of), Netherlands Antilles, Nicaragua, Panama, Peru, Philippines, Taiwan, United States of America, Venezuela
24P6858	Korea (Democratic People's Republic of), Korea (Republic of)
34G0232	Japan
36L8880	Argentina, Paraguay, Uruguay
49P2078	India
49P2110	Brazil

IBM power cord part number	Used in these countries and regions
6952300	Antigua and Barbuda, Aruba, Bahamas, Barbados, Belize, Bermuda, Bolivia, Caicos Islands, Canada, Cayman Islands, Colombia, Costa Rica, Cuba, Dominican Republic, Ecuador, El Salvador, Guam, Guatemala, Haiti, Honduras, Jamaica, Mexico, Micronesia (Federal States of), Netherlands Antilles, Nicaragua, Panama, Peru, Philippines, Saudi Arabia, Thailand, Taiwan, United States of America, Venezuela

Index

A

- adapter
 - considerations 12
 - installing 12, 15
 - PCI-X buses 12
 - redundant array of independent disks (RAID) requirements 12
- attention notices 2

B

- basic input/output system (BIOS) code
 - recovering 5
 - updating 23
- battery
 - connector 8
 - replacing 27
 - return and disposal 37

C

- cable connectors
 - Ethernet 34
 - external 6
 - front 33
 - internal 4
 - rear 33
 - serial 34
 - Universal Serial Bus (USB) 34
 - video 34
- cable-routing for adapter 13, 14
- cabling, system-board
 - external connectors 4, 6
 - internal connectors 4
- caution statements 2
- Class A electronic emission notice 38
- completing the installation 31
- components
 - adapter 15
 - hot-swap drive 19
 - major, locations 3
 - memory module 22
 - microprocessor 25
 - non-hot-swap drive 20
 - system board, location 8
- configuration, updating server 32
- connectors
 - adapter 8
 - battery 8
 - CD-ROM drive 4
 - Ethernet 34
 - external 6, 33
 - integrated drive electronics (IDE) 4
 - internal cable 4
 - memory 8
 - microprocessor 8
 - power 4

- connectors (*continued*)
 - serial 34
 - small computer system interface (SCSI) 4
 - system board 8
 - USB 34
 - video 34
- cover
 - installing 31
 - removing 11

D

- danger statements 2
- diskette drive, USB 32
- dual in-line memory module (DIMM), installing 21

E

- electronic emission Class A notice 38
- Ethernet connector
 - cable 6
 - pin-number assignments 34
- expansion slot
 - clip 16
 - location 8
- external connectors 6
- external option, connecting 33

F

- fan
 - connectors 4
 - LEDs 7
 - replacing 29
- FCC Class A notice 38
- front connectors 33

H

- hard disk drive
 - hot-swap
 - installing 19
 - preinstallation steps 19
 - SCSI IDs 18
 - non-hot-swap, installing 20
 - status LED 18
 - types supported 18

I

- important notices 2
- input/output (I/O) connectors 33
- installing
 - adapter 15
 - battery 27
 - cover 31
 - hot-swap hard disk drive 19

- installing (*continued*)
 - memory 22
 - microprocessor 23
 - non-hot-swap hard disk drive 20
 - options 9
- integrated drive electronics (IDE) connectors 4
- integrated Ethernet controller 34
- internal connectors 4

J

- jumper blocks 5

L

- LEDs
 - hard disk drive status 18
 - system board 7
- local area network (LAN) 34

M

- major components 3
- memory
 - connectors 21
 - installing 22
 - LEDs 7
 - modules 21
 - type supported 21
- microprocessor
 - installing 23
 - LEDs 7, 23
 - sockets 8, 23

N

- network, local area 34
- notes, important 2, 36
- notices
 - electronic emission 38
 - FCC, Class A 38
- notices and statements 2

O

- online publications 1
- option
 - connecting external 33
 - installing 9

P

- PCI-X buses 12
- PCI-X expansion slots 12
- pin-number assignments
 - Ethernet 34
 - serial 34
 - USB 34
 - video 34

- port
 - connectors 6
 - Ethernet 34
 - serial 34
 - Universal Serial Bus 34
 - video 34
- power connectors 4
- power cords 40

R

- RAID adapter
 - cabling 13
 - installing 12
- rear connectors 33
- recovering the BIOS code 5
- redundant array of independent disks (RAID)
 - requirements 12
- related publications 1
- Remote Supervisor Adapter II
 - cabling 14
 - setup 32
- removing the cover 11
- replacing
 - battery 27
 - fan 29
- riser card 16

S

- SCSI backplane connectors 4
- SCSI IDs 18
- serial connector 6, 34
- signal connectors 4
- slots.
 - See* expansion slot
- statements and notices 2
- status LEDs
 - hard disk drive 18
 - system board 7
- switches and jumpers 5
- system board
 - connectors
 - adapters 8
 - battery 8
 - DIMMs 21
 - external ports 6
 - internal cables 4
 - microprocessors 8
 - jumper blocks 5
 - LEDs 7

T

- trademarks 36
- turning off the server 10
- turning on the server 10

U

United States electronic emission Class A notice 38

United States FCC Class A notice 38

Universal Serial Bus (USB) 34

updating the BIOS code 23

USB

connectors 6, 33, 34

requirements 32

V

video connector 6, 34

W

Web site

IBM support 23

server compatibility information 9



Part Number: 88P9311

Printed in U.S.A.

(1P) P/N: 88P9311

