



Rack Installation Instructions

Review the documentation that comes with your rack cabinet for safety and cabling information. When installing your server in a rack cabinet, consider the following:

- Ensure the room air temperature is below 35°C (95°F).
- Install the server only in a rack cabinet that has perforated doors.
- Do not block any air vents, usually 15 cm (6 in.) of air space provides proper airflow.
- Plan the device installation starting from the bottom of the rack cabinet.
- Install the heaviest device in the bottom of the rack cabinet.
- Do not leave open space above or below an installed server in your rack cabinet. To help prevent damage to server components, always install a filler panel to cover the open space and to help ensure proper air circulation.
- Do not extend more than one device out of the rack cabinet at the same time.
- Connect all power cords to properly wired and grounded electrical outlets.
- Do not overload the power outlet when installing multiple devices in the rack.
- Remove the rack doors and side panels to provide easier access during installation.
- The slide rails in this kit come preset to the correct length for installation in an IBM rack cabinet and they are adjustable for other rack cabinets.
- The slide rails are marked (RIGHT/FRONT and LEFT/FRONT) for proper placement on the rack-cabinet flanges.



Use safe practices when lifting.



≥18 kg (39.7 lb)



≥32 kg (70.5 lb)



≥55 kg (121.2 lb)

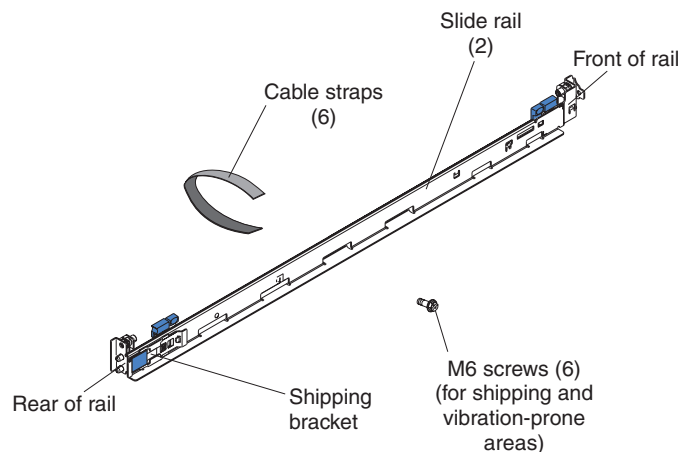


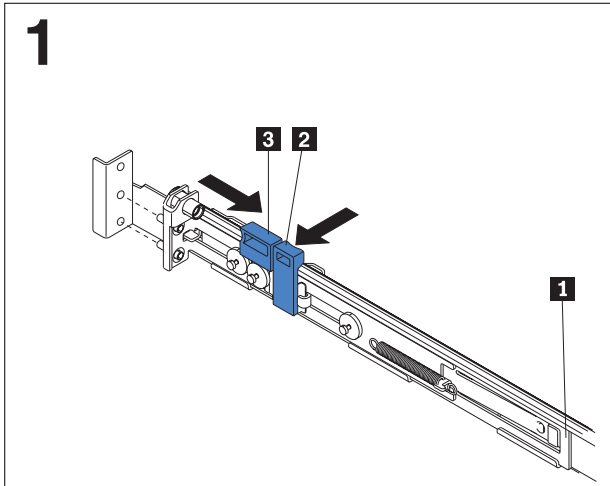
Do not place any object weighing more than 50 kg (110 lb) on top of rack-mounted devices.



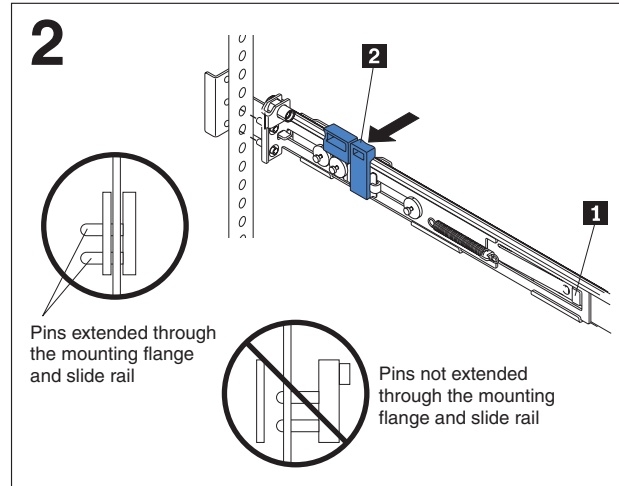
≥50 kg (110 lb)

This server does not require any tools for installation, unless you are shipping the server in a rack. When you are shipping the server in a rack, you will need a Philips screwdriver. The following illustration shows the items that you need to install the server in a rack cabinet. If any items are missing or damaged, contact your place of purchase.





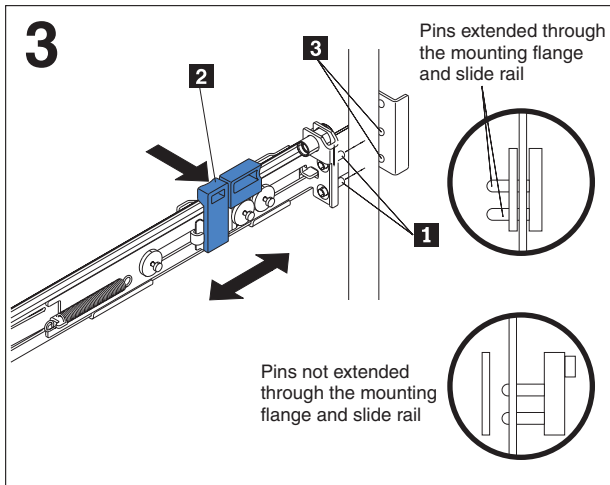
Press on the rail-adjustment bracket **1** on the rear of the slide rail to prevent the bracket from moving. Then, press on tab **2** and tab **3** and slide the rail-locking carrier toward the front of the slide rail until it snaps into place. Press on tab **2** and tab **3** on the front rail-locking carrier and slide the rail-locking carrier toward the rear of the slide until it snaps into place.



Lift the release tab **1** and fully extend the rail-adjustment bracket from the rear of the slide rail until it snaps into place, if you need to adjust the slide-rail length.

Align the pins on the rear rail-locking carrier with the holes on the rear mounting flange. Then, press the tab **2** to secure the rear of the slide rail to the rear mounting flange.

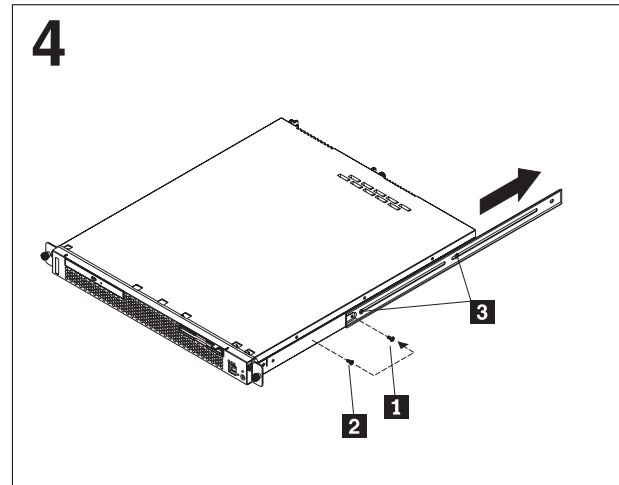
Important: Ensure that the pins are fully extended through the mounting flange and slide rail.



Align the pins **1** on the front rail-locking carrier to the front mounting flange. If you adjusted the rail length, push the rail-locking carrier back toward the rear of the slide rail to align the slide rail with the mounting flange **3**. Then, press the tab **2** to secure the front of the slide rail to the front mounting flange.

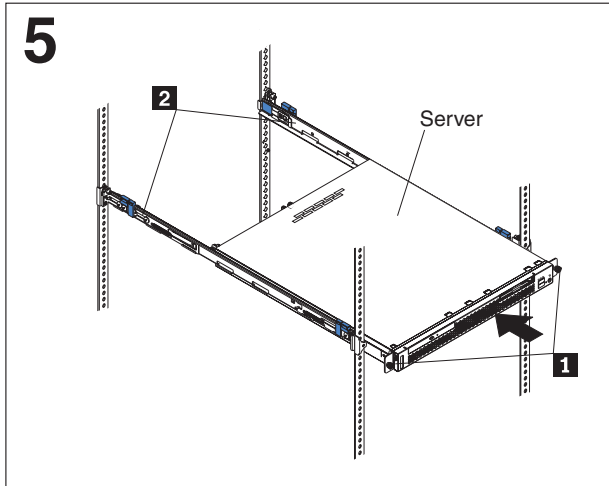
Important: Ensure that the pins **1** are fully extended through the mounting flange and the slide rail.

Repeat steps 1 and 2 for the other slide rail.



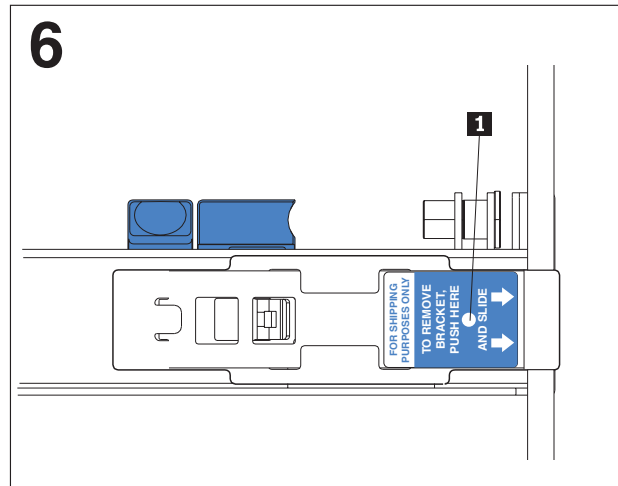
If you plan to transport the rack cabinet to another location with the server installed, remove the large screw **1** and discard it. Remove and save the front screw **2** and loosen the other two screws **3**. Then, fully extend the rail and insert the screw you saved into the position where the large screw **1** had been located. Tighten all screws to secure the rail. Repeat this step for the other rail.

If you do not plan to transport the rack cabinet to another location with the server installed, continue with step 5.



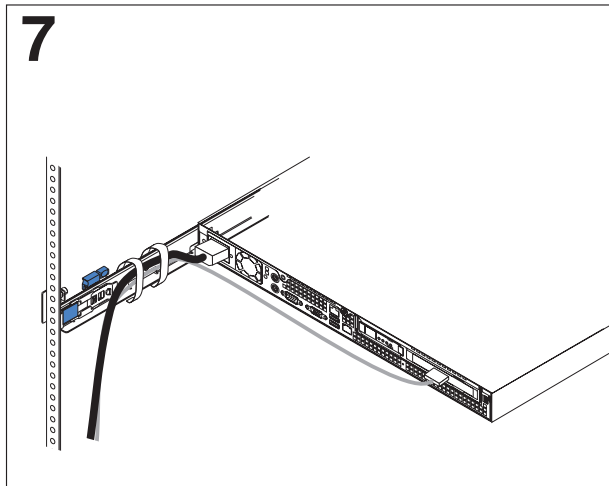
Align the server on the slide rails and push the server fully into the rack cabinet. Secure the server to the front mounting flanges with the captive thumbscrews **1**.

Note: You must leave the shipping brackets **2** attached to the slide rails unless the shipping brackets impede the server from sliding fully in the rack cabinet. If you need to remove the shipping brackets, continue with the next step.

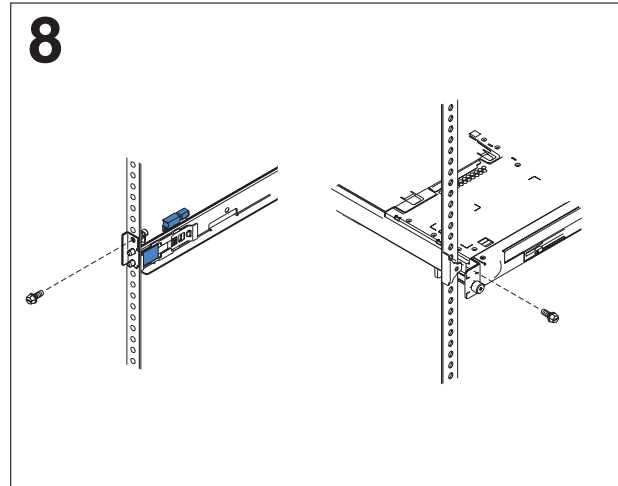


Press on the release tab **1** as indicated on the shipping bracket, and remove the shipping bracket from the slide rail. Repeat this step for the other shipping bracket. Store the shipping brackets for future use.

Note: You must reinstall the shipping brackets on the slide rails before you transport the rack cabinet with the server installed. To reinstall the shipping brackets, reverse this step.



Attach cables to the rear of the server (such as keyboard, mouse, and monitor cables, if required). Route the cables to the left corner of the server (as viewed from the rear) and use the cable straps to secure the cables to the slide rails.



Before you transport the rack cabinet to another location with the server installed, you must secure the server to the rack. If necessary, disconnect the cables from the rear of the server; then, slide the server out of the rack 150 mm (6 inches) and insert the M6 screws in each slide rail. Then, secure the server to the rack cabinet with the M6 screws.

Ensure the rails are fully extended to the rear of the rack cabinet and that the shipping brackets are installed. Go to steps 4, 5, and 6 for instructions.

To remove the server from the rack, reverse these instructions. Store this information with your server documentation for future use.

First Edition (September 2005)

Printed in the U.S.A.

IBM is a trademark of the IBM Corporation in the United States, other countries, or both.

© Copyright International Business Machines Corporation 2005. All rights reserved.

US Government Users Restricted Rights – Use, duplication or disclosure restricted by GSA ADP Schedule Contract with IBM Corp.

(1P) P/N: 25R4644

