

IBM TotalStorage FAStT FC2-133
Dual Port Host Bus Adapter



Installation and User's Guide

IBM TotalStorage FAStT FC2-133
Dual Port Host Bus Adapter



Installation and User's Guide

Note: Before using this information and the product it supports, be sure to read the general information under “Notices” on page 25.

Second Edition (April 2003)

This edition replaces GC26-7532-00.

© Copyright International Business Machines Corporation 2003. All rights reserved.

US Government Users Restricted Rights – Use, duplication or disclosure restricted by GSA ADP Schedule Contract with IBM Corp.

Contents

Figures	v
Tables	vii
Safety	ix
Safety information	x
General safety	x
Grounding requirements	x
Electrical safety	xi
Handling ESD-sensitive devices	xii
Safety inspection procedure	xiii
About this document	xv
Who should read this document	xv
How this document is organized	xv
FASTT installation process overview	xv
FASTT documentation	xvi
FASTT Storage Manager Version 8.3 library	xvi
FASTT900 Fibre Channel Storage Server library	xvii
FASTT700 Fibre Channel Storage Server library	xviii
FASTT600 Fibre Channel Storage Server library	xix
FASTT500 Fibre Channel Storage Server library	xx
FASTT200 Fibre Channel Storage Server library	xxi
FASTT related documents	xxii
Notices used in this document	xxii
Getting information, help, and service	xxiii
Before you call	xxiii
Using the documentation	xxiii
Web sites	xxiii
Software service and support	xxiv
Hardware service and support	xxiv
How to send your comments	xxv
Chapter 1. Preparing and installing the FASTT FC2-133	1
Overview	1
Overview of fibre channel	1
FASTT FC2-133 features	1
FASTT FC2-133 components	2
Preinstallation procedures	3
Handling static-sensitive devices	4
What you need for the installation	5
Installing the FASTT FC2-133	5
Chapter 2. Updating the FASTT FC2-133 BIOS code and installing device drivers	9
Updating the BIOS code and NVRAM from the support CD	9
Using the flasutil command prompt	9
Additional command-line options	10
Using the flasutil BIOS Update Utility menu	11
Updating the BIOS code and NVRAM from the BIOS Update Utility diskette	11
Creating the BIOS Update Utility diskette	11
For Microsoft Windows NT or Windows 2000	11
For Linux	12

Updating the BIOS code and NVRAM from the diskette	12
Using the flasutil command prompt	12
Using the flasutil BIOS Update Utility menu	13
Installing the FAStT FC2-133 device drivers	14
Chapter 3. Configuring the FAStT FC2-133 with Fast!UTIL.	15
Starting Fast!UTIL.	15
Configuration Settings menu options	15
Host bus adapter settings	15
Selectable boot settings	17
Restore default settings.	17
Raw NOVRAM data	17
Advanced adapter settings	17
Extended firmware settings	19
Scan fibre-channel devices	20
Fibre-channel disk utility	20
Loopback data test	20
Select host adapter	20
ExitFast!UTIL	20
Chapter 4. Adapter operating environment and specifications	21
Chapter 5. Troubleshooting.	23
Hardware problems	23
Software problems	23
System configuration problems	23
Fibre channel problems.	24
Notices	25
Trademarks	25
Important notes.	26
Electronic emission notices	26
Class B statements	26
Federal Communications Commission (FCC) statement	26
Industry Canada Class B emission compliance statement	27
Avis de conformité à la réglementation d'Industrie Canada	27
Japanese electromagnetic interference (EMI) statement	27
Class A statements	27
Federal Communications Commission (FCC) statement	28
Industry Canada Class A emission compliance statement	28
Avis de conformité à la réglementation d'Industrie Canada	28
Australia and New Zealand Class A statement	28
United Kingdom telecommunications safety requirement.	28
European Union EMC Directive conformance statement.	28
Taiwan electrical emission statement	29
Japanese Voluntary Control Council for Interference (VCCI) statement	29
Glossary	31
Index	39

Figures

I	1.	Installation process flow by current publications	xvi
	2.	FAStT FC2-133 components	2
	3.	FAStT FC2-133 serial number label	4

Tables

	1.	TotalStorage FAStT Storage Manager Version 8.3 titles by user tasks	xvi
	2.	TotalStorage FAStT900 Fibre Channel Storage Server document titles by user tasks	xvii
	3.	TotalStorage FAStT700 Fibre Channel Storage Server document titles by user tasks	xix
	4.	TotalStorage FAStT600 Fibre Channel Storage Server document titles by user tasks	xx
	5.	TotalStorage FAStT500 and FAStT High Availability Storage Server document titles by user tasks	xx
	6.	TotalStorage FAStT200 and FAStT High Availability Storage Server document titles by user tasks	xxi
	7.	TotalStorage FAStT related document titles by user tasks	xxii
	8.	FAStT FC2-133 LED activity	3
	9.	Examples of flasutil command-line options	10
	10.	Modifiable host bus adapter default settings	15
	11.	Nonmodifiable host bus adapter settings and examples	16
	12.	Advanced adapter settings	17
	13.	Extended firmware settings	19
	14.	RIO options and operation modes	19
	15.	Connection options	19
	16.	Data rate options	20
	17.	FAStT FC2-133 operating environment	21
	18.	FAStT FC2-133 specifications	21

Safety

Before installing this product, read the Safety information.

مج، يجب قراءة دات السلامة

Antes de instalar este produto, leia as Informações de Segurança.

在安裝本產品之前，請仔細閱讀 **Safety Information** (安全信息)。

安裝本產品之前，請先閱讀「安全資訊」。

Prije instalacije ovog produkta obavezno pročitajte Sigurnosne Upute.

Před instalací tohoto produktu si přečtěte příručku bezpečnostních instrukcí.

Læs sikkerhedsforskrifterne, før du installerer dette produkt.

Lees voordat u dit product installeert eerst de veiligheidsvoorschriften.

Ennen kuin asennat tämän tuotteen, lue turvaohjeet kohdasta Safety Information.

Avant d'installer ce produit, lisez les consignes de sécurité.

Vor der Installation dieses Produkts die Sicherheitshinweise lesen.

Πριν εγκαταστήσετε το προϊόν αυτό, διαβάστε τις πληροφορίες ασφάλειας (safety information).

לפני שתתקינו מוצר זה, קראו את הוראות הבטיחות.

A termék telepítése előtt olvassa el a Biztonsági előírásokat!

Prima di installare questo prodotto, leggere le Informazioni sulla Sicurezza.

製品の設置の前に、安全情報をお読みください。

본 제품을 설치하기 전에 안전 정보를 읽으십시오.

Пред да се инсталира овој продукт, прочитајте информацијата за безбедност.

Les sikkerhetsinformasjonen (Safety Information) før du installerer dette produktet.

Przed zainstalowaniem tego produktu, należy zapoznać się z książką "Informacje dotyczące bezpieczeństwa" (Safety Information).

Antes de instalar este produto, leia as Informações sobre Segurança.

Перед установкой продукта прочтите инструкции по технике безопасности.

Pred inštaláciou tohto zariadenia si pečítajte Bezpečnostné predpisy.

Pred namestitvijo tega proizvoda preberite Varnostne informacije.

Antes de instalar este producto, lea la información de seguridad.

Läs säkerhetsinformationen innan du installerar den här produkten.

Safety information

Before you service an IBM computer, you must be familiar with the following safety information.

General safety

Follow these rules to ensure general safety:

- Observe good housekeeping in the area of the machines during and after maintenance.
- When lifting any heavy object:
 1. Ensure that you can stand safely without slipping.
 2. Distribute the weight of the object equally between your feet.
 3. Use a slow lifting force. Never move suddenly or twist when you attempt to lift.
 4. Lift by standing or by pushing up with your leg muscles; this action removes the strain from the muscles in your back. *Do not attempt to lift any objects that weigh more than 16 kg (35 lb) or objects that you think are too heavy for you.*
- Do not perform any action that causes hazards to the customer, or that makes the equipment unsafe.
- Before you start the machine, ensure that other service representatives and the customer's personnel are not in a hazardous position.
- Place removed covers and other parts in a safe place, away from all personnel, while you are servicing the machine.
- Keep your tool case away from walk areas so that other people will not trip over it.
- Do not wear loose clothing that can be trapped in the moving parts of a machine. Ensure that your sleeves are fastened or rolled up above your elbows. If your hair is long, fasten it.
- Insert the ends of your necktie or scarf inside clothing or fasten it with a nonconductive clip, approximately 8 centimeters (3 in.) from the end.
- Do not wear jewelry, chains, metal-frame eyeglasses, or metal fasteners for your clothing. **Remember:** Metal objects are good electrical conductors.
- Wear safety glasses when you are doing any of the following: hammering, drilling, soldering, cutting wire, attaching springs, using solvents, or working in any other conditions that might be hazardous to your eyes.
- After service, reinstall all safety shields, guards, labels, and ground wires. Replace any safety device that is worn or defective.
- Reinstall all covers correctly before returning the machine to the customer.

Grounding requirements

Electrical grounding of the computer is required for operator safety and correct system function. Proper grounding of the electrical outlet can be verified by a certified electrician.

Electrical safety

Important

Use only approved tools and test equipment. Some hand tools have handles that are covered with a soft material that does not insulate you when working with live electrical currents.

Many customers have, near their equipment, rubber floor mats that contain small conductive fibers to decrease electrostatic discharges. Do not use this type of mat to protect yourself from electrical shock.

Observe the following rules when working on electrical equipment.

- Find the room emergency power-off (EPO) switch, disconnecting switch, or electrical outlet. If an electrical accident occurs, you can then operate the switch or unplug the power cord quickly.
- Do not work alone under hazardous conditions or near equipment that has hazardous voltages.
- Disconnect all power before doing any of the following tasks:
 - Performing a mechanical inspection
 - Working near power supplies
 - Removing or installing main units
- Before you start to work on the machine, unplug the power cord. If you cannot unplug it, ask the customer to power-off the wall box that supplies power to the machine and to lock the wall box in the off position.
- If you need to work on a machine that has *exposed* electrical circuits, observe the following precautions:
 - Ensure that another person, familiar with the power-off controls, is near you.
Remember: Another person must be there to switch off the power, if necessary.
 - Use only one hand when working with powered-on electrical equipment; keep the other hand in your pocket or behind your back.
Remember: There must be a complete circuit to cause electrical shock. By observing the previous rule, you might prevent a current from passing through your body.
 - When using testers, set the controls correctly and use the approved probe leads and accessories for that tester.
 - Stand on suitable rubber mats (obtained locally, if necessary) to insulate you from grounds such as metal floor strips and machine frames.

Observe the special safety precautions when you work with very high voltages; these instructions are in the safety sections of maintenance information. Use extreme care when measuring high voltages.

- Regularly inspect and maintain your electrical hand tools for safe operational condition.
- Do not use worn or broken tools and testers.
- *Never assume* that power has been disconnected from a circuit. First, *check* that it has been powered-off.
- Always look carefully for possible hazards in your work area. Examples of these hazards are moist floors, nongrounded power extension cables, power surges, and missing safety grounds.

- Do not touch live electrical circuits with the reflective surface of a plastic dental mirror. The surface is conductive and can cause personal injury and machine damage.
- Do not service the following parts (or similar units) *with the power on* when they are removed from their normal operating places in a machine. This practice ensures correct grounding of the units.
 - Power supply units
 - Pumps
 - Blowers and fans
 - Motor generators
- If an electrical accident occurs:
 - **Use caution; do not become a victim yourself.**
 - **Switch off power.**
 - **Send another person to get medical aid.**

Handling ESD-sensitive devices

Any computer part that contains transistors or integrated circuits (ICs) should be considered sensitive to electrostatic discharge (ESD). ESD damage can occur when there is a difference in charge between objects. Protect against ESD damage by equalizing the charge so that the machine, the part, the work mat, and the person that is handling the part are all at the same charge.

Notes:

1. Use product-specific ESD procedures when they exceed the requirements noted here.
2. Make sure that the ESD protective devices that you use have been certified (ISO 9000) as fully effective.

Use the following precautions when handling ESD-sensitive parts:

- Keep the parts in protective packages until they are inserted into the product.
- Avoid contact with other people.
- Wear a grounded wrist strap against your skin to eliminate static on your body.
- Prevent the part from touching your clothing. Most clothing is insulative and retains a charge even when you are wearing a wrist strap.
- Select a grounding system, such as those listed below, to provide protection that meets the specific service requirement.

Note: The use of a grounding system is desirable but not required to protect against ESD damage.

- Attach the ESD ground clip to any frame ground, ground braid, or green-wire ground.
- Use an ESD common ground or reference point when working on a double-insulated or battery-operated system. You can use coax or connector-outside shells on these systems.
- Use the round ground-prong of the ac plug on ac-operated computers.
- Use the black side of a grounded work mat to provide a static-free work surface. The mat is especially useful when handling ESD-sensitive devices.

Safety inspection procedure

Use this safety inspection procedure to identify potentially unsafe conditions on a product. Each machine, as it was designed and built, had required safety items installed to protect users and service personnel from injury. This procedure addresses only those items. However, good judgment should be used to identify any potential safety hazards due to attachment of non-IBM features or options not covered by this inspection procedure.

If any unsafe conditions are present, you must determine how serious the apparent hazard could be and whether you can continue without first correcting the problem.

Consider these conditions and the safety hazards they present:

- Electrical hazards, especially primary power (primary voltage on the frame can cause serious or fatal electrical shock).
- Explosive hazards, such as a damaged cathode ray tube (CRT) face or bulging capacitor
- Mechanical hazards, such as loose or missing hardware

Complete the following checks with the power off, and with the power cord disconnected.

1. Check the exterior covers for damage (loose, broken, or sharp edges).
2. Check the power cord for the following conditions:
 - a. A third-wire ground connector in good condition. Use a meter to measure third-wire ground continuity for 0.1 ohm or less between the external ground pin and frame ground.
 - b. The power cord should be the appropriate type as specified in the parts listings.
 - c. Insulation must not be frayed or worn.
3. Remove the cover.
4. Check for any obvious non-IBM alterations. Use good judgment as to the safety of any non-IBM alterations.
5. Check the inside the unit for any obvious unsafe conditions, such as metal filings, contamination, water or other liquids, or signs of fire or smoke damage.
6. Check for worn, frayed, or pinched cables.
7. Check that the power supply cover fasteners (screws or rivets) have not been removed or tampered with.

About this document

This document provides instructions on how to install your IBM TotalStorage™ FASTT FC2-133 Dual Port Host Bus Adapter and how to customize the configuration. It also provides information on how to troubleshoot installation problems.

The IBM TotalStorage FASTT FC2-133 Dual Port Host Bus Adapter (part number 24P8053) is hereafter referred to as the FASTT FC2-133, or the adapter.

Who should read this document

This document is intended for system operators and service technicians who have extensive knowledge of fibre channel and network technology.

How this document is organized

Chapter 1, “Preparing and installing the FASTT FC2-133”, on page 1 includes an overview of the FASTT FC2-133 features and contains the information and instructions needed to prepare and install the FASTT FC2-133.

Chapter 2, “Updating the FASTT FC2-133 BIOS code and installing device drivers”, on page 9 provides information for how to update the FASTT FC2-133 BIOS code.

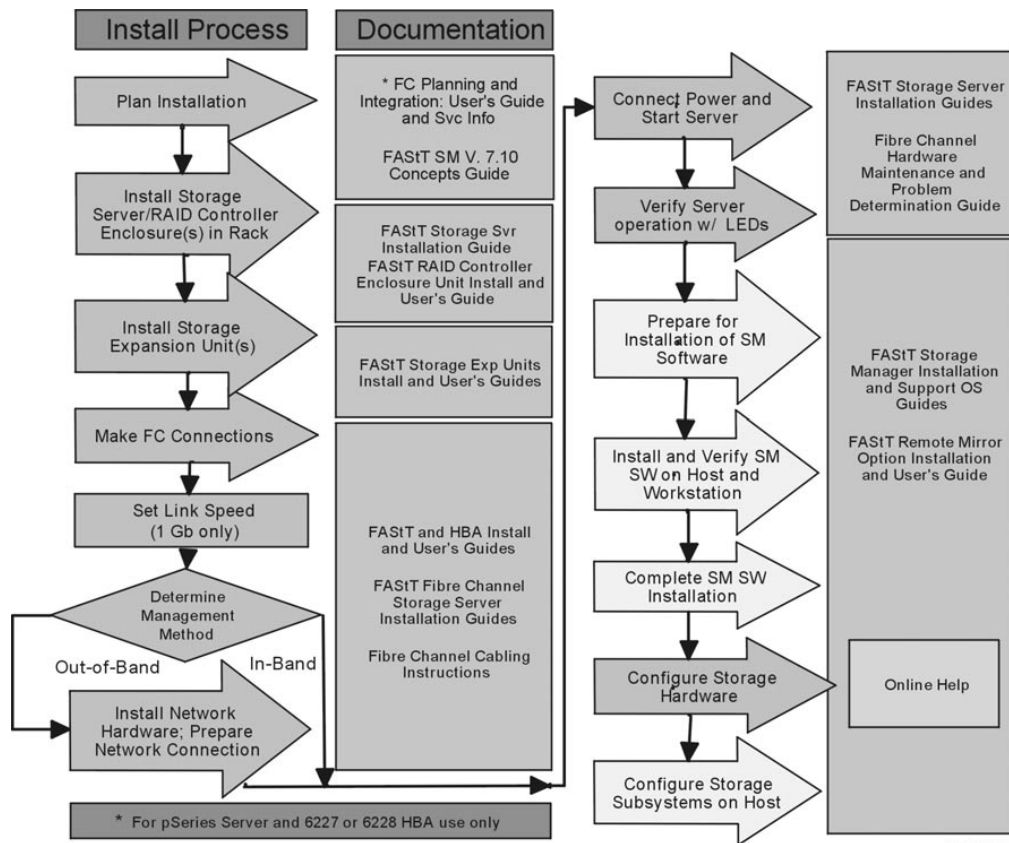
Chapter 3, “Configuring the FASTT FC2-133 with Fast!UTIL”, on page 15 provides detailed configuration information about how to customize the configuration of the FASTT FC2-133 and any fibre-channel devices that connect to the FASTT FC2-133.

Chapter 4, “Adapter operating environment and specifications”, on page 21 contains the FASTT FC2-133 operating environment and specification information.

Chapter 5, “Troubleshooting”, on page 23 provides information about the types of installation problems that can cause the FASTT FC2-133 to function incorrectly.

FASTT installation process overview

The following flow chart gives an overview of the installation process for the FASTT hardware and the FASTT Storage Manager software. Lined arrows in the flow chart indicate consecutive steps in the hardware and software installation process. Labeled arrows indicate which current documents provide detailed information about those steps.



SJ001046

Figure 1. Installation process flow by current publications

FASTt documentation

The following tables present an overview of the FASTt Storage Manager and the FASTt900, FASTt700, FASTt600, FASTt500, and the FASTt200 Fibre Channel Storage Server document libraries, as well as related documents. Each table lists documents that are included in the libraries and where to locate the information that you need to accomplish common tasks.

FASTt Storage Manager Version 8.3 library

Table 1 associates each document in the FASTt Storage Manager library with its related common user tasks.

Table 1. TotalStorage FASTt Storage Manager Version 8.3 titles by user tasks

Title	User Tasks					
	Planning	Hardware Installation	Software Installation	Configuration	Operation and Administration	Diagnosis and Maintenance
IBM TotalStorage FASTt Storage Manager 8.3 Installation and Support Guide for Windows® NT and Windows 2000, GC26-7522	X		X	X		

Table 1. TotalStorage FAST Storage Manager Version 8.3 titles by user tasks (continued)

Title	User Tasks					
	Planning	Hardware Installation	Software Installation	Configuration	Operation and Administration	Diagnosis and Maintenance
IBM TotalStorage FAST Storage Manager 8.3 Installation and Support Guide for Linux, GC26-7519	X		X	X		
IBM TotalStorage FAST Storage Manager 8.3 Installation and Support Guide for Novell NetWare, GC26-7520	X		X	X		
IBM TotalStorage FAST Storage Manager 8.3 Installation and Support Guide for UNIX and AIX Environments, GC26-7521	X		X	X		
IBM FAST Remote Mirror Option Installation and User's Guide, 48P9821	X		X	X	X	
IBM FAST Storage Manager Script Commands (see product CD)				X		
IBM FAST Storage Manager Version 7.10 Concepts Guide, 25P1661	X	X	X	X	X	X

FAST900 Fibre Channel Storage Server library

Table 2 associates each document in the FAST900 Fibre Channel Storage Server library with its related common user tasks.

Table 2. TotalStorage FAST900 Fibre Channel Storage Server document titles by user tasks

Title	User Tasks					
	Planning	Hardware Installation	Software Installation	Configuration	Operation and Administration	Diagnosis and Maintenance
IBM TotalStorage FAST900 Installation and Support Guide, GC26-7530	X	X		X		

Table 2. TotalStorage FAST900 Fibre Channel Storage Server document titles by user tasks (continued)

Title	User Tasks					
	Planning	Hardware Installation	Software Installation	Configuration	Operation and Administration	Diagnosis and Maintenance
IBM TotalStorage FAST900 Fibre Channel Cabling Instructions, 24P8135	X	X				
IBM TotalStorage FAST900 User's Guide, GC26-7534				X	X	X
IBM FAST FC2-133 Dual Port Host Bus Adapter Installation and User's Guide, GC26-7532		X			X	
IBM FAST FC2-133 Host Bus Adapter Installation and User's Guide, 48P9823		X			X	
IBM TotalStorage FAST900 Rack Mounting Instructions, 19K0900	X	X				
IBM Fibre Channel Planning and Integration: User's Guide and Service Information, SC23-4329	X	X			X	X
IBM FAST Management Suite Java User's Guide, 32P0081					X	X
IBM TotalStorage Fibre Channel Hardware Maintenance Manual and Problem Determination Guide, GC26-7528						X

FAST700 Fibre Channel Storage Server library

Table 3 on page xix associates each document in the FAST700 Fibre Channel Storage Server library with its related common user tasks.

Table 3. TotalStorage FASi700 Fibre Channel Storage Server document titles by user tasks

Title	User Tasks					
	Planning	Hardware Installation	Software Installation	Configuration	Operation and Administration	Diagnosis and Maintenance
IBM FASi700 Installation and Support Guide, 32P0171	X	X		X		
IBM FASi700 Fibre Channel Cabling Instructions, 32P0343	X	X				
IBM FASi700 Fibre Channel Storage Server User's Guide, 32P0341				X	X	X
IBM EXP700 Storage Expansion Unit Installation and User's Guide, 32P0178	X	X		X	X	X
IBM FASiT FC2-133 Dual Port Host Bus Adapter Installation and User's Guide, GC26-7532		X			X	
IBM TotalStorage FASiT FC2-133 Host Bus Adapter Installation and User's Guide, 48P9823		X			X	
IBM FASiT Management Suite Java User's Guide, 32P0081					X	X
IBM TotalStorage Fibre Channel Hardware Maintenance Manual and Problem Determination Guide, GC26-7528						X

FASi600 Fibre Channel Storage Server library

Table 4 on page xx associates each document in the FASi600 Fibre Channel Storage Server library with its related common user tasks.

Table 4. TotalStorage FAST600 Fibre Channel Storage Server document titles by user tasks

Title	User Tasks					
	Planning	Hardware Installation	Software Installation	Configuration	Operation and Administration	Diagnosis and Maintenance
IBM TotalStorage FAST600 Fibre Channel Storage Server Installation and User's Guide, GC26-7531	X	X		X		
IBM TotalStorage Fibre Channel Hardware Maintenance Manual and Problem Determination Guide, GC26-7528						X
IBM TotalStorage FAST FC2-133 Dual Port Host Bus Adapter Installation and User's Guide, GC26-7532		X			X	
IBM TotalStorage FAST600 Rack Mounting Instructions, 24P8125	X	X				
IBM TotalStorage FAST600 Cabling Instructions, 24P8126	X	X				

FAST500 Fibre Channel Storage Server library

Table 5 associates each document in the FAST500 Fibre Channel Storage Server library with its related common user tasks.

Table 5. TotalStorage FAST500 and FAST High Availability Storage Server document titles by user tasks

Title	User Tasks					
	Planning	Hardware Installation	Software Installation	Configuration	Operation and Administration	Diagnosis and Maintenance
IBM FAST500 RAID Controller Enclosure Unit User's Guide, 48P9847				X	X	X
IBM FAST EXP500 Storage Expansion Unit Installation and User's Guide, 59P5637	X	X		X	X	X

Table 5. TotalStorage FAST500 and FAST High Availability Storage Server document titles by user tasks (continued)

Title	User Tasks					
	Planning	Hardware Installation	Software Installation	Configuration	Operation and Administration	Diagnosis and Maintenance
IBM FAST FC2-133 Dual Port Host Bus Adapter Installation and User's Guide, GC26-7532		X			X	
IBM TotalStorage FAST FC2-133 Host Bus Adapter Installation and User's Guide, 48P9823		X			X	
IBM FAST Management Suite Java User's Guide, 32P0081					X	X
IBM TotalStorage Fibre Channel Hardware Maintenance Manual and Problem Determination Guide, GC26-7528						X

FAST200 Fibre Channel Storage Server library

Table 6 associates each document in the FAST200 Fibre Channel Storage Server library with its related common user tasks.

Table 6. TotalStorage FAST200 and FAST High Availability Storage Server document titles by user tasks

Title	User Tasks					
	Planning	Hardware Installation	Software Installation	Configuration	Operation and Administration	Diagnosis and Maintenance
IBM FAST200 and FAST200 HA Storage Servers Installation and User's Guide, 59P6243	X	X		X	X	
IBM FAST200 Fibre Channel Cabling Instructions, 21P9094	X	X				
IBM FAST FC2-133 Dual Port Host Bus Adapter Installation and User's Guide, GC26-7532		X			X	

Table 6. TotalStorage FASiT200 and FASiT High Availability Storage Server document titles by user tasks (continued)

Title	User Tasks					
	Planning	Hardware Installation	Software Installation	Configuration	Operation and Administration	Diagnosis and Maintenance
IBM FASiT FC2-133 Host Bus Adapter Installation and User's Guide, 48P9823		X			X	
IBM FASiT Management Suite Java User's Guide, 32P0081					X	X
IBM TotalStorage Fibre Channel Hardware Maintenance Manual and Problem Determination Guide, GC26-7528						X

FASiT related documents

Table 7 associates each of the following documents related to FASiT operations with its related common user tasks.

Table 7. TotalStorage FASiT related document titles by user tasks

Title	User Tasks					
	Planning	Hardware Installation	Software Installation	Configuration	Operation and Administration	Diagnosis and Maintenance
IBM Safety Information, P48P9741					X	
IBM Netfinity® Fibre Channel Cabling Instructions, 19K0906		X				
IBM Fibre Channel SAN Configuration Setup Guide, 25P2509	X		X	X	X	

Notices used in this document

This document can contain the following notices that are designed to highlight key information.

- **Note:** These notices provide important tips, guidance, or advice.
- **Important:** These notices provide information that might help you avoid inconvenient or problem situations.
- **Attention:** These notices indicate possible damage to programs, devices, or data. An attention notice is placed just before the instruction or situation in which damage could occur.

- **Caution:** These statements indicate situations that can be potentially hazardous to you. A caution statement is placed just before the description of a potentially hazardous procedure step or situation.
- **Danger:** These statements indicate situations that can be potentially lethal or extremely hazardous to you. A danger statement is placed just before the description of a potentially lethal or extremely hazardous procedure step or situation.

Getting information, help, and service

If you need help, service, or technical assistance or just want more information about IBM products, you will find a wide variety of sources available from IBM to assist you. This section contains information about where to go for additional information about IBM and IBM products, what to do if you experience a problem with your IBM @server xSeries™ or IntelliStation® system, and whom to call for service, if it is necessary.

Before you call

Before you call, make sure that you have taken these steps to try to solve the problem yourself:

- Check all cables to make sure that they are connected.
- Check the power switches to make sure that the system is turned on.
- Use the troubleshooting information in your system documentation, and use the diagnostic tools that come with your system.
- Check for technical information, hints, tips, and new device drivers at the IBM Support Web site:
www.ibm.com/storage/techsup.htm
- Use an IBM discussion forum on the IBM Web site to ask questions.

You can solve many problems without outside assistance by following the troubleshooting procedures that IBM provides in the online help or in the documents that are provided with your system and software. The information that comes with your system also describes the diagnostic tests that you can perform. Most xSeries and IntelliStation systems, operating systems, and programs come with information that contains troubleshooting procedures and explanations of error messages and error codes. If you suspect a software problem, see the information for the operating system or program.

Using the documentation

Information about your xSeries or IntelliStation system and preinstalled software, if any, is available in the documents that come with your system. This includes printed documents, online documents, readme files, and help files. See the troubleshooting information in your system documentation for instructions about how to use the diagnostic programs. The troubleshooting information or the diagnostic programs might tell you that you need additional or updated device drivers or other software.

Web sites

IBM maintains pages on the World Wide Web where you can get the latest technical information and download device drivers and updates.

- For FAStT information, go to the following Web site:
www.ibm.com/storage/techsup.htm

The support page has many sources of information and ways for you to solve problems, including:

- Diagnosing problems, using the IBM Online Assistant
- Downloading the latest device drivers and updates for your products
- Viewing frequently asked questions (FAQ)
- Viewing hints and tips to help you solve problems
- Participating in IBM discussion forums
- Setting up e-mail notification of technical updates about your products
- You can order publications through the IBM Publications Ordering System at the following Web site:
www.elink.ibm.com/public/applications/publications/cgibin/pbi.cgi
- For the latest information about IBM xSeries products, services, and support, go to the following Web site:
www.ibm.com/eserver/xseries
- For the latest information about the IBM IntelliStation, go to the following Web site:
www.ibm.com/pc/intellistation
- For the latest information about operating system and HBA support, clustering support, SAN fabric support, and Storage Manager feature support, see the TotalStorage FASTT Interoperability Matrix at the following Web site:
www.storage.ibm.com/disk/fastt/pdf/0217-03.pdf

Software service and support

Through IBM Support Line, for a fee you can get telephone assistance with usage, configuration, and software problems with xSeries servers, IntelliStation workstations, and appliances. For information about which products are supported by Support Line in your country or region, go to the following Web site:

www.ibm.com/services/sl/products

For more information about the IBM Support Line and other IBM services, go to the following Web sites:

- www.ibm.com/services
- www.ibm.com/planetwide

Hardware service and support

You can receive hardware service through IBM Integrated Technology Services or through your IBM reseller, if your reseller is authorized by IBM to provide warranty service. Go to the following Web site for support telephone numbers:

www.ibm.com/planetwide

In the U.S. and Canada, hardware service and support is available 24 hours a day, 7 days a week. In the U.K., these services are available Monday through Friday, from 9 a.m. to 6 p.m.

How to send your comments

Your feedback is important to help us provide the highest quality information. If you have any comments about this document, you can submit them in one of the following ways:

- E-mail

Submit your comments electronically to:

starpubs@us.ibm.com

Be sure to include the name and order number of the document and, if applicable, the specific location of the text you are commenting on, such as a page number or table number.

- Mail or fax

Fill out the Readers' Comments form (RCF) at the back of this document and return it by mail or fax (1-800-426-6209) or give it to an IBM representative. If the RCF has been removed, you can address your comments to:

International Business Machines Corporation
RCF Processing Department
Dept. M86/Bldg. 050-3
5600 Cottle Road
San Jose, CA 95193-0001
U.S.A

When you send information to IBM, you grant IBM a nonexclusive right to use or distribute the information in any way it believes appropriate without incurring any obligation to you.

Chapter 1. Preparing and installing the FAStT FC2-133

This chapter contains instructions on how to prepare and install the FAStT FC2-133. It also describes the adapter components.

Overview

The FAStT FC2-133 is a 2 Gbps high-performance, direct memory access (DMA), bus master, fibre channel (FC) host bus adapter that is designed for high-end systems. The function and performance are derived from the ISP2312 chip (see Figure 2 on page 2), making the FAStT FC2-133 a leading-edge host bus adapter.

The ISP2312 chip combines a powerful, reduced instruction set computer (RISC) processor, a fibre-channel protocol manager (FPM) with two 2 Gbps fibre-channel transceivers, and a peripheral component interconnect (PCI) or peripheral component interconnect-extended (PCI-X) local bus interface in a single-chip solution. The FAStT FC2-133 supports all fibre-channel peripheral devices that support private-loop direct attach (PLDA) and fabric-loop attach (FLA).

The FAStT FC2-133 connects the following hardware:

- Mainframe computers
- Super computers
- Workstations
- Storage devices
- Servers

Overview of fibre channel

Fibre channel is a high-speed data transport technology used for mass storage and networking. By using a fibre-channel arbitrated loop (FC-AL), 126 fibre-channel devices can be supported, compared to 15 small computer system interface (SCSI) devices with Ultra SCSI.

The FAStT FC2-133 uses multimode shortwave optical interfaces for distances up to 550 m (1804 ft.) when operating at 1 Gbps or up to 300 m (984 ft.) when operating at 2 Gbps. The FAStT FC2-133 supports data transfer rates up to 200 MBps half-duplex and 400 MBps full-duplex on optical interfaces.

For more information about fibre channel technology, see the SCSI-3 Fibre Channel Protocol (SCSI-FCP) standard.

FAStT FC2-133 features

The FAStT FC2-133 has the following features:

- Compliance with the following standards and specifications:
 - Intel® PCI Local Bus version 2.2 specification
 - PCI-X addendum, revision 1.0 to the Intel PCI Local Bus version 2.2 specification
 - Third Generation Fibre Channel Physical and Signaling Interface (PC-PH-3), revision 9.2
 - Fibre-channel arbitrated loop (FC-AL-2) standard
 - U.S. and international safety and emissions standards

- Supports direct memory access (DMA)
- Supports bus master
- Uses the Fast!UTIL basic input/output system (BIOS) utility program to customize the configuration parameters on the FAStT FC2-133 and attached drives
- Supports fibre channel protocol SCSI (FCP-SCSI) and fibre channel Internet protocol (FCP-IP)
- Supports point-to-point fabric connection (F_PORT FABRIC LOGIN)
- Supports fibre channel service (Classes 2 and 3)
- Contains two independent channels on a single HBA

FAStT FC2-133 components

Figure 2 identifies the FAStT FC2-133 components that are referred to in this document.

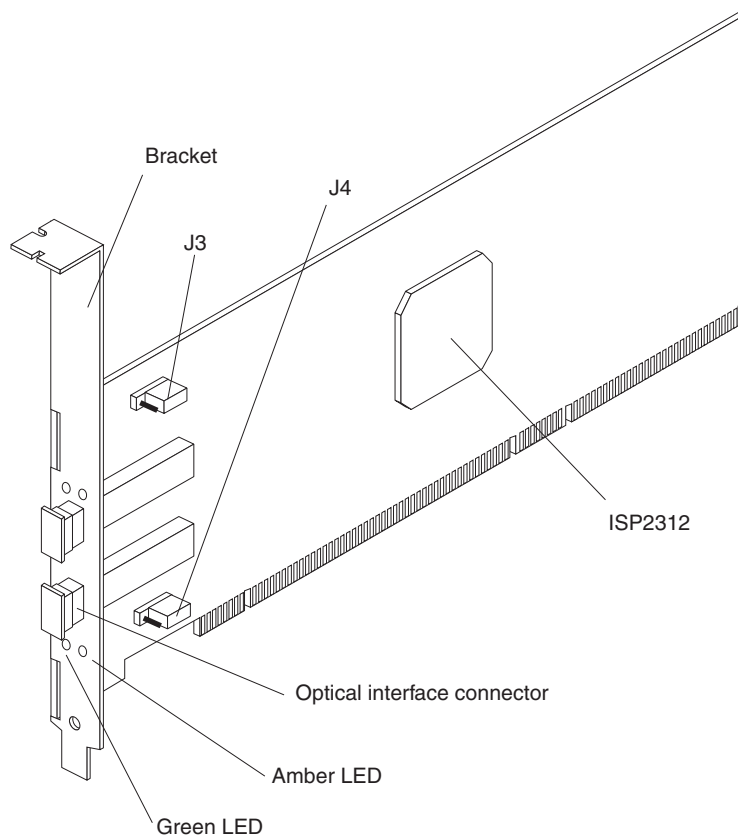


Figure 2. FAStT FC2-133 components

Each port has its own set of status light emitting diodes (LEDs). Table 8 on page 3 describes the green and amber LEDs and the activity that is indicated by the LEDs. For more information about the FAStT FC2-133 LED activity and troubleshooting, see the *IBM TotalStorage FAStT Hardware Maintenance Manual and Problem Determination Guide*.

Table 8. FAStT FC2-133 LED activity

Green LED	Amber LED	Activity	Description
On	On	Power	The FAStT FC2-133 is receiving power from the PCI or PCI-X slot but is not initialized by the adapter firmware.
On	Off	Online	The FAStT FC2-133 is successfully initialized by the adapter firmware and is in a ready state. The adapter firmware is initialized when you load the adapter BIOS code, press Ctrl+Q, or load the operating system driver.
Off	On	Signal acquired	The FAStT FC2-133 firmware is performing or waiting to perform fibre channel loop initialization.
Off	Flashing	Loss of synchronization	The FAStT FC2-133 has detected a loss of synchronization condition from the adapter fibre-channel receiver and is attempting to resynchronize. A loss of synchronization condition might occur when LC-LC fibre channel cable or optical interface connector send a degraded optical signal.
Flashing	Flashing	Firmware error	The FAStT FC2-133 firmware has detected an unrecoverable error condition.

Preinstallation procedures

Complete the following tasks before you begin the installation:

- Read “Handling static-sensitive devices” on page 4.
- Read “What you need for the installation” on page 5.
- Write down the serial number of the FAStT FC2-133. Each adapter has a unique serial number. If the nonvolatile random access memory (NVRAM) (also referred to as NOVRAM) is damaged, the system prompts you for the FAStT FC2-133 serial number. Figure 3 on page 4 shows the location of the serial number label.

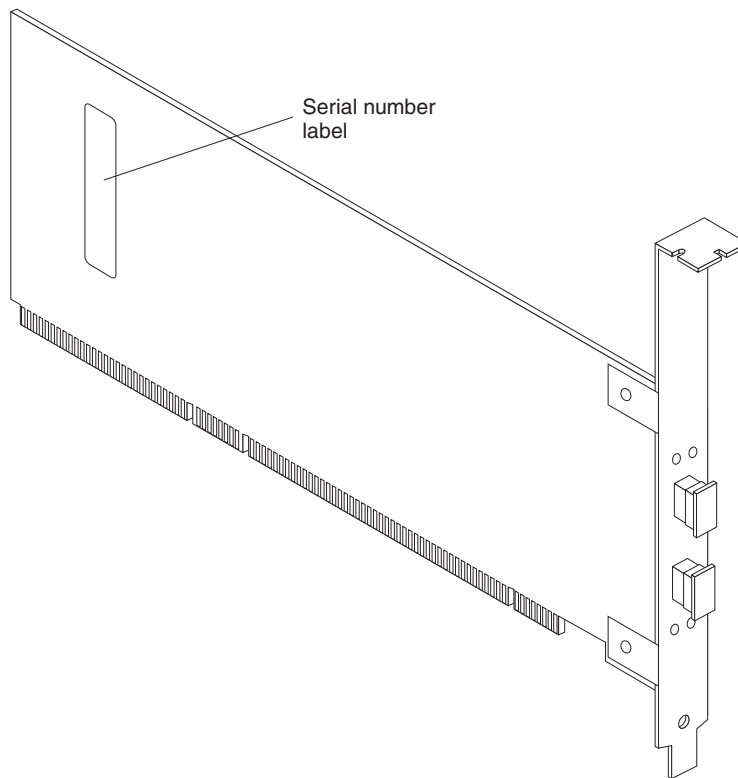


Figure 3. FASiT FC2-133 serial number label

Handling static-sensitive devices

Attention: Static electricity can damage electronic devices and your system. To avoid damage, keep static-sensitive devices in their static-protective package until you are ready to install them.

To reduce the possibility of electrostatic discharge (ESD), observe the following precautions:

- Limit your movement. Movement can cause static electricity to build up around you.
- Handle the device carefully, holding it by its edges or its frame.
- Do not touch solder joints, pins, or exposed printed circuitry.
- Do not leave the device where others can handle and possibly damage the device.
- While the device is still in its static-protective package, you should hold the device and touch an unpainted metal part of the system unit for at least 2 seconds. This drains static electricity from the package and from your body.
- Remove the device from its package and install it directly into your system unit without setting it down. If it is necessary to set the device down, place it in its static-protective package. Do not place the device on your system unit cover or on a metal table.
- Take additional care when handling devices during cold weather because heating reduces indoor humidity and increases static electricity.

What you need for the installation

To install the FAStT FC2-133 in your server, you will need a small Phillips screwdriver. Depending on your configuration, you might need the following two items:

- An LC-LC fibre channel cable¹. This cable enables you to connect fibre-channel nodes to a loop.
- LC-SC fibre channel cable¹. This cable enables you to connect an LC-LC fibre-channel cable to a device that requires an SC connector.

Installing the FAStT FC2-133

Attention: To avoid damage to your fiber-optic cables, follow these guidelines:

- Do not route the cable along a folding cable-management arm.
- When you attach fiber-optic cables to a fibre-channel device on slide rails, leave enough slack in the cables so that they do not bend to an angle smaller than 38 mm (1.5 in.) when they are extended or so that they do not become pinched when retracted.
- Route the cable away from places where it can snag on other fibre-channel devices in the rack.
- Do not overtighten the cable straps or bend the cables to an angle smaller than 38 mm (1.5 in.).
- Do not put excess weight on the cable at the connection point and be sure that the cable is well-supported.

The FAStT FC2-133 comes with an attached standard 3U adapter bracket, as shown in Figure 2 on page 2. A Low Profile 2U bracket also comes with the adapter. Before you install the FAStT FC2-133, check the size of the storage server to verify whether you need the Low Profile 2U adapter bracket. If you need to install the Low Profile 2U bracket, go to step 1. Otherwise, go to step 2.

1. Complete the following steps to install the Low Profile 2U adapter bracket:
 - a. Remove your FAStT FC2-133 from the static-protective package. Set it down on a nonconductive, static-protected surface (place it component side up). Do not place the adapter on your system unit cover or on a metal table.
 - b. Using a small Phillips screwdriver, carefully remove the two bracket screws from the 3U adapter (you will reuse the two adapter screws). Remove the 3U adapter bracket and set it aside.
 - c. Align the two screw holes in the 2U adapter bracket with the two screws holes on the adapter. Using the two screws that you removed in step 1b, secure the bracket to the adapter.
 - d. Return the adapter to the static-protective package until you are ready for installation.
2. Check the system board and make any configuration changes that are needed to accommodate the FAStT FC2-133.

Note: The FAStT FC2-133 is self-configuring; however, some system boards require manual configuration. For example, some systems have a PCI Device Configuration menu in the system board setup BIOS code where you must enable host bus adapters, bus-master slots, and interrupt request (IRQ) levels. If the system board supports triggering, use level

1. These cables do not come with the IBM TotalStorage FAStT FC2-133 Host Bus Adapter. You must order them separately.

triggering for the FAStT FC2-133. For system specific configuration, see the documentation that comes with your server, or contact your IBM technical support representative to determine if your system board requires configuration.

3. Turn off the peripheral devices. Then turn off the server.
4. Disconnect the power cords.
5. Remove the server cover.
6. Choose a PCI bus-master slot that supports bus mastering. Most system boards automatically assign an IRQ level and interrupt line. If your system board does not automatically assign an IRQ level and interrupt line, you must assign an IRQ level and use interrupt line A for this PCI bus-master slot. Before you install the adapter into a PCI bus-master slot, note the following points:
 - Some system boards have two kinds of PCI bus slots: master and subordinate. The FAStT FC2-133 must be in a PCI bus-master slot. (Some system boards have PCI bus-master slots that are shared with on-board devices. The FAStT FC2-133 does not work in shared PCI bus-master slots.)
 - PCI connectors vary among system board manufacturers. The FAStT FC2-133 is a 64-bit PCI device that can function in a 32-bit PCI bus-master slot.
 - The FAStT FC2-133 is designed and tested to operate at PCI bus speeds up to 66 MHz and PCI-X bus speeds up to 133 MHz.
 - PCI and PCI-X slots look the same. If the server contains both PCI and PCI-X bus-master slots, see the documentation that comes with the server to determine the slot type.
7. Remove the expansion slot cover. Before you remove the cover, see the documentation that comes with the server for specific removal instructions.

Attention: If you try to install the FAStT FC2-133 into a PCI bus-master slot that does not conform to the PCI specification, you might damage the FAStT FC2-133.
8. Align the adapter with the expansion slot. Carefully press it into the PCI bus-master slot until it is fully seated and secure.
9. Connect one end of an LC-LC fibre-channel cable to one of the optical interface connectors on the FAStT FC2-133. Connect the other end of the cable to a fibre-channel device. You can connect another device to the unused optical interface connector.
10. Carefully install and secure the server cover.
11. Connect the power cables.
12. Turn on all external fibre-channel devices. Then turn on the server. The following information is displayed:

```
QLogic Corporation QLA2312 PCI Fibre Channel ROM BIOS Version X.XX Copyright (C)
QLogic Corporation 1993-2002 All Rights Reserved. www.qlogic.com Press <Ctrl+Q>
for Fast!UTIL BIOS for Adapter 0 is disabled ROM BIOS not installed
```

To display the fibre-channel devices, press Ctrl+Q, and then use the Fast!UTIL program. See Chapter 3, “Configuring the FAStT FC2-133 with Fast!UTIL”, on page 15 for detailed information about Fast!UTIL.

If the information that is displayed is correct, go to Chapter 2, “Updating the FAStT FC2-133 BIOS code and installing device drivers”, on page 9 for detailed instructions on how to update the FAStT FC2-133 BIOS code.

If the information that is displayed is not correct and you have checked the adapter configuration, go to Chapter 5, “Troubleshooting”, on page 23 for problem solving information.

Chapter 2. Updating the FASTT FC2-133 BIOS code and installing device drivers

After you install the FASTT FC2-133, you must update the BIOS code, update the nonvolatile random access memory (NVRAM), and install the device drivers.

Important: The BIOS Update Utility treats each of the two fibre-channel ports of the FASTT FC2-133 as a separate port. This means that if you program the flash or NVRAM using the I/O address of one FASTT FC2-133 port, you must repeat the same process to program the other FASTT FC2-133 port.

You can update the adapter BIOS code either by using the BIOS Update Utility from the support CD that comes with the adapter (see “Updating the BIOS code and NVRAM from the support CD”) or by creating and using a BIOS Update Utility diskette (see “Updating the BIOS code and NVRAM from the BIOS Update Utility diskette” on page 11).

To install the device drivers, see “Installing the FASTT FC2-133 device drivers” on page 14.

Note: For the latest information about supported operating systems, versions of device drivers, utilities, and documentation, go to the following Web site:
www.ibm.com/pc/support/

Updating the BIOS code and NVRAM from the support CD

To update the FASTT FC2-133 BIOS code and NVRAM using the BIOS Update Utility on the support CD, choose one of the following methods:

- flasutil command prompt. Use this method to type in command-line options. See “Using the flasutil command prompt”.
- flasutil BIOS Update Utility menu. Use this method to select a command-line option from the menu. See “Using the flasutil BIOS Update Utility menu” on page 11.

Using the flasutil command prompt

Complete the following steps to update the FASTT FC2-133 BIOS code and NVRAM using the command line:

1. Insert the IBM TotalStorage FASTT FC2-133 Dual Port Host Bus Adapter Support CD into the CD-ROM drive. Restart the server. Your server displays a DOS prompt.
2. Update the BIOS code in the flash utility by typing the following command:
`flasutil /f`
Press Enter.
3. Update the NVRAM by typing the following command:
`flasutil /l`
Press Enter.
4. Update the standard BIOS defaults in the flash utility to the new defaults from the NVRAM files by typing the following command:
`flasutil /u`
Press Enter.

5. To review additional command-line options that you can use, go to “Additional command-line options”. Then return to step 6.
6. Remove the support CD from the CD-ROM drive and restart the server.
7. Go to “Installing the FAStT FC2-133 device drivers” on page 14.

Additional command-line options

This section describes additional command-line options that you can use. Complete the following steps to review these command-line options:

1. At the DOS prompt, type the following command: `flasutil /?`
2. Press Enter.

The following command-line options display:

```

/F xxxx = Write Flash, adapter address = xxxx      If no address specified then
write Flash to all adapters /W xxxx = Copy Flash to file: QLxxRIM.SAV, adapter
type = xxxx /O <filename.ext> = Use <filename.ext> instead of QLxxROM.BIN /I =
Ignore Subsystem ID /P = Program all adapters /M = Don't prompt for I/O address /Q
= Quiet Mode, no messages will be displayed /S xxxx = Display serial number of
adapter at address xxxx      If no address specified then display the serial number
of all adapters /V xxxx = Display current version number of BIOS on adapters at
address xxxx      If no address specified then display the BIOS version of all
adapters /C xxxx = Verify Flash of adapter at address xxxx      If no address
specified verify the Flash of all adapters /Y xxxx = Display port name of adapter
at address xxxx      If no address specified then display port name of all adapters
/L xxxx = Write NOVRAM, adapter address = xxxx      If no address specified then
write NOVRAM to all adapters /D xxxx = Copy NOVRAM to file: QL1xNVRM.SAV, adapter
address = xxxx /U xxxx = Update BIOS NOVRAM defaults, adapter address = xxxx
If no address specified then write then update all adapters /N <filename.ext> =
Use <filename.ext> instead of NVRMxx0.DAT /T = Multiport Fibre Channel adapter /X
xxxx = Verify NOVRAM of adapter at address xxxx

```

Notes:

1. All of the listed options are supported and you can run them from the command line. Options /L, /D, /U, /N, /T, and /X might not display.
2. The command-line option is not case-sensitive. Either /f or /F can be used to initiate the adapter flash BIOS update.

Table 9 shows additional command-line options that you can use, along with an explanation of each option.

Table 9. Examples of flasutil command-line options

Command	Description
<code>flasutil /L</code>	Write NVRAM on all FAStT host bus adapters in a system without being prompted for an I/O address.
<code>flasutil /W F600</code>	Save the existing flash code to file QL2312RM.SAV.
<code>flasutil /L f400</code>	Write NVRAM to the adapter at I/O address f400.
<code>flasutil /L f800 /F f800</code>	Write NVRAM and flash an adapter at I/O address f800.
<code>flasutil /L /F</code>	Write NVRAM and flash all adapters.
<code>flasutil /D</code>	Save NVRAM to file QL23NVRM.SAV.
<code>flasutil /U</code>	Update BIOS NVRAM defaults.
<code>flasutil /X</code>	Verify NVRAM in all adapters.

Using the flasutil BIOS Update Utility menu

Complete the following steps to update the FAStT FC2-133 BIOS code and NVRAM by using the flasutil BIOS Update Utility menu:

1. Insert the IBM TotalStorage FAStT FC2-133 Dual Port Host Bus Adapter Support CD into the CD-ROM drive. Restart the server. Your server displays a DOS prompt.
2. Type the following command: `flasutil`
Press Enter.
3. A list of adapters and I/O addresses displays. At the command prompt, type the appropriate I/O address and press Enter.
4. The following option menu displays:

```
F = Write Flash W = Copy Flash to file: QLxxROM.SAV S = Display serial number V =  
Display current BIOS version C = Verify Flash Y = Display port name L = Write  
NOVRAM A = Write NOVRAM and defaults D = Copy NOVRAM to file:QLxxNVRM.SAV U =  
Update BIOS NOVRAM defaults X = Verify NOVRAM
```

Notes:

- a. All of the listed options are supported and you can run them from the command line. Options L, A, D, U, and X might not display. The command-line option is not case-sensitive.
 - b. You can configure each adapter with more than one option.
5. Type the letter for the option that you want and press Enter.
 6. If you have additional adapters installed, if you want to program the other port of the adapter, or if you want to configure your adapter with more than one option, continue with step 7. Otherwise, go to step 8.
 7. Repeat steps 2 through 5 for each additional adapter or port.
 8. Remove the CD from the CD-ROM drive and restart the server.
 9. Go to “Installing the FAStT FC2-133 device drivers” on page 14.

Updating the BIOS code and NVRAM from the BIOS Update Utility diskette

If you cannot use the support CD to update the adapter BIOS code, you can create a diskette using the support CD. The following sections describe how to create and use the diskette.

Note: For a Novell NetWare environment, you will need to unpack the BIOS Update Utility diskette using a server that is running a Microsoft® Windows NT®, Windows® 2000, or Linux operating system.

Creating the BIOS Update Utility diskette

Create the BIOS Update Utility diskette by copying the image you need from the IBM TotalStorage FAStT FC2-133 Dual Port Host Bus Adapter Support CD or by downloading the image from the following Web site:

www.ibm.com/pc/support

For Microsoft Windows NT or Windows 2000

Complete the following steps to create a BIOS Update Utility diskette for Microsoft Windows NT or Windows 2000 from the IBM TotalStorage FAStT FC2-133 Host Bus Adapter Support CD:

1. Insert the support CD into the CD-ROM drive.
2. Insert a diskette into the diskette drive.
3. At the command prompt, type the following command:
`d:\tools\dsk4w32 d:\images\biosnvr\23x0\2342_xxx.img a:`
 Where *d* is the CD-ROM drive and *a* is the diskette drive.
4. Press Enter.
5. Remove the support CD from the CD-ROM drive.
6. Remove the diskette from the diskette drive and label the diskette appropriately.

For Linux

Complete the following steps to create a BIOS Update Utility diskette for Linux from the IBM TotalStorage FAS^T FC2-133 Dual Port Host Bus Adapter Support CD:

1. Insert the support CD into the CD-ROM drive and restart the server.
2. Insert a diskette into the diskette drive.
3. At the command prompt, type the following command: `mount -t iso9660/dev/cdromdevicefile /mnt`
 Where *cdromdevicefile* is the specific device file for the CD-ROM block device.
4. Press Enter.
5. Type: `dd if=/mnt/images/biosnvr/23x0/2342_xxx.img of=/dev/diskettefile bs=32`
 Press Enter.
6. Unmount the CD-ROM by typing the following command: `umount /mnt`
7. Remove the support CD from the CD-ROM drive.
8. Remove the diskette from the diskette drive and label the diskette appropriately.

Updating the BIOS code and NVRAM from the diskette

Use one of the following methods to update the BIOS code and NVRAM using the BIOS Update Utility from the diskette:

- flasutil command prompt. Use this method to type in command-line options. See “Using the flasutil command prompt”.
- flasutil BIOS Update Utility menu. Use this method to select a command-line option from the menu. See “Using the flasutil BIOS Update Utility menu” on page 13.

Important: The BIOS Update Utility treats each of the two fibre-channel ports of the FAS^T FC2-133 adapter as a separate port. This means that if you program the flash or NVRAM using the I/O address of one FAS^T FC2-133 port, you must repeat the same process to program the other FAS^T FC2-133 port.

Using the flasutil command prompt

Complete the following steps to update the BIOS code and NVRAM using the flasutil command prompt:

1. Insert the BIOS Update Utility diskette that you created into the diskette drive and restart the server. Your server displays a DOS prompt.
2. Update the BIOS in the flash utility by typing the following command: `flasutil /f`
 Press Enter.
3. Update the NVRAM by typing the following command: `flasutil /l`
 Press Enter.

4. Update the standard BIOS defaults in the flash utility to the new defaults from the NVRAM files by typing the following command: `flasutil /u`
Press Enter.
5. To review additional command-line options that you can use, continue with "Command-line options". Otherwise, continue with step 6.
6. Remove the diskette from the diskette drive and restart the server.
7. Go to "Installing the FAStT FC2-133 device drivers" on page 14.

Command-line options: This section describes additional command-line options that you can use. Complete the following steps to review these command-line options:

1. At the DOS prompt, type the following command: `flasutil /?`
2. Press Enter.

The following command-line options display:

```

/F xxxx = Write Flash, adapter address = xxxx      If no address specified then
write Flash to all adapters /W xxxx = Copy Flash to file: QLxxRIM.SAV, adapter
type = xxxx /O <filename.ext> = Use <filename.ext> instead of QLxxROM.BIN /I =
Ignore Subsystem ID /P = Program all adapters /M = Don't prompt for I/O address /Q
= Quiet Mode, no messages will be displayed /S xxxx = Display serial number of
adapter at address xxxx      If no address specified then display the serial number
of all adapters /V xxxx = Display current version number of BIOS on adapters at
address xxxx      If no address specified then display the BIOS version of all
adapters /C xxxx = Verify Flash of adapter at address xxxx      If no address
specified verify the Flash of all adapters /Y xxxx = Display port name of adapter
at address xxxx      If no address specified, then display port name of all
adapters /L xxxx = Write NOVRAM, adapter address = xxxx      If no address
specified then write NOVRAM to all adapters /D xxxx = Copy NOVRAM to file:
QL1xNVRM.SAV, adapter address = xxxx /U xxxx = Update BIOS NOVRAM defaults,
adapter address = xxxx      If no address specified then write then update all
adapters /N <filename.ext> = Use <filename.ext> instead of NVRMxx0.DAT /T =
Multiport Fibre Channel adapter /X xxxx = Verify NOVRAM of adapter at address xxxx

```

Notes:

- a. All of the listed options are supported and you can run them from the command line. Options /L, /D, /U, /N, /T, and /X might not display.
- b. The command-line option is not case-sensitive. Either /f or /F can be used to initiate the adapter flash BIOS update.

Table 9 on page 10 describes examples of additional command-line options that you can use.

Using the flasutil BIOS Update Utility menu

Complete the following steps to update your BIOS code and NVRAM using the flasutil BIOS Update Utility:

1. Insert the BIOS Update Utility diskette into the diskette drive and restart the server. Your server displays a DOS prompt.
2. From the DOS prompt, type: `flasutil`
3. Press Enter.
4. A list of adapters and I/O addresses displays. At the command prompt, type the appropriate I/O address and press Enter.

5. The following option menu displays:

```
F = Write Flash W = Copy Flash to file: QLxxROM.SAV S = Display serial number V =  
Display current BIOS version C = Verify Flash Y = Display port name L = Write  
NOVRAM A = Write NOVRAM and defaults D = Copy NOVRAM to file: QLxxNVRM.SAV U =  
Update BIOS NOVRAM defaults X = Verify NOVRAM
```

Notes:

- a. All of the listed options are supported and you can run them from the command line. Options L, A, D, U, and X might not display. The command-line option is not case-sensitive.
 - b. You can configure each adapter with more than one option.
6. Type the letter for the option that you want and press Enter.
 7. If you have additional adapters installed, if you want to program the other port of the adapter, or if you want to configure your adapter with more than one option, continue with step 8. Otherwise, go to step 9.
 8. Repeat steps 2 through 5 for each additional adapter or port.
 9. Remove the CD from the CD-ROM drive and restart the server.
 10. Go to “Installing the FAStT FC2-133 device drivers”.

Installing the FAStT FC2-133 device drivers

The device drivers and installation instructions for the following supported operating systems are provided on the IBM TotalStorage FAStT FC2-133 Dual Port Host Bus Adapter Support CD:

- Microsoft Windows
- Windows NT
- Novell NetWare
- Linux

The device driver installation instructions are in a readme file located in the appropriate operating system directory.

Note: For the latest supported operating systems, versions of the device drivers, utilities, and documentation, go to the following Web site:

www.ibm.com/pc/support

Chapter 3. Configuring the FAStT FC2-133 with Fast!UTIL

This chapter provides detailed configuration information for advanced users who want to customize the configuration of the FAStT FC2-133 and the connected fibre-channel devices. You can configure the adapter using the Fast!UTIL utility.

Starting Fast!UTIL

To access Fast!UTIL, press Ctrl+Q during the BIOS initialization; it might take a few seconds for the Fast!UTIL menu to display. Fast!UTIL prompts you to select the adapter that you want to configure. After you change the settings that are described in the “Configuration Settings menu options” section, Fast!UTIL restarts the system to enable the new parameters.

Important: If the configuration settings are incorrect, the FAStT FC2-133 will not function properly. Do not modify the default configuration settings unless you are instructed to do so by an IBM technical support representative or by the installation instructions. The default settings are for a typical Microsoft Windows installation. See the FAStT FC2-133 device driver readme file of the appropriate operating system for the required NVRAM setting modifications for that operating system.

Configuration Settings menu options

The menu options described in this section configure the fibre-channel devices and the FAStT FC2-133 to which they are attached. The Configuration Settings menu displays several options that you can use to configure the adapter and attached devices.

Host bus adapter settings

You can modify most of the host bus adapter settings. The current default settings for the host bus adapter are listed in Table 10. These settings are described following the table. You can modify the following default host bus adapter settings.

Table 10. Modifiable host bus adapter default settings

Setting	Options	Default
Host adapter BIOS	Enabled or Disabled	Disabled
Frame size	512, 1024, 2048	2048
Loop reset delay	0 - 60 seconds	5 seconds
Adapter hard loop ID	Enabled or Disabled	Enabled
Hard loop ID	0 - 125	125
Spin up delay	Enabled or Disabled	Disabled

Host adapter BIOS

When this option is set to Disabled, the read-only memory (ROM) BIOS code on the FAStT FC2-133 is disabled, freeing space in upper memory. You must enable this setting if you are starting your operating system from an external fibre-channel hard disk that is attached to the FAStT FC2-133. The default is Disabled.

Frame size

This setting specifies the maximum frame length that is supported by the

FASTT FC2-133. The default size is 2048. If you are using fabric port (F_port) (point-to-point) connections, use the default for maximum performance.

Loop reset delay

When you reset the fibre-channel loop, the firmware does not initiate any loop activity for the number of seconds that are specified in this setting. The default is 5 seconds.

Adapter hard loop ID

This setting forces the adapter to use the ID that is specified in the hard loop ID setting. The default is Enabled.

Hard loop ID

When the adapter hard loop ID is set to Enabled, the adapter uses the ID that is specified in this setting. The default ID is 125. If there are multiple host bus adapters in the fibre-channel loop, each adapter must be assigned a unique address.

Spin up delay

When this setting is Enabled, the BIOS code waits up to 5 minutes to find the first drive. The default is Disabled.

Note: The FASTT FC2-133 settings and default values will vary, based on the version of BIOS code installed for the adapter.

There are specific host bus adapter settings that you cannot modify. Table 11 lists these host bus adapter settings and shows examples of the nonmodifiable values.

Note: See the device driver installation instructions for the required operating-system specific modifications to the NVRAM.

Table 11. Nonmodifiable host bus adapter settings and examples

Setting	Example
BIOS address	CD400
Revision	1.25
Adapter serial number	E59719
Interrupt level	3
Adapter port name	210000E08B07C703

BIOS address

The BIOS address is the I/O address where the BIOS code is stored when you press Ctrl+Q or when you have the BIOS code enabled for starting from the root directory. This is the address of the BIOS code in ROM shadow memory. Multiple adapters can be installed in the server, but only one BIOS instance is loaded for all of the adapters.

Note: The BIOS code is loaded from the first port of the first adapter that the server recognizes. This code is used for all remaining FASTT FC2-133 Single Port and FC2-133 Dual Port adapters in the same bus or server. The level of BIOS code that is loaded does not affect other adapters with earlier BIOS code levels.

Revision

The BIOS revision is the revision number of the BIOS code that is loaded from the first FASTT FC2-133 that the server recognizes. Each FASTT

FC2-133 in the server has the same BIOS code revision number because only one BIOS code instance is loaded.

Adapter serial number

The adapter serial number is located on the noncomponent side of the adapter. See Figure 3 on page 4 for the location of the serial number label.

Interrupt level

The interrupt level is the interrupt that is used by the FAStT FC2-133. The interrupt level can change when the operating system is installed.

Adapter port name

This is the worldwide port name.

Selectable boot settings

When you set the Selectable Boot Settings option to Enabled, you can select the worldwide port name of the fibre-channel hard disk from which you want to start up (boot). When this option is set to Enabled, the node starts from the selected fibre-channel hard disk, ignoring any IDE or SCSI hard disks that are attached to your server. When this option is set to Disabled, the Boot ID and Boot LUN parameters have no effect.

The BIOS code in some new systems supports selectable start up, which supersedes the Fast!UTIL selectable start up setting. To start from a fibre-channel hard disk that is attached to the FAStT FC2-133, select the attached fibre-channel hard disk from the system BIOS menu.

Note: The Selectable Boot Settings option for the FAStT FC2-133 applies to only fibre-channel hard disk drives.

Restore default settings

You can use the Restore Default Settings option to restore the FAStT FC2-133 default settings and NVRAM.

The default NVRAM settings are the adapter settings that were saved the last time an NOVRAM update operation was run from the BIOS Update Utility program (option U or command line /U switch). If the BIOS Update Utility program has not been used to update the default NOVRAM settings since the adapter was installed, the factory settings are loaded.

Raw NOVRAM data

You can use the Raw NOVRAM Data option to display the adapter NVRAM contents in hexadecimal format. This is a troubleshooting tool. You cannot modify the data.

Advanced adapter settings

You can modify the advanced adapter settings from the Configuration Settings menu. The current default settings for the FAStT FC2-133 are listed in Table 12. These settings are described following the table.

Table 12. Advanced adapter settings

Setting	Options	Default
Execution throttle	1 - 256	256
>4GByte addressing	Enabled or Disabled	Disabled

Table 12. Advanced adapter settings (continued)

Setting	Options	Default
LUNs per target	0, 8, 16, 32, 64, 128, 256	0
Enable LIP reset	Yes or No	No
Enable LIP full login	Yes or No	Yes
Enable target reset	Yes or No	Yes
Login retry count	0 - 255	30
Port down retry count	0 - 255	30
IOCB allocation	1 - 512 buffers	256 buffers
Extended error logging	Enabled or Disabled	Disabled

Execution throttle

This setting specifies the maximum number of commands that are running on any one port. When a port reaches its execution throttle, Fast!UTIL does not run any new commands until the current command is completed. The valid options for this setting are 1 - 256. The default (optimum) is 256.

>4GByte addressing

Set this option to Enabled when the system has more than 4 GB of memory available. The default is Disabled.

LUNs per target

This setting specifies the number of logical unit numbers (LUNs) per device. Multiple LUN support is typically for redundant array of independent disks (RAID) enclosures that use LUNs to map drives. The default is 0.

Enable LIP reset

This setting determines the type of loop initialization process (LIP) reset that is used when the operating system initiates a bus reset routine. When this option is set to Yes, the device driver initiates a global LIP reset to clear the target device reservations. When this option is set to No, the device driver initiates a global LIP reset with full login. The default is No.

Enable LIP full logon

This setting instructs the internet service provider (ISP) chip to log into all ports after any LIP. The default is Yes.

Enable target reset

This setting enables the device drivers to issue a Target Reset command to all the devices on the loop when a SCSI Bus Reset command is issued. The default is Yes.

Login retry count

This setting specifies the number of times that the software tries to log into a device. The default is 30 retries.

Port down retry count

This setting specifies the number of times that the software retries a command to a port that is returning port-down status. The default is 30 retries.

IOCB allocation

This setting specifies the maximum number of buffers from the firmware buffer pool that are allocated to any one port. The default is 256 buffers.

Extended error logging

This setting provides additional error and debugging information to the

operating system. When this option is set to Enabled, events are logged into the Windows NT Event Viewer or the Windows 2000 Event Viewer, depending on the environment you are in. The default is Disabled.

Extended firmware settings

You can modify the extended firmware settings . The current default settings for the FASiT FC2-133 are listed in Table 13; these settings are described following the table.

Table 13. Extended firmware settings

Setting	Options	Default
RIO operation mode	0, 5	0
Connection options	0, 1, 2	2
Fibre channel tape support	Enabled or Disabled	Disabled
Interrupt delay timer	0 - 255	0
Data rate	0, 1, 2	2

RIO operation mode

This setting specifies the reduced interrupt operation (RIO) mode, if it is supported by the software device driver. The RIO mode enables you to post multiple command completions in a single interrupt (see Table 14). The default is 0.

Table 14. RIO options and operation modes

Option	Operation mode
0	No multiple responses
5	Multiple responses with minimal interrupts

Connection options

This setting defines the type of connection (loop or point-to-point) or the connection preference (see Table 15). The default is 2.

Table 15. Connection options

Option	Type of connection
0	Loop only
1	Point-to-point only
2	Loop preferred; otherwise, point-to-point

Fibre channel tape support

This setting is reserved for fibre-channel tape support. The default is Disabled.

Interrupt delay timer

This setting contains the value (in 100-microsecond increments) that is used by a timer to set the wait time between accessing a set of DMA requests and generating an interrupt using direct memory access (DMA). The default is 0.

Data rate

This setting determines the data rate (see Table 16 on page 20). The default setting is 2.

Table 16. Data rate options

Option	Data rate
0	1 Gbps
1	2 Gbps
2	Auto select

Scan fibre-channel devices

You can use the Scan Fibre Channel Devices option to scan the fibre-channel loop and list all the connected devices by loop ID. Information about each device is listed, for example, vendor name, product name, and revision. This information is useful when you are configuring your FAStT FC2-133 and attached devices.

Fibre-channel disk utility

Attention: When you perform a low-level format, it removes all data on the disk.

You can use the Fibre Channel Disk Utility option to scan the fibre-channel loop bus and list all the connected devices by loop ID. You can select a disk device and perform a low-level format or verify the disk media or data.

Loopback data test

You can use the Loopback Data Test option to verify the basic transmit and receive functions of the adapter. A fibre-channel loopback connector option must be installed into the optical interface connector on the FAStT FC2-133 before starting the test. See Figure 2 on page 2 for the location of the optical interface connector.

Select host adapter

You can use the Select Host Adapter option to select, configure, or view a specific adapter if you have multiple adapters in your system.

ExitFast!UTIL

After you complete the configuration, use the ExitFast!UTIL option to exit the menu and restart the system.

Chapter 4. Adapter operating environment and specifications

This chapter contains the FAStT FC2-133 operating environment and specification information.

Table 17 provides information about the operating environment for the FAStT FC2-133.

Table 17. FAStT FC2-133 operating environment

Environment	Minimum	Maximum
Operating temperature	0°C (32°F)	55°C (131°F)
Storage temperature	-20°C (-4°F)	70°C (158°F)
Relative humidity (noncondensing)	10%	90%
Storage humidity (noncondensing)	5%	95%

Table 18 provides the specifications for the FAStT FC2-133.

Table 18. FAStT FC2-133 specifications

Type	Specification
Host bus	Conforms to Intel PCI Local Bus Specification, revision 2.2 and the PCI-X Addendum, revision 1.0.
PCI or PCI-X signaling environment	3.3 V and 5.0 V buses supported
PCI or PCI-X transfer rate	<ul style="list-style-type: none"> Support for 32 bit and 64 bit PCI bus at 33 MHz and 66 MHz Support for 64 bit PCI-X bus at 50 MHz, 100 MHz, and 133 MHz PCI transfer rate 264 MBps maximum burst rate for 33 MHz operation (ISP2312 chip) Support for dual address bus cycles
Fibre-channel specifications	<ul style="list-style-type: none"> Fiber-optic media (shortwave multimode 50 micron cable) Bus transfer rate: 200 MBps maximum at half-duplex and 400 MBps maximum at full-duplex Interface chip: ISP2312 (PCI-X QLA23xx boards) Support for both FCP-SCSI and IP protocols Support for point-to-point fabric connection: F_port Fabric Login Support for FCAL public loop profile: FL_port Login Support for fibre-channel services class 2 and 3 Support for FCP SCSI initiator and target operation Support for full-duplex operation
Processor	Single-chip design that includes a RISC processor, fibre-channel protocol manager, PCI or PCI-X DMA controller, and integrated serializer/deserializer (SERDES) and electrical transceivers that can auto-negotiate a data rate of 2 Gbps.
Host data transfer	64-bit, bus-master DMA data transfers to 1056 MBps
RAM	256 KB of SRAM supporting parity protection

Table 18. FAStT FC2-133 specifications (continued)

Type	Specification
BIOS ROM	128 KB of flash ROM in two 64 KB, software selectable banks. The flash is field programmable.
NVRAM	256 bytes, field programmable
Onboard DMA	Five-channel DMA controller: two data, one command, one auto-DMA request, and one auto-DMA response
Frame buffer FIFO	Integrated 4 KB transmit and 6 KB receive frame buffer first-in, first-out (FIFO) for each data channel
Connectors (external)	<ul style="list-style-type: none"> • Two LC-style connectors that support non-OFC, multimode fiber-optic cabling using a small form factor (SFF) fiber-optic transceiver module. • Support 50/125 FC cable length up to 550 m (1804 ft.) when operating at 1 Gbps or up to 300 m (984 ft.) when operating at 2 Gbps.
Form factor	5.15 cm x 16.93 cm (2.5 in. x 6.7 in.)
Operating power	Less than 15 watts

Chapter 5. Troubleshooting

The following four types of installation problems might cause your FASTT FC2-133 to function incorrectly:

- Hardware problems
- Software problems
- System configuration problems
- Fibre channel problems

If you are having problems, use the following information to help you determine the cause of the problem and the action to take.

Note: See the *IBM TotalStorage FASTT Hardware Maintenance Manual and Problem Determination Guide* for additional troubleshooting and debugging procedures.

Hardware problems

To determine if your installation problem is caused by the hardware, perform the following tasks:

- Verify that all cables are attached securely to the correct connectors. Be sure that one end of the LC-LC fibre-channel cable is attached to the optical interface connectors (located at J1 and J2 on the adapter) and that the other end of the cable is connected to the fibre-channel device.
- Verify that the FASTT FC2-133 is installed correctly and is fully seated in the expansion slot. Check for interference due to nonstandard PCI connectors.
- Verify that the Fast!UTIL data-rate setting is correct. The Fast!UTIL data-rate setting must match the speed of the device to which you are connected. See “Extended firmware settings” on page 19.
- Verify that all peripheral devices are turned on. See “Scan fibre-channel devices” on page 20 for information about how to display the attached fibre-channel devices.

Software problems

To determine if your installation problem is caused by the software, perform the following tasks. These tasks are discussed in Chapter 2, “Updating the FASTT FC2-133 BIOS code and installing device drivers”, on page 9.

- Verify that the correct device driver is installed.
- Verify that your adapter is at the correct BIOS version.
- Verify that you have the correct adapter NVRAM settings for your Storage Area Network (SAN) and operating system.

System configuration problems

To determine if your installation problem is caused by the system configuration, check your server to ensure that it is configured properly. For more information, see “Configuration Settings menu options” on page 15.

Note: All PCI-compliant and PCI-X-compliant systems automatically detect 32-bit or 64-bit adapters and set the appropriate bus speed (for example, 66 MHz or 133 MHz).

If you still have a system configuration problem, see the documentation that comes with your server, or contact your IBM technical support representative to determine if your system board requires special configuration.

Fibre channel problems

To determine if your installation problem is caused by an attached fibre-channel device, perform the following tasks:

- Verify that all of the fibre-channel devices were turned on before you turned on the server.
- Ensure that all cables are connected properly.
- Verify that you configured your RAID storage subsystems using the utilities that were provided by the manufacturer.
- If your fibre-channel switch supports zoning, make sure that your peripheral device is configured to the same switch zone as the FAStT FC2-133. For more information, see your fibre-channel switch documentation.

Notices

This publication was developed for products and services offered in the U.S.A.

IBM may not offer the products, services, or features discussed in this document in other countries. Consult your local IBM representative for information on the products and services currently available in your area. Any reference to an IBM product, program, or service is not intended to state or imply that only that IBM product, program, or service may be used. Any functionally equivalent product, program, or service that does not infringe any IBM intellectual property right may be used instead. However, it is the user's responsibility to evaluate and verify the operation of any non-IBM product, program, or service.

IBM may have patents or pending patent applications covering subject matter described in this document. The furnishing of this document does not give you any license to these patents. You can send license inquiries, in writing, to:

*IBM Director of Licensing
IBM Corporation
North Castle Drive
Armonk, NY 10504-1785
U.S.A.*

INTERNATIONAL BUSINESS MACHINES CORPORATION PROVIDES THIS PUBLICATION "AS IS" WITHOUT WARRANTY OF ANY KIND, EITHER EXPRESS OR IMPLIED, INCLUDING, BUT NOT LIMITED TO, THE IMPLIED WARRANTIES OF NON-INFRINGEMENT, MERCHANTABILITY OR FITNESS FOR A PARTICULAR PURPOSE. Some jurisdictions do not allow disclaimer of express or implied warranties in certain transactions, therefore, this statement may not apply to you.

This information could include technical inaccuracies or typographical errors. Changes are periodically made to the information herein; these changes will be incorporated in new editions of the publication. IBM may make improvements and/or changes in the product(s) and/or the program(s) described in this publication at any time without notice.

Any references in this publication to non-IBM Web sites are provided for convenience only and do not in any manner serve as an endorsement of those Web sites. The materials at those Web sites are not part of the materials for this IBM product, and use of those Web sites is at your own risk.

IBM may use or distribute any of the information you supply in any way it believes appropriate without incurring any obligation to you.

Trademarks

The following terms are trademarks of International Business Machines Corporation in the United States, other countries, or both:

IBM
e(logo) server
Intellistation
Netfinity
ServerProven
TotalStorage
xSeries

Microsoft, Windows, and Windows NT are trademarks of Microsoft Corporation in the United States, other countries, or both.

Intel is a trademark of Intel Corporation in the United States, other countries, or both.

Other company, product, or service names may be the trademarks or service marks of others.

Important notes

Processor speeds indicate the internal clock speed of the microprocessor; other factors also affect application performance.

CD-ROM drive speeds list the variable read rate. Actual speeds vary and are often less than the maximum possible.

When referring to processor storage, real and virtual storage, or channel volume, KB stands for approximately 1024 bytes, MB stands for approximately 1 000 000 bytes, and GB stands for approximately 1 000 000 000 bytes.

When referring to hard disk drive capacity or communications volume, MB stands for 1 000 000 bytes, and GB stands for 1 000 000 000 bytes. Total user-accessible capacity may vary depending on operating environments.

Maximum internal hard disk drive capacities assume the replacement of any standard hard disk drives and population of all hard disk drive bays with the largest currently supported drives available from IBM.

Maximum memory may require replacement of the standard memory with an optional memory module.

IBM makes no representation or warranties regarding non-IBM products and services that are ServerProven[®], including but not limited to the implied warranties of merchantability and fitness for a particular purpose. These products are offered and warranted solely by third parties.

IBM makes no representations or warranties with respect to non-IBM products. Support (if any) for the non-IBM products is provided by the third party, not IBM.

Some software may differ from its retail version (if available), and may not include user manuals or all program functionality.

Electronic emission notices

Class B statements

This device has been tested to the FCC limits and found compliant to the Class B limits when installed in a host system found compliant to the Class B limits.

Federal Communications Commission (FCC) statement

IBM TotalStorage FAS[™]T FC2-133 Dual Port Host Bus Adapter

Note: This equipment has been tested and found to comply with the limits for a Class B digital device, pursuant to Part 15 of the FCC Rules. These limits are designed to provide reasonable protection against harmful interference in a


residential installation. This equipment generates, uses, and can radiate radio frequency energy and, if not installed and used in accordance with the instructions, may cause harmful interference to radio communications. However, there is no guarantee that interference will not occur in a particular installation. If this equipment does cause harmful interference to radio or television reception, which can be determined by turning the equipment off and on, the user is encouraged to try to correct the interference by one or more of the following measures:

- Reorient or relocate the receiving antenna.
- Increase the separation between the equipment and receiver.
- Connect the equipment into an outlet on a circuit different from that to which the receiver is connected.
- Consult an IBM authorized dealer or service representative for help.

Properly shielded and grounded cables and connectors must be used in order to meet FCC emission limits. Proper cables and connectors are available from IBM authorized dealers. IBM is not responsible for any radio or television interference caused by using other than recommended cables and connectors or by unauthorized changes or modifications to this equipment. Unauthorized changes or modifications could void the user's authority to operate the equipment.

This device complies with Part 15 of the FCC Rules. Operation is subject to the following two conditions: (1) this device may not cause harmful interference, and (2) this device must accept any interference received, including interference that may cause undesired operation.

Responsible party:
International Business Machines
Corporation
New Orchard Road
Armonk, NY 10504
Telephone: 1-919-543-2193

 Tested To Comply
With FCC Standards
FOR HOME OR OFFICE USE

Industry Canada Class B emission compliance statement

This Class B digital apparatus complies with Canadian ICES-003.

Avis de conformité à la réglementation d'Industrie Canada

Cet appareil numérique de la classe B est conforme à la norme NMB-003 du Canada.

Japanese electromagnetic interference (EMI) statement

この装置は、情報処理装置等電波障害自主規制協議会（VCCI）の基準に基づくクラスB情報技術装置です。この装置は、家庭環境で使用することを目的としていますが、この装置がラジオやテレビジョン受信機に近接して使用されると、受信障害を引き起こすことがあります。
取扱説明書に従って正しい取り扱いをして下さい。

Class A statements

This device has been tested to the FCC limits and found compliant to the Class B limits. However, when this device is installed in a host system that complies with the Class A limits, the FCC compliance will be defined by the host system. Refer to the documentation that comes with the host system for the appropriate FCC emission statement.

Federal Communications Commission (FCC) statement

Note: This equipment has been tested and found to comply with the limits for a Class A digital device, pursuant to Part 15 of the FCC Rules. These limits are designed to provide reasonable protection against harmful interference when the equipment is operated in a commercial environment. This equipment generates, uses, and can radiate radio frequency energy and, if not installed and used in accordance with the instruction manual, may cause harmful interference to radio communications. Operation of this equipment in a residential area is likely to cause harmful interference, in which case the user will be required to correct the interference at his own expense.

Properly shielded and grounded cables and connectors must be used in order to meet FCC emission limits. Properly shielded and grounded cables and connectors must be used in order to meet FCC emission limits. IBM is not responsible for any radio or television interference caused by using other than recommended cables and connectors or by using other than recommended cables and connectors or by unauthorized changes or modifications to this equipment. Unauthorized changes or modifications could void the user's authority to operate the equipment.

This device complies with Part 15 of the FCC Rules. Operation is subject to the following two conditions: (1) this device may not cause harmful interference, and (2) this device must accept any interference received, including interference that may cause undesired operation.

Industry Canada Class A emission compliance statement

This Class A digital apparatus complies with Canadian ICES-003.

Avis de conformité à la réglementation d'Industrie Canada

Cet appareil numérique de la classe A est conforme à la norme NMB-003 du Canada.

Australia and New Zealand Class A statement

Attention: This is a Class A product. In a domestic environment this product may cause radio interference in which case the user may be required to take adequate measures.

United Kingdom telecommunications safety requirement

Notice to Customers

This apparatus is approved under approval number NS/G/1234/J/100003 for indirect connection to public telecommunication systems in the United Kingdom.

European Union EMC Directive conformance statement

This product is in conformity with the protection requirements of EU Council Directive 89/336/EEC on the approximation of the laws of the Member States relating to electromagnetic compatibility. IBM cannot accept responsibility for any failure to satisfy the protection requirements resulting from a nonrecommended modification of the product, including the fitting of non-IBM option cards.

This product has been tested and found to comply with the limits for Class A Information Technology Equipment according to CISPR 22/European Standard EN 55022. The limits for Class A equipment were derived for commercial and industrial environments to provide reasonable protection against interference with licensed communication equipment.

Attention: This is a Class A product. In a domestic environment this product may cause radio interference in which case the user may be required to take adequate measures.

Taiwan electrical emission statement

警告使用者：
這是甲類的資訊產品，在居住的環境中使用時，可能會造成射頻干擾，在這種情況下，使用者會被要求採取某些適當的對策。

Japanese Voluntary Control Council for Interference (VCCI) statement

この装置は、情報処理装置等電波障害自主規制協議会（VCCI）の基準に基づくクラスA情報技術装置です。この装置を家庭環境で使用すると電波妨害を引き起こすことがあります。この場合には使用者が適切な対策を講ずるよう要求されることがあります。

Glossary

This glossary provides definitions for the terminology used for the IBM TotalStorage FAStT. This glossary also provides definitions for the terminology used for the IBM TotalStorage FAStT Storage Manager.

This glossary defines technical terms and abbreviations used in this document. If you do not find the term you are looking for, see the *IBM Glossary of Computing Terms* located at: www.ibm.com/networking/nsg/nsgmain.htm

This glossary also includes terms and definitions from:

- *Information Technology Vocabulary* by Subcommittee 1, Joint Technical Committee 1, of the International Organization for Standardization and the International Electrotechnical Commission (ISO/IEC JTC1/SC1). Definitions are identified by the symbol (I) after the definition; definitions taken from draft international standards, committee drafts, and working papers by ISO/IEC JTC1/SC1 are identified by the symbol (T) after the definition, indicating that final agreement has not yet been reached among the participating National Bodies of SC1.
- *IBM Glossary of Computing Terms*. New York: McGraw-Hill, 1994.

The following cross-reference conventions are used in this glossary:

See Refers you to (a) a term that is the expanded form of an abbreviation or acronym, or (b) a synonym or more preferred term.

See also

Refers you to a related term.

Abstract Windowing Toolkit (AWT). A Java graphical user interface (GUI).

accelerated graphics port (AGP). A bus specification that gives low-cost 3D graphics cards faster access to main memory on personal computers than the usual PCI bus. AGP reduces the overall cost of creating high-end graphics subsystems by using existing system memory.

access volume. A special logical drive that allows the host-agent to communicate with the controllers in the storage subsystem.

adapter. A printed circuit assembly that transmits user data (I/Os) between the internal bus of the host system and the external fibre channel link and vice versa. Also called an I/O adapter, host adapter, or FC adapter.

advanced technology (AT) bus architecture. A bus standard for IBM compatibles. It extends the XT bus architecture to 16 bits and also allows for bus mastering, although only the first 16 MB of main memory are available for direct access.

agent. A server program that receives virtual connections from the network manager (the client program) in an SNMP-TCP/IP network-managing environment.

AGP. See *accelerated graphics port*.

AL_PA. See *arbitrated loop physical address*.

arbitrated loop. A shared 100 Mbps fibre channel transport structured as a loop and supporting up to 126 devices and one fabric attachment. A port must successfully arbitrate before a circuit can be established.

arbitrated loop physical address (AL_PA). One of three existing fibre channel topologies, in which two to 126 ports are interconnected serially in a single loop circuit. Access to the FC-AL is controlled by an arbitration scheme. The FC-AL topology supports all classes of service and guarantees in-order delivery of FC frames when the originator and responder are on the same FC-AL. The default topology for the disk array is arbitrated loop. An arbitrated loop is sometimes referred to as Stealth Mode.

auto volume transfer/auto disk transfer (AVT/ADT). A function that provides automatic failover in case of controller failure on a storage subsystem.

AVT/ADT. See *auto volume transfer/auto disk transfer*.

AWT. See *Abstract Windowing Toolkit*.

basic input/output system (BIOS). Code that controls basic hardware operations, such as interactions with diskette drives, hard disk drives, and the keyboard.

BIOS. See *basic input/output system*.

BOOTP. See *bootstrap protocol*.

bootstrap protocol (BOOTP). A Transmission Control Protocol/Internet Protocol (TCP/IP) protocol that a diskless workstation or network computer use to obtain its IP address and other network information such as server address and default gateway.

bridge. A SAN device that provides physical and transport conversion, such as fibre channel to SCSI bridge.

bridge group. A bridge and the collection of devices connected to it. Bridge Groups are discovered by the SANavigator tool and displayed with a gray background on the Physical and Data Path Maps.

broadcast. A method of sending an SNMP request for information to all the devices on a subnet that use a single special request. Because of its efficiency, the SANavigator tool sets its default method of discovery to broadcast. However, a network administrator might disable this method on the network router.

cathode ray tube (CRT). An electrical device for displaying images by exciting phosphor dots with a scanned electron beam. CRTs are found in computer VDUs and monitors, televisions, and oscilloscopes.

CDPD. See *cellular digital packet data*.

cellular digital packet data (CDPD). A wireless standard that provides two-way, 19.2 kbps packet data transmission over existing cellular telephone channels.

CGA. See *color graphics adapter*.

client. A computer system or process that requests a service of another computer system or process that is typically referred to as a server. Multiple clients can share access to a common server.

color graphics adapter (CGA). An early, now obsolete, IBM video display standard for use on IBM PCs. CGA displays 80 x 25 or 40 x 25 text in 16 colors, 640 x 200 pixel graphics in two colors or 320 x 200 pixel graphics in four colors.

command. Any selection on a dialog box or elsewhere in the user interface that causes the SANavigator tool to perform a task.

community strings. The name of a community contained in each SNMP message. SNMP has no standard mechanisms for verifying that a message was sent by a member of the community, keeping the contents of a message private, or for determining if a message has been changed or replayed.

CRC. See *cyclic redundancy check*.

CRT. See *cathode ray tube*.

cyclic redundancy check (CRC). (1) 1) A redundancy check in which the check key is generated by a cyclic algorithm. (2) 2) An error detection technique performed at both the sending and receiving stations.

dac. See *disk array controller*.

dar. See *disk array router*.

DASD. See *Direct-Access Storage Device*.

device type. Identifier used to place devices in the physical map, such as the switch, hub, storage.

direct access storage device (DASD). IBM mainframe terminology for a data storage device by which information can be accessed directly, instead of by-passing sequentially through all storage areas. For example, a disk drive is a DASD, in contrast with a tape drive, which stores data as a linear sequence.

direct memory access (DMA). The transfer of data between memory and an input/output (I/O) device without processor intervention.

disk array controller (dac). A disk array controller device that represents the two controllers of an array. See also *disk array controller*.

disk array router (dar). A disk array router that represents an entire array, including current and deferred paths to all logical unit numbers (LUNs) (hdisks on AIX). See also *disk array controller*.

DMA. See *direct memory access*.

domain. The most significant byte in the N_Port Identifier for the FC device. It is not used in the FC-SCSI hardware path ID. It is required to be the same for all SCSI targets logically connected to an FC adapter.

DRAM. See *dynamic random access memory*.

dynamic random access memory (DRAM). A storage in which the cells require repetitive application of control signals to retain stored data.

E_Port. An expansion port that connects the switches for two fabrics (also used for McData ES-1000 B ports).

ECC. See *error correction coding*.

EEPROM. See *Electrically Erasable Programmable Read-Only Memory*.

EGA. See *enhanced graphics adapter*.

electrically eErasable programmable read-only memory (EEPROM). A type of non-volatile storage device that can be erased with an electrical signal. Writing to EEPROM takes much longer than reading. It also can only be reprogrammed a limited number of times before it wears out. Therefore, it is appropriate for storing small amounts of data that are changed infrequently.

electrostatic discharge (ESD). The flow of current that results when objects that have a static charge come into close enough proximity to discharge.

enhanced graphics adapter (EGA). An IBM video display standard that provides text and graphics with a

resolution of 640 x 350 pixels of 16 colors. It emulates the Color/Graphics Adapter (CGA) and the Monochrome Display Adapter (MDA) and was superseded by the Video Graphics Display (VGA).

enhanced small disk interface (ESDI). A hard disk controller standard that allows disks to communicate with computers at high speeds. ESDI drives typically transfer data at about 10 megabits per second, although they are capable of doubling that speed.

error correction coding (ECC). A method for encoding data so that transmission errors can be detected and corrected by examination of the data on the receiving end. Most ECCs are characterized by the maximum number of errors they can detect and correct.

error detection coding. A method for encoding data so that errors that occur during storage or transmission can be detected. Most error detection codes are characterized by the maximum number of errors they can detect. The simplest form of error detection is by using a single added parity bit or a cyclic redundancy check. Adding multiple parity bits can detect not only that an error has occurred, but also which bits have been inverted, thereby indicating which bits should be re-inverted to restore the original data.

ESD. See *electrostatic discharge*.

ESDI. See *enhanced small disk interface*.

eXtended graphics array (XGA). An IBM advanced standard for graphics controller and display mode design introduced in 1990. XGA, used mostly on workstation-level systems, supports a resolution of 1024 x 768 pixels with a palette of 256 colors, or 640 x 480 with high color (16 bits per pixel). XGA-2 added 1024 x 768 support for high color and higher refresh rates, improved performance, and supports 1360 x 1024 in 16 colors.

F_Port. A port that supports an N_Port on a fibre channel switch.

fabric group. A collection of interconnected SAN devices discovered by the SANavigator tool and displayed with a blue background on the Physical and Data Path Maps.

fibre channel. A bi-directional, full-duplex, point-to-point, serial data channel structured for high performance capability. Physically, fibre channel interconnects devices, such as host systems and servers, FC hubs and disk arrays, through ports, called N_Ports, in one of three topologies: a point-to-point link, an arbitrated loop, or a cross point switched network, which is called a fabric. FC can interconnect two devices in a point-to-point topology, from two to 126 devices in an arbitrated loop. FC is a generalized transport mechanism that can transport any existing protocol, such as SCSI, in FC frames.

Fibre Channel Protocol for SCSI (FCP). A high-level fibre channel mapping layer (FC-4) that uses lower-level fibre channel (FC-PH) services to transmit SCSI command, data, and status information between a SCSI initiator and a SCSI target across the FC link by using FC frame and sequence formats.

field replaceable unit (FRU). An assembly that is replaced in its entirety when any one of its components fails. In some cases, a FRU might contain other field replaceable units.

FRU. See *field replaceable unit*.

general purpose interface bus (GPIB). An 8-bit parallel bus developed for the exchange of information between computers and industrial automation equipment.

GPIB. See *general purpose interface bus*.

graphical user interface (GUI). A type of computer interface that presents a visual metaphor of a real-world scene, often of a desktop, by combining high-resolution graphics, pointing devices, menu bars and other menus, overlapping windows, icons, and the object-action relationship.

GUI. See *graphical user interface*.

HBA. See *host bus adapter*.

hdisk. An AIX term representing a logical unit number (LUN) on an array.

host. A system that is directly attached to the storage subsystem through a fibre-channel I/O path. This system is used to serve data (typically in the form of files) from the storage subsystem. A system can be both a storage management station and a host simultaneously.

host bus adapter (HBA). An interface between the fibre channel network and a workstation or server.

host computer. See *host*.

host group. The collection of HBAs and NASs in a fabric discovered by the SANavigator tool and displayed with a yellow background on the Physical and Data Path Maps.

hub. In a network, a point at which circuits are either connected or switched. For example, in a star network, the hub is the central node; in a star/ring network, it is the location of wiring concentrators.

IC. See *integrated circuit*.

IDE. See *integrated drive electronics*.

In-band. Transmission of management protocol over the fibre channel transport.

Industry Standard Architecture (ISA). A bus standard for IBM compatibles that allows components to be added as cards plugged into standard expansion slots. ISA was originally introduced in the IBM PC/XT with an 8-bit data path. It was later expanded to permit a 16-bit data path when IBM introduced the PC/AT.

initial program load (IPL). The part of the boot sequence during which a computer system copies the operating system kernel into main memory and runs it.

integrated circuit (IC). Also known as a *chip*. A microelectronic semiconductor device that consists of many interconnected transistors and other components. ICs are constructed on a small rectangle cut from a silicon crystal or other semiconductor material. The small size of these circuits allows high speed, low power dissipation, and reduced manufacturing cost compared with board-level integration.

integrated drive electronics (IDE). Also known as an Advanced Technology Attachment Interface (ATA). A disk drive interface based on the 16-bit IBM PC ISA in which the controller electronics reside on the drive itself, eliminating the need for a separate adapter card.

integrated services digital network (ISDN). A digital end-to-end telecommunication network that supports multiple services including, but not limited to, voice and data. ISDNs are used in public and private network architectures.

interrupt request (IRQ). A type of input found on many processors that causes the processor to suspend normal instruction execution temporarily and start executing an interrupt handler routine. Some processors have several interrupt request inputs that allow different priority interrupts.

Internet Protocol address. The unique 32-bit address that specifies the location of each device or workstation on the Internet. For example, 9.67.97.103 is an IP address.

IP address. See *Internet Protocol address*.

IPL. See *initial program Load*.

IRQ. See *interrupt request*.

ISA. See *Industry Standard Architecture*.

ISDN. See *Integrated Services Digital Network*.

isolated group. A collection of isolated devices not connected to the SAN but discovered by the SANavigator tool. The Isolated Group displays with a gray background near the bottom of the Physical and Data Path Maps.

Java Runtime Environment (JRE). A subset of the Java Development Kit (JDK) for end users and developers who want to redistribute the Java Runtime

Environment (JRE). The JRE consists of the Java virtual machine, the Java Core Classes, and supporting files.

JRE. See *Java Runtime Environment*.

label. A discovered or user entered property value that is displayed underneath each device in the Physical and Data Path Maps.

LAN. See *local area network*.

LBA. See *logical block addressing*.

local area network (LAN). A computer network located on a user's premises within a limited geographic area.

logical block addressing (LBA). A hard disk sector addressing scheme in which the addressing conversion is performed by the hard disk firmware. LBA is used on all SCSI hard disks and on ATA-2 conforming IDE hard disks.

logical unit number (LUN). An identifier used on a small computer systems interface (SCSI) bus to distinguish among up to eight devices (logical units) with the same SCSI ID.

loop address. The unique ID of a node in fibre channel loop topology sometimes referred to as a Loop ID.

loop group. A collection of SAN devices that are interconnected serially in a single loop circuit. Loop Groups are discovered by the SANavigator tool and displayed with a gray background on the Physical and Data Path Maps.

loop port (FL_Port). An N_Port or F_Port that supports arbitrated loop functions associated with an arbitrated loop topology.

LUN. See *logical unit number*.

man pages. In UNIX-based operating systems, online documentation for operating-system commands, subroutines, system calls, file formats, special files, stand-alone utilities, and miscellaneous facilities. Invoked by the **man** command.

management information base (MIB). The information that is on an agent. It is an abstraction of configuration and status information.

MCA. See *micro channel architecture*.

MIB. See *management information base*.

micro channel architecture (MCA). IBM's proprietary bus that is used in high-end PS/2 personal computers. Micro Channel is designed for multiprocessing and functions as either a 16-bit or 32-bit bus. It eliminates potential conflicts that arise when installing new peripheral devices.

MIDI. See *musical instrument digital interface*.

model. The model identification assigned to a device by its manufacturer.

musical instrument digital interface (MIDI). A protocol that allows a synthesizer to send signals to another synthesizer or to a computer, or a computer to a musical instrument, or a computer to another computer.

NDIS. See *network device interface specification*.

network device interface specification (NDIS). An application programming interface (API) definition that allows DOS or OS/2 systems to support one or more network adapters and protocol stacks. NDIS is a 16-bit, Ring O (for the OS/2 operating system) API that defines a specific way for writing drivers for layers 1 and 2 of the OSI model. NDIS also handles the configuration and binding of these network drivers to multiple protocol stacks.

network management station (NMS). In the Simple Network Management Protocol (SNMP), a station that executes management application programs that monitor and control network elements.

NMI. See *non-maskable interrupt*.

NMS. See *network management station*.

non-maskable interrupt (NMI). A hardware interrupt that another service request cannot overrule (mask). An NMI bypasses and takes priority over interrupt requests generated by software, the keyboard, and other such devices and is issued to the microprocessor only in disastrous circumstances, such as severe memory errors or impending power failures.

N_Port. A node port. A fibre channel-defined hardware entity that performs data communications over the fibre channel link. It is identifiable by a unique Worldwide Name. It can act as an originator or a responder.

node. A physical device that allows for the transmission of data within a network.

nonvolatile storage (NVS). A storage device whose contents are not lost when power is cut off.

NVS. See *nonvolatile storage*.

NVSRAM. Nonvolatile storage random access memory. See *nonvolatile storage*.

Object Data Manager (ODM). An AIX proprietary storage mechanism for ASCII stanza files that are edited as part of configuring a drive into the kernel.

ODM. See *Object Data Manager*.

out-of-band. Transmission of management protocols outside of the fibre channel network, typically over Ethernet.

PCI local bus. See *peripheral component interconnect local bus*.

PDF. See *portable document format*.

peripheral component interconnect local bus (PCI local bus). A standard that Intel Corporation introduced for connecting peripherals. The PCI local bus allows up to 10 PCI-compliant expansion cards to be installed in a computer at a time. Technically, PCI is not a bus but a bridge or mezzanine. It runs at 20 - 33 MHz and carries 32 bits at a time over a 124-pin connector or 64 bits over a 188-pin connector. A PCI controller card must be installed in one of the PCI-compliant slots. The PCI local bus is processor independent and includes buffers to decouple the CPU from relatively slow peripherals, allowing them to operate asynchronously. It also allows for multiplexing, a technique that permits more than one electrical signal to be present on the PCI local bus at a time.

performance events. Events related to thresholds set on SAN performance.

polling delay. The time in seconds between successive discovery processes during which Discovery is inactive.

port. The hardware entity that connects a device to a fibre channel topology. A device can contain one or more ports.

portable document format (PDF). A standard specified by Adobe Systems, Incorporated, for the electronic distribution of documents. PDF files are compact; can be distributed globally by e-mail, the Web, intranets, or CD-ROM; and can be viewed with the Acrobat Reader, which is software from Adobe Systems that can be downloaded at no cost from the Adobe Systems home page.

private loop. A freestanding Arbitrated Loop with no fabric attachment.

program temporary fix (PTF). A temporary solution or bypass of a problem diagnosed by IBM in a current unaltered release of the program.

PTF. See *program temporary fix*.

RAM. See *random-access memory*.

random-access memory (RAM). A temporary storage location in which the central processing unit (CPU) stores and executes its processes.

read-only memory (ROM). Memory in which the user cannot change stored data except under special conditions.

RDAC. See *redundant dual active controller*.

redundant dual active controller (RDAC). A controller, used with AIX and Solaris hosts, that provides a multipath driver for a storage subsystem. An RDAC is also known as redundant disk array controller.

red, green, blue (RGB). (1) Color coding in which the brightness of the additive primary colors of light, red, green, and blue are specified as three distinct values of white light. (2) Pertaining to a color display that accepts signals that represent red, green, and blue.

RGB. See *red, green, blue*.

ROM. See *read-only memory*.

router. A computer that determines the path of network traffic flow. The path selection is made from several paths based on information obtained from specific protocols, algorithms that attempt to identify the shortest or best path, and other criteria such as metrics or protocol-specific destination addresses.

SAN. See *storage area network*.

SCSI. See *small computer system interface*.

segmented loop ports (SL_Ports). SL_Ports allow you to divide a Fibre Channel Private Loop into multiple segments. Each segment can pass frames around as an independent loop and can connect through the fabric to other segments of the same loop.

serial storage architecture (SSA). An interface specification from IBM in which devices are arranged in a ring topology. SSA, which is compatible with SCSI devices, allows full-duplex packet multiplexed serial data transfers at rates of 20Mb/sec in each direction.

server. A functional hardware and software unit that delivers shared resources to workstation client units on a computer network.

server/device events. Events that occur on the server or a designated device that meet criteria that the user sets.

Simple Network Management Protocol (SNMP). In the Internet suite of protocols, a network management protocol that is used to monitor routers and attached networks. SNMP is an application layer protocol. Information on devices managed is defined and stored in the application's Management Information Base (MIB).

SL_Port. See *segmented loop ports*.

small computer system interface (SCSI). A standard hardware interface that enables a variety of peripheral devices to communicate with one another.

SNMP. See *Simple Network Management Protocol*.

SNMPv1. The original standard for SNMP is now referred to as SNMPv1, as opposed to SNMPv2, a revision of SNMP. See also *Simple Network Management Protocol*.

SNMP time-out. The maximum amount of time the SANavigator tool will wait for a device to respond to a request. The specified time applies to one retry only.

SNMP trap events. SNMP is based on a manager/agent model. SNMP includes a limited set of management commands and responses. The management system issues messages that tell an agent to retrieve various object variables. The managed agent sends a Response message to the management system. That message is an event notification, called a trap, that identifies conditions, such as thresholds, that exceed a predetermined value.

SRAM. See *static random access memory*.

SSA. See *serial storage architecture*.

static random access memory (SRAM). Random access memory based on the logic circuit known as flip-flop. It is called *static* because it retains a value as long as power is supplied, unlike dynamic random access memory (DRAM), which must be regularly refreshed. It is however, still volatile, meaning that it can lose its contents when the power is switched off.

storage area network (SAN). A network that links servers or workstations to disk arrays, tape backup subsystems, and other devices, typically over fibre channel.

storage management station. A system that is used to manage the storage subsystem. A storage management station does not need to be attached to the storage subsystem through the fibre-channel I/O path.

subnet. An interconnected but independent segment of a network that is identified by its Internet Protocol (IP) address.

super video graphics array (SVGA). A video display standard that Video Electronics Standards Association (VESA) created to provide high resolution color display on IBM PC compatible personal computers. The resolution is 800 x 600 4-bit pixels. Each pixel can therefore be one of 16 colors.

SVGA. See *super video graphics array*.

sweep method. A method of sending SNMP requests for information to all the devices on a subnet by sending the request to every device on the network. Sweeping an entire network can take a half an hour or more. If broadcast is disabled, the recommended method is to enter the individual IP addresses of the SAN devices into the SANavigator tool. This method produces good results without unnecessarily using time to wait for

responses from every IP address in the subnet, especially for IP addresses where no devices are present. There might, however, be times when a full subnet sweep will produce valuable diagnostic information about the network or a device's configuration.

switch. A fibre channel device that provides full bandwidth per port and high-speed routing of data by using link-level addressing.

switch group. A switch and the collection of devices connected to it that are not in other groups. Switch Groups are discovered by the SANavigator tool and displayed with a gray background on the Physical and Data Path Maps.

system name. Device name assigned by the vendor's third-party software.

TCP. See *Transmission Control Protocol*.

TCP/IP. See *Transmission Control Protocol/Internet Protocol*.

terminate and stay resident program (TSR program). A program that installs part of itself as an extension of DOS when it is executed.

TFT. See *thin-film transistor*.

thin-film transistor (TFT). A transistor created by using thin film methodology.

topology. The physical or logical arrangement of devices on a network. The three fibre channel topologies are fabric, arbitrated loop, and point-to-point. The default topology for the disk array is arbitrated loop.

TL_Ports. See *translated loop port*.

translated loop ports (TL_Ports). Each TL_Port connects to a private loop and allows connectivity between the private loop devices and *off loop* devices (devices not connected to that particular TL_Port).

Transmission Control Protocol (TCP). A communication protocol used in the Internet and in any network that follows the Internet Engineering Task Force (IETF) standards for internetwork protocol. TCP provides a reliable host-to-host protocol between hosts in packed-switched communication networks and in interconnected systems of such networks. It uses the Internet Protocol (IP) as the underlying protocol.

Transmission Control Protocol/Internet Protocol (TCP/IP). A set of communication protocols that provide peer-to-peer connectivity functions for both local and wide-area networks.

trap. In the Simple Network Management Protocol (SNMP), a message sent by a managed node (agent function) to a management station to report an exception condition.

trap recipient. Receiver of a forwarded SNMP trap. Specifically, a trap receiver is defined by an IP address and port to which traps are sent. Presumably, the actual recipient is a software application running at the IP address and listening to the port.

TSR program. See *terminate and stay resident program*.

user action events. Actions that the user takes, such as changes in the SAN, changed settings, and so on. Each such action is considered a User Action Event.

vendor. Property value that the SANavigator tool uses to launch third-party software. Vendor property might be discovered but will always remain editable.

VGA. See *video graphics adapter*.

video graphics adapter (VGA). A computer adapter that provides high-resolution graphics and a total of 256 colors.

video random access memory (VRAM). A special type of dynamic RAM (DRAM) used in high-speed video applications, designed for storing the image to be displayed on a computer's monitor.

VRAM. See *video random access memory*.

WORM. See *write-once read-many*.

Worldwide Name (WWN). A registered, unique 64-bit identifier assigned to nodes and ports.

write-once read-many (WORM). Any type of storage medium to which data can be written only a single time, but can be read from any number of times. After the data is recorded, it cannot be altered. Typically the storage medium is an optical disk whose surface is permanently etched by using a laser in order to record information. WORM media are high-capacity storage devices and have a significantly longer shelf life than magnetic media.

WWN. See *worldwide name*.

XGA. See *eXtended graphics array*.

zoning. A function that allows segmentation of nodes by address, name, or physical port and is provided by fabric switches or hubs.

Index

A

- about this document xv
- adapter
 - activity indicators 2
 - features 1
 - fibre-channel ports 9
 - installing 5
 - overview 1
 - preinstallation procedures 3
 - specifications 21
 - storage temperature 21
- adapter default settings
 - >4GByte addressing 17
 - enable LIP full login 18
 - enable LIP reset 18
 - enable target reset 18
 - execution throttle 17
 - extended error logging 18
 - IOCB allocation 18
 - login retry count 18
 - LUNs per target 17, 18
 - port down retry count 18

B

- BIOS code updates 9
- brackets
 - installation 5
 - removal 5

C

- cables
 - attaching 5
 - connecting the LC-LC 6
 - routing 5
- comments, how to send xxv

D

- device drivers 14
- devices, handling static-sensitive 4
- documentation
 - FASTT related xxii
 - FASTT Storage Manager xvi
 - FASTT200 xxi
 - FASTT500 xx
 - FASTT600 xix
 - FASTT700 xviii
 - FASTT900 xvii

E

- electrical safety xi
- ESD-sensitive devices, handling xii

- extended firmware settings
 - connection options 19
 - data rate 19
 - fibre channel tape support 19
 - interrupt delay timer 19
 - RIO operation mode 19

F

- Fast!UTIL options
 - restore default settings 17, 19, 20
- Fast!UTIL settings
 - host adapter settings 15
 - selectable boot settings 17
 - using 15
- Fast!UTIL, starting 15
- FASTT installation process overview xv
- FASTT related documents xxii
- FASTT Storage Manager Version 8.3 library xvi
- FASTT200 Fibre Channel Storage Server library xxi
- FASTT500 Fibre Channel Storage Server library xx
- FASTT600 Fibre Channel Storage Server library xix
- FASTT700 Fibre Channel Storage Server library xviii
- FASTT900 Fibre Channel Storage Server library xvii
- fibre channel problems 24
- fibre channel, overview 1
- form factor 22

G

- grounding requirements x

H

- hardware problems 23
- hardware service and support xxiv
- host adapter settings
 - adapter port name 17
 - adapter serial number 17
 - BIOS address 16
 - frame size 15
 - hard loop ID 15
 - host adapter BIOS 15
 - interrupt level 17
 - loop reset delay 15
 - revision 16
 - spin up delay 15

I

- installing
 - adapter device drivers 14
 - FASTT FC2-133 Adapter 5

L

LC-LC fibre channel cable 5
LC-SC fibre channel cable 5

N

notes, important 26
notices
 FCC statement 26
notices used in this document xxii

O

operating environment 21

P

PCI bus slot
 master 6
 subordinate 6
PCI or PCI-X
 signaling 21
 transfer rate 21

R

restore default settings 17

S

safety information x
safety inspection procedure xiii
selectable boot settings 17
software problems 23
software service and support xxiv
specifications, adapter 21, 22
static-sensitive devices, handling 4
system configuration problems 23

T

trademarks 25
troubleshooting
 fibre channel 24
 hardware 23
 installation problems 23
 system configuration 23

W

web sites, related xxiii

Readers' Comments — We'd Like to Hear from You

IBM TotalStorage FAStT FC2-133
Dual Port Host Bus Adapter
Installation and User's Guide

Publication No. GC26-7532-01

Overall, how satisfied are you with the information in this book?

	Very Satisfied	Satisfied	Neutral	Dissatisfied	Very Dissatisfied
Overall satisfaction	<input type="checkbox"/>	<input type="checkbox"/>	<input type="checkbox"/>	<input type="checkbox"/>	<input type="checkbox"/>

How satisfied are you that the information in this book is:

	Very Satisfied	Satisfied	Neutral	Dissatisfied	Very Dissatisfied
Accurate	<input type="checkbox"/>	<input type="checkbox"/>	<input type="checkbox"/>	<input type="checkbox"/>	<input type="checkbox"/>
Complete	<input type="checkbox"/>	<input type="checkbox"/>	<input type="checkbox"/>	<input type="checkbox"/>	<input type="checkbox"/>
Easy to find	<input type="checkbox"/>	<input type="checkbox"/>	<input type="checkbox"/>	<input type="checkbox"/>	<input type="checkbox"/>
Easy to understand	<input type="checkbox"/>	<input type="checkbox"/>	<input type="checkbox"/>	<input type="checkbox"/>	<input type="checkbox"/>
Well organized	<input type="checkbox"/>	<input type="checkbox"/>	<input type="checkbox"/>	<input type="checkbox"/>	<input type="checkbox"/>
Applicable to your tasks	<input type="checkbox"/>	<input type="checkbox"/>	<input type="checkbox"/>	<input type="checkbox"/>	<input type="checkbox"/>

Please tell us how we can improve this book:

Thank you for your responses. May we contact you? Yes No

When you send comments to IBM, you grant IBM a nonexclusive right to use or distribute your comments in any way it believes appropriate without incurring any obligation to you.

Name

Address

Company or Organization

Phone No.



Fold and Tape

Please do not staple

Fold and Tape



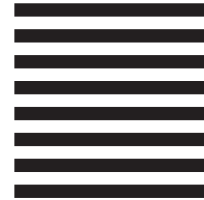
NO POSTAGE
NECESSARY
IF MAILED IN THE
UNITED STATES

BUSINESS REPLY MAIL

FIRST-CLASS MAIL PERMIT NO. 40 ARMONK, NEW YORK

POSTAGE WILL BE PAID BY ADDRESSEE

IBM Corporation
RCF Processing Department
Dept. M86/Bldg.050-3
5600 Cottle Road
San Jose, CA
U.S.A. 95193-0001



Fold and Tape

Please do not staple

Fold and Tape



Printed in U.S.A.

GC26-7532-01

