

## Hardware Maintenance Manual

### Types

8287 8288 8289 8296 8297

8298 8299 8326 8327 8328

8329 8340 8341 8342 8343

8344 8380 8381 8382



**ThinkCentre**

# Hardware Maintenance Manual

**Note:** Before using this information and the product it supports, be sure to read the information under “Notices,” on page 265.

**Sixth Edition (April 2007)**

**© Copyright Lenovo 2005.**

**Portions © Copyright International Business Machines Corporation 2005.**

**All rights reserved.**

U.S. GOVERNMENT USERS – RESTRICTED RIGHTS: Our products and/or services are provided with RESTRICTED RIGHTS. Use, duplication or disclosure by the Government is subject to the GSA ADP Schedule contract with Lenovo Group Limited, if any, or the standard terms of this commercial license, or if the agency is unable to accept this Program under these terms, then we provide this Program under the provisions set forth in Commercial Computer Software–Restricted Rights at FAR 52.227-19, when applicable, or under Rights in Data-General, FAR 52.227.14 (Alternate III).

---

# Contents

## Chapter 1. About this manual . . . . . 1

Important Safety Information . . . . .	1
Strategy for replacing FRUs for CTO, CMV, and GAV products . . . . .	2
Product definition . . . . .	2
FRU Identification for CTO, CMV, and GAV products . . . . .	2
Important information about replacing RoHS compliant FRUs . . . . .	3

## Chapter 2. Safety information . . . . . 5

General safety . . . . .	5
Electrical safety . . . . .	5
Safety inspection guide . . . . .	7
Handling electrostatic discharge-sensitive devices . . . . .	8
Grounding requirements . . . . .	8
Safety notices (multi-lingual translations) . . . . .	9

## Chapter 3. General information . . . . . 39

The ThinkVantage Productivity Center program . . . . .	39
Additional information resources . . . . .	39
Physical specifications . . . . .	39
Types 8289, 8298, 8328, 8341, 8344, and 8382 . . . . .	40
Types 8287, 8296, 8299, 8327, 8340, 8343, and 8381 . . . . .	41
Types 8288, 8297, 8326, 8329, 8342, and 8380 . . . . .	42

## Chapter 4. General Checkout . . . . . 43

Problem determination tips . . . . .	44
--------------------------------------	----

## Chapter 5. Diagnostics using PC-Doctor for DOS . . . . . 47

Starting PC-Doctor from the Rescue and Recovery workspace . . . . .	47
Starting PC-Doctor from a diagnostic diskette or CD-ROM . . . . .	48
Diagnostics program download . . . . .	48
Navigating through the diagnostics programs . . . . .	48
Running diagnostics tests . . . . .	48
Test selection . . . . .	49
Test results . . . . .	49
Fixed disk advanced test (FDAT) . . . . .	49
Quick and Full erase - hard drive . . . . .	51
Viewing the test log . . . . .	52

## Chapter 6. Using the Setup Utility . . . . . 53

Starting the Setup Utility program . . . . .	53
Viewing and changing settings . . . . .	53
Exiting from the Setup Utility program . . . . .	53
Using passwords . . . . .	53
User Password . . . . .	54
Administrator Password . . . . .	54
Setting, changing, and deleting a password . . . . .	54
Using Security Profile by Device . . . . .	54
Selecting a startup device . . . . .	55

Selecting a temporary startup device . . . . .	55
Changing the startup device sequence . . . . .	55
Advanced settings . . . . .	55

## Chapter 7. Symptom-to-FRU Index . . . . . 57

Hard disk drive boot error . . . . .	57
Power Supply Errors . . . . .	57
Diagnostic error codes . . . . .	59
Beep symptoms . . . . .	80
No-beep symptoms . . . . .	82
POST error codes . . . . .	83
Miscellaneous error messages . . . . .	86
Undetermined problems . . . . .	88

## Chapter 8. FRU lists . . . . . 89

Machine Type 8287 . . . . .	90
Machine Type 8288 . . . . .	99
Machine Type 8289 . . . . .	110
Machine Type 8296 . . . . .	121
Machine Type 8297 . . . . .	132
Machine Type 8298 . . . . .	143
Machine Type 8299 . . . . .	154
Machine Type 8326 . . . . .	160
Machine Type 8327 . . . . .	169
Machine Type 8328 . . . . .	177
Machine Type 8329 . . . . .	185
Machine Type 8340 . . . . .	194
Machine Type 8341 . . . . .	201
Machine Type 8342 . . . . .	209
Machine Type 8343 . . . . .	216
Machine Type 8344 . . . . .	223
Machine Type 8380 . . . . .	230
Machine Type 8381 . . . . .	239
Machine Type 8382 . . . . .	249

## Chapter 9. Additional Service Information . . . . . 259

Security features . . . . .	259
Hardware controlled Passwords . . . . .	259
Operating system password . . . . .	259
Vital product data . . . . .	259
Management Information Format (MIF) . . . . .	259
BIOS levels . . . . .	260
Flash update procedures . . . . .	260
Updating (flashing) BIOS from a diskette or CD-ROM . . . . .	260
Updating (flashing) BIOS from your operating system . . . . .	260
Recovering from a POST/BIOS update failure . . . . .	261
Power management . . . . .	262
Automatic configuration and power interface (ACPI) BIOS . . . . .	262
Automatic Power-On features . . . . .	262
Recovering software using the Rescue and Recovery program . . . . .	263

Starting the Rescue and Recovery workspace	263	Trademarks . . . . .	266
<b>Appendix. Notices . . . . .</b>	<b>265</b>		
Television output notice . . . . .	266		

---

## Chapter 1. About this manual

This manual contains service and reference information for ThinkCentre® computers listed on the cover. It is intended only for trained servicers who are familiar with Lenovo computer products.

Before servicing a Lenovo product, be sure to read the Safety Information. See Chapter 2, "Safety information," on page 5.

The Symptom-to-FRU Index and Additional Service Information chapters are not specific to any machine type and are applicable to all ThinkCentre computers.

This manual includes a complete FRU part number listing for each machine type and model listed on the cover. If you have internet access, FRU part numbers are also available at:

<http://www.lenovo.com/think/support>

This manual does not include procedures for replacing FRUs. For FRU replacement procedures, refer to the *Hardware Replacement Guide* for the appropriate machine type. The *Hardware Replacement Guide* is available at:  
<http://www.lenovo.com/think/support>.

---

## Important Safety Information

Be sure to read all caution and danger statements in this book before performing any of the instructions.

Veillez lire toutes les consignes de type DANGER et ATTENTION du présent document avant d'exécuter les instructions.

Lesen Sie unbedingt alle Hinweise vom Typ "ACHTUNG" oder "VORSICHT" in dieser Dokumentation, bevor Sie irgendwelche Vorgänge durchführen

Leggere le istruzioni introdotte da ATTENZIONE e PERICOLO presenti nel manuale prima di eseguire una qualsiasi delle istruzioni

Certifique-se de ler todas as instruções de cuidado e perigo neste manual antes de executar qualquer uma das instruções

Es importante que lea todas las declaraciones de precaución y de peligro de este manual antes de seguir las instrucciones.

تأكد من قراءة كل التحذيرات الموجودة في هذا الكتاب قبل اتباع هذه التعليمات .

执行任何说明之前，请确保已阅读本书中的所有警告和危险声明。

執行任何指示前，請確實閱讀本書中的所有警告及危險聲明。

ודאו שקראתם את כל הודעות האזהרה והסכנה במסמך זה לפני שתבצעו פעולה כלשהי.

---

## Strategy for replacing FRUs for CTO, CMV, and GAV products

### Product definition

#### Dynamic Configure To Order (CTO)

This provides the ability for a customer to configure a Lenovo solution from an eSite, and have this configuration sent to fulfillment, where it is built and shipped directly to the customer. The machine label, PC Entitlement Warehouse (PEW), eSupport, and the HMM will include these products as the 4-digit machine type (MT) and 3-digit model, where model = 'CTO' (Example: 8129-CTO)

#### Custom Model Variant (CMV)

This is a unique configuration that has been negotiated between Lenovo and the customer. A unique 4-digit MT and 3-digit model is provided to the customer to place orders (Example: 8129-W15) A CMV is a special bid offering. Therefore, it is NOT generally announced.

- The machine type model (MTM) portion of the machine label is the 4-digit MT and 3-digit model, where model = 'CTO' (Example: 8129-CTO) The PRODUCT ID portion of the machine label is the 4-digit MT and 3-digit CMV model (Example: 8129-W15)
- The PEW record is the 4-digit MT and 3-digit model, where model = 'CTO' (Example: 8129-CTO)
- eSupport will show both the CTO and CMV machine type models (Example: 8129-CTO and 8129-W15 will be found on the eSupport site.)
- The HMM will have the 4-digit MT and 3-digit CTO model only (Example: 8129-CTO) Again, CMVs are custom models and are not found in the HMM.

#### General Announce Variant (GAV)

This is a standard model (fixed configuration) GAVs are announced and offered to all customers. The MTM portion of the machine label is a 4-digit MT and 3-digit model, where model = a "fixed model number", not 'CTO' (Example: 8129-F1U) Also, PEW, eSupport, and the HMM will list these products under the same fixed model number.

### FRU Identification for CTO, CMV, and GAV products

There are three information resources to identify which FRUs are used to support CTO, CMV, and GAV products. These sources are PEW, eSupport, and the HMM.

#### Using PEW

- PEW is the primary source for identifying FRU part numbers and FRU descriptions for the key commodities for CTO, CMV and GAV products at a MT - serial number level. An example of key commodities are hard disk drives, system boards, microprocessors, Liquid Crystal Displays (LCDs), and memory.
- Remember, All CTO and CMV products are loaded in PEW under the 4-digit MT and 3-digit model, where model = 'CTO' (Example: 8129-CTO) GAVs are loaded in PEW under the 4-digit MT and 3-digit model, where model = a "fixed model number", not 'CTO' (Example: 8129-F1U)
- PEW can be accessed as follows:
  1. Point your browser to <http://w3-3.ibm.com/pc/entitle>.
  2. Under PEW Home, click **Machine Lookup**.



3. Under Machine Lookup, click **Warranty Information**.
4. Under Warranty Information, type the MT and Serial number and click **Submit**.

The list of key commodities is returned in the PEW record under Component Information.

- **Business Partners** using Eclaim will access PEW when performing Entitlement Lookup. Business Partners will enter Loc ID, MT and Serial, and the key commodities will be returned in the Eclaim record under System Details.
- Authorized Lenovo Business Partners can access Eclaim at the following Web site:  
<http://wca.eclaim.com>

## Using eSupport

### For Key Commodities (Examples - hard disk drive, system board, microprocessor, LCD, and memory)

- eSupport can be used to view the list of key commodities built in a particular machine serial (this is the same record found in PEW)
- eSupport can be accessed at the following Web site:  
<http://www.lenovo.com/think/support>
- To view the key commodities:
  1. Click **Parts information**.
  2. Under Parts information, click **Parts lookup**.
  3. Under Parts lookup, type the model type and serial number; then click **Continue**.

The key commodities are returned in the eSupport record under Parts shipped with your system.

### For the remaining FRUs (the complete list of FRUs at the MT Model level)

- eSupport can be used to view the complete list of FRUs for a machine type and model.
- To view the complete list of FRUs for a machine type:
  1. Point your browser to <http://www.lenovo.com/think/support>.
  2. Type the machine type (Example: 8129) in the Use Quick Path field; then click **Go**.
  3. Under Browse by product, click **Continue**.
  4. Under Important information, click **Parts information**.
  5. In the Refine results field, select **Service parts**; then click the entry for your machine type.

The list of service parts by description, with applicable machine type model and FRU part number is displayed.

## Using the HMM

- Use the HMM as a back-up to PEW and eSupport to view the complete list of FRU part numbers at the MT Model level.

---

## Important information about replacing RoHS compliant FRUs

RoHS, The Restriction of Hazardous Substances in Electrical and Electronic Equipment Directive (2002/95/EC) is a European Union legal requirement affecting the global electronics industry. RoHS requirements must be implemented on Lenovo products placed on the market after June 2006. Products on the market before June 2006 are not required to have RoHS compliant parts.

**So, if the parts are not compliant originally, replacement parts can also be noncompliant, but in all cases, if the parts are compliant, the replacement parts must also be compliant.**

Lenovo plans to transition to RoHS compliance well before the implementation date and expects its suppliers to be ready to support Lenovo's requirements and schedule. Products sold in 2005, will contain some RoHS compliant FRUs. The following statement pertains to these products and any product Lenovo produces containing RoHS compliant parts.

RoHS compliant ThinkCentre parts have unique FRU part numbers. Before or after June, 2006, failed RoHS compliant parts must always be replaced using RoHS compliant FRUs, so only the FRUs identified as compliant in the system HMM or direct substitutions for those FRUs can be used.

Products marketed before June 2006		Products marketed after June 2006	
Current or original part	Replacement FRU	Current or original part	Replacement FRU
Non-RoHS	Can be Non-RoHS	Must be RoHS	Must be RoHS
Non-RoHS	Can be RoHS		
Non-RoHS	Can sub to RoHS		
RoHS	Must be RoHS		

**Note:** A direct substitution is a part with a different FRU part number that is automatically shipped by the distribution center at the time of order.

Related Web URLs are:

- Lenovo information for Suppliers website:  
<http://www-03.ibm.com/procurement/proweb.nsf/ContentDocsByTitle/United+States~Information+for+suppliers>
- RoHS Directive:  
[http://europa.eu.int/eur-lex/pri/en/oj/dat/2003/l\\_037/l\\_03720030213en00190023.pdf](http://europa.eu.int/eur-lex/pri/en/oj/dat/2003/l_037/l_03720030213en00190023.pdf)
- California Senate Bills 20, 50:  
<http://www.ciwmb.ca.gov/HHW/Events/AnnualConf/2004/presentation/MPaparian.pdf>

---

## Chapter 2. Safety information

This chapter contains the safety information that you need to be familiar with before servicing a computer.

---

### General safety

Follow these rules to ensure general safety:

- Observe good housekeeping in the area of the machines during and after maintenance.
- When lifting any heavy object:
  1. Ensure you can stand safely without slipping.
  2. Distribute the weight of the object equally between your feet.
  3. Use a slow lifting force. Never move suddenly or twist when you attempt to lift.
  4. Lift by standing or by pushing up with your leg muscles; this action removes the strain from the muscles in your back. *Do not attempt to lift any objects that weigh more than 16 kg (35 lb) or objects that you think are too heavy for you.*
- Do not perform any action that causes hazards to the customer, or that makes the equipment unsafe.
- Before you start the machine, ensure that other service representatives and the customer's personnel are not in a hazardous position.
- Place removed covers and other parts in a safe place, away from all personnel, while you are servicing the machine.
- Keep your tool case away from walk areas so that other people will not trip over it.
- Do not wear loose clothing that can be trapped in the moving parts of a machine. Ensure that your sleeves are fastened or rolled up above your elbows. If your hair is long, fasten it.
- Insert the ends of your necktie or scarf inside clothing or fasten it with a nonconductive clip, approximately 8 centimeters (3 inches) from the end.
- Do not wear jewelry, chains, metal-frame eyeglasses, or metal fasteners for your clothing.

**Remember:** Metal objects are good electrical conductors.
- Wear safety glasses when you are: hammering, drilling soldering, cutting wire, attaching springs, using solvents, or working in any other conditions that might be hazardous to your eyes.
- After service, reinstall all safety shields, guards, labels, and ground wires. Replace any safety device that is worn or defective.
- Reinstall all covers correctly before returning the machine to the customer.

---

### Electrical safety



**CAUTION:**

Electrical current from power, telephone, and communication cables can be hazardous. To avoid personal injury or equipment damage, disconnect the attached power cords, telecommunication systems, networks, and modems before you open the server/workstation covers, unless instructed otherwise in the installation and configuration procedures.

Observe the following rules when working on electrical equipment.

**Important:** Use only approved tools and test equipment. Some hand tools have handles covered with a soft material that does not insulate you when working with live electrical currents.

Many customers have, near their equipment, rubber floor mats that contain small conductive fibers to decrease electrostatic discharges. Do not use this type of mat to protect yourself from electrical shock.

- Find the room emergency power-off (EPO) switch, disconnecting switch, or electrical outlet. If an electrical accident occurs, you can then operate the switch or unplug the power cord quickly.
- Do not work alone under hazardous conditions or near equipment that has hazardous voltages.
- Disconnect all power before:
  - Performing a mechanical inspection
  - Working near power supplies
  - Removing or installing main units
- Before you start to work on the machine, unplug the power cord. If you cannot unplug it, ask the customer to power-off the wall box that supplies power to the machine and to lock the wall box in the off position.
- If you need to work on a machine that has exposed electrical circuits, observe the following precautions:
  - Ensure that another person, familiar with the power-off controls, is near you.  
**Remember:** Another person must be there to switch off the power, if necessary.
  - Use only one hand when working with powered-on electrical equipment; keep the other hand in your pocket or behind your back.  
**Remember:** There must be a complete circuit to cause electrical shock. By observing the above rule, you may prevent a current from passing through your body.
  - When using testers, set the controls correctly and use the approved probe leads and accessories for that tester.
  - Stand on suitable rubber mats (obtained locally, if necessary) to insulate you from grounds such as metal floor strips and machine frames.

Observe the special safety precautions when you work with very high voltages; these instructions are in the safety sections of maintenance information. Use extreme care when measuring high voltages.

- Regularly inspect and maintain your electrical hand tools for safe operational condition.
- Do not use worn or broken tools and testers.
- *Never assume* that power has been disconnected from a circuit. First, *check* that it has been powered-off.

- Always look carefully for possible hazards in your work area. Examples of these hazards are moist floors, nongrounded power extension cables, power surges, and missing safety grounds.
- Do not touch live electrical circuits with the reflective surface of a plastic dental mirror. The surface is conductive; such touching can cause personal injury and machine damage.
- Do not service the following parts with the power on when they are removed from their normal operating places in a machine:
  - Power supply units
  - Pumps
  - Blowers and fans
  - Motor generatorsand similar units. (This practice ensures correct grounding of the units.)
- If an electrical accident occurs:
  - Use caution; do not become a victim yourself.
  - Switch off power.
  - Send another person to get medical aid.

---

## Safety inspection guide

The intent of this inspection guide is to assist you in identifying potentially unsafe conditions on these products. Each machine, as it was designed and built, had required safety items installed to protect users and service personnel from injury. This guide addresses only those items. However, good judgment should be used to identify potential safety hazards due to attachment of features or options not covered by this inspection guide.

If any unsafe conditions are present, you must determine how serious the apparent hazard could be and whether you can continue without first correcting the problem.

Consider these conditions and the safety hazards they present:

- Electrical hazards, especially primary power (primary voltage on the frame can cause serious or fatal electrical shock)
- Explosive hazards, such as a damaged CRT face or bulging capacitor
- Mechanical hazards, such as loose or missing hardware

The guide consists of a series of steps presented in a checklist. Begin the checks with the power off, and the power cord disconnected.

Checklist:

1. Check exterior covers for damage (loose, broken, or sharp edges)
2. Power-off the computer. Disconnect the power cord.
3. Check the power cord for:
  - a. A third-wire ground connector in good condition. Use a meter to measure third-wire ground continuity for 0.1 ohm or less between the external ground pin and frame ground.
  - b. The power cord should be the appropriate type as specified in the parts listings.
  - c. Insulation must not be frayed or worn.
4. Remove the cover.

5. Check for any obvious alterations. Use good judgment as to the safety of any alterations.
6. Check inside the unit for any obvious unsafe conditions, such as metal filings, contamination, water or other liquids, or signs of fire or smoke damage.
7. Check for worn, frayed, or pinched cables.
8. Check that the power-supply cover fasteners (screws or rivets) have not been removed or tampered with.

---

## Handling electrostatic discharge-sensitive devices

Any computer part containing transistors or integrated circuits (ICs) should be considered sensitive to electrostatic discharge (ESD). ESD damage can occur when there is a difference in charge between objects. Protect against ESD damage by equalizing the charge so that the machine, the part, the work mat, and the person handling the part are all at the same charge.

### Notes:

1. Use product-specific ESD procedures when they exceed the requirements noted here.
2. Make sure that the ESD protective devices you use have been certified (ISO 9000) as fully effective.

When handling ESD-sensitive parts:

- Keep the parts in protective packages until they are inserted into the product.
- Avoid contact with other people.
- Wear a grounded wrist strap against your skin to eliminate static on your body.
- Prevent the part from touching your clothing. Most clothing is insulative and retains a charge even when you are wearing a wrist strap.
- Use the black side of a grounded work mat to provide a static-free work surface. The mat is especially useful when handling ESD-sensitive devices.
- Select a grounding system, such as those listed below, to provide protection that meets the specific service requirement.

**Note:** The use of a grounding system is desirable but not required to protect against ESD damage.

- Attach the ESD ground clip to any frame ground, ground braid, or green-wire ground.
- Use an ESD common ground or reference point when working on a double-insulated or battery-operated system. You can use coax or connector-outside shells on these systems.
- Use the round ground-prong of the ac plug on ac-operated computers.

---

## Grounding requirements

Electrical grounding of the computer is required for operator safety and correct system function. Proper grounding of the electrical outlet can be verified by a certified electrician.

---

## Safety notices (multi-lingual translations)

The caution and danger safety notices in this section are provided in the following languages:

- English
- Arabic
- Brazilian/Portuguese
- Chinese (simplified)
- Chinese (traditional)
- French
- German
- Hebrew
- Italian
- Korean
- Spanish



### DANGER

Electrical current from power, telephone and communication cables is hazardous.

To avoid a shock hazard:

- **Do not connect or disconnect any cables or perform installation, maintenance, or reconfiguration of this product during an electrical storm.**
- **Connect all power cords to a properly wired and grounded electrical outlet.**
- **Connect to properly wired outlets any equipment that will be attached to this product.**
- **When possible, use one hand only to connect or disconnect signal cables.**
- **Never turn on any equipment when there is evidence of fire, water, or structural damage.**
- **Disconnect the attached power cords, telecommunications systems, networks, and modems before you open the device covers, unless instructed otherwise in the installation and configuration procedures.**
- **Connect and disconnect cables as described in the following table when installing, moving, or opening covers on this product or attached devices.**

To Connect	To Disconnect
<ol style="list-style-type: none"><li>1. Turn everything OFF.</li><li>2. First, attach all cables to devices.</li><li>3. Attach signal cables to connectors.</li><li>4. Attach power cords to outlet.</li><li>5. Turn device ON.</li></ol>	<ol style="list-style-type: none"><li>1. Turn everything OFF.</li><li>2. First, remove power cords from outlet.</li><li>3. Remove signal cables from connectors.</li><li>4. Remove all cables from devices.</li></ol>



**CAUTION:**

When replacing the lithium battery, use only Part Number 33F8354 or an equivalent type battery recommended by the manufacturer. If your system has a module containing a lithium battery, replace it only with the same module type made by the same manufacturer. The battery contains lithium and can explode if not properly used, handled, or disposed of.

*Do not:*

- Throw or immerse into water
- Heat to more than 100°C (212°F)
- Repair or disassemble

Dispose of the battery as required by local ordinances or regulations.



**CAUTION:**

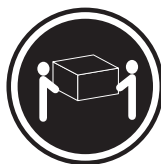
When laser products (such as CD-ROMs, DVD-ROM drives, fiber optic devices, or transmitters) are installed, note the following:

- Do not remove the covers. Removing the covers of the laser product could result in exposure to hazardous laser radiation. There are no serviceable parts inside the device.
- Use of controls or adjustments or performance of procedures other than those specified herein might result in hazardous radiation exposure.



**DANGER:** Some laser products contain an embedded Class 3A or Class 3B laser diode. Note the following:

Laser radiation when open. Do not stare into the beam, do not view directly with optical instruments, and avoid direct exposure to the beam.



≥18 kg (37 lbs)



≥32 kg (70.5 lbs)



≥55 kg (121.2 lbs)

**CAUTION:**

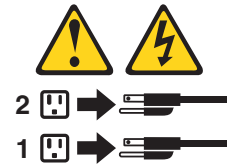
Use safe practices when lifting.





**CAUTION:**

The power control button on the device and the power switch on the power supply do not turn off the electrical current supplied to the device. The device also might have more than one power cord. To remove all electrical current from the device, ensure that all power cords are disconnected from the power source.





## خطر

التيار الكهربى الموجود بمصدر الطاقة أو أجهزة التليفون أو أسلاك الإتصالات يشكل خطورة.

لتفادي مخاطر الصدمات الكهربائية:

لا تحاول توصيل أو فصل أي أسلاك أو القيام بعمليات تركيب أو صيانة أو إعادة توصيف لهذا المنتج أثناء وجود عاصفة كهربائية.

يجب توصيل كل أسلاك الكهرباء في مخارج كهرباء ذات توصيلات أسلاك وتوصيلات أرضية صحيحة  
يجب توصيل أي جهاز سيتم الحاقه بهذا المنتج في مخارج كهرباء ذات توصيلات أسلاك صحيحة.

وإن أمكن يجب استخدام يد واحدة فقط في توصيل أو فصل أسلاك الإشارة.

لا تحاول تشغيل أي جهاز إذا كان هناك أثر لحرق أو مياه أو تلف بالمكونات

يجب فصل أسلاك الكهرباء وأنظمة الاتصالات وشبكات الاتصال وأجهزة المودم الملحقة قبل فتح أغطية الجهاز، ما لم يتم طلب خلاف ذلك في التعليمات الخاصة بالتركيب والتوصيف.

قم بتوصيل وفصل الأسلاك كما هو موضح في الجدول التالي وذلك عند القيام بعمليات التركيب أو النقل أو فتح أغطية هذا المنتج أو الأجهزة الملحقة.

### للتوصيل:

قم بإيقاف كل شيء.

أولاً، قم بتوصيل كل الأسلاك بالأجهزة.

قم بتوصيل أسلاك الإشارة في لموصلات.

قم بتوصيل أسلاك الكهرباء في المخارج.

قم بتشغيل الجهاز.

### للفصل:

قم بإيقاف كل شيء.

أولاً، قم بفصل كل أسلاك الكهرباء من المخرج.

قم بفصل أسلاك الإشارة من الموصلات.

قم بفصل كل الأسلاك من الأجهزة.



تنبيه :

عند استبدال البطارية الليثيوم، استخدم فقط رقم الجزء الخاص **Part Number 33F8354** أو نوع آخر يكون على نفس مستوى الكفاءة يحدده لك المصنع.  
إذا كان النظام الخاص يستخدم معه بطارية ليثيوم قم باستبدالها بنفس النوع الذي تم صناعته من خلال نفس المصنع. تحتوي البطارية على مادة الليثيوم ويمكن أن تنفجر في حالة عدم استخدامها أو التعامل معها بطريقة صحيحة أو عند التخلص منها بطريقة خطأ.

لا تقم بـ:

- الفاء البطارية أو غمرها في الماء
- تسخينها أعلى من ١٠٠ درجة مئوية و(٢١٢ ° فهرنهايت)
- بتصليحها أو فكها

تخلص من البطارية طبقاً للقانون أو النظام المحلي .



تنبيه :

أثناء تركيب منتجات ليزر (مثل CD-ROMs أو وحدة تشغيل DVD أو أجهزة Fiber Optic أو وحدات الإرسال) يجب مراعاة الآتي:

لا تنزع الأغطية. قد ينتج عن نزع أغطية منتج الليزر انفجار أشعة الليزر شديدة الخطورة.  
لا يوجد أجزاء يمكن تغييرها داخل الجهاز. قد ينتج عن استخدام تحكيمات أو تعديلات أو عمل أي تصرفات أخرى تخالف ما هو محدد هنا إلى انفجار أشعة شديدة الخطورة.



خطر

تحتوي بعض منتجات الليزر على الفئة دايود ليزر مدمج من الفئة **Class 3A** أو **Class 3B**. يجب مراعاة الآتي .

أشعة الليزر عند الفتح. لا تحدد إلى الإشعاع و لا تنظر إليه مباشرة بواسطة أي أجهزة مرئية وتجنب التعرض المباشر للإشعاع .



≥18 kg (37 lbs)



≥32 kg (70.5 lbs)



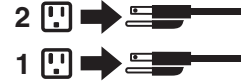
≥55 kg (121.2 lbs)



تنبيه :  
يجب استخدام ممارسات آمنة عند الرفع



تنبيه :  
لا يقرم زر التحكم في التشغيل الموجود على الجهاز والمفتاح الكهربائي الموجود على لوحة التحكم بإيقاف التيار الكهربائي المار بالجهاز. قد يكون للجهاز أكثر من سلك كهربائي واحد. لايقاف التيار الكهربائي المار بالجهاز، تأكد من فصل جميع أسلاك الكهرباء من مصدر الكهرباء .





## PERIGO

A corrente elétrica proveniente de cabos de alimentação, de telefone e de comunicações é perigosa.

Para evitar risco de choque elétrico:

- Não conecte nem desconecte nenhum cabo ou execute instalação, manutenção ou reconfiguração deste produto durante uma tempestade com raios.
- Conecte todos os cabos de alimentação a tomadas elétricas corretamente instaladas e aterradas.
- Todo equipamento que for conectado a este produto deve ser conectado a tomadas corretamente instaladas.
- Quando possível, utilize apenas uma das mãos para conectar ou desconectar cabos de sinal.
- Nunca ligue nenhum equipamento quando houver evidência de fogo, água ou danos estruturais.
- Antes de abrir tampas de dispositivos, desconecte cabos de alimentação, sistemas de telecomunicação, redes e modems conectados, a menos que especificado de maneira diferente nos procedimentos de instalação e configuração.
- Conecte e desconecte os cabos conforme descrito na tabela apresentada a seguir ao instalar, mover ou abrir tampas deste produto ou de dispositivos conectados.

Para Conectar:	Para Desconectar:
<ol style="list-style-type: none"><li>1. DESLIGUE Tudo.</li><li>2. Primeiramente, conecte todos os cabos aos dispositivos.</li><li>3. Conecte os cabos de sinal aos conectores.</li><li>4. Conecte os cabos de alimentação às tomadas.</li><li>5. LIGUE os dispositivos.</li></ol>	<ol style="list-style-type: none"><li>1. DESLIGUE Tudo.</li><li>2. Primeiramente, remova os cabos de alimentação das tomadas.</li><li>3. Remova os cabos de sinal dos conectores.</li><li>4. Remova todos os cabos dos dispositivos.</li></ol>



#### **CUIDADO:**

Ao substituir a bateria de lítio, utilize apenas uma bateria com Número de Peça 33F8354 ou um tipo de bateria equivalente recomendado pelo Se o seu sistema possui um módulo com uma bateria de lítio, substitua-o apenas por um módulo do mesmo tipo e do mesmo fabricante. A bateria contém lítio e pode explodir se não for utilizada, manuseada ou descartada de maneira correta.

Não:

- Jogue ou coloque na água
- Aqueça a mais de 100°C (212°F)
- Conserte nem desmonte

Descarte a bateria conforme requerido pelas leis ou regulamentos locais.



#### **PRECAUCIÓN:**

Quando produtos a laser (como unidades de CD-ROMs, unidades de DVD-ROM, dispositivos de fibra ótica ou transmissores) estiverem instalados, observe o seguinte:

- Não remova as tampas. A remoção das tampas de um produto a laser pode resultar em exposição prejudicial à radiação de laser. Não existem peças que podem ser consertadas no interior do dispositivo.
- A utilização de controles ou ajustes ou a execução de procedimentos diferentes dos especificados aqui pode resultar em exposição prejudicial à radiação.

#### **PERIGO**

Alguns produtos a laser contêm diodo de laser integrado da Classe 3A ou da Classe 3B. Observe o seguinte:

Radiação a laser quando aberto. Não olhe diretamente para o feixe a olho nu ou com instrumentos ópticos e evite exposição direta ao feixe.



≥18 kg (37 lbs)



≥32 kg (70.5 lbs)



≥55 kg (121.2 lbs)

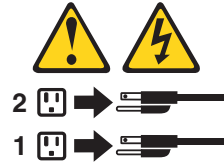
#### **CUIDADO:**

Utilize procedimentos de segurança para levantar equipamentos.



**CUIDADO:**

O botão de controle de alimentação do dispositivo e o botão para ligar/desligar da fonte de alimentação não desligam a corrente elétrica fornecida ao dispositivo. O dispositivo também pode ter mais de um cabo de alimentação. Para remover toda a corrente elétrica do dispositivo, assegure que todos os cabos de alimentação estejam desconectados da fonte de alimentação.





#### 危险

电源、电话和通信电缆中的电流是危险的。

为避免电击危险：

- 请勿在雷电期间连接或断开任何电缆的连接，或者对本产品进行安装、维护或重新配置。
- 将所有电源线连接到正确连线和妥善接地的电源插座。
- 将所有要连接到该产品的设备连接到正确连线的插座。
- 如果可能，请仅使用一只手来连接或断开信号电缆的连接。
- 切勿在有火、水、结构损坏迹象的情况下开启任何设备。
- 在打开设备外盖之前请断开已连接的电源线、远程通信系统、网络和调制解调器，除非在安装和配置过程中另有说明。
- 当安装、移动或打开该产品或连接设备的外盖时，请按照下表所述来连接或断开电缆的连接。

要连接	要断开连接
<ol style="list-style-type: none"><li>1. 切断所有电源。</li><li>2. 首先将所有电缆连接到设备。</li><li>3. 将信号电缆连接到接口。</li><li>4. 将电源线连接到插座。</li><li>5. 开启设备。</li></ol>	<ol style="list-style-type: none"><li>1. 切断所有电源。</li><li>2. 首先从插座上拔出电源线。</li><li>3. 从接口上拔出信号电缆。</li><li>4. 从设备上拔出所有电缆。</li></ol>



**警告：**  
更换锂电池时，请仅使用部件号为 33F8354 的电池或制造商推荐的同类电池。如果您的系统有包含锂电池的模块，请仅使用同一制造商生产的相同模块类型来替换该模块。该电池中含有锂，如果使用、操作或处理不当，可能会发生爆炸。

切勿：

- 投入或浸入水中
- 加热到 100 °C (212 °F) 以上
- 维修或拆卸

请按照当地法令或条例的要求处理电池。





警告：  
安装激光产品（例如 CD-ROM、DVD-ROM 驱动器、光纤设备或发射设备）时，  
请注意以下声明：

- 请勿卸下外盖。卸下激光产品的外盖可能导致遭受激光辐射的危险。该设备内没有可维修的部件。
- 如果不按照此处指定的过程进行控制、调整或操作，则有可能导致遭受辐射的危险。



危险

某些激光产品包含嵌入式 3A 类或 3B 类激光二极管。请注意以下声明：

打开后有激光辐射。请勿注视光束，请勿直接用光学仪器查看，并请避免直接暴露在光束中。



≥18 千克 (37 磅)



≥32 千克 (70.5 磅)



≥55 千克 (121.2 磅)

警告：  
抬起时请采取安全措施。



警告：  
设备上的电源控制按钮和电源上的电源开关不会切断供给该设备的电流。该设备还可能有多条电源线。要切断该设备的所有电流，请确保所有电源线都与电源断开连接。





#### 危險

電源、電話及通訊纜線上的電流都具有危險性。

若要避免觸電危險：

- 請勿在雷雨期間，連接或拔除纜線、執行安裝、維護或重新配置本產品。
- 將所有電源線連接到正確配線及接地的電源插座。
- 任何與本產品連接的設備都必須連接到配線妥當的電源插座。
- 請盡可能用單手連接或拔除信號線。
- 發生火災、水災或結構損害時，絕對不要開啟任何設備。
- 除非在安裝及配置程序中另有指示，否則在開啟裝置機蓋之前，請拔掉連接的電源線、電信系統、網路及數據機。
- 安裝、移動或開啟本產品或附屬裝置的機蓋時，請遵循下列說明連接及拔掉纜線。

連線	切斷連線
<ol style="list-style-type: none"> <li>1. 關閉所有開關。</li> <li>2. 首先，連接所有接線到裝置。</li> <li>3. 連接信號線到接頭。</li> <li>4. 連接電源線到插座。</li> <li>5. 開啟裝置。</li> </ol>	<ol style="list-style-type: none"> <li>1. 關閉所有開關。</li> <li>2. 首先，拔掉插座上的電源線。</li> <li>3. 拔掉接頭上的信號線。</li> <li>4. 拔掉裝置上所有接線。</li> </ol>



#### 警告：

更換鋰電池時，請僅使用產品編號 **33F8354** 或製造商所建議的同類型電池。  
 如果您的系統中含有鋰電池模組，請僅使用同一家製造商所生產的相同模組進行更換。  
 如果未以正確方式使用、處理或棄置含鋰的電池，會有爆炸的危險。

請勿：

- 沾溼或浸入水中
  - 置於 **100C (212F)** 以上的高溫環境
  - 修理或拆開
- 請按照各地區有關廢棄電池的法令和規定處理舊電池。



#### 警告：

- 請勿移除機蓋。移除雷射產品的機蓋，可能會導致暴露在危險的雷射輻射中。裝置內部並無可自行維修的零件。
- 利用或執行非本文中所指定的控制、調整及執行程序，可能會導致危險的輻射外洩。



#### 危險

部分雷射產品含有內嵌式 **Class 3A** 或 **Class 3B** 雷射二極體。請注意下列事項：  
 在開啟光碟機時，會發生雷射輻射。請勿直視光束或用光學儀器直接檢視，並避免直接暴露在光束中。



≥ 18 公斤 (37 磅)



≥ 32 公斤 (70.5 磅)



≥ 55 公斤 (121.2 磅)

警告：  
搬運時請注意安全。



警告：  
裝置上的電源控制按鈕及電源供應器上的電源開關，無法關閉裝置所產生的電流。  
該裝置可能有多條電源線。若要除去裝置流出的所有電流，請確認已切斷所有電源線的電源。





## DANGER

Le courant électrique provenant de l'alimentation, du téléphone et des câbles de transmission peut présenter un danger.

Pour éviter tout risque de choc électrique :

- Ne manipulez aucun câble et n'effectuez aucune opération d'installation, d'entretien ou de reconfiguration de ce produit au cours d'un orage.
- Branchez tous les cordons d'alimentation sur un socle de prise de courant correctement câblé et mis à la terre.
- Branchez sur des socles de prise de courant correctement câblés tout équipement connecté à ce produit.
- Lorsque cela est possible, n'utilisez qu'une seule main pour connecter ou déconnecter les câbles d'interface.
- Ne mettez jamais un équipement sous tension en cas d'incendie ou d'inondation, ou en présence de dommages matériels.
- Avant de retirer les carters de l'unité, mettez celle-ci hors tension et déconnectez ses cordons d'alimentation, ainsi que les câbles qui la relient aux réseaux, aux systèmes de télécommunication et aux modems (sauf instruction contraire mentionnée dans les procédures d'installation et de configuration)
- Lorsque vous installez, que vous déplacez, ou que vous manipulez le présent produit ou des périphériques qui lui sont raccordés, reportez-vous aux instructions ci-dessous pour connecter et déconnecter les différents cordons.

Connexion	Déconnexion
1. Mettez les unités HORS TENSION.	1. Mettez les unités HORS TENSION.
2. Commencez par brancher tous les cordons sur les unités.	2. Débranchez les cordons d'alimentation des prises.
3. Branchez les câbles d'interface sur des connecteurs.	3. Débranchez les câbles d'interface des connecteurs.
4. Branchez les cordons d'alimentation sur des prises.	4. Débranchez tous les câbles des unités.
5. Mettez les unités SOUS TENSION.	



**ATTENTION:**

Remplacer la pile au lithium usagée par une pile de référence identique exclusivement, (référence 33F8354), ou suivre les instructions du fabricant qui en définit les équivalences. Si votre système est doté d'un module contenant une pile au lithium, vous devez le remplacer uniquement par un module identique, produit par le même fabricant. La pile contient du lithium et peut exploser en cas de mauvaise utilisation, de mauvaise manipulation ou de mise au rebut inappropriée.

Ne pas :

- la jeter à l'eau,
- l'exposer à des températures supérieures à 100°C,
- chercher à la réparer ou à la démonter.

Ne pas mettre la pile à la poubelle. Pour la mise au rebut, se reporter à la réglementation en vigueur.



**ATTENTION:**

Si des produits à laser (tels que des unités de CD-ROM, de DVD-ROM, des unités à fibres optiques, ou des émetteurs) sont installés, prenez connaissance des informations suivantes :

- Ne retirez pas le carter. En ouvrant l'unité de CD-ROM ou de DVD-ROM, vous vous exposez au rayonnement dangereux du laser. Aucune pièce de l'unité n'est réparable.
- Pour éviter tout risque d'exposition au rayon laser, respectez les consignes de réglage et d'utilisation des commandes, ainsi que les procédures décrites dans le présent manuel.



**DANGER**

Certains produits à laser contiennent une diode à laser intégrée de classe 3A ou 3B. Prenez connaissance des informations suivantes:

Rayonnement laser lorsque le carter est ouvert. Evitez toute exposition directe au rayon laser. Evitez de regarder fixement le faisceau ou de l'observer à l'aide d'instruments optiques.



≥18 kg (37 lbs)



≥32 kg (70.5 lbs)



≥55 kg (121.2 lbs)

**ATTENTION:**

Soulevez la machine avec précaution.



**ATTENTION:**

L'interrupteur de contrôle d'alimentation de l'unité et l'interrupteur dubloc d'alimentation ne coupent pas le courant électrique alimentant l'unité. En outre, le système peut être équipé de plusieurs cordons d'alimentation. Pour mettre l'unité hors tension, vous devez déconnecter tous les cordons de la source d'alimentation.





## VORSICHT

An Netz-, Telefon- und Datenleitungen können gefährliche Spannungen anliegen.

### Aus Sicherheitsgründen:

- Bei Gewitter an diesem Gerät keine Kabel anschließen oder lösen. Ferner keine Installations-, Wartungs- oder Rekonfigurationsarbeiten durchführen.
- Gerät nur an eine Schutzkontaktsteckdose mit ordnungsgemäß geerdetem Schutzkontakt anschließen.
- Alle angeschlossenen Geräte ebenfalls an Schutzkontaktsteckdosen mit ordnungsgemäß geerdetem Schutzkontakt anschließen.
- Die Signalkabel nach Möglichkeit einhändig anschließen oder lösen, um einen Stromschlag durch Berühren von Oberflächen mit unterschiedlichem elektrischem Potenzial zu vermeiden.
- Geräte niemals einschalten, wenn Hinweise auf Feuer, Wasser oder Gebäudeschäden vorliegen.
- Die Verbindung zu den angeschlossenen Netzkabeln, Telekommunikationssystemen, Netzwerken und Modems ist vor dem Öffnen des Gehäuses zu unterbrechen, sofern in den Installations- und Konfigurationsprozeduren keine anders lautenden Anweisungen enthalten sind.
- Zum Installieren, Transportieren und Öffnen der Abdeckungen des Computers oder der angeschlossenen Einheiten die Kabel gemäß der folgenden Tabelle anschließen und abziehen.

Zum Anschließen der Kabel gehen Sie wie folgt vor	Zum Abziehen der Kabel gehen Sie wie folgt vor
<ol style="list-style-type: none"> <li>1. Schalten Sie alle Einheiten AUS.</li> <li>2. Schließen Sie erst alle Kabel an die Einheiten an.</li> <li>3. Schließen Sie die Signalkabel an die Buchsen an.</li> <li>4. Schließen Sie die Netzkabel an die Steckdose an.</li> <li>5. Schalten Sie die Einheit EIN.</li> </ol>	<ol style="list-style-type: none"> <li>1. Schalten Sie alle Einheiten AUS.</li> <li>2. Ziehen Sie zuerst alle Netzkabel aus den Netzsteckdosen.</li> <li>3. Ziehen Sie die Signalkabel aus den Buchsen.</li> <li>4. Ziehen Sie alle Kabel von den Einheiten ab.</li> </ol>



#### **CAUTION:**

Eine verbrauchte Lithiumbatterie nur durch eine Batterie mit der Teilenummer 33F8354 oder eine gleichwertige, vom Hersteller empfohlene Batterie ersetzen. Enthält das System ein Modul mit einer Lithiumbatterie, dieses nur durch ein Modul desselben Typs und von demselben Hersteller ersetzen. Die Batterie enthält Lithium und kann bei unsachgemäßer Verwendung, Handhabung oder Entsorgung explodieren.

Die Batterie nicht:

- mit Wasser in Berührung bringen.
- über 100 C erhitzen.
- reparieren oder zerlegen.

Die örtlichen Bestimmungen für die Entsorgung von Sondermüll beachten.



#### **ACHTUNG:**

**Bei der Installation von Lasergeräten (wie CD-ROM-Laufwerken, DVD-aufwerken, Einheiten mit Lichtwellenleitertechnik oder Sendern) Folgendes beachten:**

- **Die Abdeckungen nicht entfernen. Durch Entfernen der Abdeckungen des Lasergeräts können gefährliche Laserstrahlungen freigesetzt werden. Das Gerät enthält keine zu wartenden Teile.**
- **Werden Steuerelemente, Einstellungen oder Durchführungen von Prozeduren anders als hier angegeben verwendet, kann gefährliche Laserstrahlung auftreten.**

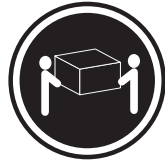


#### **VORSICHT**

**Einige Lasergeräte enthalten eine Laserdiode der Klasse 3A oder 3B. Beachten Sie Folgendes:**

**Laserstrahlung bei geöffneter Verkleidung. Nicht in den Strahl blicken. Keine Lupen oder Spiegel verwenden. Strahlungsbereich meiden.**





≥18 kg



≥32 kg



≥55 kg

**ACHTUNG:**

Arbeitsschutzrichtlinien beim Anheben der Maschine beachten.



**ACHTUNG:**

Mit dem Netzschalter an der Einheit und am Netzteil wird die Stromversorgung für die Einheit nicht unterbrochen. Die Einheit kann auch mit mehreren Netzkabeln ausgestattet sein. Um die Stromversorgung für die Einheit vollständig zu unterbrechen, müssen alle zum Gerät führenden Netzkabel vom Netz getrennt werden.





#### סכנה

זרם חשמלי המועבר בכבלי חשמל, טלפון ותקשורת הוא מסוכן.

כדי להימנע מסכנת התחשמלות:

- אל תחברו או תנתקו כבלים, ואל תבצעו פעולת התקנה, תחזוקה או שינוי תצורה במוצר זה במהלך סופת ברקים.
- חברו את כל כבלי החשמל לשקע חשמל מחווט ומוארק כהלכה.
- חברו כל ציוד שיחובר למוצר זה לשקעי חשמל מחוטים כהלכה.
- במידת האפשר, השתמשו ביד אחת בלבד לחיבור או לניתוק של כבלי אותות.
- לעולם אל תפעילו ציוד כלשהו כאשר יש עדות לנזק מבני או לנזק כתוצאה מאש או ממים.
- נתקו את כבלי החשמל, מערכות התקשורת, התקני הרשת והמודמים המחוברים לפני פתיחת כיסויי ההתקן, אלא אם הליכי ההתקנה וקביעת התצורה מורים אחרת.
- בעת התקנה, העברה או פתיחת כיסויים במוצר זה או בהתקנים המחוברים, חברו ונתקו את הכבלים כמתואר בטבלה שלהלן.

כדי לחבר	כדי לנתק
1. כבו הכל.	1. כבו הכל.
2. ראשית, חברו את כל הכבלים להתקנים.	2. ראשית, נתקו את כבלי החשמל מהשקעים.
3. חברו את כבלי האותות למחברים.	3. נתקו את כבלי האותות מהמחברים.
4. חברו את כבלי החשמל לשקעים.	4. הסירו את כל הכבלים מההתקנים.
5. הפעילו את ההתקן.	



זהירות:

בעת החלפת סוללת הליתיום, השתמשו רק בסוללה בעלת מק"ט 33F8354 או בסוג תואם שהומלץ על ידי היצרן. אם המערכת כוללת מודול המכיל סוללת ליתיום, החליפו אותו רק במודול מאותו סוג ומתוצרת אותו יצרן. הסוללה מכילה ליתיום, ועלולה להתפוצץ אם לא משתמשים ומטפלים בה או משליכים אותה כראוי.

לעולם:

- אל תטבלו במים

- אל תחממו לטמפרטורה הגבוהה מ-100°C (212°F)

- אל תתקנו או תפרקו

השליכו את הסוללה כנדרש לפי התקנות והחוקים המקומיים.



זהירות:

בעת התקנת מוצרי לייזר (כגון כונני תקליטורים ו-DVD, התקני סיב אופטי או משדרים), שימו לב לאזהרות הבאות:

- אל תסירו את הכיסויים. הסרת הכיסויים של מוצר הלייזר עלולה לגרום לחשיפה לקרינת לייזר מסוכנת. אין חלקים ברי טיפול בתוך ההתקן.

- שינויים, שימוש בבקרות או ביצוע הליכים אחרים מאלה המתוארים כאן, עלולים לגרום לחשיפה לקרינה מסוכנת.



סכנה

מוצרי לייזר מסוימים מכילים דיודת לייזר מסוג Class 3A או Class 3B. שימו לב לאזהרה הבאה:

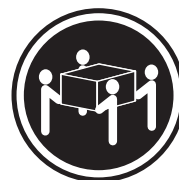
כאשר הוא פתוח, המוצר פולט קרינת לייזר. אל תביטו ישירות בקרן, אל תביטו ישירות בעזרת ציוד אופטי, והימנעו מחשיפה לקרן.



≤ 18 ק"ג (37 ליב')



≤ 32 ק"ג (70.5 ליב')

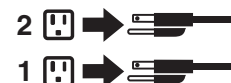


≤ 55 ק"ג (121.2 ליב')

זהירות:  
השתמשו בהליכים  
הנאותים בעת  
הרמת הציוד.



זהירות:  
לחצן ההפעלה של ההתקן ומתג ההפעלה של ספק החשמל אינם מפסיקים את זרם החשמל המסופק להתקן.  
בנוסף, ההתקן עשוי לכלול יותר מכבל חשמל אחד. כדי לסלק את כל הזרם החשמלי מההתקן,  
ודאו שכל כבלי החשמל מנותקים ממקור החשמל.





## PERICOLO

La corrente elettrica proveniente dai cavi di alimentazione, del telefono e di comunicazione può essere pericolosa.

**Per evitare il rischio di scosse elettriche:**

- **Non collegare o scollegare qualsiasi cavo oppure effettuare l'installazione, la manutenzione o la riconfigurazione del prodotto durante un temporale.**
- **Collegare tutti i fili elettrici a una presa di alimentazione correttamente cablata e dotata di messa a terra.**
- **Collegare alle prese elettriche appropriate tutte le apparecchiature che verranno utilizzate per questo prodotto.**
- **Se possibile, utilizzare solo una mano per collegare o scollegare i cavi di segnale.**
- **Non accendere assolutamente apparecchiature in presenza di incendi, perdite d'acqua o danno strutturale.**
- **Scollegare i cavi di alimentazione, i sistemi di telecomunicazione, le reti e il modem prima di aprire i coperchi del dispositivo, salvo istruzioni contrarie relative alle procedure di installazione e configurazione.**
- **Collegare e scollegare i cavi come descritto nella seguente tabella quando vengono effettuate operazioni di installazione, spostamento o apertura dei coperchi di questo prodotto o delle unità collegate.**

Per collegarsi	Per scollegarsi
1. <b>SPEGNERE</b> le apparecchiature.	1. <b>SPEGNERE</b> le apparecchiature.
2. Innanzitutto, collegare tutti i cavi alle unità.	2. Innanzitutto, rimuovere i cavi di alimentazione dalla presa.
3. Collegare i cavi di segnale ai connettori.	3. Rimuovere i cavi di segnale dai connettori.
4. Collegare i cavi di alimentazione alla presa.	4. Rimuovere tutti i cavi dalle unità.
5. Accendere l'unità.	



#### ATTENZIONE:

Quando si sostituisce la batteria al litio, utilizzare solo il Numero parte 33F8354 o un tipo di batteria equivalente consigliato dal produttore. Se sul sistema è presente un modulo che contiene una batteria al litio, sostituirlo solo con un tipo di modulo dello stesso tipo della stessa casa di produzione. La batteria contiene litio e può esplodere se usata, maneggiata o smaltita in modo non corretto.

*Non:*

- Gettare o immergere la batteria nell'acqua
- Riscaldarla ad una temperatura superiore ai 100 gradi C (212 gradi F)
- Smontarla, ricaricarla o tentare di ripararla

Le batterie usate vanno smaltite in accordo alla normativa in vigore (DPR 915/82 e successive disposizioni e disposizioni locali)



#### ATTENZIONE:

Quando vengono installati prodotti laser (quali CD-ROM, unità DVD-ROM, unità a fibre ottiche o trasmettenti), tener presente quanto segue:

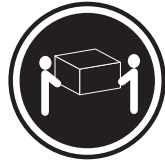
- Non rimuovere gli sportelli. L'apertura di un'unità laser può determinare l'esposizione a radiazioni laser pericolose. All'interno dell'unità non vi sono parti su cui effettuare l'assistenza tecnica.
- L'utilizzo di controlli, regolazioni o l'esecuzione di procedure non descritti nel presente manuale possono provocare l'esposizione a radiazioni pericolose.



#### PERICOLO

Alcune unità laser contengono un diodo laser di Classe 3A o Classe 3B. Tener presente quanto segue:

Aperto l'unità vengono emesse radiazioni laser. Non fissare il fascio, non guardarlo direttamente con strumenti ottici ed evitare l'esposizione al fascio.



≥18 kg



≥32 kg



≥55 kg

**ATTENZIONE:**

**Prestare attenzione nel sollevare l'apparecchiatura.**



**ATTENZIONE:**

**Il pulsante di controllo dell'alimentazione presente sull'unità e l'interruttore dell'alimentatore non disattivano l'alimentazione corrente fornita all'unità. E' possibile che l'unità disponga di più cavi di alimentazione. Per disattivare l'alimentazione dall'unità, accertarsi che tutti i cavi di alimentazione siano scollegati dalla fonte di alimentazione.**





**위험**

전원, 전화, 통신 케이블의 전류는 위험합니다.

감전의 위험을 피하려면 다음과 같이 하십시오.

- 번개가 치는 날에는 케이블을 연결 또는 분리하거나 본 제품을 설치, 보수, 재구성하지 마십시오.
- 모든 전원 코드는 올바르게 접지된 전기 콘센트에 연결하십시오.
- 본 제품에 연결될 장치는 올바르게 배선된 콘센트에 연결하십시오.
- 신호 케이블을 연결 또는 분리할 때 가능하면 한 손만을 사용하십시오.
- 불 또는 물로 인한 손상이나 구조적인 손상이 있을 경우 장치의 전원을 절대 켜지 마십시오.
- 설치 및 구성 과정에 별도의 지시 사항이 없는 경우, 장치의 덮개를 열기 전에 연결된 전원 코드, 원격 통신 시스템, 네트워크, 모뎀을 분리하십시오.
- 본 제품이나 연결된 장치를 설치, 이동하거나 덮개를 열 때 다음 표와 같은 순서로 케이블을 연결하거나 분리하십시오.

연결할 때:	분리할 때:
<ol style="list-style-type: none"> <li>1. 모든 장치의 전원을 끄십시오.</li> <li>2. 먼저 모든 케이블을 장치에 연결하십시오.</li> <li>3. 커넥터에 신호 케이블을 연결하십시오.</li> <li>4. 콘센트에 전원 코드를 연결하십시오.</li> <li>5. 장치의 전원을 켜십시오.</li> </ol>	<ol style="list-style-type: none"> <li>1. 모든 장치의 전원을 끄십시오.</li> <li>2. 먼저 콘센트에서 전원 코드를 분리하십시오.</li> <li>3. 커넥터에서 신호 케이블을 분리하십시오.</li> <li>4. 장치에서 모든 케이블을 분리하십시오.</li> </ol>



**주의:**

배터리를 교환할 때는 Part Number 33F8354 또는 제조업체에서 지정한 동일한 종류의 제품을 사용하십시오. 사용자의 시스템이 리튬 배터리를 포함하는 모듈일 경우, 동일한 제조업체에서 동일한 모듈 유형으로 생산된 제품으로 교체하십시오. 배터리에는 리튬이 함유되어 있어 잘못 사용, 취급 또는 폐기할 경우 폭발의 위험이 있습니다.

사고를 방지하려면 다음 사항을 준수하십시오.

- 배터리를 물 속에 던지거나 침수시키지 마십시오.
- 100℃(212°F) 이상 가열하지 마십시오.
- 수리하거나 분해하지 마십시오.

배터리를 폐기할 때는 법령 또는 회사의 안전 수칙에 따라 폐기하십시오.





주의:

CD-ROM, DVD-ROM 장치, 광섬유 장치 또는 송신 장치와 같은 레이저 제품을 설치할 때, 다음과 같은 취급 주의사항을 참고하십시오.

- 덮개를 열지 마십시오. 덮개를 열면 레이저 복사 에너지에 노출될 위험이 있습니다. 장치 내부에는 사용자가 조정하거나 수리할 수 있는 부품이 없습니다.
- 규정된 것 이외의 절차 수행, 제어 조정 등의 행위로 인해 해로운 레이저 복사에 노출될 수 있습니다.



위험

일부 장비에는 임베디드 클래스 3A 또는 클래스 3B 레이저 다이오드가 있습니다. 다음 주의사항에 유의하십시오.

드라이브가 열리면 레이저 복사 에너지가 방출됩니다. 광선이 눈에 직접 쏘이지 않도록 하십시오. 나안 또는 광학 기구를 착용한 상태에서 광선을 직접 바라보지 않도록 하십시오.



≥ 18 kg (37 lbs)



≥ 32 kg (70.5 lbs)



≥ 55 kg (121.2 lbs)

주의:

제품을 들어 올릴 때  
안전 규제를 따르십시오.



주의:

장치의 전원 제어 버튼 및 전원 공급 장치의 전원 스위치를 사용하여 장치에 공급되는 전기를 차단하지 마십시오. 장치는 둘 이상의 코드를 가지고 있을 수 있습니다. 장치에서 모든 전원을 차단하려면 콘센트에서 코드가 모두 분리되어 있는지 확인하십시오.





## PELIGRO

La corriente eléctrica procedente de cables de alimentación, teléfonos y cables de comunicación puede ser peligrosa.

Para evitar el riesgo de descarga eléctrica:

- No conecte ni desconecte los cables ni realice ninguna tarea de instalación, mantenimiento o reconfiguración de este producto durante una tormenta eléctrica.
- Conecte todos los cables de alimentación a tomas de corriente debidamente cableadas y conectadas a tierra.
- Cualquier equipo que se conecte a este producto también debe conectarse a tomas de corriente debidamente cableadas.
- Siempre que sea posible, utilice una sola mano para conectar o desconectar los cables de señal.
- No encienda nunca un equipo cuando hay señales de fuego, agua o daños estructurales.
- Desconecte los cables de alimentación, los sistemas de telecomunicaciones, las redes y los módems conectados antes de abrir las cubiertas de los dispositivos, a menos que se indique lo contrario en los procedimientos de instalación y configuración.
- Conecte y desconecte los cables, como se describe en la tabla siguiente, cuando instale, mueva o abra las cubiertas de este producto o de los dispositivos conectados.

Para conectar	Para desconectar
<ol style="list-style-type: none"><li>1. APÁGUELO todo.</li><li>2. En primer lugar, conecte todos los cables a los dispositivos.</li><li>3. Conecte los cables de señal a los conectores.</li><li>4. Enchufe los cables de alimentación a las tomas de corriente.</li><li>5. Encienda el dispositivo.</li></ol>	<ol style="list-style-type: none"><li>1. APÁGUELO todo.</li><li>2. En primer lugar, desenchufe los cables de alimentación de las tomas de corriente.</li><li>3. Desconecte los cables de señal de los conectores.</li><li>4. Desconecte todos los cables de los dispositivos.</li></ol>



#### PRECAUCIÓN:

Cuando sustituya una batería de litio, utilice solamente una batería número de pieza 33F8354 u otra de tipo equivalente recomendada por el fabricante. Si su sistema dispone de un módulo que contiene una batería de litio, reemplácelo sólo con el mismo tipo de módulo, del mismo fabricante. La batería contiene litio y puede explotar si no se utiliza, manipula o desecha correctamente.

*No debe:*

- Arrojarla al agua o sumergirla en ella
- Exponerla a temperaturas superiores a 100°C (212°F)
- Repararla o desmontarla

Deshágase de la batería según especifiquen las leyes o normas locales.



#### PRECAUCIÓN:

Cuando haya productos láser (como unidades de CD-ROM, unidades de DVD, dispositivos de fibra óptica o transmisores) instalados, tenga en cuenta lo siguiente:

- No quite las cubiertas. Si quita las cubiertas del producto láser, podría quedar expuesto a radiación láser peligrosa. Dentro del dispositivo no existe ninguna pieza que requiera servicio técnico.
- Si usa controles o ajustes o realiza procedimientos que no sean los especificados aquí, podría exponerse a radiaciones peligrosas.



#### PELIGRO

Algunos productos láser tienen incorporado un diodo láser de clase 3A o clase 3B. Tenga en cuenta lo siguiente:

Cuando se abre, queda expuesto a radiación láser. No mire directamente al rayo láser, ni siquiera con instrumentos ópticos, y evite exponerse directamente al rayo láser.



≥18 kg



≥32 kg



≥55 kg

**PRECAUCIÓN:**

Adopte procedimientos seguros al levantar el equipo.



**PRECAUCIÓN:**

El botón de control de alimentación del dispositivo y el interruptor de alimentación de la fuente de alimentación no desconectan la corriente eléctrica suministrada al dispositivo. Además, el dispositivo podría tener más de un cable de alimentación. Para suprimir toda la corriente eléctrica del dispositivo, asegúrese de que todos los cables de alimentación estén desconectados de la toma de corriente.



---

## Chapter 3. General information

This chapter provides general information that applies to all machine types supported by this publication.

---

### The ThinkVantage™ Productivity Center program

Use the ThinkVantage Productivity Center program for general information about the use, operation, and maintenance of the computer. The ThinkVantage Productivity Center program also contains information to help solve problems and get repair service or other technical assistance. The ThinkVantage Productivity Center program is preinstalled on most ThinkCentre products.

---

### Additional information resources

If you have Internet access, the most up-to-date information for your computer is available from the World Wide Web.

You can find the following information:

- FRU and CRU removal and installation instructions
- Publications
- Troubleshooting information
- Parts information
- Downloads and drivers
- Links to other useful sources of information

To access this information, point your browser to <http://www.lenovo.com/think/support/>.

---

### Physical specifications

This section details the physical specifications for each computer Type.

## Types 8289, 8298, 8328, 8341, 8344, and 8382

This section lists the physical specifications.

<p><b>Dimensions</b></p> <p>Width: 310 mm (12.2 in.) Height: 85 mm (3.35 in.) Depth: 358 mm (14.1 in.)</p> <p><b>Weight</b></p> <p>Minimum configuration as shipped: 7.3 kg (16 lbs) Maximum configuration: 8.5 kg (18.7 lbs)</p> <p><b>Environment</b></p> <p>Air temperature: Operating at 0 - 3000 ft (914.4 m): 10° to 35°C (50° to 95°F) Operating at 3000 ft - 7000 ft (2134 m): 10° to 32°C (50° to 89.6°F) Non-operating: 10° to 43°C (50° to 110°F)</p> <p>Humidity: Operating: 8% to 80% Non-operating: 8% to 80% Transit: 8% to 90%</p> <p>Maximum altitude: 7000 ft (2133.6 m)</p> <p><b>Electrical input</b></p> <p>Input voltage: Low range: Minimum: 100 V ac Maximum: 127 V ac Input frequency: 50/60 Hz Voltage switch setting: 115 V ac High range: Minimum: 200 V ac Maximum: 240V ac Input frequency: 50/60 Hz Voltage switch setting: 230 V ac Input kilovolt-amperes (kVA) (approximate): Minimum configuration as shipped: 0.10 kVA Maximum configuration: 0.24 kVA</p>	<p><b>Heat output</b> (approximate) in British thermal units (Btu) per hour: Minimum configuration: 239 Btu/hr (70 watts) Maximum configuration: 768 Btu/hr (225 watts)</p> <p><b>Airflow</b></p> <p>Approximately 45 cubic meters (16 cubic feet) per minute maximum</p> <p><b>Acoustical Noise Emissions</b></p> <p><b>Declared Sound Power Levels</b> Idle: 4.0 bels Operating: 4.3 bels</p> <p><b>Average sound-pressure levels</b></p> <p><b>At operator position - 0.5 meters (1.65 ft)</b> Idle: 29 dBA Operating: 34 dBA</p> <p><b>At bystander position - 1 meter (3.3 ft)</b> Idle: 26 dBA Operating: 29 dBA</p> <p><b>Note:</b> These levels were measured in controlled acoustical environments according to the procedures specified by the American National Standards Institute (ANSI) S12.10 and ISO 7779 and are reported in accordance with ISO 9296. Actual sound-pressure levels in a given location might exceed the average values stated because of room reflections and other nearby noise sources. The declared sound-power levels indicate an upper limit, below which a large number of computers will operate.</p>
--	--

# Types 8287, 8296, 8299, 8327, 8340, 8343, and 8381

This section lists the physical specifications.

<p><b>Dimensions</b></p> <p>Height: 432 mm (17.0 in.)  Width: 178 mm (7.0 in.)  Depth: 450 mm (17.7 in.)</p> <p><b>Weight</b></p> <p>Minimum configuration: 10.5 kg (23 lb)  Maximum configuration: 13.5 kg (30 lb)</p> <p><b>Environment</b></p> <p>Air temperature:  System on: 10° to 35°C (50° to 95° F)  System off: 10° to 60°C (50° to 140° F)  Maximum altitude: 914 m (3000 ft)  <b>Note:</b> The maximum altitude, 914 m (3000 ft), is the maximum altitude at which the specified air temperatures apply. At higher altitudes, the maximum air temperatures are lower than those specified.</p> <p>Humidity:  System on: 10% to 80%  System off: 10% to 90%</p> <p><b>Electrical input</b></p> <p>Input voltage:  Low range:  Minimum: 100 V ac  Maximum: 127 V ac  Input frequency: 50/60 Hz  Voltage switch setting: 115 V ac  High range:  Minimum: 200 V ac  Maximum: 240 V ac  Input frequency: 50/60 Hz  Voltage switch setting: 230 V ac</p> <p>Input kilovolt-amperes (kVA) (approximate):  Minimum configuration as shipped: 0.09 kVA  Maximum configuration: 0.32 kVA</p> <p><b>Note:</b> Power consumption and heat output vary depending on the number and type of optional features installed and the power-management optional features in use.</p>	<p><b>Heat output</b> (approximate) in British thermal units (Btu) per hour:  Minimum configuration: 256 Btu/hr (75 watts)  Maximum configuration: 1058 Btu/hr (310 watts)</p> <p><b>Airflow</b></p> <p>Approximately 1.13 cubic meters per minute (40 cubic feet per minute) maximum</p> <p><b>Acoustical Noise Emissions</b></p> <p><b>Declared Sound Power Levels</b>  Idle: 4.0 bels  Operating: 4.3 bels</p> <p><b>Average sound-pressure levels</b></p> <p><b>At operator position - 0.5 meters (1.65 ft)</b>  Idle: 29 dBA  Operating: 33 dBA</p> <p><b>At bystander position - 1 meter (3.3 ft)</b>  Idle: 25 dBA  Operating: 30 dBA</p> <p><b>Note:</b> These levels were measured in controlled acoustical environments according to the procedures specified by the American National Standards Institute (ANSI) S12.10 and ISO 7779 and are reported in accordance with ISO 9296. Actual sound-pressure levels in a given location might exceed the average values stated because of room reflections and other nearby noise sources. The declared sound-power levels indicate an upper limit, below which a large number of computers will operate.</p>
--	--

## Types 8288, 8297, 8326, 8329, 8342, and 8380

This section lists the physical specifications.

<p><b>Dimensions</b></p> <p>Height: 400 mm (15.7 in.) Width: 175 mm (6.9 in.) Depth: 432 mm (17.0 in.)</p> <p><b>Weight</b></p> <p>Minimum configuration: 8.17 kg (18 lb) Maximum configuration: 10.21 kg (22.5 lb)</p> <p><b>Environment</b></p> <p>Air temperature: System on: 10° to 35°C (50° to 95° F) System off: 10° to 60°C (50° to 140° F) Maximum altitude: 914 m (3000 ft) <b>Note:</b> The maximum altitude, 914 m (3000 ft), is the maximum altitude at which the specified air temperatures apply. At higher altitudes, the maximum air temperatures are lower than those specified.</p> <p>Humidity: System on: 10% to 80% System off: 10% to 90%</p> <p><b>Electrical input</b></p> <p>Input voltage: Low range: Minimum: 100 V ac Maximum: 127 V ac Input frequency: 50/60 Hz Voltage switch setting: 115 V ac High range: Minimum: 200 V ac Maximum: 240 V ac Input frequency: 50/60 Hz Voltage switch setting: 230 V ac</p> <p>Input kilovolt-amperes (kVA) (approximate): Minimum configuration as shipped: 0.10 kVA Maximum configuration: 0.26 kVA</p> <p><b>Note:</b> Power consumption and heat output vary depending on the number and type of optional features installed and the power-management optional features in use.</p>	<p><b>Heat output</b> (approximate) in British thermal units (Btu) per hour: Minimum configuration: 246 Btu/hr (76 watts) Maximum configuration: 785 Btu/hr (230 watts)</p> <p><b>Airflow</b></p> <p>Approximately 2.45 cubic meters (66 cubic feet per minute) maximum</p> <p><b>Acoustical noise-emission values</b></p> <p>Average sound-pressure levels: At operator position: Idle: 31 dBA Operating: 35 dBA At bystander position - 1 meter (3.3 ft): Idle: 28 dBA Operating: 32 dBA</p> <p>Declared (upper limit) sound-power levels: Idle: 4.1 bels Operating: 4.4 bels</p> <p><b>Note:</b> These levels were measured in controlled acoustical environments according to the procedures specified by the American National Standards Institute (ANSI) S12.10 and ISO 7779 and are reported in accordance with ISO 9296. Actual sound-pressure levels in a given location might exceed the average values stated because of room reflections and other nearby noise sources. The declared sound-power levels indicate an upper limit, below which a large number of computers will operate.</p>
--	---



---

## Chapter 4. General Checkout

### Attention

The drives in the computer you are servicing might have been rearranged or the drive startup sequence changed. Be extremely careful during write operations such as copying, saving, or formatting. Data or programs can be overwritten if you select an incorrect drive.

General error messages appear if a problem or conflict is found by an application program, the operating system, or both. For an explanation of these messages, refer to the information supplied with that software package.

### Notes:

- The default is for this computer to boot up in quiet mode (no beep, no memory count and checkpoint code display) when no errors are detected by POST.
- To enable beep, memory count, and checkpoint code display when a successful POST occurs, do the following:
  1. Start the Setup Utility program. See “Starting the Setup Utility program” on page 53.
  2. Select **Start Options**.
  3. Set **Power-On Self-Test** to **Enhanced**.
- Before replacing any FRUs, ensure that the latest level of BIOS is installed on the system. A down-level BIOS might cause false errors and unnecessary replacement of the system board. For more information on how to determine and obtain the latest level BIOS, see “BIOS levels” on page 260.

Use the following procedure to help determine the cause of the problem:

1. Power-off the computer and all external devices.
2. Check all cables and power cords.
3. Set all display controls to the middle position.
4. Power-on all external devices.
5. Power-on the computer.
  - Look for displayed error codes
  - Listen for beep codes
  - Look for readable instructions or a main menu on the display.If you **did not** receive the correct response, proceed to step 6.  
If you **do** receive the correct response, proceed to step 8 on page 44.
6. Look at the following conditions and follow the instructions:
  - If you hear beep codes during POST, go to “Beep symptoms” on page 80.
  - If the computer displays a POST error, go to “POST error codes” on page 83.
  - If the computer hangs and no error is displayed, continue at step 7.
7. There are three LEDs to help you determine if the power supply and system board are working correctly. A power button LED is located on the front of the computer and two diagnostic LEDs are located on the power supply at the rear of the computer.
  - a. Disconnect the power cord from the electrical outlet.
  - b. Reconnect the power cord to a working electrical outlet.
  - c. Press the power button.

d. Observe the LEDs and refer to the following table.

Power LED	Green diagnostic LED	Yellow diagnostic LED	Action
ON	ON	OFF	This is the normal condition of the LEDs when the power is OK.
OFF	OFF	OFF	Make sure the power cord is attached to a working electrical outlet.  If the electrical outlet is OK, replace the power supply.
OFF (after the power button has been pressed)	ON	OFF	Replace the system board
ON	ON	ON	Replace the power supply

If the Diagnostic LEDs are in the normal condition and the problem persists, replace the system board and the microprocessor, one at a time, until the computer works correctly.

8. Run the Diagnostic programs. See Chapter 5, "Diagnostics using PC-Doctor for DOS," on page 47.
  - If you receive an error, replace the part that the diagnostic program calls out or go to "Diagnostic error codes" on page 59.
  - If the test stops and you cannot continue, replace the last device tested.

---

## Problem determination tips

Due to the variety of hardware and software combinations that can be encountered, use the following information to assist you in problem determination. If possible, have this information available when requesting assistance from Service Support and Engineering functions.

- Machine type and model
- Processor or hard disk upgrades
- Failure symptom
  - Do diagnostics indicate a failure?
  - What, when, where, single, or multiple systems?
  - Is the failure repeatable?
  - Has this configuration ever worked?
  - If it has been working, what changes were made prior to it failing?
  - Is this the original reported failure?
- Diagnostics version
  - Type and version level
- Hardware configuration
  - Print (print screen) configuration currently in use
  - BIOS level
- Operating system software
  - Type and version level

**Note:** To eliminate confusion, identical systems are considered identical only if they:

1. Are the exact machine type and models
2. Have the same BIOS level
3. Have the same adapters/attachments in the same locations
4. Have the same address jumpers/terminators/cabling
5. Have the same software versions and levels
6. Have the same Diagnostics Diskette (version)
7. Have the same configuration options set in the system
8. Have the same setup for the operation system control files

Comparing the configuration and software set-up between "working and non-working" systems will often lead to problem resolution.



---

## Chapter 5. Diagnostics using PC-Doctor for DOS

Diagnostics are provided by the PC-Doctor program for DOS. These include a full range of diagnostic utilities to determine the operating condition of the computer's hardware components.

You can run diagnostics from the Rescue and Recovery™ workspace or you can create a bootable diagnostic diskette from the Rescue and Recovery workspace. Alternatively, you can download either a diskette image or a startable CD-ROM image (.iso file) from the Customer Support Web site and run diagnostics using them.

The latest version of the diagnostics program is available from <http://www.lenovo.com/think/support> on the World Wide Web. Type your machine type into the **Use Quick path** field and click **Go** to find the downloadable files that are specific to the computer. See "Diagnostics program download" on page 48.

Diagnostic error messages appear when a test program finds a problem with a hardware option. For the test programs to properly determine if a test *Passed*, *Failed* or *Aborted*, the test programs check the error-return code at test completion. See "Diagnostic error codes" on page 59.

If an installed device is not recognized by the diagnostics program, that device might be defective.

---

### Starting PC-Doctor from the Rescue and Recovery workspace

This procedure describes how to start PC-Doctor from the Rescue and Recovery workspace.

1. If your computer is already on when you start this procedure, shut down the operating system and turn off the computer.
2. To launch the Rescue and Recovery workspace, repeatedly press the F11 key as you turn on the computer.

**Note:** If a user password or an administrator password has been set, the Rescue and Recovery workspace is not displayed until you type the password.

3. When the Rescue and Recovery workspace is displayed, look for "Troubleshoot" on the left side of the screen. Click **Diagnose hardware**.

**Notes:**

- a. Additional diagnostic information is available from the Rescue and Recovery workspace, such as a diagnostic overview. Refer to the Rescue and Recovery help system for details.
- b. After selecting Diagnose hardware, make sure the computer is restarted using the restart button on the Rescue and Recovery workspace. Do not use the power switch to start the reboot.
- c. You can also create a set of diagnostic disks from the Rescue and Recovery workspace by clicking **Create diagnostic disks** from the Rescue and Recovery menu.

---

## Starting PC-Doctor from a diagnostic diskette or CD-ROM

**Note:** If your computer has no internal diskette drive, an external USB diskette drive is required when using the diagnostic diskette.

1. If your computer is already on when you start this procedure, shut down the operating system and turn off the computer.
2. Insert the diskette or CD-ROM in the appropriate drive.
3. Turn on the computer.

**Note:** If the PC-Doctor program fails to start, make sure that the startup device sequence is configured to allow startup from the diskette or CD-ROM drive. See "Selecting a startup device" on page 55.

---

## Diagnostics program download

If you have access to the internet, you can download a diskette image or a startable CD-ROM image (.iso file) of the diagnostics.

To download the latest diagnostics program from the WWW, do the following:

- Go to <http://www.lenovo.com/think/support>.
- Type the machine type in the "Use Quick Path" field and click **Go**.
- Click **Downloads and drivers** and scroll down to locate the Enhanced diagnostics.

---

## Navigating through the diagnostics programs

Use the cursor movement keys to navigate within the menus.

- The **Enter** key is used to select a menu item.
- The **Esc** key is used to back up to the previous menu.
- For online help select **F1**.

---

## Running diagnostics tests

There are four ways to run the diagnostic tests.

- Using the cursor movement keys, highlight **Run Normal Test** or **Run Quick Test** from the Diagnostics menu and then press **Enter**.

This automatically runs a pre-defined group of tests from each test category.

**Run Normal Test** runs a more extensive set of tests than does **Run Quick Test** and takes longer to complete.

- Press **F5** to automatically run all selected tests in all categories. See "Test selection" on page 49.
- From within a test category, press **Ctrl-Enter** to automatically run only the selected tests in that category. See "Test selection" on page 49.
- Using the cursor movement keys, highlight a single test within a test category, and then press **Enter**. This runs only that test.

Press **Esc** at any time to stop the testing process.

Test results (N/A, PASSED, FAILED, ABORTED) are displayed in the field beside the test description and in the test log. See "Viewing the test log" on page 52.

## Test selection

To select one or more tests, use the following procedure.

1. Open the corresponding test category.
2. Using the cursor movement keys, highlight the desired test.
3. Press the space bar.  
A selected test is marked by >>. Pressing the space bar again de-selects a test and removes the >>.
4. Repeat steps 2 and 3 above to select all desired tests.

## Test results

Diagnostics test results produce the following error code format:

Function Code	Failure Type	DeviceID	Date	ChkDigits	Text
---------------	--------------	----------	------	-----------	------

- **Function Code:**  
Represents the feature or function within the PC.
- **Failure Type:**  
Represents the type of error encountered.
- **DeviceID:**  
Contains the component's unit-ID which corresponds to either a fixed disk drive, removable media drive, serial or parallel port, processor, specific RIMM, or a device on the PCI bus.
- **Date:**  
Contains the date when the diagnostic test was run. The date is retrieved from CMOS and displayed using the YYYYMMDD format.
- **ChkDigits:**  
Contains a 2-digit check-digit value to ensure the following:
  - Diagnostics were run on the specified date.
  - Diagnostics were run on the specified computer.
  - The diagnostic error code is recorded correctly.
- **Text:**  
Description of the error.

**Note:** See "Diagnostic error codes" on page 59 for error code listings.

## Fixed disk advanced test (FDAT)

PC-Doctor Fixed-Disk<sup>1</sup> Advanced Test module (FDAT) is a full-featured highly configurable fixed-disk test suite. The configurable capabilities of FDAT allow users to enable or disable specific tests, enable or disable testing features, control the test log detail, alter testing parameters, and so on. FDAT tests for and reports most commonly found errors on a fixed-disk drive and is able to test up to 128 SCSI and 4 IDE drives (up to 132 total drives)

Drive information is gathered through FDAT's enumeration of available devices and user specific configuration parameters located in the FDAT.INI. FDAT uses information supplied by these features to indicate specifically what devices are

---

1. The terms fixed disk and hard disk are used interchangeably.

available for test, what tests are available for the device, device properties, and so on. To change testing parameters, you modify the FDAT.INI file in PC Doctor for DOS.

FDAT consists of the following subtests and features.

**Fixed-Disk Tests:**

- *Seek Tests:* - checks the physical operation of the drive head.
  - Linear Seek
  - Random Seek
  - Min-Max Seek
  - Butterfly Seek
- *Verify Tests:* - checks the integrity of the data present on the media.
  - Linear Verify
  - Random Verify
- *Surface Scan Tests:* - checks the drive media for defects.
  - Surface Scan (Linear)
  - Surface Scan (Aggressive) - this is disabled for normal customer use.
  - Surface Scan (Random)
- Self-monitoring, Analysis and Reporting Technology (SMART) - checks the SMART functionality for drives that support SMART.
  - Start SMART Self-Test

**Other Test Features:**

- *Write-Splice Repair* - detects and corrects Error Correction Code errors during Verify tests.
- *Auto Spin Down* - a gradual spin down of the drive platters to avoid damaging the media.
- *Manufacturer Log* - an in-depth manufacturer supported log of errors on the drive.

**Multitasking:**

To allow simultaneous testing of multiple hard drives whenever possible, the FDAT module is written as a set of multitasking functions. Each drive under test can run the same test or run a different test at the same time. Each subtest is written to handle a single test pass and all test variables are kept track of in a structure unique for each drive.

However, when testing IDE drives, FDAT will not perform simultaneous testing of IDE drives that are attached to the same IDE cable. For example, if FDAT is testing four IDE drives on a PC, it will perform simultaneous testing on drives 1 and 3 first (master drives), then perform tests on 2 and 4 (slave drives) FDAT will also perform simultaneous testing on a master and slave that are on separate IDE cables, but will not perform simultaneous tests on a master and slave on the same IDE cable. This generally increases the amount of time needed to test multiple IDE drives.

Another limitation of FDAT'S multitasking capability is the use of Ultra DMA (UDMA) Only one drive at a time can access the UDMA channel and the UDMA



channel buffer must be kept high in order to maintain a speed advantage over other data transfer modes. In order to use the UDMA channel during testing, users must disable the multitasking feature.

#### **Destructive versus non-destructive testing:**

Most of the tests found in FDAT are non-destructive. This means that PC-Doctor program will preserve any data that is present on the tested media prior to beginning any destructive operations (such as write operations) However, users can run certain tests in destructive mode (i.e. surface scan tests) Destructive tests will speed up testing because FDAT does not preserve the data on the media prior to the test beginning. Unlike non-destructive tests, any data present on the media prior to the test beginning is lost.

FDAT allows for enabling or disabling destructive tests, as well as specifying a range of destructive and non-destructive sectors on the tested drive. This is done through the configuration of the FDAT.INI. If destructive and non-destructive ranges somehow overlap, then the overlapped area is considered non-destructive. For example, if users specify both destructive and non-destructive ranges as the same, then the entire drive is tested as non-destructive.

### **Quick and Full erase - hard drive**

The diagnostics program offers two hard drive format utilities:

- Quick Erase Hard Drive
- Full Erase Hard Drive

The Quick Erase Hard Drive provides a DOS utility that performs the following:

- Destroys the Master Boot Record (MBR) on the hard drive.
- Destroys all copies of the FAT Table on all partitions (both the master and backup)
- Destroys the partition table.
- Provides messages that warn the user that this is a non-recoverable process.

The Full Erase Hard Drive provides a DOS utility that performs the following:

- Performs all the steps in Quick Erase.
- Provides a DOS utility that writes random data to all sectors of the hard drive.
- Provides an estimate of time to completion along with a visual representation of completion status.
- Provides messages that warn the user about non-recoverable process.

<b>Important:</b> Make sure that all data is backed up before using the Quick or Full Erase functions.
--

To select the Quick Erase or Full Erase Hard Drive utility, use the following procedure:

1. Select the UTILITY option on the toolbar and press **Enter**.
2. Select either the QUICK ERASE or FULL ERASE HARD DISK option and follow the instructions.

---

## Viewing the test log

Errors reported by the diagnostic test will be displayed by the program as a failed test.

To view details of a failure or to view a list of test results, use the following procedure from any test category screen:

1. Press **F3** to activate the log file.
2. Press **F3** again to save the file to diskette or press **F2** to print the file.

---

## Chapter 6. Using the Setup Utility

The Setup Utility program is stored in the electrically erasable programmable read-only memory (EEPROM) of the computer. The Setup Utility program is used to view and change the configuration settings of the computer, regardless of which operating system you are using. However, the operating-system settings might override any similar settings in the Setup Utility program.

---

### Starting the Setup Utility program

To start the Setup Utility program, do the following:

1. If your computer is already on when you start this procedure, shut down the operating system and turn off the computer.
2. Repeatedly press the F1 key as you turn on the computer.

**Notes:**

- a. If a password has been set, the Setup Utility program menu is not displayed until you type your password. See “Using passwords” for more information.
- b. BIOS settings cannot be changed without the correct password.
- c. The Setup Utility might start automatically when the power-on self-test (POST) detects that hardware has been removed or new hardware has been installed in your computer.

---

### Viewing and changing settings

The Setup Utility program menu lists items that identify system configuration topics.

When working with the Setup Utility program menu, you must use the keyboard. The keys used to perform various tasks are displayed at the bottom of each screen.

---

### Exiting from the Setup Utility program

When you finish viewing or changing settings, press Esc to return to the Setup Utility program menu (you might have to press Esc several times) If you want to save the new settings, press F10.

---

### Using passwords

By using the Setup Utility program, you can set passwords to prevent unauthorized persons from gaining access to your computer and data. The types of passwords used are:

- User Password
- Administrator Password

You do not have to set any passwords to use your computer. However, if you decide to set any passwords, read the following sections.

## User Password

When a User Password is set, the user is prompted to type a valid password each time the computer is turned on. The computer cannot be used until a valid password is typed from the keyboard.

## Administrator Password

Setting an Administrator Password deters unauthorized persons from changing configuration settings. If you are responsible for maintaining the settings of several computers, you might want to set an Administrator Password.

After you set an Administrator Password, a password prompt is displayed each time you try to access the Setup Utility program.

If both the user and administrator passwords are set, you can type either password. However, to change any configuration settings, you must use your administrator password.

## Setting, changing, and deleting a password

To set, change, or delete a password, do the following:

**Note:** A password can be any combination of up to seven characters (A- Z, a-z, and 0-9)

1. Start the Setup Utility program (see “Starting the Setup Utility program” on page 53)
2. From the Setup Utility program menu, select **Security**.
3. Select **Set Passwords**. Read the information displayed on the right side of the screen.

---

## Using Security Profile by Device

Security Profile by Device is used to enable or disable user access to the following devices:

<b>IDE controller</b>	When this feature is set to <b>Disable</b> , all devices connected to the IDE controller (such as hard disk drives or the CD-ROM drive) are disabled and will not be displayed in the system configuration.
<b>Diskette Drive Access</b>	When this feature is set to <b>Disable</b> , the diskette drive cannot be accessed.
<b>Diskette Write Protect</b>	When this feature is set to <b>Enable</b> , all diskettes are treated as if they are write-protected.

To set Security Profile by Device, do the following:

1. Start the Setup Utility program (see “Starting the Setup Utility program” on page 53)
2. From the Setup Utility program menu, select **Security**.
3. Select **Security Profile by Device**.
4. Select the desired devices and settings and press Enter.
5. Return to the Setup Utility program menu, select **Exit**, and then **Save Settings** or **Save and exit the Setup Utility**.

**Note:** If you do not want to save the settings, select **Exit the Setup Utility without saving**.

---

## Selecting a startup device

If the computer does not start up (boot) from a device such as the CD-ROM, diskette, or hard disk as expected, use one of the following procedures to select a startup device.

### Selecting a temporary startup device

Use this procedure to startup from any boot device.

**Note:** Not all CDs, hard disks, and diskettes are startable (bootable)

1. If your computer is already on when you start this procedure, shut down the operating system and turn off the computer.
2. To open the Startup Device Menu, repeatedly press the F12 key as you turn on the computer.

**Note:** Selecting a startup device from this list does not permanently change the startup sequence; it is valid for one boot cycle only.

### Changing the startup device sequence

To view or permanently change the configured startup device sequence, do the following:

1. Start the Setup Utility program (see “Starting the Setup Utility program” on page 53)
2. Select **Startup**.
3. Select **Startup Sequence**. See the information displayed on the right side of the screen.
4. Select the devices for the Primary Startup Sequence, the Automatic Startup Sequence, and the Error Startup Sequence.
5. Select **Exit** from the Setup Utility menu and then **Save Settings** or **Save and exit the Setup Utility**.

If you have changed these settings and want to return to the default settings, select **Load Default Settings** on the Exit menu.

---

## Advanced settings

On some computer models the Advanced settings menu includes a setting to Enable/Disable HyperThreading. This feature works only with HyperThreading-aware operating systems such as Microsoft® Windows® XP. The default setting for HyperThreading is Enabled. However, if you select **Set Defaults** and are using an operating system other than Windows XP, the computer performance might be degraded. Therefore, you should always set HyperThreading to Disabled unless you are sure your operating system supports HyperThreading.



---

## Chapter 7. Symptom-to-FRU Index

The Symptom-to-FRU index lists error symptoms and possible causes. The most likely cause is listed first. Always begin with Chapter 4, "General Checkout," on page 43. This index can also be used to help you decide which FRUs to have available when servicing a computer. If you are unable to correct the problem using this index, go to "Undetermined problems" on page 88.

**Notes:**

- If you have both an error message and an incorrect audio response, diagnose the error message first.
- If you cannot run the diagnostic tests or you get a diagnostic error code when running a test, but did receive a POST error message, diagnose the POST error message first.
- If you did not receive any error message, look for a description of your error symptoms in the first part of this index.
- Check the hard disk drive jumper settings before you replace a hard disk drive.

---

### Hard disk drive boot error

A hard disk drive boot error (error codes 1962 and I999030X) can have the following causes.

Error	FRU/Action
The start-up drive is not in the boot sequence in configuration.	Check the configuration and ensure the start-up drive is in the boot sequence.
No operating system installed on the boot drive.	Install an operating system on the boot drive.
The boot sector on the start-up drive is corrupted.	The drive must be formatted, do the following: <ol style="list-style-type: none"><li>1. Attempt to back-up the data on the failing hard disk drive.</li><li>2. Using the operating systems programs, format the hard disk drive.</li></ol>
The drive is defective.	Replace the hard disk drive.

---

### Power Supply Errors

If you suspect a power problem, use the following procedures.

Check/Verify	FRU/Action
Check the following for proper installation. <ul style="list-style-type: none"><li>• Power Cord</li><li>• On/Off Switch connector</li><li>• On/Off Switch Power Supply connector</li><li>• System Board Power Supply connectors</li><li>• Microprocessor(s) connection</li></ul>	Reseat connectors
Check the power cord for continuity.	Power Cord
Check the power-on switch for continuity.	Power-on Switch

1. Turn off the computer and disconnect all external devices.
2. Power-on the computer.
3. There are three LEDs to help you determine if the power supply and system board are working correctly. The power button LED is located on the front of the computer and the two diagnostic LEDs are located on the power supply at the rear of the computer. After pressing the power button, observe the LEDs and refer to the following table:

Power LED	Green diagnostic LED	Yellow diagnostic LED	Action
ON	ON	OFF	This is the normal condition of the LEDs when the power is OK.
OFF	OFF	OFF	<ul style="list-style-type: none"> <li>• Make sure the power cord is attached to a working electrical outlet.</li> <li>• Check the power cord for continuity.</li> <li>• If the problem persists, replace the power supply.</li> </ul>
OFF (after the power button has been pressed)	ON	OFF	Replace the system board
ON	ON	ON	Replace the power supply

If the Diagnostic LEDs are in the normal condition and the problem persists, replace the system board and the microprocessor, one at a time, until the computer works correctly.



## Diagnostic error codes

Refer to the following diagnostic error codes when using the diagnostic tests. See “Running diagnostics tests” on page 48 for the specific type for information about the Diagnostic programs.

In the following index, X can represent any number.

Diagnostic Error Code	FRU/Action
<b>000-000-XXX</b> BIOS Test Passed	<b>No action</b>
<b>000-002-XXX</b> BIOS Timeout	<ol style="list-style-type: none"> <li>1. <b>Flash the system. See “Flash update procedures” on page 260</b></li> <li>2. System board</li> </ol>
<b>000-024-XXX</b> BIOS Addressing test failure	<ol style="list-style-type: none"> <li>1. <b>Flash the system. See “Flash update procedures” on page 260</b></li> <li>2. System board</li> </ol>
<b>000-025-XXX</b> BIOS Checksum Value error	<ol style="list-style-type: none"> <li>1. <b>Flash the system. See “Flash update procedures” on page 260</b></li> <li>2. Boot block</li> <li>3. System board</li> </ol>
<b>000-026-XXX</b> FLASH data error	<ol style="list-style-type: none"> <li>1. <b>Flash the system. See “Flash update procedures” on page 260</b></li> <li>2. Boot block</li> <li>3. System board</li> </ol>
<b>000-027-XXX</b> BIOS Configuration/Setup error	<ol style="list-style-type: none"> <li>1. <b>Run Setup</b></li> <li>2. Flash the system. See “Flash update procedures” on page 260</li> <li>3. Boot block</li> <li>4. System board</li> </ol>
<b>000-034-XXX</b> BIOS Buffer Allocation failure	<ol style="list-style-type: none"> <li>1. <b>Reboot the system</b></li> <li>2. Flash the system. See “Flash update procedures” on page 260</li> <li>3. Run memory test</li> <li>4. System board</li> </ol>
<b>000-035-XXX</b> BIOS Reset Condition detected	<ol style="list-style-type: none"> <li>1. <b>Flash the system. See “Flash update procedures” on page 260</b></li> <li>2. System board</li> </ol>
<b>000-036-XXX</b> BIOS Register error	<ol style="list-style-type: none"> <li>1. <b>Flash the system. See “Flash update procedures” on page 260</b></li> <li>2. Boot block</li> <li>3. System board</li> </ol>
<b>000-038-XXX</b> BIOS Extension failure	<ol style="list-style-type: none"> <li>1. <b>Flash the system. See “Flash update procedures” on page 260</b></li> <li>2. Adapter card</li> <li>3. System board</li> </ol>

<b>Diagnostic Error Code</b>	<b>FRU/Action</b>
<b>000-039-XXX</b> BIOS DMI data error	<ol style="list-style-type: none"> <li>1. <b>Flash the system. See “Flash update procedures” on page 260</b></li> <li>2. System board</li> </ol>
<b>000-195-XXX</b> BIOS Test aborted by user	<b>Information only</b> Re-start the test, if necessary
<b>000-196-XXX</b> BIOS test halt, error threshold exceeded	<ol style="list-style-type: none"> <li>1. <b>Press F3 to review the log file</b></li> <li>2. Re-start the test to reset the log file</li> </ol>
<b>000-197-XXX</b> BIOS test warning	<ol style="list-style-type: none"> <li>1. <b>Make sure the component that is called out is connected and/or enabled. See Chapter 6, “Using the Setup Utility,” on page 53</b></li> <li>2. Re-run test</li> <li>3. Replace the component that is called out in warning statement</li> <li>4. Replace the component under test</li> </ol>
<b>000-198-XXX</b> BIOS test aborted	<ol style="list-style-type: none"> <li>1. <b>Make sure the component that is called out is connected and/or enabled. See Chapter 6, “Using the Setup Utility,” on page 53</b></li> <li>2. Flash the system and retest. See “Flash update procedures” on page 260</li> <li>3. Go to “Undetermined problems” on page 88</li> </ol>
<b>000-199-XXX</b> BIOS test failed, cause unknown	<ol style="list-style-type: none"> <li>1. Go to “Undetermined problems” on page 88</li> <li>2. Flash the system and re-test</li> <li>3. Replace component under function test</li> </ol>
<b>000-250-XXX</b> BIOS APM failure	<ol style="list-style-type: none"> <li>1. <b>Flash the system. See “Flash update procedures” on page 260</b></li> <li>2. System board</li> </ol>
<b>000-270-XXX</b> BIOS ACPI failure	<ol style="list-style-type: none"> <li>1. <b>Flash the system. See “Flash update procedures” on page 260</b></li> <li>2. System board</li> </ol>
<b>001-000-XXX</b> System Test Passed	<b>No action</b>
<b>001-00X-XXX</b> System Error	<b>System board</b>
<b>001-01X-XXX</b> System Error	<b>System board</b>
<b>001-024-XXX</b> System Addressing test failure	<b>System board</b>
<b>001-025-XXX</b> System Checksum Value error	<ol style="list-style-type: none"> <li>1. <b>Flash the system. See “Flash update procedures” on page 260</b></li> <li>2. System board</li> </ol>
<b>001-026-XXX</b> System FLASH data error	<ol style="list-style-type: none"> <li>1. <b>Flash the system. See “Flash update procedures” on page 260</b></li> <li>2. System board</li> </ol>

<b>Diagnostic Error Code</b>	<b>FRU/Action</b>
<b>001-027-XXX</b> System Configuration/Setup error	<ol style="list-style-type: none"> <li>1. <b>Run Setup</b></li> <li>2. Flash the system. See “Flash update procedures” on page 260</li> <li>3. System board</li> </ol>
<b>001-032-XXX</b> System Device Controller failure	<b>System board</b>
<b>001-034-XXX</b> System Device Buffer Allocation failure	<ol style="list-style-type: none"> <li>1. <b>Reboot the system</b></li> <li>2. Flash the system. See “Flash update procedures” on page 260</li> <li>3. Run memory test</li> <li>4. System board</li> </ol>
<b>001-035-XXX</b> System Device Reset condition detected	<b>System board</b>
<b>001-036-XXX</b> System Register error	<b>System board</b>
<b>001-038-XXX</b> System Extension failure	<ol style="list-style-type: none"> <li>1. <b>Adapter card</b></li> <li>2. System board</li> </ol>
<b>001-039-XXX</b> System DMI data structure error	<ol style="list-style-type: none"> <li>1. <b>Flash the system. See “Flash update procedures” on page 260</b></li> <li>2. System board</li> </ol>
<b>001-040-XXX</b> System IRQ failure	<ol style="list-style-type: none"> <li>1. <b>Power-off/on system and re-test</b></li> <li>2. System board</li> </ol>
<b>001-041-XXX</b> System DMA failure	<ol style="list-style-type: none"> <li>1. <b>Power-off/on system and re-test</b></li> <li>2. System board</li> </ol>
<b>001-195-XXX</b> System Test aborted by user	<b>Information only</b> Re-start the test, if necessary
<b>001-196-XXX</b> System test halt, error threshold exceeded	<ol style="list-style-type: none"> <li>1. <b>Press F3 to review the log file</b></li> <li>2. Re-start the test to reset the log file</li> </ol>
<b>001-197-XXX</b> System test warning	<ol style="list-style-type: none"> <li>1. <b>Make sure the component that is called out is connected and/or enabled. See Chapter 6, “Using the Setup Utility,” on page 53</b></li> <li>2. Re-run test</li> <li>3. Replace the component that is called out in warning statement</li> <li>4. Replace the component under test</li> </ol>
<b>001-198-XXX</b> System test aborted	<ol style="list-style-type: none"> <li>1. <b>If a component is called out, make sure it is connected and/or enabled. See Chapter 6, “Using the Setup Utility,” on page 53</b></li> <li>2. Flash the system and retest. See “Flash update procedures” on page 260</li> <li>3. Go to “Undetermined problems” on page 88</li> </ol>

<b>Diagnostic Error Code</b>	<b>FRU/Action</b>
<b>001-199-XXX</b> System test failed, cause unknown	<ol style="list-style-type: none"> <li>1. Go to “Undetermined problems” on page 88</li> <li>2. Flash the system and re-test</li> <li>3. Replace component under function test</li> </ol>
<b>001-250-XXX</b> System ECC error	<b>System board</b>
<b>001-254-XXX</b> <b>001-255-XXX</b> <b>001-256-XXX</b> <b>001-257-XXX</b> System DMA error	<b>System board</b>
<b>001-260-XXX</b> <b>001-264-XXX</b> System IRQ error	<b>System board</b>
<b>001-268-XXX</b> System IRQ1 failure	<ol style="list-style-type: none"> <li>1. <b>Device on IRQ1</b></li> <li>2. System board</li> </ol>
<b>001-269-XXX</b> System IRQ2 failure	<ol style="list-style-type: none"> <li>1. <b>Device on IRQ2</b></li> <li>2. System board</li> </ol>
<b>001-270-XXX</b> System IRQ3 failure	<ol style="list-style-type: none"> <li>1. <b>Device on IRQ3</b></li> <li>2. System board</li> </ol>
<b>001-271-XXX</b> System IRQ4 failure	<ol style="list-style-type: none"> <li>1. <b>Device on IRQ4</b></li> <li>2. System board</li> </ol>
<b>001-272-XXX</b> System IRQ5 failure	<ol style="list-style-type: none"> <li>1. <b>Device on IRQ5</b></li> <li>2. System board</li> </ol>
<b>001-273-XXX</b> System IRQ6 (diskette drive) failure	<ol style="list-style-type: none"> <li>1. <b>Diskette Cable</b></li> <li>2. Diskette drive</li> <li>3. System board</li> </ol>
<b>001-274-XXX</b> System IRQ7 failure	<ol style="list-style-type: none"> <li>1. <b>Device on IRQ7</b></li> <li>2. System board</li> </ol>
<b>001-275-XXX</b> System IRQ8 failure	<ol style="list-style-type: none"> <li>1. <b>Device on IRQ8</b></li> <li>2. System board</li> </ol>
<b>001-276-XXX</b> System IRQ9 failure	<ol style="list-style-type: none"> <li>1. <b>Device on IRQ9</b></li> <li>2. System board</li> </ol>
<b>001-277-XXX</b> System IRQ10 failure	<ol style="list-style-type: none"> <li>1. <b>Device on IRQ10</b></li> <li>2. System board</li> </ol>
<b>001-278-XXX</b> System IRQ11 failure	<ol style="list-style-type: none"> <li>1. <b>Device on IRQ11</b></li> <li>2. System board</li> </ol>
<b>001-279-XXX</b> System IRQ12 failure	<ol style="list-style-type: none"> <li>1. <b>Device on IRQ12</b></li> <li>2. System board</li> </ol>
<b>001-280-XXX</b> System IRQ13 failure	<ol style="list-style-type: none"> <li>1. <b>Device on IRQ13</b></li> <li>2. System board</li> </ol>

<b>Diagnostic Error Code</b>	<b>FRU/Action</b>
<b>001-281-XXX</b> System IRQ14 (hard disk drive) failure	<ol style="list-style-type: none"> <li>1. <b>Hard disk drive cable</b></li> <li>2. Hard disk drive</li> <li>3. System board</li> </ol>
<b>001-282-XXX</b> System IRQ15 failure	<ol style="list-style-type: none"> <li>1. <b>Device on IRQ15</b></li> <li>2. System board</li> </ol>
<b>001-286-XXX</b> <b>001-287-XXX</b> <b>001-288-XXX</b> System Timer failure	<b>System board</b>
<b>001-292-XXX</b> System CMOS RAM error	<ol style="list-style-type: none"> <li>1. <b>Run Setup and re-test</b></li> <li>2. System board</li> </ol>
<b>001-293-XXX</b> System CMOS Battery	<ol style="list-style-type: none"> <li>1. <b>Battery</b></li> <li>2. System board</li> </ol>
<b>001-298-XXX</b> System RTC date/time update failure	<ol style="list-style-type: none"> <li>1. <b>Flash the system. See “Flash update procedures” on page 260</b></li> <li>2. System board</li> </ol>
<b>001-299-XXX</b> System RTC periodic interrupt failure	<b>System board</b>
<b>001-300-XXX</b> System RTC Alarm failure	<b>System board</b>
<b>001-301-XXX</b> System RTC Century byte error	<ol style="list-style-type: none"> <li>1. <b>Flash the system. See “Flash update procedures” on page 260</b></li> <li>2. System board</li> </ol>
<b>005-000-XXX</b> Video Test Passed	<b>No action</b>
<b>005-00X-XXX</b> Video error	<ol style="list-style-type: none"> <li>1. <b>Video card, if installed</b></li> <li>2. System board</li> </ol>
<b>005-010-XXX</b> <b>005-011-XXX</b> <b>005-012-XXX</b> <b>005-013-XXX</b> Video Signal failure	<ol style="list-style-type: none"> <li>1. <b>Video card, if installed</b></li> <li>2. System board</li> </ol>
<b>005-016-XXX</b> Video Simple Pattern test failure	<ol style="list-style-type: none"> <li>1. <b>Video Ram</b></li> <li>2. Video card, if installed</li> <li>3. System board</li> </ol>
<b>005-024-XXX</b> Video Addressing test failure	<ol style="list-style-type: none"> <li>1. <b>Video card, if installed</b></li> <li>2. System board</li> </ol>
<b>005-025-XXX</b> Video Checksum Value error	<ol style="list-style-type: none"> <li>1. <b>Video card, if installed</b></li> <li>2. System board</li> </ol>
<b>005-027-XXX</b> Video Configuration/Setup error	<ol style="list-style-type: none"> <li>1. <b>Run Setup</b></li> <li>2. Video drivers update</li> <li>3. Video card, if installed</li> <li>4. System board</li> </ol>

Diagnostic Error Code	FRU/Action
005-031-XXX Video Device Cable failure	<ol style="list-style-type: none"> <li>1. <b>Video cable</b></li> <li>2. Monitor</li> <li>3. Video card, if installed</li> <li>4. System board</li> </ol>
005-032-XXX Video Device Controller failure	<ol style="list-style-type: none"> <li>1. <b>Video card, if installed</b></li> <li>2. System board</li> </ol>
005-036-XXX Video Register error	<ol style="list-style-type: none"> <li>1. <b>Video card, if installed</b></li> <li>2. System board</li> </ol>
005-038-XXX System BIOS extension failure	<ol style="list-style-type: none"> <li>1. <b>Video card, if installed</b></li> <li>2. System board</li> </ol>
005-040-XXX Video IRQ failure	<ol style="list-style-type: none"> <li>1. <b>Video card, if installed</b></li> <li>2. System board</li> </ol>
005-195-XXX Video Test aborted by user	<p><b>Information only</b> Re-start the test, if necessary</p>
005-196-XXX Video test halt, error threshold exceeded	<ol style="list-style-type: none"> <li>1. <b>Press F3 to review the log file</b></li> <li>2. Re-start the test to reset the log file</li> </ol>
005-197-XXX Video test warning	<ol style="list-style-type: none"> <li>1. <b>Make sure the component that is called out is connected and/or enabled. See Chapter 6, "Using the Setup Utility," on page 53</b></li> <li>2. Re-run test</li> <li>3. Replace the component called out in warning statement</li> <li>4. Replace the component under test</li> </ol>
005-198-XXX Video test aborted	<ol style="list-style-type: none"> <li>1. <b>If a component is called out, make sure it is connected and/or enabled. See Chapter 6, "Using the Setup Utility," on page 53</b></li> <li>2. Flash the system and re-test. See "Flash update procedures" on page 260</li> <li>3. Go to "Undetermined problems" on page 88</li> </ol>
005-199-XXX Video test failed, cause unknown	<ol style="list-style-type: none"> <li>1. Go to "Undetermined problems" on page 88</li> <li>2. Flash the system and re-test. See "Flash update procedures" on page 260</li> <li>3. Replace component under function test</li> </ol>
005-2XX-XXX 005-3XX-XXX Video subsystem error	<ol style="list-style-type: none"> <li>1. <b>Video card, if installed</b></li> <li>2. System board</li> </ol>
006-000-XXX Diskette interface Test Passed	<b>No action</b>
006-0XX-XXX Diskette interface error	<ol style="list-style-type: none"> <li>1. <b>Diskette drive Cable</b></li> <li>2. Diskette drive</li> <li>3. System board</li> </ol>

<b>Diagnostic Error Code</b>	<b>FRU/Action</b>
<b>006-195-XXX</b> Diskette interface Test aborted by user	<b>Information only</b> Re-start the test, if necessary
<b>006-196-XXX</b> Diskette interface test halt, error threshold exceeded	<ol style="list-style-type: none"> <li>1. <b>Press F3 to review the log file</b></li> <li>2. Re-start the test to reset the log file</li> </ol>
<b>006-197-XXX</b> Diskette interface test warning	<ol style="list-style-type: none"> <li>1. <b>If a component is called out, make sure it is connected and/or enabled</b></li> <li>2. Re-run test</li> <li>3. Replace the component that is called out in warning statement</li> <li>4. Replace the component under test</li> </ol>
<b>006-198-XXX</b> Diskette interface test aborted	<ol style="list-style-type: none"> <li>1. <b>If a component is called out, make sure it is connected and/or enabled</b></li> <li>2. Flash the system and re-test. See "Flash update procedures" on page 260</li> <li>3. Go to "Undetermined problems" on page 88</li> </ol>
<b>006-199-XXX</b> Diskette interface test failed, cause unknown	<ol style="list-style-type: none"> <li>1. Go to "Undetermined problems" on page 88</li> <li>2. Flash the system and re-test</li> <li>3. Replace component under function test</li> </ol>
<b>006-25X-XXX</b> Diskette interface Error	<ol style="list-style-type: none"> <li>1. <b>Diskette drive cable</b></li> <li>2. Diskette drive</li> <li>3. System board</li> </ol>
<b>011-000-XXX</b> Serial port Interface Test Passed	<b>No action</b>
<b>011-001-XXX</b> Serial port Presence	<ol style="list-style-type: none"> <li>1. <b>Remove external serial device, if present</b></li> <li>2. Run setup, enable port</li> <li>3. System board</li> </ol>
<b>011-002-XXX</b> <b>011-003-XXX</b> Serial port Timeout/Parity error	<b>System board</b>
<b>011-013-XXX</b> <b>011-014-XXX</b> Serial port Control Signal/Loopback test failure	<b>System board</b>
<b>011-015-XXX</b> Serial port External Loopback failure	<ol style="list-style-type: none"> <li>1. <b>Wrap plug</b></li> <li>2. System board</li> </ol>
<b>011-027-XXX</b> Serial port Configuration/Setup error	<ol style="list-style-type: none"> <li>1. <b>Run Setup, enable port</b></li> <li>2. Flash the system. See "Flash update procedures" on page 260</li> <li>3. System board</li> </ol>
<b>011-03X-XXX</b> <b>011-04X-XXX</b> Serial port failure	<b>System board</b>

Diagnostic Error Code	FRU/Action
<b>011-195-XXX</b> Serial port Test aborted by user	<b>Information only</b> Re-start the test, if necessary
<b>011-196-XXX</b> Serial port test halt, error threshold exceeded	<ol style="list-style-type: none"> <li>1. <b>Press F3 to review the log file</b></li> <li>2. Re-start the test to reset the log file</li> </ol>
<b>011-197-XXX</b> Serial port test warning	<ol style="list-style-type: none"> <li>1. <b>Make sure the component that is called out is connected and/or enabled. See Chapter 6, "Using the Setup Utility," on page 53</b></li> <li>2. Re-run test</li> <li>3. Replace the component that is called out in warning statement</li> <li>4. Replace the component under test</li> </ol>
<b>011-198-XXX</b> Serial port test aborted	<ol style="list-style-type: none"> <li>1. <b>If a component is called out, make sure it is connected and/or enabled. See Chapter 6, "Using the Setup Utility," on page 53</b></li> <li>2. Flash the system and re-test. See "Flash update procedures" on page 260</li> <li>3. Go to "Undetermined problems" on page 88</li> </ol>
<b>011-199-XXX</b> Serial port test failed, cause unknown	<ol style="list-style-type: none"> <li>1. Go to "Undetermined problems" on page 88</li> <li>2. Flash the system and re-test. See "Flash update procedures" on page 260</li> <li>3. Replace component under function test</li> </ol>
<b>011-2XX-XXX</b> Serial port signal failure	<ol style="list-style-type: none"> <li>1. <b>External serial device</b></li> <li>2. System board</li> </ol>
<b>014-000-XXX</b> Parallel port Interface Test Passed	<b>No action</b>
<b>014-001-XXX</b> Parallel port Presence	<ol style="list-style-type: none"> <li>1. <b>Remove external parallel device, if present</b></li> <li>2. Run setup, enable port</li> <li>3. System board</li> </ol>
<b>014-002-XXX</b> <b>014-003-XXX</b> Parallel port Timeout/Parity error	<b>System board</b>
<b>014-013-XXX</b> <b>014-014-XXX</b> Parallel port Control Signal/Loopback test failure	<b>System board</b>
<b>014-015-XXX</b> Parallel port External Loopback failure	<ol style="list-style-type: none"> <li>1. <b>Wrap plug</b></li> <li>2. System board</li> </ol>
<b>014-027-XXX</b> Parallel port Configuration/Setup error	<ol style="list-style-type: none"> <li>1. <b>Run Setup, enable port</b></li> <li>2. Flash the system. See "Flash update procedures" on page 260</li> <li>3. System board</li> </ol>



Diagnostic Error Code	FRU/Action
014-03X-XXX 014-04X-XXX Parallel port failure	System board
014-195-XXX Parallel port Test aborted by user	Information only Re-start the test, if necessary
014-196-XXX Parallel port test halt, error threshold exceeded	<ol style="list-style-type: none"> <li>1. Press F3 to review the log file</li> <li>2. Re-start the test to reset the log file</li> </ol>
014-197-XXX Parallel port test warning	<ol style="list-style-type: none"> <li>1. Make sure the component that is called out is connected and/or enabled. See Chapter 6, "Using the Setup Utility," on page 53</li> <li>2. Re-run test</li> <li>3. Replace the component that is called out in warning statement</li> <li>4. Replace the component under test</li> </ol>
014-198-XXX Parallel port test aborted	<ol style="list-style-type: none"> <li>1. If a component is called out, make sure it is connected and/or enabled</li> <li>2. Flash the system and re-test. See "Flash update procedures" on page 260</li> <li>3. Go to "Undetermined problems" on page 88</li> </ol>
014-199-XXX Parallel port test failed, cause unknown	<ol style="list-style-type: none"> <li>1. Go to "Undetermined problems" on page 88</li> <li>2. Flash the system and re-test. See "Flash update procedures" on page 260</li> <li>3. Replace component under function test</li> </ol>
014-2XX-XXX 014-3XX-XXX Parallel port failure	<ol style="list-style-type: none"> <li>1. External parallel device</li> <li>2. System board</li> </ol>
015-000-XXX USB port Interface Test Passed	No action
015-001-XXX USB port Presence	<ol style="list-style-type: none"> <li>1. Remove USB device(s) and re-test</li> <li>2. System board</li> </ol>
015-002-XXX USB port Timeout	<ol style="list-style-type: none"> <li>1. Remove USB device(s) and re-test</li> <li>2. System board</li> </ol>
015-015-XXX USB port External Loopback failure	<ol style="list-style-type: none"> <li>1. Remove USB device(s) and re-test</li> <li>2. System board</li> </ol>
015-027-XXX USB port Configuration/Setup error	<ol style="list-style-type: none"> <li>1. Flash the system. See "Flash update procedures" on page 260</li> <li>2. System board</li> </ol>
015-032-XXX USB port Device Controller failure	System board

Diagnostic Error Code	FRU/Action
<b>015-034-XXX</b> USB port buffer allocation failure	<ol style="list-style-type: none"> <li>1. <b>Reboot the system</b></li> <li>2. Flash the system and re-test. See "Flash update procedures" on page 260</li> <li>3. Run memory test</li> <li>4. System board</li> </ol>
<b>015-035-XXX</b> USB port Reset condition detected	<ol style="list-style-type: none"> <li>1. <b>Remove USB device(s) and re-test</b></li> <li>2. System board</li> </ol>
<b>015-036-XXX</b> USB port Register error	<b>System board</b>
<b>015-040-XXX</b> USB port IRQ failure	<ol style="list-style-type: none"> <li>1. <b>Run setup and check for conflicts</b></li> <li>2. Flash the system. See "Flash update procedures" on page 260</li> <li>3. System board</li> </ol>
<b>015-195-XXX</b> USB port Test aborted by user	<b>Information only</b> Re-start the test, if necessary
<b>015-196-XXX</b> USB port test halt, error threshold exceeded	<ol style="list-style-type: none"> <li>1. <b>Press F3 to review the log file</b></li> <li>2. Re-start the test to reset the log file</li> </ol>
<b>015-197-XXX</b> USB port test warning	<ol style="list-style-type: none"> <li>1. <b>Make sure the component that is called out is connected and/or enabled. See Chapter 6, "Using the Setup Utility," on page 53</b></li> <li>2. Re-run test</li> <li>3. Replace the component that is called out in warning statement</li> <li>4. Replace the component under test</li> </ol>
<b>015-198-XXX</b> USB port test aborted	<ol style="list-style-type: none"> <li>1. <b>If a component is called out, make sure it is connected and/or enabled. See Chapter 6, "Using the Setup Utility," on page 53</b></li> <li>2. Flash the system and re-test. See "Flash update procedures" on page 260</li> <li>3. Go to "Undetermined problems" on page 88</li> </ol>
<b>015-199-XXX</b> USB port test failed, cause unknown	<ol style="list-style-type: none"> <li>1. Go to "Undetermined problems" on page 88</li> <li>2. Flash the system and re-test. See "Flash update procedures" on page 260</li> <li>3. Replace component under function test</li> </ol>
<b>018-000-XXX</b> PCI Card Test Passed	<b>No action</b>
<b>018-0XX-XXX</b> PCI Card Failure	<ol style="list-style-type: none"> <li>1. <b>Riser card, if installed</b></li> <li>2. System board</li> </ol>
<b>018-195-XXX</b> PCI Card Test aborted by user	<ol style="list-style-type: none"> <li>1. <b>PCI card</b></li> <li>2. <b>Information only</b> Re-start the test, if necessary</li> </ol>

Diagnostic Error Code	FRU/Action
<b>018-196-XXX</b> PCI Card test halt, error threshold exceeded	<ol style="list-style-type: none"> <li>1. Press F3 to review the log file</li> <li>2. Re-start the test to reset the log file</li> </ol>
<b>018-197-XXX</b> PCI Card test warning	<ol style="list-style-type: none"> <li>1. Make sure the component that is called out is connected and/or enabled. See Chapter 6, "Using the Setup Utility," on page 53</li> <li>2. Re-run test</li> <li>3. Replace the component that is called out in warning statement</li> <li>4. Replace the component under test</li> </ol>
<b>018-198-XXX</b> PCI Card test aborted	<ol style="list-style-type: none"> <li>1. If a component is called out, make sure it is connected and/or enabled. See Chapter 6, "Using the Setup Utility," on page 53</li> <li>2. Flash the system and re-test. See "Flash update procedures" on page 260</li> <li>3. Go to "Undetermined problems" on page 88</li> </ol>
<b>018-199-XXX</b> PCI Card test failed, cause unknown	<ol style="list-style-type: none"> <li>1. Go to "Undetermined problems" on page 88</li> <li>2. Flash the system and re-test. See "Flash update procedures" on page 260</li> <li>3. Replace component under function test</li> </ol>
<b>018-250-XXX</b> PCI Card Services error	<ol style="list-style-type: none"> <li>1. PCI card</li> <li>2. Riser card, if installed</li> <li>3. System board</li> </ol>
<b>020-000-XXX</b> PCI Interface Test Passed	<b>No action</b>
<b>020-0XX-XXX</b> PCI Interface error	<ol style="list-style-type: none"> <li>1. PCI card</li> <li>2. Riser card, if installed</li> <li>3. System board</li> </ol>
<b>020-195-XXX</b> PCI Test aborted by user	<b>Information only</b> Re-start the test, if necessary
<b>020-196-XXX</b> PCI test halt, error threshold exceeded	<ol style="list-style-type: none"> <li>1. Press F3 to review the log file</li> <li>2. Re-start the test to reset the log file</li> </ol>
<b>020-197-XXX</b> PCI test warning	<ol style="list-style-type: none"> <li>1. Make sure the component that is called out is connected and/or enabled. See Chapter 6, "Using the Setup Utility," on page 53</li> <li>2. Re-run test</li> <li>3. Replace the component that is called out in warning statement</li> <li>4. Replace the component under test</li> </ol>

Diagnostic Error Code	FRU/Action
020-198-XXX PCI test aborted	<ol style="list-style-type: none"> <li>1. <b>If a component is called out, make sure it is connected and/or enabled. See Chapter 6, "Using the Setup Utility," on page 53</b></li> <li>2. Flash the system and re-test. See "Flash update procedures" on page 260</li> <li>3. Go to "Undetermined problems" on page 88</li> </ol>
020-199-XXX PCI test failed, cause unknown	<ol style="list-style-type: none"> <li>1. Go to "Undetermined problems" on page 88</li> <li>2. Flash the system and re-test. See "Flash update procedures" on page 260</li> <li>3. Replace component under function test</li> </ol>
020-262-XXX PCI system error	<ol style="list-style-type: none"> <li>1. PCI card</li> <li>2. Riser card, if installed</li> <li>3. System board</li> </ol>
025-000-XXX IDE interface Test Passed	<b>No action</b>
025-00X-XXX 025-01X-XXX IDE interface failure	<ol style="list-style-type: none"> <li>1. <b>IDE signal cable</b></li> <li>2. Check power supply voltages</li> <li>3. Reseat IDE signal cable</li> <li>4. IDE device</li> <li>5. System board</li> </ol>
025-027-XXX IDE interface Configuration/Setup error	<ol style="list-style-type: none"> <li>1. <b>IDE signal cable</b></li> <li>2. Flash the system. See "Flash update procedures" on page 260</li> <li>3. Reseat IDE signal cable</li> <li>4. IDE device</li> <li>5. System board</li> </ol>
025-02X-XXX 025-03X-XXX 025-04X-XXX IDE Interface failure	<ol style="list-style-type: none"> <li>1. <b>IDE signal cable</b></li> <li>2. Check power supply</li> <li>3. Reseat IDE signal cable</li> <li>4. IDE device</li> <li>5. System board</li> </ol>
025-195-XXX IDE interface Test aborted by user	<b>Information only</b> Re-start the test, if necessary
025-196-XXX IDE interface test halt, error threshold exceeded	<ol style="list-style-type: none"> <li>1. <b>Press F3 to review the log file</b></li> <li>2. Re-start the test to reset the log file</li> </ol>
025-197-XXX IDE interface test warning	<ol style="list-style-type: none"> <li>1. <b>Make sure the component that is called out is connected and/or enabled. See Chapter 6, "Using the Setup Utility," on page 53</b></li> <li>2. Re-run test</li> <li>3. Replace the component that is called out in warning statement</li> <li>4. Replace the component under test</li> </ol>

Diagnostic Error Code	FRU/Action
<b>025-198-XXX</b> IDE interface test aborted	<ol style="list-style-type: none"> <li>1. <b>If a component is called out, make sure it is connected and/or enabled. See Chapter 6, "Using the Setup Utility," on page 53</b></li> <li>2. Flash the system and re-test. See "Flash update procedures" on page 260</li> <li>3. Go to "Undetermined problems" on page 88</li> </ol>
<b>025-199-XXX</b> IDE interface test failed, cause unknown	<ol style="list-style-type: none"> <li>1. Go to "Undetermined problems" on page 88</li> <li>2. Flash the system and re-test. See "Flash update procedures" on page 260</li> <li>3. Replace component under function test</li> </ol>
<b>030-000-XXX</b> SCSI interface Test Passed	<b>No action</b>
<b>030-00X-XXX</b> <b>030-01X-XXX</b> SCSI interface failure	<ol style="list-style-type: none"> <li>1. <b>SCSI signal cable</b></li> <li>2. Check power supply</li> <li>3. SCSI device</li> <li>4. SCSI adapter card, if installed</li> <li>5. System board</li> </ol>
<b>030-027-XXX</b> SCSI interface Configuration/Setup error	<ol style="list-style-type: none"> <li>1. <b>SCSI signal cable</b></li> <li>2. Flash the system. See "Flash update procedures" on page 260</li> <li>3. SCSI device</li> <li>4. SCSI adapter card, if installed</li> <li>5. System board</li> </ol>
<b>030-03X-XXX</b> <b>030-04X-XXX</b> SCSI interface error	<ol style="list-style-type: none"> <li>1. <b>SCSI signal cable</b></li> <li>2. Check power supply</li> <li>3. SCSI device</li> <li>4. SCSI adapter card, if installed</li> <li>5. System board</li> </ol>
<b>030-195-XXX</b> SCSI interface Test aborted by user	<b>Information only</b> Re-start the test, if necessary
<b>030-196-XXX</b> SCSI interface test halt, error threshold exceeded	<ol style="list-style-type: none"> <li>1. <b>Press F3 to review the log file</b></li> <li>2. Re-start the test to reset the log file</li> </ol>
<b>030-197-XXX</b> SCSI interface test warning	<ol style="list-style-type: none"> <li>1. <b>Make sure the component that is called out is connected and/or enabled. See Chapter 6, "Using the Setup Utility," on page 53</b></li> <li>2. Re-run test</li> <li>3. Replace the component that is called out in warning statement</li> <li>4. Replace the component under test</li> </ol>

Diagnostic Error Code	FRU/Action
<b>030-198-XXX</b> SCSI interface test aborted	<ol style="list-style-type: none"> <li>1. <b>If a component is called out, make sure it is connected and/or enabled. See Chapter 6, "Using the Setup Utility," on page 53</b></li> <li>2. Flash the system and re-test. See "Flash update procedures" on page 260</li> <li>3. Go to "Undetermined problems" on page 88</li> </ol>
<b>030-199-XXX</b> SCSI interface test failed, cause unknown	<ol style="list-style-type: none"> <li>1. Go to "Undetermined problems" on page 88</li> <li>2. Flash the system and re-test. See "Flash update procedures" on page 260</li> <li>3. Replace component under function test</li> </ol>
<b>035-000-XXX</b> RAID interface Test Passed	<b>No action</b>
<b>035-0XX-XXX</b> RAID interface Failure	<ol style="list-style-type: none"> <li>1. <b>RAID signal cable</b></li> <li>2. RAID device</li> <li>3. RAID adapter card, if installed</li> <li>4. System board</li> </ol>
<b>035-195-XXX</b> RAID interface Test aborted by user	<b>Information only</b> Re-start the test, if necessary
<b>035-196-XXX</b> RAID interface test halt, error threshold exceeded	<ol style="list-style-type: none"> <li>1. <b>Press F3 to review the log file</b></li> <li>2. Re-start the test to reset the log file</li> </ol>
<b>035-197-XXX</b> RAID interface test warning	<ol style="list-style-type: none"> <li>1. <b>Make sure the component that is called out is connected and/or enabled. See Chapter 6, "Using the Setup Utility," on page 53</b></li> <li>2. Re-run test</li> <li>3. Replace the component that is called out in warning statement</li> <li>4. Replace the component under test</li> </ol>
<b>035-198-XXX</b> RAID interface test aborted	<ol style="list-style-type: none"> <li>1. <b>If a component is called out, make sure it is connected and/or enabled. See Chapter 6, "Using the Setup Utility," on page 53</b></li> <li>2. Flash the system and re-test. See "Flash update procedures" on page 260</li> <li>3. Go to "Undetermined problems" on page 88</li> </ol>
<b>035-199-XXX</b> RAID interface test failed, cause unknown	<ol style="list-style-type: none"> <li>1. See "Undetermined problems" on page 88</li> <li>2. Flash the system and re-test. See "Flash update procedures" on page 260</li> <li>3. Replace component under function test</li> </ol>
<b>071-000-XXX</b> Audio port Interface Test Passed	<b>No action</b>

Diagnostic Error Code	FRU/Action
071-00X-XXX 071-01X-XXX 071-02X-XXX Audio port error	<ol style="list-style-type: none"> <li>1. <b>Run Setup</b></li> <li>2. Flash the system. See "Flash update procedures" on page 260</li> <li>3. System board</li> </ol>
071-03X-XXX Audio port failure	<ol style="list-style-type: none"> <li>1. <b>Speakers</b></li> <li>2. Microphone</li> <li>3. Audio card, if installed</li> <li>4. System board</li> </ol>
071-04X-XXX Audio port failure	<ol style="list-style-type: none"> <li>1. <b>Run Setup</b></li> <li>2. Audio card, if installed</li> <li>3. System board</li> </ol>
071-195-XXX Audio port Test aborted by user	<p><b>Information only</b> Re-start the test, if necessary</p>
071-196-XXX Audio port test halt, error threshold exceeded	<ol style="list-style-type: none"> <li>1. <b>Press F3 to review the log file</b></li> <li>2. Re-start the test to reset the log file</li> </ol>
071-197-XXX Audio port test warning	<ol style="list-style-type: none"> <li>1. <b>Make sure the component that is called out is connected and/or enabled. See Chapter 6, "Using the Setup Utility," on page 53</b></li> <li>2. Re-run test</li> <li>3. Replace the component that is called out in warning statement</li> <li>4. Replace the component under test</li> </ol>
071-198-XXX Audio port test aborted	<ol style="list-style-type: none"> <li>1. <b>If a component is called out, make sure it is connected and/or enabled. See Chapter 6, "Using the Setup Utility," on page 53</b></li> <li>2. Flash the system and re-test. See "Flash update procedures" on page 260</li> <li>3. Go to "Undetermined problems" on page 88</li> </ol>
071-199-XXX Audio port test failed, cause unknown	<ol style="list-style-type: none"> <li>1. See "Undetermined problems" on page 88</li> <li>2. Flash the system and re-test. See "Flash update procedures" on page 260</li> <li>3. Replace component under function test</li> </ol>
071-25X-XXX Audio port failure	<ol style="list-style-type: none"> <li>1. <b>Speakers</b></li> <li>2. Audio card, if installed</li> <li>3. System board</li> </ol>
080-000-XXX Game Port interface Test Passed	<b>No action</b>
080-XXX-XXX Game Port interface Error	<ol style="list-style-type: none"> <li>1. <b>Remove the game port device and re-test the system</b></li> </ol>
080-195-XXX Game Port interface Test aborted by user	<p><b>Information only</b> Re-start the test, if necessary</p>

Diagnostic Error Code	FRU/Action
<b>080-196-XXX</b> Game Port interface test halt, error threshold exceeded	<ol style="list-style-type: none"> <li>1. <b>Press F3 to review the log file</b></li> <li>2. Re-start the test to reset the log file</li> </ol>
<b>080-197-XXX</b> Game Port interface test warning	<ol style="list-style-type: none"> <li>1. <b>Make sure the component that is called out is connected and/or enabled. See Chapter 6, "Using the Setup Utility," on page 53</b></li> <li>2. Re-run test</li> <li>3. Replace the component that is called out in warning statement</li> <li>4. Replace the component under test</li> </ol>
<b>080-198-XXX</b> Game Port interface test aborted	<ol style="list-style-type: none"> <li>1. <b>If a component is called out, make sure it is connected and/or enabled. See Chapter 6, "Using the Setup Utility," on page 53</b></li> <li>2. Flash the system and re-test. See "Flash update procedures" on page 260</li> <li>3. Go to "Undetermined problems" on page 88</li> </ol>
<b>080-199-XXX</b> Game Port interface test failed, cause unknown	<ol style="list-style-type: none"> <li>1. See "Undetermined problems" on page 88</li> <li>2. Flash the system and re-test. See "Flash update procedures" on page 260</li> <li>3. Replace component under function test</li> </ol>
<b>086-000-XXX</b> Mouse Port interface Test Passed	<b>No action</b>
<b>086-001-XXX</b> Mouse Port interface Presence	<ol style="list-style-type: none"> <li>1. <b>Mouse</b></li> <li>2. System board</li> </ol>
<b>086-032-XXX</b> Mouse Port interface Device controller failure	<ol style="list-style-type: none"> <li>1. <b>Mouse</b></li> <li>2. System board</li> </ol>
<b>086-035-XXX</b> Mouse Port interface Reset	<ol style="list-style-type: none"> <li>1. <b>Mouse</b></li> <li>2. System board</li> </ol>
<b>086-040-XXX</b> Mouse Port interface IRQ failure	<ol style="list-style-type: none"> <li>1. <b>Run Setup</b></li> <li>2. Mouse</li> <li>3. System board</li> </ol>
<b>086-195-XXX</b> Mouse Port interface Test aborted by user	<b>Information only</b> Re-start the test, if necessary
<b>086-196-XXX</b> Mouse Port interface test halt, error threshold exceeded	<ol style="list-style-type: none"> <li>1. <b>Press F3 to review the log file</b></li> <li>2. Re-start the test to reset the log file</li> </ol>



Diagnostic Error Code	FRU/Action
086-197-XXX Mouse Port interface test warning	<ol style="list-style-type: none"> <li>1. <b>Make sure the component that is called out is connected and/or enabled. See Chapter 6, "Using the Setup Utility," on page 53</b></li> <li>2. Re-run test</li> <li>3. Replace the component that is called out in warning statement</li> <li>4. Replace the component under test</li> </ol>
086-198-XXX Mouse Port interface test aborted	<ol style="list-style-type: none"> <li>1. <b>If a component is called out, make sure it is connected and/or enabled. See Chapter 6, "Using the Setup Utility," on page 53</b></li> <li>2. Flash the system and re-test. See "Flash update procedures" on page 260</li> <li>3. Go to "Undetermined problems" on page 88</li> </ol>
086-199-XXX Mouse Port interface test failed, cause unknown	<ol style="list-style-type: none"> <li>1. See "Undetermined problems" on page 88</li> <li>2. Flash the system and re-test. See "Flash update procedures" on page 260</li> <li>3. Replace component under function test</li> </ol>
089-000-XXX Microprocessor Test Passed	<b>No action</b>
089-XXX-XXX Microprocessor failure	<ol style="list-style-type: none"> <li>1. <b>Microprocessor(s)</b></li> <li>2. System board</li> </ol>
089-195-XXX Microprocessor Test aborted by user	<b>Information only</b> Re-start the test, if necessary
089-196-XXX Microprocessor test halt, error threshold exceeded	<ol style="list-style-type: none"> <li>1. <b>Press F3 to review the log file</b></li> <li>2. Re-start the test to reset the log file</li> </ol>
089-197-XXX Microprocessor test warning	<ol style="list-style-type: none"> <li>1. <b>Make sure the component that is called out is connected and/or enabled. See Chapter 6, "Using the Setup Utility," on page 53</b></li> <li>2. Re-run test</li> <li>3. Replace the component that is called out in warning statement</li> <li>4. Replace the component under test</li> </ol>
089-198-XXX Microprocessor test aborted	<ol style="list-style-type: none"> <li>1. <b>Flash the system. See "Flash update procedures" on page 260</b></li> <li>2. Go to "Undetermined problems" on page 88</li> </ol>
089-199-XXX Microprocessor test failed, cause unknown	<ol style="list-style-type: none"> <li>1. See "Undetermined problems" on page 88</li> <li>2. Flash the system and re-test. See "Flash update procedures" on page 260</li> <li>3. Replace component under function test</li> </ol>
170-000-XXX Voltage Sensor(s) Test Passed	<b>No action</b>

Diagnostic Error Code	FRU/Action
<b>170-0XX-XXX</b> Voltage Sensor(s) failure	<ol style="list-style-type: none"> <li>1. <b>Flash system</b></li> <li>2. System board</li> </ol>
<b>170-195-XXX</b> Voltage Sensor(s) Test aborted by user	<b>Information only</b> Re-start the test, if necessary
<b>170-196-XXX</b> Voltage Sensor(s) test halt, error threshold exceeded	<ol style="list-style-type: none"> <li>1. <b>Press F3 to review the log file</b></li> <li>2. Re-start the test to reset the log file</li> </ol>
<b>170-197-XXX</b> Voltage Sensor(s) test warning	<ol style="list-style-type: none"> <li>1. <b>Make sure the component that is called out is connected and/or enabled. See Chapter 6, "Using the Setup Utility," on page 53</b></li> <li>2. Re-run test</li> <li>3. Replace the component that is called out in warning statement</li> <li>4. Replace the component under test</li> </ol>
<b>170-198-XXX</b> Voltage Sensor(s) test aborted	<ol style="list-style-type: none"> <li>1. <b>If a component is called out, make sure it is connected and/or enabled. See Chapter 6, "Using the Setup Utility," on page 53</b></li> <li>2. Flash the system and re-test. See "Flash update procedures" on page 260</li> <li>3. Go to "Undetermined problems" on page 88</li> </ol>
<b>170-199-XXX</b> Voltage Sensor(s) test failed, cause unknown	<ol style="list-style-type: none"> <li>1. <b>See "Undetermined problems" on page 88</b></li> <li>2. Flash the system and re-test. See "Flash update procedures" on page 260</li> <li>3. Replace component under function test</li> </ol>
<b>170-250-XXX</b> <b>170-251-XXX</b> Voltage Sensor(s) Voltage limit error	<ol style="list-style-type: none"> <li>1. <b>Power supply</b></li> <li>2. System board</li> </ol>
<b>170-254-XXX</b> Voltage Sensor(s) Voltage Regulator Module error	<ol style="list-style-type: none"> <li>1. <b>Voltage Regulator Module (VRM)</b></li> <li>2. Microprocessor</li> <li>3. System board</li> </ol>
<b>175-000-XXX</b> Thermal Sensor(s) Test Passed	<b>No action</b>
<b>175-0XX-XXX</b> Thermal Sensor(s) failure	<ol style="list-style-type: none"> <li>1. <b>Flash system</b></li> <li>2. System board</li> </ol>
<b>175-195-XXX</b> Thermal Sensor(s) Test aborted by user	<b>Information only</b> Re-start the test, if necessary
<b>175-196-XXX</b> Thermal Sensor(s) test halt, error threshold exceeded	<ol style="list-style-type: none"> <li>1. <b>Press F3 to review the log file</b></li> <li>2. Re-start the test to reset the log file</li> </ol>

Diagnostic Error Code	FRU/Action
175-197-XXX Thermal Sensor(s) test warning	<ol style="list-style-type: none"> <li>1. <b>Make sure the component that is called out is connected and/or enabled. See Chapter 6, "Using the Setup Utility," on page 53</b></li> <li>2. Re-run test</li> <li>3. Replace the component that is called out in warning statement</li> <li>4. Replace the component under test</li> </ol>
175-198-XXX Thermal Sensor(s) test aborted	<ol style="list-style-type: none"> <li>1. <b>If a component is called out, make sure it is connected and/or enabled</b></li> <li>2. Flash the system and re-test. See "Flash update procedures" on page 260</li> <li>3. Go to "Undetermined problems" on page 88</li> </ol>
175-199-XXX Thermal Sensor(s) test failed, cause unknown	<ol style="list-style-type: none"> <li>1. <b>See "Undetermined problems" on page 88</b></li> <li>2. Flash the system and re-test. See "Flash update procedures" on page 260</li> <li>3. Replace component under function test</li> </ol>
175-250-XXX 175-251-XXX Thermal Sensor(s) limit error	<ol style="list-style-type: none"> <li>1. <b>Check fans</b></li> <li>2. Check Power supply voltages</li> <li>3. Microprocessor</li> <li>4. System board</li> </ol>
185-000-XXX Asset Security Test Passed	<b>No action</b>
185-XXX-XXX Asset Security failure	<ol style="list-style-type: none"> <li>1. <b>Flash system</b></li> <li>2. System board</li> </ol>
185-278-XXX Asset Security Chassis Intrusion	<ol style="list-style-type: none"> <li>1. <b>Assure Asset Security Enabled</b></li> <li>2. C2 Cover Switch</li> <li>3. System board</li> </ol>
201-000-XXX System Memory Test Passed	<b>No action</b>
201-XXX-XXX System Memory error	<ol style="list-style-type: none"> <li>1. <b>Replace the memory module called out by the test</b></li> <li>2. System board</li> </ol>
202-000-XXX System Cache Test Passed	<b>No action</b>
202-XXX-XXX System Cache error	<ol style="list-style-type: none"> <li>1. <b>Cache, if removable</b></li> <li>2. System board</li> <li>3. Microprocessor</li> </ol>
206-000-XXX Diskette Drive Test Passed	<b>No action</b>
206-XXX-XXX Diskette Drive error	<ol style="list-style-type: none"> <li>1. <b>Diskette Drive Cable</b></li> <li>2. Check power supply voltages</li> <li>3. Diskette drive</li> <li>4. System board</li> </ol>

<b>Diagnostic Error Code</b>	<b>FRU/Action</b>
<b>215-000-XXX</b> CD-ROM Drive Test Passed	<b>No action</b>
<b>215-XXX-XXX</b> CD-ROM Drive error	<ol style="list-style-type: none"> <li>1. <b>CD-ROM Drive Cable</b></li> <li>2. Check power supply voltages</li> <li>3. CD-ROM drive</li> <li>4. System board</li> </ol>
<b>217-000-XXX</b> Hard Disk Drive Test Passed	<b>No action</b>
<b>217-25X-XXX</b> <b>217-26X-XXX</b> Hard Disk Drive (IDE) error	<ol style="list-style-type: none"> <li>1. <b>Hard Disk Drive Cable</b></li> <li>2. Check power supply voltages</li> <li>3. Reseat the hard disk drive cable</li> <li>4. Hard Disk drive (IDE)</li> <li>5. System board</li> </ol>
<b>217-28X-XXX</b> <b>217-29X-XXX</b> Hard Disk Drive (SCSI) error	<ol style="list-style-type: none"> <li>1. <b>Hard Disk Drive Cable</b></li> <li>2. Check power supply voltages</li> <li>3. Reseat the hard disk drive cable</li> <li>4. Hard Disk drive (SCSI)</li> <li>5. SCSI adapter card</li> <li>6. System board</li> </ol>
<b>220-000-XXX</b> Hi-Capacity Cartridge Drive Test Passed	<b>No action</b>
<b>220-XXX-XXX</b> Hi-Capacity Cartridge Drive error	<ol style="list-style-type: none"> <li>1. <b>Remove the Hi-Capacity Cartridge Drive and re-test the system</b></li> </ol>
<b>301-XXX-XXX</b> Keyboard error	<ol style="list-style-type: none"> <li>1. <b>Keyboard</b></li> <li>2. Check and test mouse</li> <li>3. System board</li> </ol>
<b>301-000-XXX</b> Keyboard Test Passed	<b>No action</b>
<b>302-000-XXX</b> Mouse Test Passed	<b>No action</b>
<b>302-XXX-XXX</b> Mouse error	<ol style="list-style-type: none"> <li>1. <b>Mouse</b></li> <li>2. Check and test Keyboard</li> <li>3. System board</li> </ol>
<b>303-000-XXX</b> Joystick Test Passed	<b>No action</b>
<b>303-XXX-XXX</b> Joystick error	<b>Remove the Joystick and re-test the system</b>
<b>305-000-XXX</b> Monitor DDC Test Passed	<b>No action</b>
<b>305-250-XXX</b> Monitor DDC self test failure	<ol style="list-style-type: none"> <li>1. <b>Run Setup to enable DDC</b></li> <li>2. Cable</li> <li>3. Monitor</li> <li>4. Video card</li> <li>5. System board</li> </ol>

<b>Diagnostic Error Code</b>	<b>FRU/Action</b>
415-000-XXX Modem Test Passed	No action
415-XXX-XXX Modem error	Remove the Modem and re-test the system

## Beep symptoms

Beep symptoms are tones or a series of tones separated by pauses (intervals without sound) See the following examples.

1-2-X	<ul style="list-style-type: none"> <li>• One beep</li> <li>• A pause (or break)</li> <li>• Two beeps</li> <li>• A pause (or break)</li> <li>• Any number of breaks</li> </ul>
4	Four continuous beeps

When a recoverable error occurs during POST, BIOS displays an error code on the video display describing the problem. If a video failure is detected, BIOS also issues a beep code (one long tone followed by two short tones) during POST.

If an external ROM module does not properly checksum to zero. An external ROM can also issue audible tones, usually consisting of one long tone followed by a series of short tones.

Use the following table to diagnose beep symptoms.

Beep Symptom	FRU/Action
1-1-3 CMOS read-write error	<ol style="list-style-type: none"> <li>1. Run Setup</li> <li>2. System Board</li> </ol>
1-2-2-3 ROM BIOS check error	System board
1-2-1 Programmable Interval Timer failed	System board
1-2-2 DMA Initialization failed	System board
1-2-3 DMA page register write/read failed	System board
1-2-4 RAM refresh verification failed	<ol style="list-style-type: none"> <li>1. Memory module</li> <li>2. System Board</li> </ol>
1-3-3-1 1st 64K RAM test failed	<ol style="list-style-type: none"> <li>1. Memory module</li> <li>2. System Board</li> </ol>
1-3-2 1st 64K RAM parity test failed	<ol style="list-style-type: none"> <li>1. Memory module</li> <li>2. Processor</li> <li>3. System Board</li> </ol>
2-2-3-1 Interrupt vector loading test failed	System board
2-1-1 Secondary DMA register failed	System board
2-1-2 Primary DMA register failed	System board
2-1-3 Primary interrupt mask register failed	System board
2-1-4 Secondary interrupt mask register failed	System board
2-2-1 Interrupt vector loading failed	System board

<b>Beep Symptom</b>	<b>FRU/Action</b>
<b>1-3-1-3</b> Keyboard controller failed	<ol style="list-style-type: none"> <li>1. <b>System Board</b></li> <li>2. Keyboard</li> </ol>
<b>2-2-3</b> CMOS power failure and checksum checks failed	<ol style="list-style-type: none"> <li>1. <b>Battery</b></li> <li>2. System Board</li> </ol>
<b>2-2-4</b> CMOS configuration info validation failed	<ol style="list-style-type: none"> <li>1. <b>Battery</b></li> <li>2. System Board</li> </ol>
<b>2-3-1</b> Screen initialization failed	<ol style="list-style-type: none"> <li>1. <b>Jumper on J28</b></li> <li>2. System Board</li> </ol>
<b>2-3-2</b> Screen memory failed	<b>System board</b>
<b>2-3-3</b> Screen retrace failed	<b>System board</b>
<b>1-2</b> Search for video ROM failed	<b>System board</b>
All other beep code sequences	<b>System board</b>
Continuous beep	<b>System Board</b>
Repeating short beeps	<ol style="list-style-type: none"> <li>1. <b>Keyboard stuck key</b></li> <li>2. Keyboard Cable</li> <li>3. System Board</li> </ol>

---

## No-beep symptoms

Symptom/Error	FRU/Action
No beep during POST but computer works correctly.	<b>System board</b>
No beep during POST.	<ol style="list-style-type: none"><li>1. See “Undetermined problems” on page 88.</li><li>2. System Board</li><li>3. Memory Module</li><li>4. Any Adapter or Device</li><li>5. Riser Card</li><li>6. Power Cord</li><li>7. Power Supply</li></ol>



## POST error codes

Each time you power-on the system, it performs a series of tests that check the operation of the system and some options. This series of tests is called the *Power-On Self-Test*, or *POST*. POST does the following operations.

- Checks some basic system-board operations
- Checks the memory operation
- Starts the video operation
- Verifies that the diskette drive is working
- Verifies that the hard disk drive is working

If the POST finishes without detecting any problems, a single beep sounds and the first screen of the operating system or application program appears.

If the POST detects a problem, an error message appears on the screen. A single problem can cause several error messages to appear. When you correct the cause of the first error message, the other error messages probably will not appear on the screen the next time you turn on the system.

In the following index, X can represent any number.

POST Error Code	FRU/Action
<b>162</b> Configuration error	Select the default settings in BIOS. See Chapter 6, "Using the Setup Utility," on page 53.
<b>164</b> Memory Size Error	<ol style="list-style-type: none"><li>1. Run the Extended Memory Diagnostic tests</li><li>2. Replace memory modules</li></ol>
<b>166</b> Boot Block Check Sum Error	<ol style="list-style-type: none"><li>1. Perform a flash update to update the BIOS level</li><li>2. System board</li></ol>
<b>167</b> No Processor BIOS update found	<ol style="list-style-type: none"><li>1. Run Setup. Check Stepping level for the BIOS level needed, then perform the flash update.</li><li>2. Replace the microprocessor</li></ol>
<b>175</b> Primary Copy of Secure Data is damaged	<ol style="list-style-type: none"><li>1. Run Setup and select default settings</li><li>2. System board</li></ol>
<b>176</b> The System has been tampered with	<ol style="list-style-type: none"><li>1. Covers were removed from the computer</li></ol>
<b>179</b> Boot Integrity Services Segment Error	<ol style="list-style-type: none"><li>1. Perform a flash update to update the BIOS level</li><li>2. System board</li></ol>
<b>184</b> Asset Control Antenna not detected	<ol style="list-style-type: none"><li>1. Make sure Asset Care and <b>Asset ID™</b> are enabled in Setup</li><li>2. RFID Antenna</li><li>3. Replace system board</li></ol>
<b>186</b> Security Hardware Control Logic Error	If problem persists, replace the system board
<b>190</b> System Security: Invalid Remote Change Requested	If problem persists, replace the system board

<b>POST Error Code</b>	<b>FRU/Action</b>
<b>191</b> System Security: Embedded Security hardware Reset	If problem persists, replace the system board
<b>192</b> System Security: Embedded Security hardware tamper detected	If problem persists, replace the system board
<b>193</b> System Security: Embedded Security hardware Removed	If problem persists, replace the system board
<b>194</b> System Security: Asset ID Antenna has been Removed	If problem persists, replace the system board
<b>195</b> System Security: Asset ID Antenna has been installed	If problem persists, replace the system board
<b>196</b> System Tampered Cleared	If problem persists, replace the system board
<b>201</b> Memory error	<ol style="list-style-type: none"> <li>1. Run Enhanced Diagnostics Memory Test</li> <li>2. Memory module</li> <li>3. System board</li> </ol>
<b>210</b> Keyboard stuck key error	<ol style="list-style-type: none"> <li>1. Check for stuck keys</li> <li>2. Replace the keyboard</li> </ol>
<b>211</b> Keyboard error	<ol style="list-style-type: none"> <li>1. Make sure keyboard is connected correctly</li> <li>2. Check for stuck keys</li> <li>3. Replace the keyboard</li> </ol>
<b>212</b> Keyboard controller error	<ol style="list-style-type: none"> <li>1. Replace the keyboard</li> <li>2. If problem persists, replace the system board</li> </ol>
<b>250</b> Battery is dead	<ol style="list-style-type: none"> <li>1. Replace the battery and run Setup</li> <li>2. If problem persists, replace the system board</li> </ol>
<b>270</b> Real time clock error	<ol style="list-style-type: none"> <li>1. Run Setup and set date and time</li> <li>2. If problem persists, replace the system board</li> </ol>
<b>271</b> Date and time out of range	<ol style="list-style-type: none"> <li>1. Run Setup and set date and time</li> <li>2. If problem persists, replace the system board</li> </ol>
<b>662</b> Configuration Change has occurred	Diskette drive configuration error or wrong diskette drive type; run Setup.
<b>1762</b> Configuration Change has occurred	<ol style="list-style-type: none"> <li>1. Run Setup and verify hard disk drive settings.</li> <li>2. Run hard disk drive diagnostics.</li> <li>3. Replace hard disk drive</li> </ol>
<b>1800</b> PCI/PnP Error! No Hardware Interrupt Available	<ol style="list-style-type: none"> <li>1. Run Setup and verify PCI/ISA configuration settings.</li> <li>2. Run diagnostics.</li> <li>3. Replace PCI Adapter</li> </ol>

<b>POST Error Code</b>	<b>FRU/Action</b>
<b>1801</b> PCI/PnP Error! No Space Available to Shadow ROM	<ol style="list-style-type: none"> <li>1. Run Setup and verify PCI/ISA configuration settings.</li> <li>2. Run diagnostics.</li> <li>3. Replace PCI Adapter</li> </ol>
<b>1802</b> PCI/PnP Error! Not Enough I/O Space Available	<ol style="list-style-type: none"> <li>1. Run Setup and verify PCI/ISA configuration settings.</li> <li>2. Run diagnostics.</li> <li>3. Replace PCI Adapter</li> </ol>
<b>1803</b> PCI/PnP Error! Not Enough Memory Space Available	<ol style="list-style-type: none"> <li>1. Run Setup and verify PCI/ISA configuration settings.</li> <li>2. Run diagnostics.</li> <li>3. Replace PCI Adapter</li> </ol>
<b>1804</b> PCI/PnP Error! Not Enough Real Memory Space Available	<ol style="list-style-type: none"> <li>1. Run Setup and verify PCI/ISA configuration settings.</li> <li>2. Run diagnostics.</li> <li>3. Replace PCI Adapter</li> </ol>
<b>1805</b> PCI/PnP Error! Adapter ROM Checksum Error	<ol style="list-style-type: none"> <li>1. Run Setup and verify PCI/ISA configuration settings.</li> <li>2. Run diagnostics.</li> <li>3. Replace PCI Adapter</li> </ol>
<b>1962</b> No operating system found	Press F1 to repeat boot sequence.
<b>5962</b> An IDE device (other than hard drive) configuration error	<ol style="list-style-type: none"> <li>1. Run Setup.</li> <li>2. CD-ROM Drive</li> <li>3. CD-ROM Adapter</li> <li>4. Zip or other ATAPI device</li> <li>5. Replace system Board</li> <li>6. Replace riser card if applicable</li> </ol>
<b>8603, 8604</b> Pointing Device Error	<ol style="list-style-type: none"> <li>1. Replace pointing device (mouse)</li> <li>2. if problem persists, replace the system board</li> </ol>

## Miscellaneous error messages

Message/Symptom	FRU/Action
CMOS Backup Battery inaccurate	<ol style="list-style-type: none"> <li>1. <b>CMOS Backup Battery</b> (see Chapter 2, "Safety information," on page 5)</li> <li>2. System Board</li> </ol>
Changing colors	<b>Display/Monitor</b>
Computer will <i>not</i> power-off. See "Power Supply Errors" on page 57.	<ol style="list-style-type: none"> <li>1. <b>Power Switch</b></li> <li>2. System Board</li> <li>3. Riser card</li> </ol>
Computer will <i>not</i> RPL from server	<ol style="list-style-type: none"> <li>1. <b>Ensure that network is in startup sequence as first device or first device after diskette</b></li> <li>2. Ensure that network adapter is enabled for RPL</li> <li>3. Network adapter (Advise network administrator of new MAC address)</li> </ol>
Computer will <i>not</i> perform a Wake On LAN <sup>®</sup> (if applicable)	<ol style="list-style-type: none"> <li>1. <b>Check power supply and signal cable connections to network adapter</b></li> <li>2. Ensure that the operating system settings are set to enable Wake on LAN<sup>®</sup></li> <li>3. Ensure Wake On LAN feature is enabled in Setup/Configuration (see "Starting the Setup Utility program" on page 53)</li> <li>4. Ensure network administrator is using correct MAC address</li> <li>5. Ensure no interrupt or I/O address conflicts</li> <li>6. Network adapter (advise network administrator of new MAC address)</li> </ol>
Dead computer. See "Power Supply Errors" on page 57.	<ol style="list-style-type: none"> <li>1. <b>Power Supply</b></li> <li>2. System Board</li> <li>3. Riser card</li> </ol>
Diskette drive in-use light remains on or does not light when drive is active.	<ol style="list-style-type: none"> <li>1. <b>Diskette Drive</b></li> <li>2. System Board</li> <li>3. Diskette Drive Cable</li> <li>4. Riser card</li> </ol>
Flashing cursor with an otherwise blank display.	<ol style="list-style-type: none"> <li>1. <b>System Board</b></li> <li>2. Primary Hard Disk Drive</li> <li>3. Hard Disk Drive Cable</li> <li>4. Riser card</li> </ol>
Incorrect memory size during POST	<ol style="list-style-type: none"> <li>1. <b>Run the Memory tests</b></li> <li>2. Memory Module</li> <li>3. System Board</li> </ol>

Message/Symptom	FRU/Action
"Insert a Diskette" icon appears with a known-good diagnostics diskette in the first 3.5-inch diskette drive.	<ol style="list-style-type: none"> <li>1. <b>System Board</b></li> <li>2. Diskette Drive Cable</li> <li>3. Riser card</li> <li>4. Network Adapter</li> </ol>
Intensity or color varies from left to right of characters and color bars	<ol style="list-style-type: none"> <li>1. <b>Display</b></li> <li>2. System Board</li> </ol>
No power or fan not running	1. <b>See "Power Supply Errors" on page 57.</b>
Non-system disk or disk error-type message with a known-good diagnostic diskette.	<ol style="list-style-type: none"> <li>1. <b>Diskette Drive</b></li> <li>2. System Board</li> <li>3. Diskette Drive Cable</li> <li>4. Riser card</li> </ol>
Other display symptoms not listed above (including blank or illegible display)	<ol style="list-style-type: none"> <li>1. <b>Display</b></li> <li>2. System Board</li> </ol>
Power-on indicator or hard disk drive in-use light not on, but computer works correctly	<ol style="list-style-type: none"> <li>1. <b>Power Supply</b></li> <li>2. System Board</li> <li>3. LED Cables</li> </ol>
Printer problems	1. <b>Printer</b>
Program loads from the hard disk with a known-good diagnostics diskette in the first 3.5-inch diskette drive	<ol style="list-style-type: none"> <li>1. <b>Run Setup</b></li> <li>2. Diskette Drive</li> <li>3. Diskette Drive Cable</li> <li>4. System Board</li> <li>5. Riser card</li> <li>6. Power Supply</li> </ol>
RPL computer cannot access programs from its own hard disk.	<ol style="list-style-type: none"> <li>1. <b>If network administrator is using LCCM Hybrid RPL, check startup sequence:</b> <ol style="list-style-type: none"> <li>a. <b>First device - network</b></li> <li>b. <b>Second device - hard disk</b></li> </ol> </li> <li>2. Hard disk drive</li> </ol>
RPL computer does not RPL from server	<ol style="list-style-type: none"> <li>1. <b>Check startup sequence</b></li> <li>2. Check the network adapter LED status</li> </ol>
Serial or parallel port device failure (system board port)	<ol style="list-style-type: none"> <li>1. <b>External Device Self-Test OK?</b></li> <li>2. External Device</li> <li>3. Cable</li> <li>4. System Board</li> </ol>
Serial or parallel port device failure (adapter port)	<ol style="list-style-type: none"> <li>1. <b>External Device Self-Test OK?</b></li> <li>2. External Device</li> <li>3. Cable</li> <li>4. Alternate Adapter</li> <li>5. System Board</li> </ol>

Message/Symptom	FRU/Action
Some or all keys on the keyboard do not work	<ol style="list-style-type: none"> <li>1. <b>Keyboard</b></li> <li>2. Keyboard Cable</li> <li>3. System Board</li> </ol>

---

## Undetermined problems

Check the power supply voltages (see “Power Supply Errors” on page 57) If the voltages are correct, return here and continue with the following steps.

1. Power-off the computer.
2. Remove or disconnect the following components (if installed) one at a time.
  - a. External devices (modem, printer, or mouse)
  - b. Any adapters
  - c. Riser card
  - d. Memory modules
  - e. Extended video memory
  - f. External Cache
  - g. External Cache RAM
  - h. Hard disk drive
  - i. Diskette drive
3. Power-on the computer to re-test the system.
4. Repeat steps 1 through 3 until you find the failing device or adapter.

If all devices and adapters have been removed, and the problem continues, replace the system board.

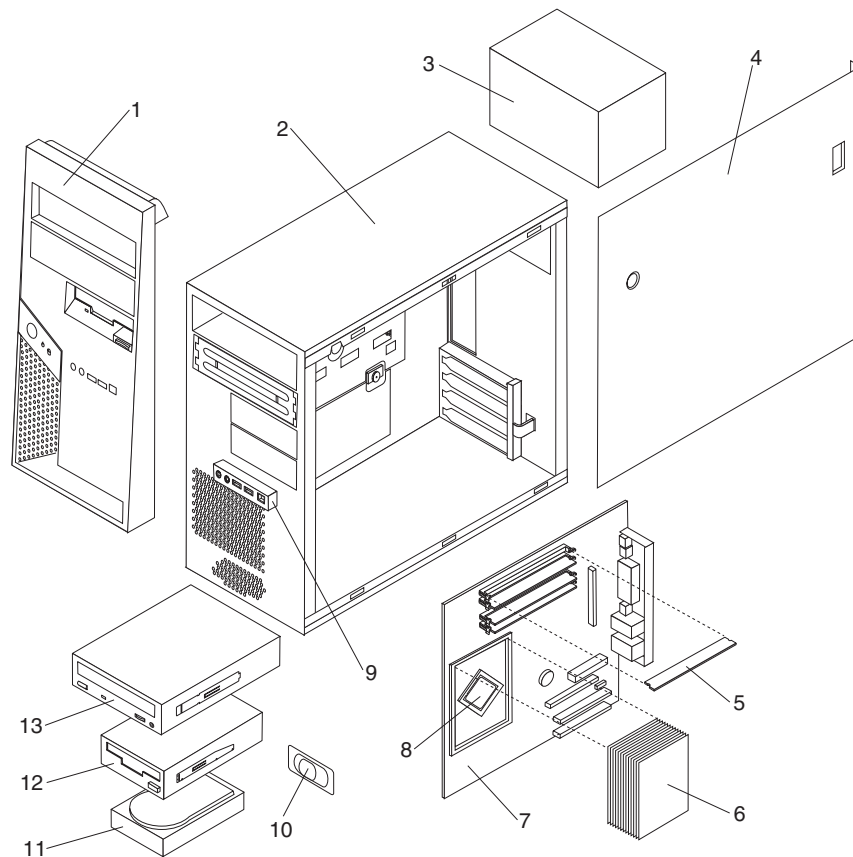
---

## Chapter 8. FRU lists

This section lists field replaceable units (FRUs) for all machine types.

**Note:** A CRU (Customer Replaceable Unit) is identified by a single asterisk (\*) or two asterisks (\*\*) in the CRU ID column. An N in the CRU ID Column means that the part is not a CRU. A single asterisk (\*) means that the part is a Tier 1 CRU; two asterisks (\*\*) mean that the part is a Tier 2 CRU.

# Machine Type 8287



Item #	8287 FRUs	FRU#	CRU
1	Bezel Asm (all models)	41A7807	*
2	Chassis Asm (all models)	41A7808	N
3	Power supply, 310 W, standard (models CTO B1K D1K D1R D2K D2R D3U D3F D4U D4F D5U D5F D6U D6F D7K D8M D9M DAK DCM DDM DEM DFM E1U E1F E2U E2F E3U E3F E4U E4F E5K E5R E6K E6R E7K E8M E9M EAK EBM F1U F1F F2U F2F F3U F3F F4U F4F F5U F5F F6K F6R F7K G1U G1F G2M G3M G4M 71G C1U C2U C3U C4U B2A B2T B3K B4K B5K )	24R2596	**
3	Power supply, 310 Watt Standard, DMO (models 61K 62K 63K G6M G7M G8M G9M GAM GBM GCM GDM GEK GFK GGK 98K 99K 9AK 2AU 2BU 2BF 2CU 2DU 54U 55U 55F 56U 56F 57U 57F E1K E4K 31K GKU GLU GLF GMU GMF GPK J1K J2U J3U J3F J6U J6F C8U C8F CTO B1K D1K D1R D2K D2R D3U D3F D4U D4F D5U D5F D6U D6F D7K D8M D9M DAK DCM DDM DEM DFM E1U E1F E2U E2F E3U E3F E4U E4F E5K E5R E6K E6R E7K E8M E9M EAK EBM F1U F1F F2U F2F F3U F3F F4U F4F F5U F5F F6K F6R F7K G1U G1F G2M G3M G4M 71G C1U C2U C3U C4U B2A B2T B3K B4K B5K 42U 42F 43M 44M 45K 46K 47U 47F 48K 49U 49F 4AK H1M H2M H3M H4M H5K H5R H6K H6R H7K H7R H8U H8F H9U H9F HAU HAF HBU HBF 81U 81F 82M 83M 84M 91U 91F 92U 92F 93M 94M 95M 96M 97K 97R 72G C5U C6U C7U)	41N3143	**
3	Power supply, 310 W (China) (models CTO-A CTO-L A1Q A2Q A3V 21Q 22Q DBV DGV ECV EDB EDH EDV G5V)	24R2598	**
3	Power supply, 310 Watt Robust, DMO (models CTO-A CTO-L A1Q A2Q A3V 21Q 22Q DBV DGV ECV EDB EDH EDV G5V B2Q 85V B6S B6Y 29S 29Y 51S 51Y 52S 52Y 53S 53Y GHS GHY GJS GJY GNV J4V J5Q 87S 87Y)	41N3366	**



Item #	8287 FRUs	FRU#	CRU
4	Cover (all models)	39M0465	*
5	Memory module, 256MB, DDR2 SDRAM, NP (PC 4200) (models CTO A1Q A2Q A3V 21Q 22Q DBV DGV ECV EDB EDH EDV G5V B2A B2Q B2T 85V B6S B6Y 29S 29Y 51S 51Y)	30R5120	*
5	Memory module, 512MB, DDR2 SDRAM, NP (PC 4200) (models J2U J3U J3F J4V J5Q J6U J6F 87S 87Y CTO B1K D1K D1R D2K D2R D3U D3F D4U D4F D5U D5F D6U D6F D7K D8M D9M DAK DCM DDM DEM DFM E1U E1F E2U E2F E3U E3F E4U E4F E5K E5R E6K E6R E7K E8M E9M EAK EBM F1U F1F F2U F2F F3U F3F F4U F4F F5U F5F F6K F6R F7K G1U G1F G2M G3M G4M 71G B3K B4K B5K 42U 42F 43M 44M 45K 46K 47U 47F 48K 49U 49F 4AK H8U H8F H9U H9F HAU HAF HBU HBF 81U 81F 82M 83M 84M 91U 91F 92U 92F 72G 2AU 2BU 2BF 2CU 2DU 52S 52Y 53S 53Y 54U 55U 55F 56U 56F 57U 57F E1K E4K GHS GHY GJS GJY GJU GLU GLF GMU GMF GNV)	30R5121	*
5	Memory module, 1GB, DDR2 SDRAM, NP (PC 4200) (models CTO H1M H2M H3M H4M H5K H5R H6K H6R H7K H7R 93M 94M 95M 96M 97K 97R G6M G7M G8M G9M GAM GBM GCM GDM)	30R5122	*
5	Memory module, 2GB, DDR2 SDRAM, NP (PC 4200) (models CTO)	30R5123	*
5	Memory module, 256MB, DDR2 SDRAM, NP (PC 5300) (models CTO)	30R5124	*
5	Memory module, 512MB, DDR2 SDRAM, NP (PC 5300) (models CTO 61K 62K 63K GEK GFK 98K 99K 31K GPK)	30R5125	*
5	Memory module, 1GB, DDR2 SDRAM, NP (PC 5300) (models CTO GGK 9AK J1K)	30R5126	*
6	Heat sink (all models)	39M0538	**
7	System board, (models 72G C5U C6U C7U 61K 62K 63K G6M G7M G8M G9M GAM GBM GCM GDM GEK GFK GGK 98K 99K 9AK B6S B6Y 29S 29Y 2AU 2BU 2BF 2CU 2DU 51S 51Y 52S 52Y 53S 53Y 54U 55U 55F 56U 56F 57U 57F E1K E4K 31K GHS GHY GJS GJY GJU GLU GLF GMU GMF GNV GPK J1K J2U J3U J3F J4V J5Q J6U J6F C8U C8F 87S 87Y CTO A1Q A2Q A3V B1K 21Q 22Q D1K D1R D2K D2R D3U D3F D4U D4F D5U D5F D6U D6F D7K D8M D9M DAK DBV DCM DDM DEM DFM DGV E1U E1F E2U E2F E3U E3F E4U E4F E5K E5R E6K E6R E7K E8M E9M EAK EBM ECV EDB EDH EDV F1U F1F F2U F2F F3U F3F F4U F4F F5U F5F F6K F6R F7K G1U G1F G2M G3M G4M G5V 71G C1U C2U C3U C4U B2A B2Q B2T B3K B4K B5K 42U 42F 43M 44M 45K 46K 47U 47F 48K 49U 49F 4AK H1M H2M H3M H4M H5K H5R H6K H6R H7K H7R H8U H8F H9U H9F HAU HAF HBU HBF 81U 81F 82M 83M 84M 85V 91U 91F 92U 92F 93M 94M 95M 96M 97K 97R)	41X0161	N
8	Microprocessor, Celeron 2.53GHz, 533 FSB, 256KB L2 (models CTO)	39J7016	**
8	Microprocessor, Celeron 2.66GHz, 533 FSB, 256KB L2 (models CTO)	39J7017	**
8	Microprocessor, Celeron 2.80GHz, 533 FSB, 256KB L2 (models CTO A1Q A2Q A3V)	39J7018	**
8	Microprocessor, Celeron 2.93GHz, 533 FSB, 256KB L2 (models CTO B1K)	39J7019	**
8	Microprocessor, Celeron 3.06GHz, 533 FSB, 256KB L2 (models CTO B2A B2Q B2T B6S B6Y)	39J7020	**
8	Microprocessor, Celeron 3.20GHz, 533 FSB, 256KB L2 (models CTO)	39J9696	**
8	Microprocessor, Pentium 4 2.66GHz, 533 FSB, 1MB L2 (models CTO)	41D0690	**
8	Microprocessor, Pentium 4 2.93GHz, 533 FSB, 1MB L2 (models CTO)	41D0692	**
8	Microprocessor, Pentium 4 3.06GHz, 533 FSB, 1MB L2 (models CTO 21Q 22Q 71G)	41D0694	**
8	Microprocessor, Pentium 4 2.8GHz, 800 FSB, 1MB L2 (models CTO 42U 42F 43M 44M 45K 46K 47U 47F 48K 49U 49F 4AK 72G)	39J7021	**
8	Microprocessor, Pentium 4 3.06GHz 533MHz FSB 1MB L2 (models CTO 29S 29Y 2AU 2BU 2BF 2CU 2DU)	41T4104	**

Item #	8287 FRUs	FRU#	CRU
8	Microprocessor, Pentium 4 3.0GHz, 800 FSB, 1MB L2 (models CTO 51S 51Y)	39J7022	**
8	Microprocessor, Pentium 4 3.2GHz, 800 FSB, 1MB L2 (models CTO 52S 52Y 53S 53Y 54U 55U 55F 56U 56F 57U 57F)	39J7023	**
8	Microprocessor, Pentium 4 3.4GHz, 800 FSB, 1MB L2 (models CTO)	39J7024	**
8	Microprocessor, Prescott 2.8GHZ P4, (800FSB, 2MB (models CTO 61K 62K 63K)	41X2412	**
8	Microprocessor, Pentium 4 3.0GHz, 800 FSB, 2MB L2 (models CTO D1K D1R D2K D2R D3U D3F D4U D4F D5U D5F D6U D6F D7K D8M D9M DAK DBV DCM DDM DEM DFM DGV C1U)	39J7025	**
8	Microprocessor, Pentium 4 3.0GHz, Cedar Mill 800 FSB, 2MB L2 (models CTO)	41D5054	**
8	Microprocessor, Pentium 4 3.2GHz, 800 FSB, 2MB L2 (models CTO E1U E1F E2U E2F E3U E3F E4U E4F E5K E5R E6K E6R E7K E8M E9M EAK EBM ECV EDB EDH EDV C2U E1K E4K)	39J7026	**
8	Microprocessor, Pentium 4 3.2GHz, Cedar Mill 800 FSB, 2MB L2 (models CTO)	41D5056	**
8	Microprocessor, Pentium 4 3.4GHz, 800 FSB, 2MB L2 (models CTO F1U F1F F2U F2F F3U F3F F4U F4F F5U F5F F6K F6R F7K C3U H1M H2M H3M H4M H5K H5R H6K H6R H7K H7R H8U H8F H9U H9F HAU HAF HBU HBF C5U)	39J7027	**
8	Microprocessor, Pentium 4 3.4GHz, Cedar Mill 800 FSB, 2MB L2 (models CTO)	41D5058	**
8	Microprocessor, Pentium 4 3.6GHz, Cedar Mill 800 FSB, 2MB L2 (models CTO)	41D5060	**
8	Microprocessor, Pentium D Processor 2.66 GHz 533MHz FSB 2Mx1 L2 B0-Value (models CTO 31K)	TBD	**
8	Microprocessor, Smithfield Pentium 4 2.8.4GHz, 800 FSB, 2x1MB L2 (models CTO G1U G1F G2M G3M G4M G5V C4U G6M G7M G8M G9M GAM GBM GCM GDM GEK GFK GKK GHS GHY GJS GJY GKU GLU GLF GMU GMF GNV GPK)	39J8469	**
8	Microprocessor, Pentium D 2.8GHz, 800 FSB, 2x2MB L2 (models CTO 81U 81F 82M 83M 84M 85V C6U)	41D5062	**
8	Microprocessor, Pentium D Processor 3.0 GHz 800MHz FSB 2Mx2 L2 C1-Value (models CTO 87S 87Y)	TBD	**
8	Microprocessor, Pentium D, 3.0GHz, 800MHz FSB, 2MBx2 L2 (models CTO 91U 91F 92U 92F 93M 94M 95M 96M 97K 97R C7U 98K 99K 9AK)	41D5052	**
8	Microprocessor, Pentium D Processor 3.2 GHz 800MHz FSB 2Mx2 L2 C1-Value (models CTO J1K J2U J3U J3F J4V J5Q J6U J6F C8U C8F)	TBD	**
9	Front panel card Asm (all models)	26K1183	**
10	Speaker Asm, Soldered Terminals (all models)	39P5023	**
11	Hard disk drive, 40GB, 7200RPM, Serial ATA (models CTO D3U D3F)	40Y8760	**
11	Hard disk drive, 40GB, 7200RPM, Serial ATA (models CTO D3U D3F)	40Y9033	**
11	Hard disk drive, 80GB, 7200RPM, Serial ATA (models CTO A1Q A2Q A3V B1K 21Q 22Q D1K D1R D4U D4F D5U D5F D6U D6F D7K D8M D9M DBV DEM DFM DGV E1U E1F E2U E2F E4U E4F E5K E5R E7K E8M E9M ECV EDB EDH EDV F1U F1F F2U F2F F4U F4F G2M G3M G5V 71G B2A B2Q B2T B3K B4K 43M 44M 46K 47U 47F 48K 49U 49F H8U H8F H9U H9F 82M 83M 85V 72G 61K 63K GEK 98K B6S B6Y 29S 29Y 2AU 2BU 2BF 51S 51Y 52S 52Y 53S 53Y 54U 55U 55F 56U 56F E1K E4K 31K GHS GHY GJS GJY GKU GLU GLF GMU GMF GNV GPK J2U J3U J3F J4V J5Q 87S 87Y)	40Y8761	**

Item #	8287 FRUs	FRU#	CRU
11	Hard disk drive, 80GB, 7200RPM, Serial ATA (models CTO A1Q A2Q A3V B1K 21Q 22Q D1K D1R D4U D4F D5U D5F D6U D6F D7K D8M D9M DBV DEM DFM DGV E1U E1F E2U E2F E4U E4F E5K E5R E7K E8M E9M ECV EDB EDH EDV F1U F1F F2U F2F F4U F4F G2M G3M G5V 71G B2A B2Q B2T B3K B4K 43M 44M 46K 47U 47F 48K 49U 49F H8U H8F H9U H9F 82M 83M 85V 72G 61K 63K GEK 98K B6S B6Y 29S 29Y 2AU 2BU 2BF 51S 51Y 52S 52Y 53S 53Y 54U 55U 55F 56U 56F E1K E4K 31K GHS GHY GJS GJY GKU GLU GLF GMU GMF GNV GPK J2U J3U J3F J4V J5Q 87S 87Y)	40Y9034	**
11	Hard disk drive, 160GB, 7200RPM, Serial ATA (models CTO D2K D2R DAK DCM DDM E3U E3F E6K E6R EAK EBM F6K F6R G4M B5K 42U 42F 45K 4AK H1M H2M H6K H6R H7K H7R 84M 92U 92F 93M 94M 97K 97R 62K G6M G7M G8M G9M GAM GBM GCM GDM GFK G GK 99K 9AK 2CU 2DU 57U 57F J1K J6U J6F)	40Y8762	**
11	Hard disk drive, 160GB, 7200RPM, Serial ATA (models CTO D2K D2R DAK DCM DDM E3U E3F E6K E6R EAK EBM F6K F6R G4M B5K 42U 42F 45K 4AK H1M H2M H6K H6R H7K H7R 84M 92U 92F 93M 94M 97K 97R 62K G6M G7M G8M G9M GAM GBM GCM GDM GFK G GK 99K 9AK 2CU 2DU 57U 57F J1K J6U J6F)	40Y9035	**
11	Hard disk drive, 250GB, 7200RPM, Serial ATA (models CTO F3U F3F F5U F5F F7K G1U G1F H3M H4M H5K H5R HAU HAF HBU HBF 81U 81F 91U 91F 95M 96M)	40Y8763	**
11	Hard disk drive, 250GB, 7200RPM, Serial ATA (models CTO F3U F3F F5U F5F F7K G1U G1F H3M H4M H5K H5R HAU HAF HBU HBF 81U 81F 91U 91F 95M 96M)	40Y9036	**
12	Diskette drive, 1.44MB, 3-mode, w/o bezel (models CTO A1Q A2Q A3V 21Q 22Q D8M DGV ECV EDB EDH EDV G5V B2A B2Q B2T B3K B4K B5K 45K 46K 48K 4AK H5K H5R H6K H6R 85V 97K 97R B6S B6Y 29S 29Y 51S 51Y 52S 52Y 53S 53Y GHS GHY GJS GJY GNV J4V J5Q 87S 87Y)	40Y9107	*
12	Diskette drive, 1.44MB, 3-mode, w/o bezel (models CTO A1Q A2Q A3V 21Q 22Q D8M DGV ECV EDB EDH EDV G5V B2A B2Q B2T B3K B4K B5K 45K 46K 48K 4AK H5K H5R H6K H6R 85V 97K 97R B6S B6Y 29S 29Y 51S 51Y 52S 52Y 53S 53Y GHS GHY GJS GJY GNV J4V J5Q 87S 87Y)	40Y9105	*
12	Diskette drive, 1.44MB, 3-mode, w/o bezel (models CTO A1Q A2Q A3V 21Q 22Q D8M DGV ECV EDB EDH EDV G5V B2A B2Q B2T B3K B4K B5K 45K 46K 48K 4AK H5K H5R H6K H6R 85V 97K 97R B6S B6Y 29S 29Y 51S 51Y 52S 52Y 53S 53Y GHS GHY GJS GJY GNV J4V J5Q 87S 87Y)	40Y9113	*
13	CD-ROM drive 48X (models CTO A1Q A2Q 21Q 22Q D4U D4F D7K E1U E1F E7K F1U F1F B2A B2Q B2T B4K 48K 49U 49F H7K H7R H8U H8F 63K B6S B6Y 29S 29Y 2AU 51S 51Y 52S 52Y 54U E1K GHS GHY GKU GPK J2U)	40Y8955	*
13	CD-ROM drive 48X (models CTO A1Q A2Q 21Q 22Q D4U D4F D7K E1U E1F E7K F1U F1F B2A B2Q B2T B4K 48K 49U 49F H7K H7R H8U H8F 63K B6S B6Y 29S 29Y 2AU 51S 51Y 52S 52Y 54U E1K GHS GHY GKU GPK J2U)	40Y8929	*
13	CD-ROM drive 48X (models CTO A1Q A2Q 21Q 22Q D4U D4F D7K E1U E1F E7K F1U F1F B2A B2Q B2T B4K 48K 49U 49F H7K H7R H8U H8F 63K B6S B6Y 29S 29Y 2AU 51S 51Y 52S 52Y 54U E1K GHS GHY GKU GPK J2U)	40Y8953	*
13	CD-ROM drive 48X (models CTO A1Q A2Q 21Q 22Q D4U D4F D7K E1U E1F E7K F1U F1F B2A B2Q B2T B4K 48K 49U 49F H7K H7R H8U H8F 63K B6S B6Y 29S 29Y 2AU 51S 51Y 52S 52Y 54U E1K GHS GHY GKU GPK J2U)	40Y8807	*
13	CD-RW drive (48X/32X/48X) (models CTO)	40Y8901	*
13	CD-RW drive (48X/32X/48X) (models CTO)	40Y8937	*
13	DVD-ROM (16X/48X) - black (models CTO A3V DBV DGV ECV EDB EDH EDV G5V 71G 85V 72G GNV J4V J5Q)	40Y8931	*
13	DVD-ROM (16X/48X) - black (models CTO A3V DBV DGV ECV EDB EDH EDV G5V 71G 85V 72G GNV J4V J5Q)	40Y8933	*
13	DVD-ROM (16X/48X) - black (models CTO A3V DBV DGV ECV EDB EDH EDV G5V 71G 85V 72G GNV J4V J5Q)	40Y8935	*

Item #	8287 FRUs	FRU#	CRU
13	DVD-ROM (16X/48X) - black (models CTO A3V DBV DGV ECV EDB EDH EDV G5V 71G 85V 72G GNV J4V J5Q)	40Y8957	*
13	CD-RW/DVD-ROM Combo drive (48X/32X/48X/16X Max) (models CTO B1K D1K D1R D2K D2R D3U D3F D5U D5F DAK E2U E2F E4U E4F E5K E5R E6K E6R F2U F2F F4U F4F F6K F6R B3K B5K 45K 46K 47U 47F 4AK H5K H5R H6K H6R H9U H9F 92U 92F 97K 97R 61K 62K GEK GFK GGK 98K 99K 9AK 2BU 2BF 53S 53Y 55U 55F 56U 56F E4K 31K GJS GJY GLU GLF J1K J3U J3F 87S 87Y)	40Y8919	*
13	CD-RW/DVD-ROM Combo drive (48X/32X/48X/16X Max) (models CTO B1K D1K D1R D2K D2R D3U D3F D5U D5F DAK E2U E2F E4U E4F E5K E5R E6K E6R F2U F2F F4U F4F F6K F6R B3K B5K 45K 46K 47U 47F 4AK H5K H5R H6K H6R H9U H9F 92U 92F 97K 97R 61K 62K GEK GFK GGK 98K 99K 9AK 2BU 2BF 53S 53Y 55U 55F 56U 56F E4K 31K GJS GJY GLU GLF J1K J3U J3F 87S 87Y)	40Y8941	*
13	Multiburner Plus (models CTO D6U D6F D8M D9M DCM DDM DEM DFM E3U E3F E8M E9M EAK EBM F3U F3F F5U F5F F7K G1U G1F G2M G3M G4M 42U 42F 43M 44M H1M H2M H3M H4M HAU HAF HBU HBF 81U 81F 82M 83M 84M 91U 91F 93M 94M 95M 96M G6M G7M G8M G9M GAM GBM GCM GDM 2CU 2DU 57U 57F GMU GMF J6U J6F)	40Y8909	*

The FRUs listed in the following table are not illustrated.

8287 FRUs	FRU#	CRU
Shield, 5.25 EMC (all models)	39M0460	*
Cable, SATA (18-inch RoHs) (all models)	26K1186	*
Hard disk drive mounting bracket (all models)	39M0461	*
Cable, serial (all models)	39K5021	*
EMC shield, diskette drive (all models)	39M0464	*
Cable, diskette drive (RoHs) (all models)	26K1184	*
Fan duct Asm (all models)	39M0470	*
Power switch/LED Asm (all models)	39M0471	**
Device retaining clips (all models)	39M0473	**
Shield, system board (all models)	39M0520	N
Miscellaneous hardware kit (all models)	39M0477	**
Cable, 1394 panel mount (all models)	39M0478	**
RM kit (all models)	39K5046	N
Cable, 2 Drop IDE (all models)	39M0516	*
Hard Disk Drive Tray w/screws (all models)	39M0491	**
Universal Adapter Bracket 5.25 to 3.5-inch (all models)	32P4743	*
Battery, 3.0V (all models)	33F8354	*

8287 Keyboard (Preferred Pro, Fullsize, Stealth black)	FRU#	CRU
US English (models CTO-U CTO-G A1Q A2Q 21Q 22Q D1R D2R D3U D4U D5U D6U D8M D9M DCM DDM DEM DFM E1U E2U E3U E4U E5R E6R E8M E9M EBM EDH F1U F2U F3U F4U F5U F6R G1U G2M G3M G4M 71G B2A B2Q 42U 43M 44M 47U 49U H1M H2M H3M H4M H5R H6R H7R H8U H9U HAU HBU 81U 82M 83M 84M 91U 92U 93M 94M 95M 96M 97R 72G G6M G7M G8M G9M GAM GBM GCM GDM 2AU 2BU 2CU 2DU 54U 55U 56U 57U GKU GLU GMU J2U J3U J5Q J6U)	89P8300	*
Arabic (models CTO-G 71G 72G)	89P8301	*

8287 Keyboard (Preferred Pro, Fullsize, Stealth black)	FRU#	CRU
Belgian/French (models CTO-G 71G 72G)	89P8302	*
Belgian/UK (models CTO-G 71G 72G)	89P8303	*
Brazil/Portugese (models CTO-L)	89P8304	*
Bulgarian (models CTO-G 71G 72G)	89P8305	*
Chinese/US (models A3V DBV DGV ECV EDB EDV G5V 85V GNV J4V)	89P8306	*
Czech (models CTO-G 71G 72G)	89P8307	*
Danish (models CTO-G 71G 72G)	89P8308	*
Dutch (models CTO-G 71G 72G)	89P8309	*
French (models CTO-G 71G 72G)	89P8310	*
French Canadian 445 (models CTO-U D3F D4F D5F D6F E1F E2F E3F E4F F1F F2F F3F F4F F5F G1F 42F 47F 49F H8F H9F HAF HBF 81F 91F 92F 2BF 55F 56F 57F GLF GMF J3F J6F C8F)	89P8311	*
French Canadian 58 (models CTO-U D3F D4F D5F D6F E1F E2F E3F E4F F1F F2F F3F F4F F5F G1F 42F 47F 49F H8F H9F HAF HBF 81F 91F 92F 2BF 55F 56F 57F GLF GMF J3F J6F C8F)	89P8312	*
German (models CTO-G 71G 72G)	89P8313	*
Greek (models CTO-G 71G 72G)	89P8314	*
Hebrew (models CTO-G 71G 72G)	89P8315	*
Hungarian (models CTO-G 71G 72G)	89P8316	*
Iceland (models CTO-G 71G 72G)	89P8317	*
Italian 142 (models CTO-G 71G 72G)	89P8319	*
Korean (models B1K D1K D2K D7K DAK E5K E6K E7K EAK F6K F7K B3K B4K B5K 45K 46K 48K 4AK H5K H6K H7K 97K 61K 62K 63K GEK GFK G GK 98K 99K 9AK E1K E4K 31K GPK J1K)	89P8321	*
LA Spanish (models CTO-L B6S B6Y 29S 29Y 51S 51Y 52S 52Y 53S 53Y GHS GHY GJS GJY 87S 87Y)	89P8322	*
Norwegian (models CTO-G 71G 72G)	89P8323	*
Polish (models CTO-G 71G 72G)	89P8324	*
Portuguese (models CTO-G 71G 72G)	89P8325	*
Romanian (models CTO-G 71G 72G)	89P8326	*
Russian/Cyrillic (models CTO-G 71G 72G)	89P8328	*
Serbian/Cyrillic (models CTO-G 71G 72G)	89P8329	*
Slovak (models CTO-G 71G 72G)	89P8330	*
Spanish (models CTO-G 71G 72G)	89P8331	*
Swedish/Finn (models CTO-G 71G 72G)	89P8332	*
Swiss F/G (models CTO-G 71G 72G)	89P8333	*
Thailand (models CTO-A B2T)	89P8334	*
Turkish 440 (models CTO-G 71G 72G)	89P8335	*
Turkish 179 (models CTO-G 71G 72G)	89P8336	*
UK English (models CTO-G 71G 72G)	89P8337	*
US Euro (models CTO-G 71G 72G)	89P8338	*
Yugoslav/Latin (models CTO-G 71G 72G)	89P8339	*

<b>8287 Keyboard (Preferred Pro, USB, Stealth black)</b>	<b>FRU#</b>	<b>CRU</b>
US English (models CTO-U CTO-G)	89P9040	*
Arabic (models CTO-G)	89P9041	*
Arabic French (models CTO-G)	89P9058	*
Belgian/French (models CTO-G)	89P9042	*
Belgian/UK (models CTO-G)	89P9043	*
Brazil/Portugese (models CTO-L)	89P9044	*
Bulgarian (models CTO-G)	89P9045	*
Czech (models CTO-G)	89P9047	*
Danish (models CTO-G)	89P9048	*
Dutch (models CTO-G)	89P9049	*
French (models CTO-G)	89P9050	*
French Canadian 445 (models CTO-U)	89P9051	*
French Canadian 58 (models CTO-U)	89P9052	*
German (models CTO-G)	89P9053	*
Greek 319 (models CTO-G)	89P9054	*
Greek 459 (models CTO-G)	41A4948	*
Hebrew (models CTO-G)	89P9055	*
Hungarian (models CTO-G)	89P9056	*
Iceland (models CTO-G)	89P9057	*
Italian 141 (models CTO-G)	89P9059	*
LA Spanish (models CTO-L)	89P9062	*
Norwegian (models CTO-G)	89P9063	*
Polish (models CTO-G)	89P9064	*
Portuguese (models CTO-G)	89P9065	*
Romanian 096 (models CTO-G)	89P9066	*
Romanian 446 (models CTO-G)	89P9067	*
Russian/Cyrillic (models CTO-G)	89P9068	*
Serbian/Cyrillic (models CTO-G)	89P9069	*
Slovak (models CTO-G)	89P9070	*
Spanish (models CTO-G)	89P9072	*
Swedish/Finn (models CTO-G)	89P9073	*
Swiss F/G (models CTO-G)	89P9074	*
Thailand (models CTO-A)	89P9075	*
Turkish 440 (models CTO-G)	89P9076	*
Turkish 179 (models CTO-G)	89P9077	*
UK English (models CTO-G)	89P9078	*
US Euro (models CTO-G)	89P9079	*
Yugoslav/Latin (models CTO-G)	89P9071	*

<b>8287 mice</b>	<b>FRU#</b>	<b>CRU</b>
Mouse, Scrollpoint Optical, USB (models CTO)	41A4933	*

8287 mice	FRU#	CRU
Mouse, Scrollpoint Optical, USB Optical Wheelmouse, USB (all models EXCEPT C1U C2U C3U C4U C5U C6U C7U C8U)	41A4935	*
Mouse, PS2 Wheelmouse (models CTO)	41A4917	*

8287 Adapters and miscellaneous FRU	FRU#	CRU
Soft Modem V.90/V.44 (models CTO DDM DEM DFM H1M H3M 93M 95M G6M G7M GAM GBM)	29R9729	*
128MB DDR ATI Radeon x300SE (DMS59 connector) (models CTO D9M DFM E3U E3F E6K E6R E7K E9M EAK F3U F3F F5U F5F F6K F6R G1U G1F G3M 44M 46K 4AK H6K H6R HAU HAF HBU HBF 81U 81F 83M 91U 91F 92U 92F G7M G9M GBM GDM GSK 9AK)	39J9635	*
128MB DDR ATI RADEON X700 PRO VGA, DVI-I, TV-Out PCI-e BTX (models CTO DCM DDM EBM F7K G4M H1M H2M H3M H4M H5K H5R 84M 93M 94M 95M 96M)	39J6203	*
Nvidia GeForce 6200 P262 w/NV44 (models CTO D1K D1R DAK)	39J6213	*
PCI-E DVI-DConnection Adapter (ADD 2-R) (Full Height) (models CTO D8M DEM E8M G2M 71G 43M 82M 72G G6M G8M GAM GCM)	39J9334	*
1394 Firewire PCI LP (ATX) (models CTO D9M DBV DCM DDM DFM DGV E3U E3F E9M EBM ECV EDB EDH EDV F3U F3F F5U F5F G1U G1F G3M G4M G5V 44M H1M H2M H3M H4M HAU HAF HBU HBF 81U 81F 83M 84M 85V 91U 91F 92U 92F 93M 94M 95M 96M G7M G9M GBM GDM GNV J4V J5Q)	41D2781	*
Speakers, Jazz Infinity Active T1 (Black) (models CTO D3U D3F D6U D6F DDM DEM DFM E2U E2F E3U E3F F2U F2F F3U F3F G1U G1F H1M H3M H9U H9F HAU HAF HBU HBF 81U 81F 91U 91F 92U 92F 93M 95M G6M G7M GAM GBM)	89P8589	*
Speaker Power brick - US, Canada, LA (low voltage), Taiwan, Phillipines, Thailand (models CTO-U CTO-L CTO-A D3U D3F D6U D6F E2U E2F E3U E3F F2U F2F F3U F3F G1U G1F H9U H9F HAU HAF HBU HBF 81U 81F 91U 91F 92U 92F)	89P8571	*
Speaker Power brick - UK, Hong Kong (British version), ASEAN (models CTO-A)	89P8573	*
Speaker Brick - Europe and LA (high voltage) (models CTO-G CTO-L)	89P8575	*
Speaker Power brick (newer 2 prong) - China, Thailand, Phillipines (models CTO-A)	89P8581	*
Speaker Power brick - ANZ (models CTO-A DDM DEM DFM H1M H3M 93M 95M G6M G7M GAM GBM)	89P8579	*
Speaker Power brick - Brazil (models CTO-L)	89P8583	*
Speaker Power brick - India, South Africa (models CTO-A CTO-G)	89P8385	*
Speaker Power brick - Argentina (models CTO-L)	41A4901	*

8287 Power Cords	FRU#	CRU
Power cord - US (models CTO-U D3U D3F D4U D4F D5U D5F D6U D6F E1U E1F E2U E2F E3U E3F E4U E4F F1U F1F F2U F2F F3U F3F F4U F4F F5U F5F G1U G1F C1U C2U C3U C4U B2A B2T 42U 42F 47U 47F 49U 49F H8U H8F H9U H9F HAU HAF HBU HBF 81U 81F 91U 91F 92U 92F C5U C6U C7U B6S 29S 2AU 2BU 2BF 2CU 2DU 51S 52S 53S 54U 55U 55F 56U 56F 57U 57F GHS GJS GKU GLU GLF GMU GMF J2U J3U J3F J6U J6F C8U C8F 87S)	39M5080	*
Power cord - Brazil (models CTO-L)	39M5232	*
Power cord - LA High Volt (APU) (models CTO-L B6Y 29Y 51Y 52Y 53Y GHY GJY 87Y)	39M5067	*
Power cord - Australia/New Zealand (models CTO-A D8M D9M DCM DDM DEM DFM E8M E9M EBM G2M G3M G4M 43M 44M H1M H2M H3M H4M 82M 83M 84M 93M 94M 95M 96M G6M G7M G8M G9M GAM GBM GCM GDM)	39M5102	*

8287 Power Cords	FRU#	CRU
Power cord - Korea (models B1K D1K D1R D2K D2R D7K DAK E5K E5R E6K E6R E7K EAK F6K F6R F7K B3K B4K B5K 45K 46K 48K 4AK H5K H5R H6K H6R H7K H7R 97K 97R 61K 62K 63K GEK GFK GGK 98K 99K 9AK E1K E4K 31K GPK J1K)	39M5212	*
Power cord - Hong Kong (models CTO-A)	39M5151	*
Power cord - UK, Ireland, Singapore, Malaysia, Brunei (models CTO-G CTO-A 71G B2A 72G)	39M5150	*
Power cord - Taiwan (models A3V DBV DGV ECV EDV G5V 85V GNV J4V)	39M5246	*
Power cord - Italy/Chile (models CTO-G 71G 72G B6S B6Y 29S 29Y 51S 51Y 52S 52Y 53S 53Y GHS GHY GJS GJY 87S 87Y)	39M5164	*
Power cord - G models (models CTO-G 71G 72G)	39M5122	*
Power cord - Denmark (models CTO-G 71G 72G)	39M5129	*
Power cord - Switzerland (models CTO-G 71G 72G)	39M5157	*
Power cord - Israel (models CTO-G 71G 72G)	39M5171	*
Power cord - South Africa (models CTO-G D8M D9M DCM DDM DEM DFM E8M E9M EBM G2M G3M G4M 71G B2A 43M 44M H1M H2M H3M H4M 82M 83M 84M 93M 94M 95M 96M 72G G6M G7M G8M G9M GAM GBM GCM GDM)	39M5143	*
Power cord - India (models CTO-A A1Q A2Q 21Q 22Q B2Q J5Q)	39M5004	*

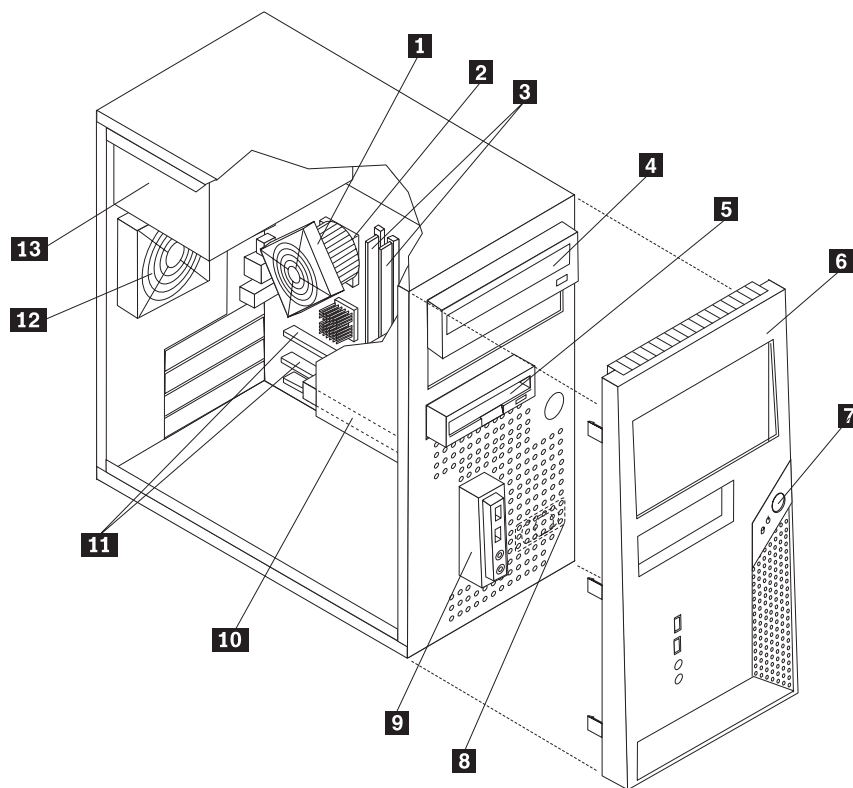
8287 Windows XP Home Recovery CDs	FRU #	CRU
US/UK/AP/TH (models D1R D2R D3U D6U DDM DEM DFM E5R E6R F6R H1M H3M H5R H6R 93M 95M 97R G6M G7M GAM GBM)	41T1810	*
FR/CF (models D3F D6F)	41T4170	*
Korean (models B1K D1K D2K D7K DAK E5K E6K E7K EAK F6K F7K B3K B4K B5K 45K 46K 48K 4AK H5K H6K 97K 61K 62K 63K GEK GFK GGK 98K 99K 9AK 31K GPK J1K)	39T9194	*

8287 Windows XP Pro Recovery CDs	FRU#	CRU
US/UK/AP/TH (models A2Q 22Q D4U D5U D8M D9M DCM E1U E2U E3U E4U E8M E9M EBM EDH F1U F2U F3U F4U F5U G1U G2M G3M G4M 71G B2A B2Q B2T 42U 43M 44M 47U 49U H2M H4M H8U H9U HAU HBU 81U 82M 83M 84M 91U 92U 94M 96M 72G G8M G9M GCM GDM 2AU 2BU 2CU 2DU 54U 55U 56U 57U GKU GLU GMU J2U J3U J5Q J6U)	41T1809	*
RE (models 71G 72G)	41T4985	*
FR/CF (models D4F D5F E1F E2F E3F E4F F1F F2F F3F F4F F5F G1F 71G 42F 47F 49F H8F H9F HAF HBF 81F 91F 92F 72G 2BF 55F 56F 57F GLF GMF J3F J6F)	41T4134	*
GR (models 71G 72G)	41T4135	*
SP/LA (models 71G 72G B6S B6Y 29S 29Y 51S 51Y 52S 52Y 53S 53Y GHS GHY GJS GJY 87S 87Y)	41T4136	*
IT (models 71G 72G)	41T4137	*
SV (models 71G 72G)	41T4139	*
DK (models 71G 72G)	41T4991	*
FI (models 71G 72G)	41T4997	*
NO (models 71G 72G)	41T5003	*
NL (models 71G 72G)	41T5009	*
HE (models 71G 72G)	41T5015	*
PL (models 71G 72G)	41T5021	*



8287 Windows XP Pro Recovery CDs	FRU#	CRU
CZ (models 71G 72G)	41T5027	*
AE (models 71G 72G)	41T5033	*
RU (models 71G 72G)	41T5039	*
TR (models 71G 72G)	41T5045	*
HU (models 71G 72G)	41T5051	*
PO (models 71G 72G)	41T5057	*
GK (models 71G 72G)	41T5063	*
SL (models 71G 72G)	41T5069	*
Taiwan-TC (models A3V DBV DGV ECV EDV G5V 85V GNV J4V)	39T9154	*
Hong Kong-TC (models EDB)	39T9170	*
Korea (models E1K E4K)	39T9186	*
Multilingual 1 (models 71G 72G)	41T4206	*
Multilingual 2 (models 71G 72G)	41T5159	*

## Machine Type 8288



Item #	8288 FRUs	FRU#	CRU
1	Intel-Circular Radial Fin Fansink for 84W CPUs (all models)	41D3552	**
2	Microprocessor 2.53GHZ Celeron Prescott P4 (533 FSB, 256KB) (models CTO)	41T1693	**
2	Microprocessor 2.66GHZ Celeron Prescott P4 (533 FSB, 256KB) (models CTO A1U A1F A2U A2F 71G 72G C1U)	41T1694	**

Item #	8288 FRUs	FRU#	CRU
2	Microprocessor 2.8GHZ Celeron Prescott P4 (533 FSB, 256KB) (models CTO A3M A4A A4Q A4T A5A A5Q A5T A6V A7M A8M A9K A9R AAM ABU ABF ACU ACF ADU ADF AEU AEF C2U AFA AFQ AFT)	41T1695	**
2	Microprocessor 2.93GHZ Celeron Prescott P4 (533 FSB, 256KB) (models CTO B1V B2K B2R C3U B7A B7Q B7T)	41T1696	**
2	Microprocessor 3.06GHZ Celeron Prescott P4 (533 FSB, 256KB) (models CTO B3V B4B B4H B5K B5R C4U B6A B6Q B6T BES BEP BEY)	41T1697	**
2	Microprocessor 3.20GHZ Celeron Prescott P4 (533 FSB, 256KB) (models CTO B8K B9K BAK)	41T1698	**
2	Microprocessor 3.20GHZ Celeron Prescott P4 (533 FSB, 512KB) (models CTO)	41T4966	**
2	Microprocessor 3.33GHZ Celeron Prescott P4 (533 FSB, 512KB) (models CTO BBK BCK BDK)	41T4968	**
2	Microprocessor 2.66GHZ Prescott P4 (533 FSB, 1MB) (models CTO)	41T1706	**
2	Microprocessor 2.93GHZ Prescott P4 (533 FSB, 1MB) (models CTO 21U 21F 22U 22F 23U 23F 24U 24F C5U)	41T1707	**
2	Microprocessor 3.06GHZ Prescott P4 (533 FSB, 1MB) (models CTO 25U 25F 26U 26F 27U 27F 27C 27B 27H 27K 28U 28F 28M 29A 29Q 29T 2AA 2AQ 2AT 2BM 2CM 73G 74G C6U)	41T1708	**
2	Microprocessor 2.8GHZ Prescott P4 (800 FSB, 1MB) (models CTO 41U 41F 41M 42U 42F 42M 43M 44K 45K 46K 47K 48B 48H 49U 49F C9U)	41T1700	**
2	Microprocessor, Pentium 4 3.06GHz 533MHz FSB 1MB L2 (models CTO 4AS 4AP 4AY 4BU 4CU 4DU 4EU CAU)	41T4104	**
2	Microprocessor 3.0GHZ Prescott P4 (800 FSB, 1MB) (models CTO)	41T1701	**
2	Microprocessor 3.2GHZ Prescott P4 (800 FSB, 1MB) (models CTO 33S 33P 33Y 34S 34P 34Y 35U 36U 37U)	41T1702	**
2	Microprocessor 3.4GHZ Prescott P4 (800 FSB, 1MB) (models CTO)	41T1703	**
2	Microprocessor, Pentium 4 2.8GHz, 800 FSB, 2MB L2 (models CTO 61K 62K 63K)	41X2412	**
2	Microprocessor 3.0GHZ Prescott P4 (800 FSB, 2MB) (models CTO D1U D1F D2U D2F D3M D4Q D5K D5R D6K D6R D7M D8R D9M DAU DAF DAM C7U)	41T1709	**
2	Microprocessor 3.0GHZ Cedar Mill P4 (800 FSB, 2MB) (models CTO 31Y 32C)	41T1712	**
2	Microprocessor 3.2GHZ Prescott P4 (800 FSB, 2MB) (models CTO E1U E1F E2U E2F E3K E3R E4M E5K E6K E7M E8M E9K E9R EAM C8U)	41T1710	**
2	Microprocessor 3.2GHZ Cedar Mill P4 (800 FSB, 2MB) (models CTO)	41T1713	**
2	Microprocessor 3.4GHZ Prescott P4 (800 FSB, 2MB) (models CTO F1K F1R)	41T1711	**
2	Microprocessor 3.4GHZ Cedar Mill P4 (800 FSB, 2MB) (models CTO)	41T1714	**
2	Microprocessor 3.6GHZ Cedar Mill P4 (800 FSB, 2MB) (models CTO)	41T1715	**
2	Microprocessor, Pentium D 2.66 GHz 533MHz FSB 2Mx1 L2 (models CTO GAK)	TBD	**
2	Microprocessor 2.8GHZ Smithfield P4 (800 FSB, 2x1MB) (models CTO G1M G2M G3M G1U G1F G4U G4F G5U G5F G6K G7K G8S G8P G8Y G9S G9P G9Y CBU)	41T1704	**
2	Microprocessor Pentium D 2.8GHZ 800 FSB, 2x2MB L2(models CTO)	41T1716	**
2	Microprocessor, Pentium D, 3.0 GHz, 800MHz FSB, 2MBx2 L2 (models CTO 85S 85P 85Y)	TBD	**
2	Microprocessor Pentium D 3.0GHZ 800 FSB, 2x2MB L2 (models CTO 92K)	41D5052	**
2	Microprocessor, Pentium D 3.2 GHz 800MHz FSB 2Mx2 L2 (models CTO 93K 94U 95U 96U)	TBD	**

Item #	8288 FRUs	FRU#	CRU
3	Memory module, 256MB DDR2 SDRAM NP Memory PC 4200) (models CTO A1U A1F A2U A2F A3M A4A A4Q A4T A5A A5Q A5T A6V A7M ABU ABF ADU ADF AEU AEF B1V B3V B4B B4H 21U 21F 23U 23F 24U 24F 25U 25F 26U 26F 29A 29Q 29T 2AA 2AQ 2AT D4Q 71G 72G B7A B7Q B7T BDK 61K BES BEP BEY 4AS 4AP 4AY 31S 31P 31Y GAK)	30R5120	*
3	Memory module, 512MB DDR2 SDRAM NP Memory PC 4200) (models CTO A8M A9K A9R AAM ACU ACF B2K B2R B5K B5R 22U 22F 27U 27F 27C 27B 27H 27K 28U 28F 28M 2BM 2CM D1U D1F D2U D2F D3M D5K D5R D6K D6R D7M D8R D9M DAU DAF DAM E1U E1F E2U E2F E3K E3R E4M E5K E6K E7M E8M E9K E9R EAM F1K F1R G1M G2M G3M 73G 74G B6A B6Q B6T B8K B9K BAK BBK BCK 62K 63K G1U G1F G4U G4F G5U G5F G6K G7K 92K 4BU 4CU 4DU 4EU 32C 33S 33P 33Y 34S 34P 34Y 35U 36U 37U G8S G8P G8Y G9S G9P G9Y 94U 95U 96U 85S 85P 85Y)	30R5121	*
3	Memory module, 1GB DDR2 SDRAM NP Memory PC 4200) (models CTO 93U)	30R5122	*
3	Memory module, 2GB DDR2 SDRAM NP Memory PC 4200) (models CTO)	30R5123	*
3	Memory module, 256MB DDR2 SDRAM NP Memory PC 5300) (models CTO)	30R5124	*
3	Memory module, 512MB DDR2 SDRAM NP Memory PC 5300) (models CTO)	30R5125	*
3	Memory module, 1GB DDR2 SDRAM NP Memory PC 5300) (models CTO)	30R5126	*
4	CD-ROM drive 48X (models CTO A1U A1F A2U A2F A3M A4A A4Q A4T A5A A5Q A5T A7M ABU ABF 21U 21F 22U 22F 27U 27F 27C 27B 27H 27K 29A 29Q 29T 2AA 2AQ 2AT 2BM D4Q D5K D5R B7A B7Q B7T B9K 42U 42F 42M 46K 47K 48B 48H H2K H2R H3K H3R BDK 61K G4U G4F 4AS 4AP 4AY 4BU 31S 31P 31Y 32C 33S 33P 33Y 35U GAK G8S G8P G8Y 94U)	40Y8955	*
4	CD-ROM drive 48X (models CTO A1U A1F A2U A2F A3M A4A A4Q A4T A5A A5Q A5T A7M ABU ABF 21U 21F 22U 22F 27U 27F 27C 27B 27H 27K 29A 29Q 29T 2AA 2AQ 2AT 2BM D4Q D5K D5R B7A B7Q B7T B9K 42U 42F 42M 46K 47K 48B 48H H2K H2R H3K H3R BDK 61K G4U G4F 4AS 4AP 4AY 4BU 31S 31P 31Y 32C 33S 33P 33Y 35U GAK G8S G8P G8Y 94U)	40Y8929	*
4	CD-ROM drive 48X (models CTO A1U A1F A2U A2F A3M A4A A4Q A4T A5A A5Q A5T A7M ABU ABF 21U 21F 22U 22F 27U 27F 27C 27B 27H 27K 29A 29Q 29T 2AA 2AQ 2AT 2BM D4Q D5K D5R B7A B7Q B7T B9K 42U 42F 42M 46K 47K 48B 48H H2K H2R H3K H3R BDK 61K G4U G4F 4AS 4AP 4AY 4BU 31S 31P 31Y 32C 33S 33P 33Y 35U GAK G8S G8P G8Y 94U)	40Y8953	*
4	CD-ROM drive 48X (models CTO A1U A1F A2U A2F A3M A4A A4Q A4T A5A A5Q A5T A7M ABU ABF 21U 21F 22U 22F 27U 27F 27C 27B 27H 27K 29A 29Q 29T 2AA 2AQ 2AT 2BM D4Q D5K D5R B7A B7Q B7T B9K 42U 42F 42M 46K 47K 48B 48H H2K H2R H3K H3R BDK 61K G4U G4F 4AS 4AP 4AY 4BU 31S 31P 31Y 32C 33S 33P 33Y 35U GAK G8S G8P G8Y 94U)	40Y8807	*
4	CD-RW drive (48/32X/48X) (models CTO B6A B6Q B6T)	40Y8901	*
4	CD-RW drive (48/32X/48X) (models CTO B6A B6Q B6T)	40Y8937	*
4	DVD-ROM drive (16X/48X) - black (models CTO A6V B1V B3V E6K 71G 72G 73G 74G 75G 76G 77G)	40Y8931	*
4	DVD-ROM drive (16X/48X) - black (models CTO A6V B1V B3V E6K 71G 72G 73G 74G 75G 76G 77G)	40Y8933	*
4	DVD-ROM drive (16X/48X) - black (models CTO A6V B1V B3V E6K 71G 72G 73G 74G 75G 76G 77G)	40Y8935	*
4	DVD-ROM drive (16X/48X) - black (models CTO A6V B1V B3V E6K 71G 72G 73G 74G 75G 76G 77G)	40Y8957	*

Item #	8288 FRUs	FRU#	CRU
4	CD-RW/DVD-ROM Combo drive (48X/32X/48X/16X Max) (models CTO A8M A9K A9R AAM ACU ACF B2K B2R B4B B4H B5K B5R 28U 28F 28M D3M D6K D6R D8R DAU DAF DAM E3K E3R E4M E5K E7M E9K E9R F1K F1R G1M B8K BAK 41U 41F 41M 44K 45K H1K H1R 81M 91K 91R BBK BCK 62K 63K G1U G1F G6K G7K 92K BES BEP BEY 4CU 4DU 34S 34P 34Y 36U G9S G9P G9Y 93K 95U 85S 85P 85Y)	40Y8919	*
4	CD-RW/DVD-ROM Combo drive (48X/32X/48X/16X Max) (models CTO A8M A9K A9R AAM ACU ACF B2K B2R B4B B4H B5K B5R 28U 28F 28M D3M D6K D6R D8R DAU DAF DAM E3K E3R E4M E5K E7M E9K E9R F1K F1R G1M B8K BAK 41U 41F 41M 44K 45K H1K H1R 81M 91K 91R BBK BCK 62K 63K G1U G1F G6K G7K 92K BES BEP BEY 4CU 4DU 34S 34P 34Y 36U G9S G9P G9Y 93K 95U 85S 85P 85Y)	40Y8941	*
4	Multiburner Plus (models CTO 2CM D7M D9M E6K E8M EAM G2M G3M 43M 49U 49F 82M 83M G5U G5F 4EU 37U 96U)	40Y8909	*
5	Diskette drive, 3,5", 1.44MB, 3Mode,(wo/bezel) (models CTO A4A A4Q A4T A5A A5Q A5T A6V A9K A9R B1V B2K B2R B3V B4B B4H B5K B5R 29A 29Q 29T 2AA 2AQ 2AT D4Q D5K D5R D6K D6R D8R E3K E3R E9K E9R F1K F1R B7A B7Q B7T B6A B6Q B6T H1K H1R H2K H2R H3K H3R 91K 91R BES BEP BEY 4AS 4AP 4AY 31S 31P 31Y 33S 33P 33Y 34S 34P 34Y G8S G8P G8Y G9S G9P G9Y 85S 85P 85Y)	40Y9107	*
5	Diskette drive, 3,5", 1.44MB, 3Mode,(wo/bezel) (models CTO A4A A4Q A4T A5A A5Q A5T A6V A9K A9R B1V B2K B2R B3V B4B B4H B5K B5R 29A 29Q 29T 2AA 2AQ 2AT D4Q D5K D5R D6K D6R D8R E3K E3R E9K E9R F1K F1R B7A B7Q B7T B6A B6Q B6T H1K H1R H2K H2R H3K H3R 91K 91R BES BEP BEY 4AS 4AP 4AY 31S 31P 31Y 33S 33P 33Y 34S 34P 34Y G8S G8P G8Y G9S G9P G9Y 85S 85P 85Y)	40Y9105	*
5	Diskette drive, 3,5", 1.44MB, 3Mode,(wo/bezel) (models CTO A4A A4Q A4T A5A A5Q A5T A6V A9K A9R B1V B2K B2R B3V B4B B4H B5K B5R 29A 29Q 29T 2AA 2AQ 2AT D4Q D5K D5R D6K D6R D8R E3K E3R E9K E9R F1K F1R B7A B7Q B7T B6A B6Q B6T H1K H1R H2K H2R H3K H3R 91K 91R BES BEP BEY 4AS 4AP 4AY 31S 31P 31Y 33S 33P 33Y 34S 34P 34Y G8S G8P G8Y G9S G9P G9Y 85S 85P 85Y)	40Y9113	*
6	Bezel assembly (all models)	41A7185	**
7	Power switch/LED assembly (all models)	41N5284	**
8	Speaker assembly, Soldered terminals (all models)	39P5023	**
9	Front audio/USB assembly (all models)	41A7187	**
10	Hard disk drive, 40GB (7200RPM), Serial ATA (models CTO A1U A1F A2U A2F ABU ABF ADU ADF AEU AEF 21U 21F 22U 22F 23U 23F 24U 24F 25U 25F 26U 26F 27U 27F 27C 27B 27H 27K 48B 48H)	40Y9033	*
10	Hard disk drive, 40GB (7200RPM), Serial ATA (models CTO A1U A1F A2U A2F ABU ABF ADU ADF AEU AEF 21U 21F 22U 22F 23U 23F 24U 24F 25U 25F 26U 26F 27U 27F 27C 27B 27H 27K 48B 48H)	40Y8760	*
10	Hard disk drive, 80GB (7200RPM), Serial ATA (models CTO A3M A4A A4Q A4T A5A A5Q A5T A6V A7M A8M A9K A9R AAM ACU ACF B1V B2K B2R B3V B4B B4H 28U 28F 28M 29A 29Q 29T 2AA 2AQ 2AT 2BM 2CM D1U D1F D2U D2F D3M D4Q D5K D5R D6K D6R D7M DAU DAF DAM E1U E1F E2U E2F E3K E3R E4M E7M E8M G1M G2M 71G 72G 73G 74G B7A B7Q B7T B6A B6Q B6T B8K B9K 41U 41F 41M 42U 42F 42M 43M 45K 46K 81M 82M 75G 76G 77G BBK BDK 61K 63K G1U G1F G4U G4F G6K BES BEP BEY 4AS 4AP 4AY 4BU 4DU 31S 31P 31Y 32C 33S 33P 33Y 34S 34P 34Y 35U 36U GAK G8S G8P G8Y G9S G9P G9Y 94U 95U 85S 85P 85Y)	40Y9034	*

Item #	8288 FRUs	FRU#	CRU
10	Hard disk drive, 80GB (7200RPM), Serial ATA (models CTO A3M A4A A4Q A4T A5A A5Q A5T A6V A7M A8M A9K A9R AAM ACU ACF B1V B2K B2R B3V B4B B4H 28U 28F 28M 29A 29Q 29T 2AA 2AQ 2AT 2BM 2CM D1U D1F D2U D2F D3M D4Q D5K D5R D6K D6R D7M DAU DAF DAM E1U E1F E2U E2F E3K E3R E4M E7M E8M G1M G2M 71G 72G 73G 74G B7A B7Q B7T B6A B6Q B6T B8K B9K 41U 41F 41M 42U 42F 42M 43M 45K 46K 81M 82M 75G 76G 77G BBK BDK 61K 63K G1U G1F G4U G4F G6K BES BEP BEY 4AS 4AP 4AY 4BU 4DU 31S 31P 31Y 32C 33S 33P 33Y 34S 34P 34Y 35U 36U GAK G8S G8P G8Y G9S G9P G9Y 94U 95U 85S 85P 85Y)	40Y8761	*
10	Hard disk drive, 160GB (7200RPM), Serial ATA (models CTO B5K B5R D8R D9M E5K E9K E9R EAM F1K F1R G3M BAK 44K 47K 49U 49F H1K H1R H2K H2R H3K H3R 83M 91K 91R BCK 62K G5U G5F G7K 92K 4CU 4EU 37U 96U)	40Y8762	*
10	Hard disk drive, 160GB (7200RPM), Serial ATA (models CTO B5K B5R D8R D9M E5K E9K E9R EAM F1K F1R G3M BAK 44K 47K 49U 49F H1K H1R H2K H2R H3K H3R 83M 91K 91R BCK 62K G5U G5F G7K 92K 4CU 4EU 37U 96U)	40Y9035	*
10	Hard disk drive, 250GB (7200RPM), Serial ATA (models CTO E6K 93U)	40Y8763	*
10	Hard disk drive, 250GB (7200RPM), Serial ATA (models CTO E6K 93U)	40Y9036	*
11	System board, 945GZ (models B7A B7Q B7T B6A B6Q B6T B8K B9K BAK 41U 41F 41M 42U 42F 42M 43M 44K 45K 46K 47K 48B 48H 49U 49F H1K H1R H2K H2R H3K H3R 81M 82M 83M 91K 91R 75G 76G 77G C9U BBK BCK BDK 61K 62K 63K G1U G1F G4U G4F G5U G5F G6K G7K 92K BES BEP BEY 4AS 4AP 4AY 4BU 4CU 4DU 4EU 31S 31P 31Y 32C 33S 33P 33Y 34S 34P 34Y 35U 36U 37U GAK G8S G8P G8Y G9S G9P G9Y 93K 94U 95U 96U CAU CBU 85S 85P 85Y CTO A1U A1F A2U A2F A3M A4A A4Q A4T A5A A5Q A5T A6V A7M A8M A9K A9R AAM ABU ABF ACU ACF ADU ADF AEU AEF B1V B2K B2R B3V B4B B4H B5K B5R 21U 21F 22U 22F 23U 23F 24U 24F 25U 25F 26U 26F 27U 27F 27C 27B 27H 27K 28U 28F 28M 29A 29Q 29T 2AA 2AQ 2AT 2BM 2CM D1U D1F D2U D2F D3M D4Q D5K D5R D6K D6R D7M D8R D9M DAU DAF DAM E1U E1F E2U E2F E3K E3R E4M E5K E6K E7M E8M E9K E9R EAM F1K F1R G1M G2M G3M 71G 72G 73G 74G C1U C2U C3U C4U C5U C6U C7U C8U)	41D2471	N
11	System board, 945GZ (models B7A B7Q B7T B6A B6Q B6T B8K B9K BAK 41U 41F 41M 42U 42F 42M 43M 44K 45K 46K 47K 48B 48H 49U 49F H1K H1R H2K H2R H3K H3R 81M 82M 83M 91K 91R 75G 76G 77G C9U BBK BCK BDK 61K 62K 63K G1U G1F G4U G4F G5U G5F G6K G7K 92K BES BEP BEY 4AS 4AP 4AY 4BU 4CU 4DU 4EU 31S 31P 31Y 32C 33S 33P 33Y 34S 34P 34Y 35U 36U 37U GAK G8S G8P G8Y G9S G9P G9Y 93K 94U 95U 96U CAU CBU 85S 85P 85Y CTO A1U A1F A2U A2F A3M A4A A4Q A4T A5A A5Q A5T A6V A7M A8M A9K A9R AAM ABU ABF ACU ACF ADU ADF AEU AEF B1V B2K B2R B3V B4B B4H B5K B5R 21U 21F 22U 22F 23U 23F 24U 24F 25U 25F 26U 26F 27U 27F 27C 27B 27H 27K 28U 28F 28M 29A 29Q 29T 2AA 2AQ 2AT 2BM 2CM D1U D1F D2U D2F D3M D4Q D5K D5R D6K D6R D7M D8R D9M DAU DAF DAM E1U E1F E2U E2F E3K E3R E4M E5K E6K E7M E8M E9K E9R EAM F1K F1R G1M G2M G3M 71G 72G 73G 74G C1U C2U C3U C4U C5U C6U C7U C8U)	41X2050	N
12	System fan (mod els)	TBD	**
13	Power supply (230W) (models 91K 91R 75G 76G 77G C9U BBK BCK BDK 61K 62K 63K G1U G1F G4U G4F G5U G5F G6K G7K 92K 4BU 4CU 4DU 4EU 35U 36U 37U GAK 93K 94U 95U 96U CAU CBU CTO A1U A1F A2U A2F A3M A4A A4T A5A A5T A7M A8M A9K A9R AAM ABU ABF ACU ACF ADU ADF AEU AEF B2K B2R B5K B5R 21U 21F 22U 22F 23U 23F 24U 24F 25U 25F 26U 26F 27U 27F 27K 28U 28F 28M 29A 29T 2AA 2AT 2BM 2CM D1U D1F D2U D2F D3M D5K D5R D6K D6R D7M D8R D9M DAU DAF DAM E1U E1F E2U E2F E3K E3R E4M E5K E6K E7M E8M E9K E9R EAM F1K F1R G1M G2M G3M 71G 72G 73G 74G C1U C2U C3U C4U C5U C6U C7U C8U B7A B7T B6A B6T B8K B9K BAK 41U 41F 41M 42U 42F 42M 43M 44K 45K 46K 47K 49U 49F H1K H1R H2K H2R H3K H3R 81M 82M 83M)	41N3094	**

Item #	8288 FRUs	FRU#	CRU
13	Power supply (230W) (China) (models CTO-A CTO-L A4Q A5Q A6V B1V B3V B4B B4H 27C 27B 27H 29Q 2AQ D4Q B7Q B6Q 48B 48H BES BEP BEY 4AS 4AP 4AY 31S 31P 31Y 32C 33S 33P 33Y 34S 34P 34Y G8S G8P G8Y G9S G9P G9Y 85S 85P 85Y)	24R2592	**

The FRUs listed in the following table are not illustrated.

8288 FRUs	FRU#	CRU
Shield, 5.25 EMC (all models)	41A7178	**
Cable, SATA (18" RoHs) (all models)	26K1186	**
Cable, Serial (all models)	39K5021	**
Diskette drive EMC Shield (all models)	41A7180	**
Cable, Diskette drive (RoHs) (all models)	41A7182	**
Cover, left side (all models)	41A7183	*
Chassis assembly (all models)	41A7184	N
I/O Shield - Tamdhu Park (all models)	41A7189	N
Kit, Misc. Hardware (all models)	41A7188	**
Retention Module Kit, RoHs (all models)	41A7139	N
2 Drop IDE cable (all models)	39M0516	**
Bezel, 5.25" blank (all models)	41N8077	*
Universal Adapter Bracket 5.25 to 3.5-inch (all models)	32P4743	*
Battery, 3.0V (all models)	33F8354	*

8288 Keyboard (Preferred Pro, Fullsize, Stealth black)	FRU#	CRU
US English (models CTO-U CTO-G A1U A2U A3M A4A A4Q A5A A5Q A7M A8M A9R AAM ABU ACU ADU AEU B2R B4H B5R 21U 22U 23U 24U 25U 26U 27U 27C 27H 28U 28M 29A 29Q 2AA 2AQ 2BM 2CM D1U D2U D3M D4Q D5R D6R D7M D8R D9M DAU DAM E1U E2U E3R E4M E7M E8M E9R EAM F1R G1M G2M G3M 71G 72G 73G 74G B7A B7Q B6A B6Q 41U 41M 42U 42M 43M 48H 49U H1R H2R H3R 81M 82M 83M 91R 75G 76G 77G G1U G4U G5U 4BU 4CU 4DU 4EU 32C 35U 36U 37U 94U 95U 96U)	89P8300	*
Arabic (models CTO-G 71G 72G 73G 74G 75G 76G 77G)	89P8301	*
Belgian/French (models CTO-G 71G 72G 73G 74G 75G 76G 77G)	89P8302	*
Belgian/UK (models CTO-G 71G 72G 73G 74G 75G 76G 77G)	89P8303	*
Brazil/Portugese (models CTO-L BEP 4AP 31P 33P 34P G8P G9P 85P)	89P8304	*
Bulgarian (models CTO-G 71G 72G 73G 74G 75G 76G 77G)	89P8305	*
Chinese/US (models A6V B1V B3V B4B 27B 48B)	89P8306	*
Czech (models CTO-G 71G 72G 73G 74G 75G 76G 77G)	89P8307	*
Danish (models CTO-G 71G 72G 73G 74G 75G 76G 77G)	89P8308	*
Dutch (models CTO-G 71G 72G 73G 74G 75G 76G 77G)	89P8309	*
French (models CTO-G 71G 72G 73G 74G 75G 76G 77G)	89P8310	*
French Canadian 445 (models CTO-U A1F A2F ABF ACF ADF AEF 21F 22F 23F 24F 25F 26F 27F 28F D1F D2F DAF E1F E2F 41F 42F 49F G1F G4F G5F)	89P8311	*
French Canadian 58 (models CTO-U A1F A2F ABF ACF ADF AEF 21F 22F 23F 24F 25F 26F 27F 28F D1F D2F DAF E1F E2F 41F 42F 49F G1F G4F G5F)	89P8312	*

<b>8288 Keyboard (Preferred Pro, Fullsize, Stealth black)</b>	<b>FRU#</b>	<b>CRU</b>
German (models CTO-G 71G 72G 73G 74G 75G 76G 77G)	89P8313	*
Greek (models CTO-G 71G 72G 73G 74G 75G 76G 77G)	89P8314	*
Hebrew (models CTO-G 71G 72G 73G 74G 75G 76G 77G)	89P8315	*
Hungarian (models CTO-G 71G 72G 73G 74G 75G 76G 77G)	89P8316	*
Iceland (models CTO-G 71G 72G 73G 74G 75G 76G 77G)	89P8317	*
Italian 141 (models CTO-G 71G 72G 73G 74G 75G 76G 77G)	89P8318	*
Italian 142 (models CTO-G 71G 72G 73G 74G 75G 76G 77G)	89P8319	*
Korean (models A9K B2K B5K 27K D5K D6K E3K E5K E6K E9K F1K B8K B9K BAK 44K 45K 46K 47K H1K H2K H3K 91K BBK BCK BDK 61K 62K 63K G6K G7K 92K GAK 93K)	89P8321	*
LA Spanish (models CTO-L BES BEY 4AS 4AY 31S 31Y 33S 33Y 34S 34Y G8S G8Y G9S G9Y 85S 85Y)	89P8322	*
Norwegian (models CTO-G 71G 72G 73G 74G 75G 76G 77G)	89P8323	*
Polish (models CTO-G 71G 72G 73G 74G 75G 76G 77G)	89P8324	*
Portuguese (models CTO-G 71G 72G 73G 74G 75G 76G 77G)	89P8325	*
Romanian (models CTO-G 71G 72G 73G 74G 75G 76G 77G)	89P8326	*
Russian/Cyrillic (models CTO-G 71G 72G 73G 74G 75G 76G 77G)	89P8328	*
Serbian/Cyrillic (models CTO-G 71G 72G 73G 74G 75G 76G 77G)	89P8329	*
Slovak (models CTO-G 71G 72G 73G 74G 75G 76G 77G)	89P8330	*
Spanish (models CTO-G 71G 72G 73G 74G 75G 76G 77G)	89P8331	*
Swedish/Finn (models CTO-G 71G 72G 73G 74G 75G 76G 77G)	89P8332	*
Swiss F/G (models CTO-G 71G 72G 73G 74G 75G 76G 77G)	89P8333	*
Thailand (models CTO-A A4T A5T 29T 2AT AFT B7T B6T)	89P8334	*
Turkish 440 (models CTO-G 71G 72G 73G 74G 75G 76G 77G)	89P8335	*
Turkish 179 (models CTO-G 71G 72G 73G 74G 75G 76G 77G)	89P8336	*
UK English (models CTO-G 71G 72G 73G 74G 75G 76G 77G)	89P8337	*
US Euro (models CTO-G 71G 72G 73G 74G 75G 76G 77G)	89P8338	*
Yugoslav/Latin (models CTO-G 71G 72G 73G 74G 75G 76G 77G)	89P8339	*

<b>8288 Keyboards (with fingerprint reader)</b>	<b>FRU#</b>	<b>CRU</b>
US English (models CTO-U CTO-G)	89P9000	*
Arabic (models CTO-G)	89P9001	*
Arabic/French (models CTO-G)	89P9002	*
Belgian/French (models CTO-G)	89P9003	*
Belgian/UK (models CTO-G)	89P9004	*
Brazilian Portuguese (models CTO-L)	89P9005	*
Bulgarian (models CTO-G)	89P9006	*
Czech (models CTO-G)	89P9008	*
Danish (models CTO-G)	89P9009	*
Dutch (models CTO-G)	89P9010	*
French (models CTO-G)	89P9011	*
French Canadian 445 (models CTO-U)	89P9012	*

<b>8288 Keyboards (with fingerprint reader)</b>	<b>FRU#</b>	<b>CRU</b>
French Canadian 58 (models CTO-U)	89P9013	*
German (models CTO-G)	89P9014	*
Greek (models CTO-G)	89P9015	*
Hebrew (models CTO-G)	89P9016	*
Hungarian (models CTO-G)	89P9017	*
Iceland (models CTO-G)	89P9018	*
Italian 141 (models CTO-G)	89P9019	*
LA Spanish (models CTO-L)	89P9022	*
Norwegian (models CTO-G)	89P9023	*
Polish (models CTO-G)	89P9024	*
Portuguese (models CTO-G)	89P9025	*
Romanian (models CTO-G)	89P9026	*
Romanian (models CTO-G)	89P9027	*
Russian/Cyrillic (models CTO-G)	89P9028	*
Serbian/Cyrillic (models CTO-G)	89P9029	*
Slovak (models CTO-G)	89P9030	*
Spanish (models CTO-G)	89P9031	*
Swedish/Finn (models CTO-G)	89P9032	*
Swiss F/G (models CTO-G)	89P9033	*
Thailand (models CTO-A)	89P9034	*
Turkish 440 (models CTO-G)	89P9035	*
Turkish 179 (models CTO-G)	89P9036	*
UK English (models CTO-G)	89P9037	*
US Euro (models CTO-G)	89P9038	*
Yugoslav/Latin (models CTO-G)	89P9039	*

<b>8288 mice</b>	<b>FRU#</b>	<b>CRU</b>
Mouse, Scrollpoint Optical, USB (models CTO)	41A4933	*
Mouse, Optical Wheelmouse, USB (All models EXCEPT CAU CBU)	41A4935	*
Mouse, PS2 Wheelmouse, black (models CTO)	41A4917	*

<b>8288 Adapters and miscellaneous FRU</b>	<b>FRU#</b>	<b>CRU</b>
Soft Modem V.90/V.44 (models CTO A8M)	29R9729	*
128MB DDR ATI Radeon x300SE (DMS59 connector) (models CTO)	39J9635	*
128MB DDR ATI RADEON X700 PRO VGA, DVI-I, TV-Out PCI-e BTX (models CTO)	39J6203	*
Nvidia GeForce 6200 P262 w/NV44 (models CTO)	39J6213	*
PCI-E DVI-D Connection Adapter (ADD 2-R) (Full Height) (models CTO)	39J9334	*
Speakers, Jazz Infinity Active T1 (Black) (models CTO)	89P8589	*
Speaker Power brick - US, Canada, LA (low voltage), Taiwan, Phillipines, Thailand (models CTO-U CTO-L CTO-A)	89P8571	*



8288 Adapters and miscellaneous FRU	FRU#	CRU
Speaker Power brick - UK, Hong Kong (British version), ASEAN (models CTO-A B4B B4H)	89P8573	*
Speaker Brick - Europe and LA (high voltage) (models CTO-G CTO-L)	89P8575	*
Speaker Power brick (newer 2 prong) - China, Thailand, Phillipines (models CTO-A)	89P8581	*
Speaker Power brick - ANZ (models CTO-A A8M)	89P8579	*
Speaker Power brick - Brazil (models CTO-L)	89P8583	*
Speaker Power brick - India, South Africa (models CTO-A CTO-G)	89P8585	*
Speaker Power brick - Argentina (models CTO-L)	41A4901	*
RJ11 connector adapter (Spain, Ireland) (All "G" models)	60H6043	*
RJ11 connector adapter (Austria) (All "G" models)	60H6045	*
RJ11 connector adapter (Belgium) (All "G" models)	60H6046	*
RJ11 connector adapter (Denmark) (All "G" models)	60H6047	*
RJ11 connector adapter (Norway, Finland) (All "G" models)	60H6048	*
RJ11 connector adapter (France) (All "G" models)	60H6049	*
RJ11 connector adapter (Germany) (All "G" models)	60H6050	*
RJ11 connector adapter (UK, NZ, HK) (All "G", "M", "B", "H" models)	60H6051	*
RJ11 connector adapter (Italy) (All "G" models)	60H6052	*
RJ11 connector adapter (Netherlands) (All "G" models)	60H6053	*
RJ11 connector adapter (Sweden) (All "G" models)	60H6054	*
RJ11 connector adapter (Switzerland) (All "G" models)	60H6055	*

8288 Power Cords	FRU#	CRU
Power cord - US (models CTO-U A1U A1F A2U A2F A4A A4T A5A A5T ABU ABF ACU ACF ADU ADF AEU AEF 21U 21F 22U 22F 23U 23F 24U 24F 25U 25F 26U 26F 27U 27F 28U 28F 29A 29T 2AA 2AT D1U D1F D2U D2F DAU DAF E1U E1F E2U E2F C1U C2U C3U C4U C5U C6U C7U C8U B7A B7T B6A B6T 41U 41F 42U 42F 49U 49F C9U G1U G1F G4U G4F G5U G5F BES 4AS 4BU 4CU 4DU 4EU 31S 33S 34S 35U 36U 37U G8S G9S 94U 95U 96U CAU CBU 85S)	39M5080	*
Power cord - China (models 27C 32C)	39M5205	*
Power cord - Brazil (models CTO-L BEP 4AP 31P 33P 34P G8P G9P 85P)	39M5232	*
Power cord - LA High Volt (APU) (models CTO-L BEY 4AY 31Y 33Y 34Y G8Y G9Y 85Y)	39M5067	*
Power cord - Australia/New Zealand (models CTO-A A3M A7M A8M AAM 28M 2BM 2CM D3M D7M D9M DAM E4M E7M E8M EAM G1M G2M G3M 41M 42M 43M 81M 82M 83M)	39M5102	*
Power cord - Korea (models A9K A9R B2K B2R B5K B5R 27K D5K D5R D6K D6R D8R E3K E3R E5K E6K E9K E9R F1K F1R B8K B9K BAK 44K 45K 46K 47K H1K H1R H2K H2R H3K H3R 91K 91R BBK BCK BDK 61K 62K 63K G6K G7K 92K GAK 93K)	39M5212	*
Power cord - Hong Kong (models CTO-A B4B B4H 27B 27H 48B 48H)	39M5151	*
Power cord - UK, Ireland, Singapore, Malaysia, Brunei (models CTO-G CTO-A A4A A5A 29A 2AA 71G 72G 73G 74G B7A B6A 75G 76G 77G)	39M5150	*
Power cord - Taiwan (models A6V B1V B3V)	39M5246	*
Power cord - Italy (models CTO-G 71G 72G 73G 74G 75G 76G 77G BES BEY 4AS 4AY 31S 31Y 33S 33Y 34S 34Y G8S G8Y G9S G9Y 85S 85Y)	39M5164	*
Power cord - G models (models CTO-G 71G 72G 73G 74G 75G 76G 77G)	39M5122	*

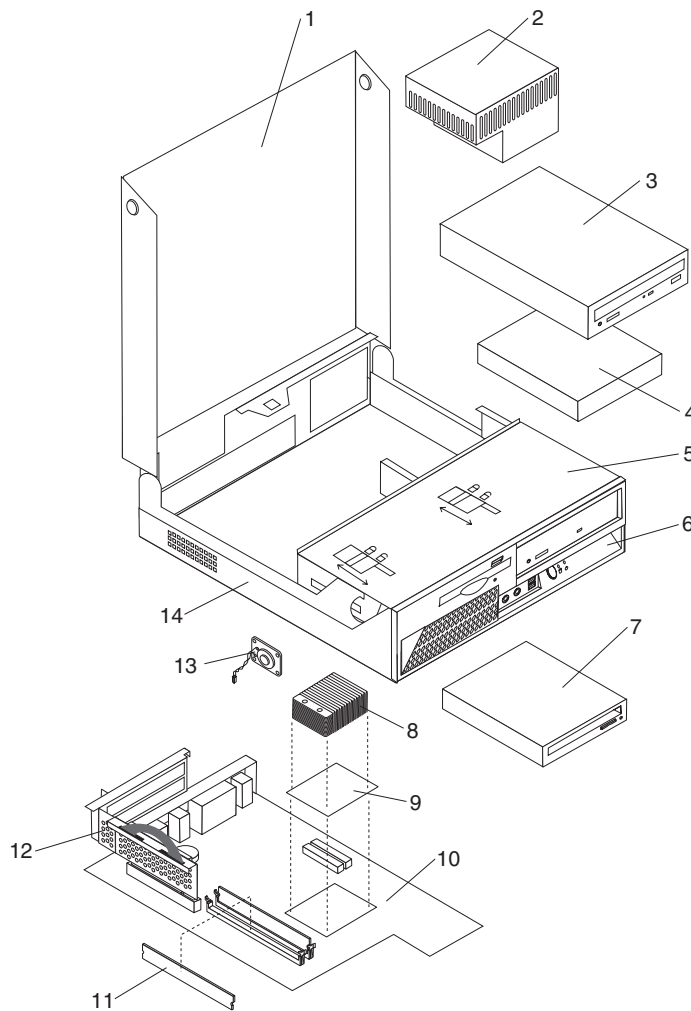
8288 Power Cords	FRU#	CRU
Power cord - Denmark (models CTO-G 71G 72G 73G 74G 75G 76G 77G)	39M5129	*
Power cord - Switzerland (models CTO-G 71G 72G 73G 74G 75G 76G 77G)	39M5157	*
Power cord - Israel (models CTO-G 71G 72G 73G 74G 75G 76G 77G)	39M5171	*
Power cord - South Africa (models CTO-G A3M A4A A5A A7M A8M AAM 28M 29A 2AA 2BM 2CM D3M D7M D9M DAM E4M E7M E8M EAM G1M G2M G3M 71G 72G 73G 74G B7A B6A 41M 42M 43M 81M 82M 83M 75G 76G 77G)	39M5143	*
Power cord - India (models CTO-A A4Q A5Q 29Q 2AQ D4Q B7Q B6Q )	39M5004	*

8288 Windows XP Home Recovery CDs	FRU#	CRU
US/UK/AP/TH (models A1U A3M A8M A9R ACU AEU B2R B4H B5R 21U 24U 26U D2U D3M D5R D6R D8R E2U E3R E4M E9R F1R 72G 74G H1R H2R 91R 76G 4CU 4EU 37U 96U)	41T1810	*
RE (models 72G 74G 76G)	41T5075	*
FR/CF (models A1F ACF AEF 21F 24F 26F D2F E2F 72G 74G 76G)	41T4170	*
GR (models 72G 74G 76G)	41T4171	*
SP/LA (models 72G 74G 76G)	41T4172	*
IT (models 72G 74G 76G)	41T4173	*
SV (models 72G 74G 76G)	41T4175	*
DK (models 72G 74G 76G)	41T5081	*
FI (models 72G 74G 76G)	41T5087	*
NO (models 72G 74G 76G)	41T5093	*
NL (models 72G 74G 76G)	41T5099	*
HE (models 72G 74G 76G)	41T5105	*
PL (models 72G 74G 76G)	41T5111	*
CZ (models 72G 74G 76G)	41T5117	*
AE (models 72G 74G 76G)	41T5123	*
RU (models 72G 74G 76G)	41T5129	*
TR (models 72G 74G 76G)	41T5135	*
HU (models 72G 74G 76G)	41T5141	*
PO (models 72G 74G 76G)	41T5147	*
GK (models 72G 74G 76G)	41T5153	*
Hong Kong-TC (models B4B)	39T9178	*
Korea (models A9K B2K B5K D5K D6K E3K E5K E6K E9K F1K B8K B9K BAK 44K 45K 46K 47K H1K H2K 91K BBK BCK BDK 61K 62K 63K G6K G7K 92K GAK 93K)	39T9194	*

8288 Windows XP Pro Recovery CDs	FRU#	CRU
US/UK/AP/TH (models A2U A5A A5Q A5T A7M AAM ABU ADU 22U 23U 25U 27U 27H 28U 28M 2AA 2AQ 2AT 2BM 2CM D1U D4Q D7M D9M DAU DAM E1U E7M E8M EAM G1M G2M G3M 71G 73G B7A B7Q B7T B6A B6Q B6T 41U 41M 42U 42M 43M 48H 49U H3R 81M 82M 83M 77G G1U G4U G5U 4BU 4DU 35U 36U 94U 95U)	41T1809	*
RE (models 71G 73G 77G)	41T4985	*
FR/CF (models A2F ABF ADF 22F 23F 25F 27F 28F D1F DAF E1F 71G 73G 41F 42F 49F 77G G1F G4F G5F)	41T4134	*

8288 Windows XP Pro Recovery CDs	FRU#	CRU
GR (models 71G 73G 77G)	41T4135	*
SP/LA (models 71G 73G 77G BES BEY 4AS 4AY 31S 31Y 33S 33Y 34S 34Y G8S G8Y G9S G9Y 85S 85Y)	41T4136	*
IT (models 71G 73G 77G)	41T4137	*
BR (models G9P 85P)	41T4138	*
SV (models 71G 73G 77G)	41T4139	*
DK (models 71G 73G 77G)	41T4991	*
FI (models 71G 73G 77G)	41T4997	*
NO (models 71G 73G 77G)	41T5003	*
NL (models 71G 73G 77G)	41T5009	*
HE (models 71G 73G 77G)	41T5015	*
PL (models 71G 73G 77G)	41T5021	*
CZ (models 71G 73G 77G)	41T5027	*
AE (models 71G 73G 77G)	41T5033	*
RU (models 71G 73G 77G)	41T5039	*
TR (models 71G 73G 77G)	41T5045	*
HU (models 71G 73G 77G)	41T5051	*
PO (models 71G 73G 77G)	41T5057	*
GK (models 71G 73G 77G)	41T5063	*
SL (models 71G 73G 77G)	41T5069	*
Simplified Chinese (models 27C 32C)	39T9138	*
Taiwan-TC (models A6V B1V B3V)	39T9154	*
Hong Kong-TC (models 27B 48B)	39T9170	*
Korea (models 27K H3K)	39T9186	*
Multilingual 1 (models 71G 73G 77G)	41T4206	*
Multilingual 2 (models 71G 73G 77G)	41T5159	*

# Machine Type 8289



Item #	8289 FRUs	FRU#	CRU
1	Cover (all models)	26K1263	*
2	Power Supply (225 Watt) (models CTO A1U A1F A1J A2J A3J A4J A5J A6J A7J A8J A9J AAJ ABJ ACJ ADM ADA ADT ADK ADR AEU AEF AFA AFT AGA AGT AHM AKK ALK ALR AMM ANJ APJ AQJ ARJ ASJ ATJ AUJ AVJ 21U 21F 21A 21T 22U 22F 23J 24J 25J 26J 27A 27T 28A 28T 29M 2AJ 2BJ 2CJ 2DJ 2EM 2FM 2GJ 2HJ 2JJ 2KJ D3K D3R D4K D4R D5U D5F D6M D7M D8K D8R D9U D9F D9J DAM DBJ E1K E1R E3K E3R E4U E4F E5M E6M E7J E8J E9J EAJ EBU EBF ECJ EDJ EEJ EFJ EGK EGR EHK EHR EJM F1K F2K F2R G3M G4M G5M C1U C2U C3U C4U C5U C6U C7U C8U C9U CAU AYA AYT B4A B4T B5A B5T B6K B7K B8K)	24R2584	**
2	Power Supply (225 Watt) China (models CTO-A CTO-L ADQ ADC ADB ADH ADV AFQ AGQ AGB AGH AJV B1V B2V B3B B3H 21Q 21C 22C 22B 22H 27Q 28Q 2LV 2MV D1V D2B D2H DBV E2V E5B E5H EKV F3V F4V G1V G2B G2H AYQ B4Q B5Q)	24R2587	**

Item #	8289 FRUs	FRU#	CRU
3	CD-ROM Drive 48X (models CTO A1U A1F A1J A2J A3J A4J A5J A6J ADM ADA ADQ ADT ADC ADB ADH ADV ADK ADR AEU AEF AFA AFQ AFT AGA AGQ AGT AGB AGH AHM AKK ANJ APJ AQJ ARJ 21U 21F 21A 21Q 21T 21C 22U 22F 22C 22B 22H 23J 24J 25J 26J 27A 27Q 27T 28A 28Q 28T 29M 2AJ 2BJ 2CJ 2DJ D4K D4R D5U D5F E3K E3R E4U E4F EHK EHR AYA AYQ AYT B4A B4Q B4T B5A B5Q B5T B7K 41K 42K 43B 43H 44U 44F 44M 45J 46J 47J 48J 49J 4AJ 4BJ 4CJ BBK GDU 51J 52J 58U 58F 5CU)	40Y8955	*
3	CD-ROM Drive 48X (models CTO A1U A1F A1J A2J A3J A4J A5J A6J ADM ADA ADQ ADT ADC ADB ADH ADV ADK ADR AEU AEF AFA AFQ AFT AGA AGQ AGT AGB AGH AHM AKK ANJ APJ AQJ ARJ 21U 21F 21A 21Q 21T 21C 22U 22F 22C 22B 22H 23J 24J 25J 26J 27A 27Q 27T 28A 28Q 28T 29M 2AJ 2BJ 2CJ 2DJ D4K D4R D5U D5F E3K E3R E4U E4F EHK EHR AYA AYQ AYT B4A B4Q B4T B5A B5Q B5T B7K 41K 42K 43B 43H 44U 44F 44M 45J 46J 47J 48J 49J 4AJ 4BJ 4CJ BBK GDU 51J 52J 58U 58F 5CU)	40Y8929	*
3	CD-ROM Drive 48X (models CTO A1U A1F A1J A2J A3J A4J A5J A6J ADM ADA ADQ ADT ADC ADB ADH ADV ADK ADR AEU AEF AFA AFQ AFT AGA AGQ AGT AGB AGH AHM AKK ANJ APJ AQJ ARJ 21U 21F 21A 21Q 21T 21C 22U 22F 22C 22B 22H 23J 24J 25J 26J 27A 27Q 27T 28A 28Q 28T 29M 2AJ 2BJ 2CJ 2DJ D4K D4R D5U D5F E3K E3R E4U E4F EHK EHR AYA AYQ AYT B4A B4Q B4T B5A B5Q B5T B7K 41K 42K 43B 43H 44U 44F 44M 45J 46J 47J 48J 49J 4AJ 4BJ 4CJ BBK GDU 51J 52J 58U 58F 5CU)	40Y8953	*
3	CD-ROM Drive 48X (models CTO A1U A1F A1J A2J A3J A4J A5J A6J ADM ADA ADQ ADT ADC ADB ADH ADV ADK ADR AEU AEF AFA AFQ AFT AGA AGQ AGT AGB AGH AHM AKK ANJ APJ AQJ ARJ 21U 21F 21A 21Q 21T 21C 22U 22F 22C 22B 22H 23J 24J 25J 26J 27A 27Q 27T 28A 28Q 28T 29M 2AJ 2BJ 2CJ 2DJ D4K D4R D5U D5F E3K E3R E4U E4F EHK EHR AYA AYQ AYT B4A B4Q B4T B5A B5Q B5T B7K 41K 42K 43B 43H 44U 44F 44M 45J 46J 47J 48J 49J 4AJ 4BJ 4CJ BBK GDU 51J 52J 58U 58F 5CU)	40Y8807	*
3	CD-RW Drive (48X/32X/48X) (models CTO AMM 2EM D6M E5M E5B E5H G3M 4RM H5M H5B H5H 83M)	40Y8901	*
3	CD-RW Drive (48X/32X/48X) (models CTO AMM 2EM D6M E5M E5B E5H G3M 4RM H5M H5B H5H 83M)	40Y8937	*
3	DVD-ROM 16X/48X - Black (models CTO AJV B1V B2V 2LV 2MV D1V DBV DBJ E2V EKV F3V F4V G1V 4SV 4TV 81V 71G 5BV H6K GJQ GJV 98Q 98V)	40Y8931	*
3	DVD-ROM 16X/48X - Black (models CTO AJV B1V B2V 2LV 2MV D1V DBV DBJ E2V EKV F3V F4V G1V 4SV 4TV 81V 71G 5BV H6K GJQ GJV 98Q 98V)	40Y8933	*
3	DVD-ROM 16X/48X - Black (models CTO AJV B1V B2V 2LV 2MV D1V DBV DBJ E2V EKV F3V F4V G1V 4SV 4TV 81V 71G 5BV H6K GJQ GJV 98Q 98V)	40Y8935	*
3	DVD-ROM 16X/48X - Black (models CTO AJV B1V B2V 2LV 2MV D1V DBV DBJ E2V EKV F3V F4V G1V 4SV 4TV 81V 71G 5BV H6K GJQ GJV 98Q 98V)	40Y8957	*
3	DVD-ROM/CD-RW Combo Drive (48x/32x/48x/16x) (models CTO A7J A8J A9J AAJ ABJ ACJ ALK ALR ASJ ATJ AUJ AVJ B3B 2GJ 2HJ 2JJ 2KJ D2B D2H D3K D3R D8K D8R D9U D9F D9J E1K E1R E7J E8J E9J EAJ EBU EBF EGK EGR F1K F2K F2R G2B G2H B6K B8K 4DU 4DF 4DM 4EJ 4FJ 4GJ 4HJ 4JK 4KK H1U H1F H2K H2R H4K H4R 82B 82H 91B 91H 92U 92F AWM B9K BAK 61K 62K 63K 64K G7K G8K G9K GBK GCK GEU GEF 93K 94K 96K 53J 54J 57U 59U 59F 5EU 5EF GGJ GHJ 97K)	40Y8919	*
3	DVD-ROM/CD-RW Combo Drive (48x/32x/48x/16x) (models CTO A7J A8J A9J AAJ ABJ ACJ ALK ALR ASJ ATJ AUJ AVJ B3B 2GJ 2HJ 2JJ 2KJ D2B D2H D3K D3R D8K D8R D9U D9F D9J E1K E1R E7J E8J E9J EAJ EBU EBF EGK EGR F1K F2K F2R G2B G2H B6K B8K 4DU 4DF 4DM 4EJ 4FJ 4GJ 4HJ 4JK 4KK H1U H1F H2K H2R H4K H4R 82B 82H 91B 91H 92U 92F AWM B9K BAK 61K 62K 63K 64K G7K G8K G9K GBK GCK GEU GEF 93K 94K 96K 53J 54J 57U 59U 59F 5EU 5EF GGJ GHJ 97K)	40Y8941	*

Item #	8289 FRUs	FRU#	CRU
3	Multi-Burner Plus (models CTO 2FM D7M DAM E6M ECJ EDJ EEJ EFJ EJM G4M G5M 4LJ 4MJ 4NJ 4PJ 4QM H3K H3R 84M 85M BCM GAK GFU GFF 95K 55J 56J 5DU 5DF)	40Y8909	*
4	Hard Disk Drive 40GB 7200 rpm Serial ATA (models CTO A1U A1F A1J A2J A3J A4J A7J A8J A9J AAJ ADM ADA ADQ ADT ADC ADB ADH ADV ADK ADR AEU AEF 21U 21F 21A 21Q 21T 21C 23J 24J 25J 26J 45J 46J 47J 48J)	40Y9033	*
4	Hard Disk Drive 40GB 7200 rpm Serial ATA (models CTO A1U A1F A1J A2J A3J A4J A7J A8J A9J AAJ ADM ADA ADQ ADT ADC ADB ADH ADV ADK ADR AEU AEF 21U 21F 21A 21Q 21T 21C 23J 24J 25J 26J 45J 46J 47J 48J)	40Y8760	*
4	Hard Disk Drive 80GB 7200 rpm Serial ATA (models CTO A5J A6J ABJ ACJ AFA AFQ AFT AGA AGQ AGT AGB AGH AHM AJV AKK ALK ALR AMM ANJ APJ AQJ ARJ ASJ ATJ AUJ AVJ B1V B2V B3B B3H 22U 22F 22C 22B 22H 27A 27Q 27T 28A 28Q 28T 29M 2AJ 2BJ 2CJ 2DJ 2EM 2FM 2GJ 2HJ 2JJ 2KJ 2LV 2MV D1V D2B D2H D3K D3R D4K D4R D5U D5F D6M D7M D9U D9F D9J DBV DBJ E1K E1R E2V E3K E3R E4U E4F E5M E5B E5H E6M E7J E8J E9J EAJ EBU EBF ECJ EDJ EEJ EFJ EKV F3V G1V G2B G2H G3M G4M AYA AYQ AYT B4A B4Q B4T B5A B5Q B5T B6K B7K 3 41K 43B 43H 44U 44F 44M 49J 4AJ 4BJ 4CJ 4DU 4DF 4DM 4EJ 4FJ 4GJ 4HJ)	40Y9034	*
4	Hard Disk Drive 80GB 7200 rpm Serial ATA (models CTO A5J A6J ABJ ACJ AFA AFQ AFT AGA AGQ AGT AGB AGH AHM AJV AKK ALK ALR AMM ANJ APJ AQJ ARJ ASJ ATJ AUJ AVJ B1V B2V B3B B3H 22U 22F 22C 22B 22H 27A 27Q 27T 28A 28Q 28T 29M 2AJ 2BJ 2CJ 2DJ 2EM 2FM 2GJ 2HJ 2JJ 2KJ 2LV 2MV D1V D2B D2H D3K D3R D4K D4R D5U D5F D6M D7M D9U D9F D9J DBV DBJ E1K E1R E2V E3K E3R E4U E4F E5M E5B E5H E6M E7J E8J E9J EAJ EBU EBF ECJ EDJ EEJ EFJ EKV F3V G1V G2B G2H G3M G4M AYA AYQ AYT B4A B4Q B4T B5A B5Q B5T B6K B7K 3 41K 43B 43H 44U 44F 44M 49J 4AJ 4BJ 4CJ 4DU 4DF 4DM 4EJ 4FJ 4GJ 4HJ)	40Y8761	*
4	Hard Disk Drive 160GB 7200 rpm Serial ATA (models CTO D8K D8R DAM EGK EGR EHK EHR EJM F1K F2K F2R F4V G5M B8K 42K 4JK H1U H1F 85M BAK 62K 64K G8K G9K GAK GCK 93K 94K 96K 5AU 5AF 5DU 5DF 97K)	40Y8762	*
4	Hard Disk Drive 160GB 7200 rpm Serial ATA (models CTO D8K D8R DAM EGK EGR EHK EHR EJM F1K F2K F2R F4V G5M B8K 42K 4JK H1U H1F 85M BAK 62K 64K G8K G9K GAK GCK 93K 94K 96K 5AU 5AF 5DU 5DF 97K)	40Y9035	*
4	Hard Disk Drive 250GB 7200 rpm Serial ATA (models CTO H2K H2R H3K H3R H4K H4R 95K)	40Y8763	*
4	Hard Disk Drive 250GB 7200 rpm Serial ATA (models CTO H2K H2R H3K H3R H4K H4R 95K)	40Y9036	*
5	Rotating bay assembly (all models)	03R0285	**
6	Bezel Plastic Kit (all models)	26K1214	*
7	Slim Diskette Drive, 1.44 MB 3 mode (without FDD cable and bezel ) (models CTO A3J A4J A5J A6J A9J AAJ ABJ ACJ AFA AFQ AFT AGA AGQ AGT AGB AGH AJV ANJ APJ AQJ ARJ ASJ ATJ AUJ AVJ B1V B2V B3B B3H 23J 24J 25J 26J 27A 27Q 27T 28A 28Q 28T 2AJ 2BJ 2CJ 2DJ 2GJ 2HJ 2JJ 2KJ 2LV 2MV D1V D2B D2H DBV DBJ E2V E7J E8J E9J EAJ ECJ EDJ EEJ EFJ EKV F3V F4V G1V G2B G2H AYA AYQ AYT B4A B4Q B4T B5A B5Q B5T 45J 46J 47J 48J 49J 4AJ 4BJ 4CJ 4EJ 4FJ 4GJ 4HJ 4LJ 4MJ 4NJ 4PJ 4SV 4TV 81V 82B 82H 91B 91H 51J 52J 53J 54J 55J 56J 5BV GGJ GHJ GJQ GJV 98Q 98V)	40Y9109	*

Item #	8289 FRUs	FRU#	CRU
7	Slim Diskette Drive, 1.44 MB 3 mode (without FDD cable and bezel ) (models CTO A3J A4J A5J A6J A9J AAJ ABJ ACJ AFA AFQ AFT AGA AGQ AGT AGB AGH AJV ANJ APJ AQJ ARJ ASJ ATJ AUJ AVJ B1V B2V B3B B3H 23J 24J 25J 26J 27A 27Q 27T 28A 28Q 28T 2AJ 2BJ 2CJ 2DJ 2GJ 2HJ 2JJ 2KJ 2LV 2MV D1V D2B D2H DBV DBJ E2V E7J E8J E9J EAJ ECJ EDJ EEJ EFJ EKV F3V F4V G1V G2B G2H AYA AYQ AYT B4A B4Q B4T B5A B5Q B5T 45J 46J 47J 48J 49J 4AJ 4BJ 4CJ 4EJ 4FJ 4GJ 4HJ 4LJ 4MJ 4NJ 4PJ 4SV 4TV 81V 82B 82H 91B 91H 51J 52J 53J 54J 55J 56J 5BV GGJ GHJ GJQ GJV 98Q 98V)	40Y9111	*
8	Heat Sink, Side Car w/baffle, Lead Free (all models)	26K1258	**
9	Microprocessor, 2.53GHZ Celeron Prescott P4 (533FSB, 256KB) (models CTO)	39J7004	**
9	Microprocessor, 2.66 GHZ Celeron Prescott P4 (533FSB, 256KB) (models CTO A1U A1F A1J A2J A3J A4J A5J A6J A7J A8J A9J AAJ ABJ ACJ ADM ADA ADQ ADT ADC ADB ADH ADV ADK ADR C1U)	39J7005	**
9	Microprocessor, 2.8 GHZ Celeron Prescott P4 (533FSB, 256KB) (models CTO AEU AEF AFA AFQ AFT AGA AGQ AGT AGB AGH AHM AJV AKK ALK ALR AMM ANJ APJ AQJ ARJ ASJ ATJ AUJ AVJ C2U AWM BCM)	39J7006	**
9	Microprocessor, 2.93 GHZ Celeron Prescott P4 (533FSB, 256KB) (models CTO B1V C3U)	39J7007	**
9	Microprocessor, 3.06 GHZ Celeron Prescott P4 (533FSB, 256KB) (models CTO B2V B3B B3H C4U)	39J7008	**
9	Microprocessor, 3.2 GHZ Celeron Prescott P4 (533FSB, 256KB) (models CTO)	39J9695	**
9	Microprocessor, Celeron 3.20GHz, 533 FSB, 256KB L2 (models CTO)	41T4966	**
9	Microprocessor, Celeron 3.33GHz, 533 FSB, 256KB L2 (models CTO)	41T1132	**
9	Microprocessor, Celeron 3.33GHz, 533 FSB, 512KB L2 (models CTO B9K BAK BBK)	41T4968	**
9	Microprocessor, 2.66 GHZ Prescott P4 (533FSB, 1MB) (models CTO)	41D0684	**
9	Microprocessor, 2.93 GHZ Prescott P4 (533FSB, 1MB) (models CTO 21U 21F 21A 21Q 21T 21C C5U)	41D0686	**
9	Microprocessor, 3.06 GHZ Prescott P4 (533FSB, 1MB) (models CTO 22U 22F 22C 22B 22H 23J 24J 25J 26J 27A 27Q 27T 28A 28Q 28T 29M 2AJ 2BJ 2CJ 2DJ 2EM 2FM 2GJ 2HJ 2JJ 2KJ 2LV 2MV C6U)	41D0688	**
9	Microprocessor, 2.8 GHZ Prescott P4 (800FSB, 1MB) (models CTO 41K 42K 43B 43H 44U 44F 44M 45J 46J 47J 48J 49J 4AJ 4BJ 4CJ 4DU 4DF 4DM 4EJ 4FJ 4GJ 4HJ 4JK 4KK 4LJ 4MJ 4NJ 4PJ 4QM 4RM 4SV 4TV 71G CBU)	39J7009	**
9	Microprocessor, Pentium 4 3.06GHz 533MHz FSB 1MB L2 (models CTO 51J 52J 53J 54J 55J 56J 57U 58U 58F 59U 59F 5AU 5AF CFU)	41T4104	**
9	Microprocessor, 3.0 GHZ Prescott P4 (800FSB, 1MB) (models CTO 5BV)	39J7010	**
9	Microprocessor, 3.2 GHZ Prescott P4 (800FSB, 1MB) (models CTO 5CU 5DU 5DF 5EU 5EF)	39J7011	**
9	Microprocessor, 3.4 GHZ Prescott P4 (800FSB, 1MB) (models CTO)	39J7012	**
9	Microprocessor, 2.8 GHZ Prescott P4 (800FSB, 2MB) (models CTO 61K 62K 63K 64K)	41X2412	**
9	Microprocessor, 3.0 GHZ Prescott P4 (800FSB, 2MB) (models CTO D1V D2B D2H D3K D3R D4K D4R D5U D5F D6M D7M D8K D8R D9U D9F D9J DAM DBV DBJ C7U)	39J7013	**
9	Microprocessor, 3.0 GHZ Cedar Mill P4 (800FSB, 2MB) (models CTO)	41D5042	**
9	Microprocessor, 3.2 GHZ Prescott P4 (800FSB, 2MB) (models CTO E1K E1R E2V E3K E3R E4U E4F E5M E5B E5H E6M E7J E8J E9J EAJ EBU EBF ECJ EDJ EEJ EFJ EGK EGR EHK EHR EJM EKV C8U)	39J7014	**

Item #	8289 FRUs	FRU#	CRU
9	Microprocessor, 3.2 GHZ Cedar Mill P4 (800FSB, 2MB) (models CTO)	41D5044	**
9	Microprocessor, 3.4 GHZ Prescott P4 (800FSB, 2MB) (models CTO F1K F2K F2R F3V F4V C9U)	39J7015	**
9	Microprocessor, 3.4 GHZ Cedar Mill P4 (800FSB, 2MB) (models CTO)	41D5046	**
9	Microprocessor, 3.6 GHZ Cedar Mill P4 (800FSB, 2MB) (models CTO H1U H1F H2K H2R H3K H3R H4K H4R H5M H5B H5H CCU)	41D5048	**
9	Microprocessor, Pentium D 2.66 GHz 533MHz FSB 2Mx1 L2 (models CTO H6K)	TBD	**
9	Microprocessor, Pentium D 2.8 GHZ 800FSB, 1MB L2 (models CTO G1V G2B G2H G3M G4M G5M CAU G6U G6F G7K G8K G9K GAK GBK GCK GDU GDF GEU GEF GFU GFF GGJ GHJ GJQ GJV)	39J8468	**
9	Microprocessor, Pentium D, 2.8 GHZ, 800MHz FSB, 2MBx2 L2 (models CTO 81V 82B 82H 83M 84M 85M CDU)	41D5050	**
9	Microprocessor, Pentium D, 3.0 GHz, 800MHz FSB, 2MBx2 L2 (models CTO 91B 91H 92U 92F CEU 93K 94K 95K 96K)	41D5052	**
9	Microprocessor, Pentium D 3.2 GHz 800MHz FSB 2Mx2 L2 (models CTO 97K 98Q 98V CGU)	TBD	**
10	System Board (models AYA AYQ AYT B4A B4Q B4T B5A B5Q B5T B6K B7K B8K 41K 42K 43B 43H 44U 44F 44M 45J 46J 47J 48J 49J 4AJ 4BJ 4CJ 4DU 4DF 4DM 4EJ 4FJ 4GJ 4HJ 4JK 4KK 4LJ 4MJ 4NJ 4PJ 4QM 4RM 4SV 4TV H1U H1F H2K H2R H3K H3R H4K H4R H5M H5B H5H G6U G6F 81V 82B 82H 83M 84M 85M 91B 91H 92U 92F 71G CBU CCU CDU CEU AWM BCM B9K BAK BBK 61K 62K 63K 64K G7K G8K G9K GAK GBK GCK GDU GDF GEU GEF GFU GFF 93K 94K 95K 96K 51J 52J 53J 54J 55J 56J 57U 58U 58F 59U 59F 5AU 5AF 5BV 5CU 5DU 5DF 5EU 5EF H6K GGJ GHJ GJQ GJV 97K 98Q 98V CFU CGU CTO A1U A1F A1J A2J A3J A4J A5J A6J A7J A8J A9J AAJ ABJ ACJ ADM ADA ADQ ADT ADC ADB ADH ADV ADK ADR AEU AEF AFA AFQ AFT AGA AGQ AGT AGB AGH AHM AJV AKK ALK ALR AMM ANJ APJ AQJ ARJ ASJ ATJ AUJ AVJ B1V B2V B3B B3H 21U 21F 21A 21Q 21T 21C 22U 22F 22C 22B 22H 23J 24J 25J 26J 27A 27Q 27T 28A 28Q 28T 29M 2AJ 2BJ 2CJ 2DJ 2EM 2FM 2GJ 2HJ 2JJ 2KJ 2LV 2MV D1V D2B D2H D3K D3R D4K D4R D5U D5F D6M D7M D8K D8R D9U D9F D9J DAM DBV DBJ E1K E1R E2V E3K E3R E4U E4F E5M E5B E5H E6M E7J E8J E9J EAJ EBU EBF ECJ EDJ EEJ EFJ EGK EGR EHK EHR EJM EKV F1K F2K F2R F3V F4V G1V G2B G2H G3M G4M G5M C1U C2U C3U C4U C5U C6U C7U C8U C9U CAU)	41D2469	**
11	256MB DDR2 SDRAM NP Memory (PC 4200) (models CTO A1U A1F A1J A2J A3J A4J A7J A8J A9J AAJ ADM ADA ADQ ADT ADC ADB ADH ADV ADK ADR AEU AEF AFA AFQ AFT AGA AGQ AGT AGB AGH AHM AJV B1V B2V B3B B3H 21U 21F 21A 21Q 21T 21C 22U 22F 22C 22B 22H 23J 24J 25J 26J 27A 27Q 27T 28A 28Q 28T 2LV 2MV D1V D2B D2H DBV DBJ E2V EKV F3V G1V G2B AYA AYQ AYT B4A B4Q B4T B5A B5Q B5T 43B 43H 45J 46J 47J 48J 4SV 4TV 81V 82B 82H 91B 91H 71G BBK 5BV)	30R5120	*
11	512MB DDR2 SDRAM NP Memory (PC 4200) (models CTO A5J A6J ABJ ACJ AKK ALK ALR AMM ANJ APJ AQJ ARJ ASJ ATJ AUJ AVJ 29M 2AJ 2BJ 2CJ 2DJ 2EM 2FM 2GJ 2HJ 2JJ 2KJ D3K D3R D4K D4R D5U D5F D6M D7M D8K D8R D9U D9F D9J DAM E1K E1R E3K E3R E4U E4F E5M E5B E5H E6M E7J E8J E9J EAJ EBU EBF ECJ EDJ EEJ EFJ EGK EGR EHK EHR EJM F1K F4V G3M G4M G5M B6K B7K B8K 41K 42K 44U 44F 44M 49J 4AJ 4BJ 4CJ 4DU 4DF 4DM 4EJ 4FJ 4GJ 4HJ 4JK 4KK 4LJ 4MJ 4NJ 4PJ 4QM 4RM H1U H1F H4K H4R H5M H5B H5H G6U G6F 83M 84M 85M 92U 92F AWM BCM B9K BAK 61K 62K 63K 64K G7K G8K GBK GCK GDU GDF 51J 52J 53J 54J 55J 56J 57U 58U 58F 59U 59F 5AU 5AF 5CU 5DU 5DF 5EU 5EF H6K GGJ GHJ GJQ GJV 98Q 98V)	30R5121	*
11	1GB DDR2 SDRAM NP Memory (PC 4200) (models CTO F2K F2R H2K H2R H3K H3R G9K GAK 94K 95K 97K)	30R5122	*
11	2GB DDR2 SDRAM NP Memory (PC 4200) (models CTO)	30R5123	*



Item #	8289 FRUs	FRU#	CRU
12	Riser card assembly (all models)	41A7730	*
13	Speaker/cable assembly all (models)	39K5012	*
14	Chassis (all models)	26K1262	**

The FRUs listed in the following table are not illustrated.

8289 FRUs	FRU#	CRU
Hard disk Drive tray (all models)	03R0302	**
Floor stand and vertical deflector (all models)	74P0404	**
System board tray (all models)	26K1213	**
Internal plastic kit (all models)	03R0289	**
Cable, 2 Drop Hard Disk Drive and Optical - ATA 100 (all models)	26K1246	*
Cable, Optical (1 Drop) ATA 100 (all models)	26K1244	*
Cable, SATA Device (all models)	39K5026	*
C2 Cable (Squall) (models)	39K5022	*
Cable, pwr/LED (all models)	26K1242	*
Cable, Diskette Drive (all models)	26K1248	*
Fan assembly (all models)	26K1253	**
Battery (all models)	33F8354	*
Universal Adapter Bracket 5.25 to 3.5-inch (all models)	32P4743	*
Retention module, tool less heat sink (all models)	26K1281	**

8289 Keyboards (Preferred Pro Fullsize)	FRU#	CRU
US English (models CTO-U CTO-G A1U ADM ADA ADQ ADC ADH ADR AEU AFA AFQ AGA AGQ AGH AHM ALR AMM B3H 21U 21A 21Q 21C 22U 22C 22H 27A 27Q 28A 28Q 29M 2EM 2FM D2H D3R D4R D5U D6M D7M D8R D9U DAM E1R E3R E4U E5M E5H E6M EBU EGR EHR EJM F2R G2H G3M G4M G5M AYA AYQ B4A B4Q B5A B5Q 43H 44U 44M 4DU 4DM 4QM 4RM H1U H2R H3R H4R H5M H5H G6U 82H 83M 84M 85M 91H 92U 71G AWM BCM GDU GEU GFU 57U 58U 59U 5AU 5CU 5DU 5EU GJQ 98Q)	89P8300	*
Arabic (models CTO-G 71G)	89P8301	*
Belgian/French (models CTO-G 71G)	89P8302	*
Belgian/UK (models CTO-G 71G)	89P8303	*
Brazil/Portuguese (models CTO-L)	89P8304	*
Bulgarian (models CTO-G 71G)	89P8305	*
Chinese/US (models ADB ADV AGB AJV B1V B2V B3B 22B 2LV 2LV 2MV D1V D2B DBV E2V E5B EKV F3V F4V G1V G2B 43B 4SV 4TV H5B 81V 82B 91B 5BV GJV 98V)	89P8306	*
Czech (models CTO-G 71G)	89P8307	*
Danish (models CTO-G 71G)	89P8308	*
Dutch (models CTO-G 71G)	89P8309	*
French (models CTO-G 71G)	89P8310	*
French Canadian 445 (models CTO-U A1F AEF 21F 22F D5F D9F E4F EBF 44F 4DF H1F G6F 92F GDF GEF GFF 58F 59F 5AF 5DF 5EF)	89P8311	*

8289 Keyboards (Preferred Pro Fullsize)	FRU#	CRU
French Canadian 58 (models CTO-U A1F AEF 21F 22F D5F D9F E4F EBF 44F 4DF H1F G6F 92F GDF GEF GFF 58F 59F 5AF 5DF 5EF)	89P8312	*
German (models CTO-G 71G)	89P8313	*
Greek (models CTO-G 71G)	89P8314	*
Hebrew (models CTO-G 71G)	89P8315	*
Hungarian (models CTO-G 71G)	89P8316	*
Iceland (models CTO-G 71G)	89P8317	*
Italian (models CTO-G 71G)	89P8319	*
Japanese (models A1J A2J A3J A4J A5J A6J A7J A8J A9J AAJ ABJ ACJ ANJ APJ ASJ ATJ 23J 24J 2AJ 2BJ 2GJ 2HJ D9J DBJ E7J E8J ECJ EDJ 45J 46J 49J 4AJ 4EJ 4FJ 4LJ 4MJ 51J 52J 53J 54J 55J 56J GGJ GHJ)	89P8320	*
Korean (models ADK AKK ALK D3K D4K D8K E1K E3K EGK EHK F1K F2K B6K B7K B8K 41K 42K 4JK 4KK H2K H3K H4K B9K BAK BBK 61K 62K 63K 64K G7K G8K G9K GAK GBK GCK 93K 94K 95K 96K H6K 97K)	89P8321	*
LA Spanish (models CTO-L)	89P8322	*
Norwegian (models CTO-G 71G)	89P8323	*
Polish (models CTO-G 71G)	89P8324	*
Portuguese (models CTO-G 71G)	89P8325	*
Romanian (models CTO-G 71G)	89P8326	*
Russian (models CTO-G 71G)	89P8327	*
Russian/Cyrillic (models CTO-G 71G)	89P8328	*
Serbian/Cyrillic (models CTO-G 71G)	89P8329	*
Slovak (models CTO-G 71G)	89P8330	*
Spanish (models CTO-G 71G)	89P8331	*
Swedish/Finn (models CTO-G 71G)	89P8332	*
Swiss F/G (models CTO-G 71G)	89P8333	*
Thailand (models CTO-A ADT AFT AGT 21T 27T 28T AYT B4T B5T)	89P8334	*
Turkish 179 (models CTO-G 71G)	89P8336	*
UK English (models CTO-G 71G)	89P8337	*
US Euro (models CTO-G 71G)	89P8338	*
Yugoslav/Latin (models CTO-G 71G)	89P8339	*

8289 Keyboards (with fingerprint reader)	FRU#	CRU
US English (models CTO-U CTO-G)	89P9000	*
Arabic (models CTO-G)	89P9001	*
Arabic/French (models CTO-G)	89P9002	*
Belgian/French (models CTO-G)	89P9003	*
Belgian/UK (models CTO-G)	89P9004	*
Brazilian Portuguese (models CTO-L)	89P9005	*
Bulgarian (models CTO-G)	89P9006	*
Czech (models CTO-G)	89P9008	*
Danish (models CTO-G)	89P9009	*

<b>8289 Keyboards (with fingerprint reader)</b>	<b>FRU#</b>	<b>CRU</b>
Dutch (models CTO-G)	89P9010	*
French (models CTO-G)	89P9011	*
French Canadian 445 (models CTO-U)	89P9012	*
French Canadian 58 (models CTO-U)	89P9013	*
German (models CTO-G)	89P9014	*
Greek (models CTO-G)	89P9015	*
Hebrew (models CTO-G)	89P9016	*
Hungarian (models CTO-G)	89P9017	*
Iceland (models CTO-G)	89P9018	*
Italian 141 (models CTO-G)	89P9019	*
Japanese (models AQJ ARJ AUJ AVJ 25J 26J 2JJ 2KJ E9J EAJ EEJ EFJ 47J 48J 4BJ 4CJ 4GJ 4HJ 4NJ 4PJ)	89P9020	*
LA Spanish (models CTO-L)	89P9022	*
Norwegian (models CTO-G)	89P9023	*
Polish (models CTO-G)	89P9024	*
Portuguese (models CTO-G)	89P9025	*
Romanian (models CTO-G)	89P9026	*
Romanian (models CTO-G)	89P9027	*
Russian/Cyrillic (models CTO-G)	89P9028	*
Serbian/Cyrillic (models CTO-G)	89P9029	*
Slovak (models CTO-G)	89P9030	*
Spanish (models CTO-G)	89P9031	*
Swedish/Finn (models CTO-G)	89P9032	*
Swiss F/G (models CTO-G)	89P9033	*
Thailand (models CTO-A)	89P9034	*
Turkish 440 (models CTO-G)	89P9035	*
Turkish 179 (models CTO-G)	89P9036	*
UK English (models CTO-G)	89P9037	*
US Euro (models CTO-G)	89P9038	*
Yugoslav/Latin (models CTO-G)	89P9039	*

<b>8289 mice</b>	<b>FRU#</b>	<b>CRU</b>
Mouse, Scrollpoint Optical, USB (models CTO)	41A4933	*
Mouse, Optical Wheelmouse, USB (All models EXCEPT C1U C2U C3U C4U C5U C6U C7U C8U C9U CAU CBU CCU CDU CEU CFU CGU)	41A4935	*
Mouse, PS2 Wheelmouse, black (models CTO)	41A4917	*

<b>8289 Adapters and miscellaneous FRU</b>	<b>FRU#</b>	<b>CRU</b>
Soft Modem V.90/V.44 (models CTO)	29R9729	*
PCI-E DVI-D Connection Adapter (ADD 2-R) (Full Height) (models CTO)	39J9334	*
1394 Firewire PCI LP (ATX) (Full Height) (models CTO H3K H3R H4K H4R B9K BAK BBK 61K 62K G7K G8K G9K GAK 93K 94K 95K)	41D2781	*

8289 Adapters and miscellaneous FRU	FRU#	CRU
Speakers, Jazz Infinity Active T1 (Black) (models CTO B3B B3H D2B D2H G2B G2H 82B 82H 91B 91H)	89P8589	*
Speaker Power brick - US, Canada, LA (low voltage), Taiwan, Phillipines, Thailand (models CTO-U CTO-L CTO-A)	89P8571	*
Speaker Power brick - UK, Hong Kong (British version), ASEAN (models CTO-A B3B B3H D2B D2H G2B G2H 82B 82H 91B 91H)	89P8573	*
Speaker Brick - Europe and LA (high voltage) (models CTO-G CTO-L)	89P8575	*
Speaker Power brick (newer 2 prong) - China, Thailand, Phillipines (models CTO-A B3B B3H D2B D2H G2B G2H 82B 82H 91B 91H)	89P8581	*
Speaker Power brick - ANZ (models CTO-A)	89P8579	*
Speaker Power brick - Brazil (models CTO-L)	89P8583	*
Speaker Power brick - India, South Africa (models CTO-A CTO-G)	89P8585	*
Speaker Power brick - Argentina (models CTO-L)	41A4901	*
RJ11 connector adapter (Spain, Ireland) (All "G" models)	60H6043	*
RJ11 connector adapter (Austria) (All "G" models)	60H6045	*
RJ11 connector adapter (Belgium) (All "G" models)	60H6046	*
RJ11 connector adapter (Denmark) (All "G" models)	60H6047	*
RJ11 connector adapter (Norway, Finland) (All "G" models)	60H6048	*
RJ11 connector adapter (France) (All "G" models)	60H6049	*
RJ11 connector adapter (Germany) (All "G" models)	60H6050	*
RJ11 connector adapter (UK, NZ, HK) (All "G", "M", "B", "H" models)	60H6051	*
RJ11 connector adapter (Italy) (All "G" models)	60H6052	*
RJ11 connector adapter (Netherlands) (All "G" models)	60H6053	*
RJ11 connector adapter (Sweden) (All "G" models)	60H6054	*
RJ11 connector adapter (Switzerland) (All "G" models)	60H6055	*

8289 Power Cords	FRU#	CRU
Power cord - US (models CTO-U A1U A1F ADA ADT AEU AEF AFA AFT AGA AGT 21U 21F 21A 21T 22U 22F 27A 27T 28A 28T D5U D5F D9U D9F E4U E4F EBU EBF C1U C2U C3U C4U C5U C6U C7U C8U C9U CAU AYA AYT B4A B4T B5A B5T 44U 44F 4DU 4DF H1U H1F G6U G6F 92U 92F CBU CCU CDU CEU GDU GDF GEU GEF GFU GFF 57U 58U 58F 59U 59F 5AU 5AF 5CU 5DU 5DF 5EU 5EF CFU CGU)	39M5080	*
Power cord - China (models ADC 21C 22C)	39M5205	*
Power cord - Japan (models A1J A2J A3J A4J A5J A6J A7J A8J A9J AAJ ABJ ACJ ANJ APJ AQJ ARJ ASJ ATJ AUJ AVJ 23J 24J 25J 26J 2AJ 2BJ 2CJ 2DJ 2GJ 2HJ 2JJ 2KJ D9J DBJ E7J E8J E9J EAJ ECJ EDJ EEJ EFJ 45J 46J 47J 48J 49J 4AJ 4BJ 4CJ 4EJ 4FJ 4GJ 4HJ 4LJ 4MJ 4NJ 4PJ 51J 52J 53J 54J 55J 56J GGJ GHJ)	39M5193	*
Power cord - Brazil (models CTO-L)	39M5232	*
Power cord - LA High Volt (APU) (models CTO-L)	39M5067	*
Power cord - Australia/New Zealand (models CTO-A ADM AHM AMM 29M 2EM 2FM D6M D7M DAM E5M E6M EJM G3M G4M G5M 44M 4DM 4QM 4RM H5M 83M 84M 85M AWM BCM)	39M5102	*
Power cord - Korea (models ADK ADR AKK ALK ALR D3K D3R D4K D4R D8K D8R E1K E1R E3K E3R EGK EGR EHK EHR F1K F2K F2R B6K B7K B8K 41K 42K 4JK 4KK H2K H2R H3K H3R H4K H4R B9K BAK BBK 61K 62K 63K 64K G7K G8K G9K GAK GBK GCK 93K 94K 95K 96K H6K 97K)	39M5212	*

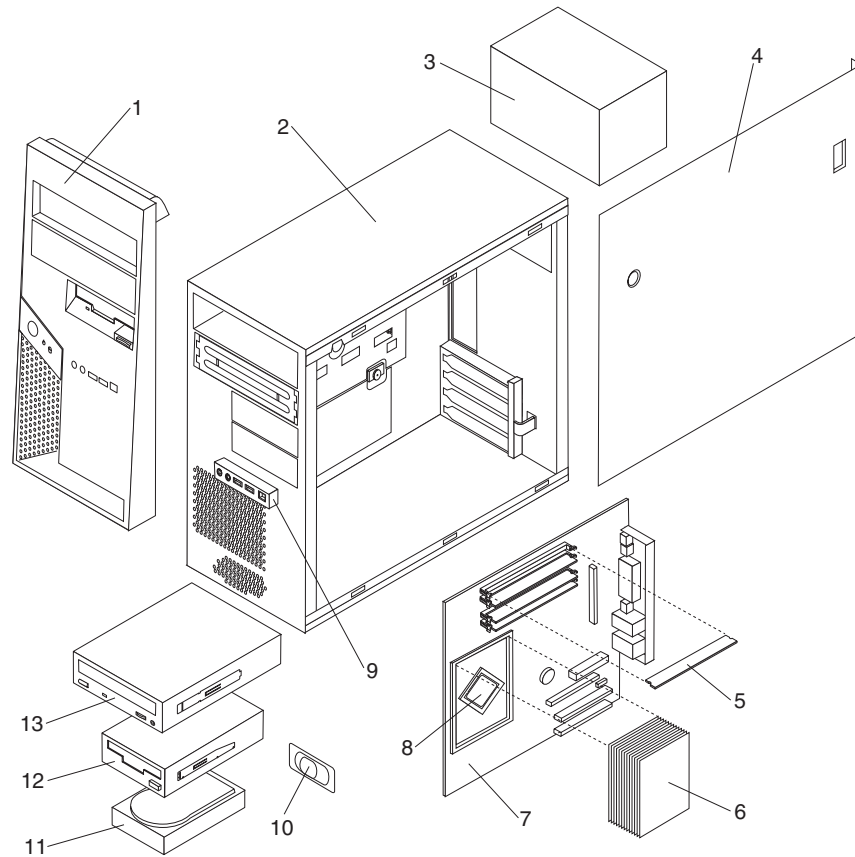
8289 Power Cords	FRU#	CRU
Power cord - Hong Kong (models CTO-A ADB ADH AGB AGH B3B B3H 22B 22H D2B D2H E5B E5H G2B G2H 43B 43H H5B H5H 82B 82H 91B 91H)	39M5151	*
Power cord - UK, Ireland, Singapore, Malaysia, Brunei (models CTO-G CTO-A ADA AFA AGA 21A 27A 28A AYA B4A B5A 71G)	39M5150	*
Power cord - Taiwan (models ADV AJV B1V B2V 2LV 2MV D1V DBV E2V EKV F3V F4V G1V 4SV 4TV 81V 5BV GJV 98V)	39M5246	*
Power cord - Italy (models CTO-G 71G)	39M5164	*
Power cord - G models (models CTO-G ADA AFA AGA 21A 27A 28A AYA B4A B5A 71G)	39M5122	*
Power cord - Denmark (models CTO-G 71G)	39M5129	*
Power cord - Switzerland (models CTO-G 71G)	39M5157	*
Power cord - Israel (models CTO-G 71G)	39M5171	*
Power cord - South Africa (models CTO-G ADM ADA AFA AGA AHM AMM 21A 27A 28A 29M 2EM 2FM D6M D7M DAM E5M E6M EJM G3M G4M G5M AYA B4A B5A 44M 4DM 4QM 4RM H5M 83M 84M 85M 71G AWM BCM)	39M5143	*
Power cord - India (models CTO-A ADQ AFQ AGQ 21Q 27Q 28Q AYQ B4Q B5Q GJQ 98Q)	39M5004	*

8289 Windows XP Home Recovery CDs	FRU #	CRU
SP/LA (models A1U ALR B3H D2H D3R D4R D8R E1R E3R EGR EHR G2H H2R H3R H4R 82H 91H)	41T1810	*
Hong Kong (models B3B D2B G2B 82B 91B)	39T9178	*
Korean (models AKK ALK D3K D4K D8K E1K E3K EGK EHK F1K F2K B6K B7K B8K 41K 42K 4JK 4KK H2K H3K H4K B9K BAK BBK 61K 62K 63K 64K G7K G8K G9K GAK GBK GCK 93K 94K 95K 96K 97K H6K)	39T9194	*
Japanese (models A1J A2J A7J A8J)	41W2574	*

8289 Windows XP Pro Recovery CDs	FRU#	CRU
US/UK/AP/TH (models ADM ADA ADQ ADT ADH ADR AEU AGA AGQ AGT AGH AHM AMM 21U 21A 21Q 21T 22U 22H 27A 27Q 27T 29M 2EM 2FM D5U D6M D7M D9U DAM E4U E5M E5H E6M EBU EJM G3M G4M G5M AYA AYQ AYT B4A B4Q B4T B5A B5Q B5T 43H 44U 44M 4DU 4DM 4QM 4RM H1U H5M H5H G6U 83M 84M 85M 92U 71G AWM BCM GDU GEU GFU 57U 58U 59U 5AU 5CU 5DU 5EU GJQ 98Q)	41T1809	*
RE (models 71G)	41T4985	*
FR/CF (models AEF 21F 22F D5F D9F E4F EBF 44F 4DF H1F G6F 92F 71G GDF GEF GFF 58F 59F 5AF 5DF 5EF)	41T4134	*
GR (models 71G)	41T4135	*
SP/LA (models 71G)	41T4136	*
IT (models 71G)	41T4137	*
SV (models 71G)	41T4139	*
DK (models 71G)	41T4991	*
FI (models 71G)	41T4997	*
NO (models 71G)	41T5003	*
NL (models 71G)	41T5009	*
HE (models 71G)	41T5015	*
PL (models 71G)	41T5021	*

8289 Windows XP Pro Recovery CDs	FRU#	CRU
CZ (models 71G)	41T5027	*
AE (models 71G)	41T5033	*
RU (models 71G)	41T5039	*
TR (models 71G)	41T5045	*
HU (models 71G)	41T5051	*
PO (models 71G)	41T5057	*
GK (models 71G)	41T5063	*
SL (models 71G)	41T5069	*
Simplified Chinese (models 21C)	39T9138	*
Taiwan-TC (models ADV AJV B1V B2V 2LV 2MV D1V DBV E2V EKV F3V F4V G1V 4SV 4TV 81V 5BV GJV 98V)	39T9154	*
Hong Kong-TC (models ADB AGB 22B E5B 43B H5B)	39T9170	*
Korea (models ADK)	39T9186	*
Japanese (models A3J A4J A5J A6J A9J AAJ ABJ ACJ ANJ APJ AQJ ARJ ASJ ATJ AUJ AVJ 23J 24J 25J 26J 2AJ 2BJ 2CJ 2DJ 2GJ 2HJ 2JJ 2KJ D9J DBJ E7J E8J E9J EAJ ECJ EDJ EEJ EFJ 45J 46J 47J 48J 49J 4AJ 4BJ 4CJ 4EJ 4FJ 4GJ 4HJ 4LJ 4MJ 4NJ 4PJ 51J 52J 53J 54J 55J 56J GGJ GHJ)	41W2566	*
Multilingual 1 (models 71G)	41T4206	*
Multilingual 2 (models 71G)	41T5159	*

# Machine Type 8296



Item #	8296 FRUs	FRU#	CRU
1	Bezel Asm (all models)	41A7807	*
2	Chassis Asm (all models)	41A7808	N
3	Power supply, 310 W, standard (models CTO D3U D3F D4U D4F D8A D8T DAK DAR DBK DBR DCA DCT E3A E3T E4K E6U E6F E8A E9K E9R EAU EAF F1U F1F F6A F6T F7A F7T G4K G7A G7T 71G 72G 73G)	24R2596	**
3	Power supply, 310 W, standard, DMO (models CTO D3U D3F D4U D4F D8A D8T DAK DAR DBK DBR DCA DCT E3A E3T E4K E6U E6F E8A E9K E9R EAU EAF F1U F1F F6A F6T F7A F7T G4K G7A G7T 71G 72G 73G 41A 41T 42A 42T 43K 44K 48U 48F 4AU 4AF H1K H1R H3A H3T H4A H4T 84K 87A 87T 88G 92A 92T 74G 75G 52A 55A J4K 76G 77G 78G)	41N3143	**
3	Power supply, 310 W (China) (models CTO-A CTO-L A1S A1P A1L A1Y B1S B1P B1L B1Y B2B B2H 21S 21P 21L 21Y 22S 22P 22L 22Y D1S D1P D1L D1Y D2S D2P D2L D2Y D5C D6C D7V D8Q D8B D8H D9Q DCQ DDC E1C E2V E3Q E5C E7Q E8Q EBS EBP EBL EBY ECS ECP ECL ECY EDS EDP EDL EDY F2S F2P F2L F2Y F3S F3P F3L F3Y F4S F4P F4L F4Y F5C F6Q F7Q G1S G1P G1L G1Y G2S G2P G2L G2Y G3C G5V G6B G6H G7Q)	24R2598	**

Item #	8296 FRUs	FRU#	CRU
3	Power supply, 310 W Robust, DMO (models A1Q 28Q 61Q 62B 62H G6Q B2S B2Y B3S B3Y 24Y 27Y 29S 29Y 29C 29B 29H 51S 51Y 52Y 53S 53Y 53C 53B 53H 54S 54Y 55Y 56S 56Y 56C 56B 56H DEC DEB DEH DFV G8S G8Y G9S G9Y J1C J1B J1H J2S J2Y J3S J3Y J3C J3B J3H 8CS 8CY 8DS 8DY 8DC 8DB 8DH 8ES 8EY CTO-A CTO-L A1S A1P A1L A1Y B1S B1P B1L B1Y B2B B2H 21S 21P 21L 21Y 22S 22P 22L 22Y D1S D1P D1L D1Y D2S D2P D2L D2Y D5C D6C D7V D8Q D8B D8H D9Q DCQ DDC E1C E2V E3Q E5C E7Q E8Q EBS EBP EBL EBY ECS ECP ECL ECY EDS EDP EDL EDY F2S F2P F2L F2Y F3S F3P F3L F3Y F4S F4P F4L F4Y F5C F6Q F7Q G1S G1P G1L G1Y G2S G2P G2L G2Y G3C G5V G6B G6H G7Q 41S 41P 41L 41Y 41Q 42Q 45S 45P 45L 45Y 46S 46P 46L 46Y 47S 47P 47L 47Y H2C H3Q H4Q 81S 81P 81L 81Y 82S 82P 82L 82Y 83C 85V 86B 86H 87Q 91C 92Q 93B 93H)	41N3366	**
4	Cover (all models)	39M0465	*
5	Memory module, 256MB, DDR2 SDRAM, NP (PC 4200) (models A1Q 28Q 61Q 62B 62H G6Q B2S B2Y 24Y 51S 51Y 54S 54Y DFV CTO A1S A1P A1L A1Y B1S B1P B1L B1Y B2B B2H 21S 21P 21L 21Y 22S 22P 22L 22Y D1S D1P D1L D1Y D2S D2P D2L D2Y D5C D6C D7V D8A D8Q D8T D8B D8H D9Q DDC E1C E2V E3A E3Q E3T E7Q EBS EBP EBL EBY ECS ECP ECL ECY EDS EDP EDL EDY F2S F2P F2L F2Y F3S F3P F3L F3Y F4S F4P F4L F4Y F6A F6Q F6T G1S G1P G1L G1Y G2S G2P G2L G2Y G5V G6B G6H G7A G7Q G7T 41S 41P 41L 41Y 41A 41Q 41T 45S 45P 45L 45Y 46S 46P 46L 46Y 47S 47P 47L 47Y H3A H3Q H3T 81S 81P 81L 81Y 82S 82P 82L 82Y 85V 86B 86H 87A 87Q 87T 92A 92Q 92T 93B 93H)	30R5120	*
5	Memory module, 512MB, DDR2 SDRAM, NP (PC 4200) (models CTO D3U D3F D4U D4F DAK DAR DBK DBR DCA DCQ DCT E4K E5C E6U E6F E8A E8Q E9K E9R EAU EAF F1U F1F F5C F7A F7Q F7T G3C 71G 72G 73G 42A 42Q 42T 43K 44K 48U 48F 4AU 4AF H2C H4A H4Q H4T 83C 88G 91C 74G 75G B3S B3Y 27Y 29S 29Y 29C 29B 29H 52A 52Y 53S 53Y 53C 53B 53H 55A 55Y 56S 56Y 56C 56B 56H DEC DEB DEH G8S G8Y G9S G9Y J1C J1B J1H J2S J2Y J3S J3Y J3C J3B J3H 76G 77G 78G 8CS 8CY 8DS 8DY 8DC 8DB 8DH)	30R5121	*
5	Memory module, 1GB, DDR2 SDRAM, NP (PC 4200) (models CTO G4C H1K H1R 84K J4K 8ES 8EY)	30R5122	*
5	Memory module, 2GB, DDR2 SDRAM, NP (PC 4200) (models CTO)	30R5123	*
6	Heat sink (all models)	39M0538	**
7	System board, (models 8CS 8CY 8DS 8DY 8DC 8DB 8DH 8ES 8EY 41S 41P 41L 41Y 41A 41Q 41T 42A 42Q 42T 43K 44K 45S 45P 45L 45Y 46S 46P 46L 46Y 47S 47P 47L 47Y 48U 48F 4AU 4AF H1K H1R H2C H3A H3Q H3T H4A H4Q H4T 81S 81P 81L 81Y 82S 82P 82L 82Y 83C 84K 85V 86B 86H 87A 87Q 87T 88G 91C 92A 92Q 92T 93B 93H 74G 75G A1Q 28Q 61Q 62B 62H G6Q B2S B2Y B3S B3Y 24Y 27Y 29S 29Y 29C 29B 29H 51S 51Y 52A 52Y 53S 53Y 53C 53B 53H 54S 54Y 55A 55Y 56S 56Y 56C 56B 56H DEC DEB DEH DFV G8S G8Y G9S G9Y J1C J1B J1H J2S J2Y J3S J3Y J3C J3B J3H J4K 76G 77G 78G CTO A1S A1P A1L A1Y B1S B1P B1L B1Y B2B B2H 21S 21P 21L 21Y 22S 22P 22L 22Y D1S D1P D1L D1Y D2S D2P D2L D2Y D3U D3F D4U D4F D5C D6C D7V D8A D8Q D8T D8B D8H D9Q DAK DAR DBK DBR DCA DCQ DCT DDC E1C E2V E3A E3Q E3T E4K E5C E6U E6F E7Q E8A E8Q E9K E9R EAU EAF EBS EBP EBL EBY ECS ECP ECL ECY EDS EDP EDL EDY F1U F1F F2S F2P F2L F2Y F3S F3P F3L F3Y F4S F4P F4L F4Y F5C F6A F6Q F6T F7A F7Q F7T G1S G1P G1L G1Y G2S G2P G2L G2Y G3C G4K G5V G6B G6H G7A G7Q G7T 71G 72G 73G)	41X0161	N
8	Microprocessor, Celeron 2.53GHz, 533 FSB, 256KB L2 (models CTO)	39J7016	**
8	Microprocessor, Celeron 2.66GHz, 533 FSB, 256KB L2 (models CTO)	39J7017	**
8	Microprocessor, Celeron 2.80GHz, 533 FSB, 256KB L2 (models CTO A1S A1P A1L A1Y A1Q)	39J7018	**
8	Microprocessor, Celeron 2.93GHz, 533 FSB, 256KB L2 (models CTO B1S B1P B1L B1Y)	39J7019	**



Item #	8296 FRUs	FRU#	CRU
8	Microprocessor, Celeron 3.06GHz, 533 FSB, 256KB L2 (models CTO B2B B2H B2S B2Y B3S B3Y)	39J7020	**
8	Microprocessor, Celeron 3.20GHz, 533 FSB, 256KB L2 (models CTO)	39J9696	**
8	Microprocessor, Pentium 4 2.66GHz, 533 FSB, 1MB L2 (models CTO 28Q)	41D0690	**
8	Microprocessor, Pentium 4 2.93GHz, 533 FSB, 1MB L2 (models CTO)	41D0692	**
8	Microprocessor, Pentium 4 2.93GHz, 533 FSB, 1MB L2 (models CTO)	41D0692	**
8	Microprocessor, Pentium 4 3.06GHz, 533 FSB, 1MB L2 (models CTO 21S 21P 21L 21Y 22S 22P 22L 22Y)	41D0694	**
8	Microprocessor, Pentium 4 2.8GHz, 800 FSB, 1MB L2 (models CTO 41S 41P 41L 41Y 41A 41Q 41T 42A 42Q 42T 43K 44K 45S 45P 45L 45Y 46S 46P 46L 46Y 47S 47P 47L 47Y 48U 48F 4AU 4AF)	39J7021	**
8	Microprocessor, Pentium 4 3.06GHz 533MHz FSB 1MB L2 (models CTO 24Y 27Y 29S 29Y 29C 29B 29H)	41T4104	**
8	Microprocessor, Pentium 4 3.0GHz, 800 FSB, 1MB L2 (models CTO 51S 51Y 52A 52Y 53S 53Y 53C 53B 53H)	39J7022	**
8	Microprocessor, Pentium 4 3.2GHz, 800 FSB, 1MB L2 (models CTO 54S 54Y 55A 55Y 56S 56Y 56C 56B 56H)	39J7023	**
8	Microprocessor, Pentium 4 3.4GHz, 800 FSB, 1MB L2 (models CTO)	39J7024	**
8	Microprocessor, 2.8 GHZ Prescott P4, 800FSB, 2MB (models CTO CTO 61Q 62B 62H)	41X2412	**
8	Microprocessor, Pentium 4 3.0GHz, 800 FSB, 2MB L2 (models CTO D1S D1P D1L D1Y D2S D2P D2L D2Y D3U D3F D4U D4F D5C D6C D7V D8A D8Q D8T D8B D8H D9Q DAK DAR DBK DBR DCA DCQ DCT DDC 71G DEC DEB DEH DFV)	39J7025	**
8	Microprocessor, Pentium 4 3.0GHz, Cedar Mill 800 FSB, 2MB L2 (models CTO)	41D5054	**
8	Microprocessor, Pentium 4 3.2GHz, 800 FSB, 2MB L2 (models CTO E1C E2V E3A E3Q E3T E4K E5C E6U E6F E7Q E8A E8Q E9K E9R EAU EAF EBS EBP EBL EBY ECS ECP ECL ECY EDS EDP EDL EDY 72G)	39J7026	**
8	Microprocessor, Pentium 4 3.2GHz, Cedar Mill 800 FSB, 2MB L2 (models CTO)	41D5056	**
8	Microprocessor, Pentium 4 3.4GHz, 800 FSB, 2MB L2 (models CTO F1U F1F F2S F2P F2L F2Y F3S F3P F3L F3Y F4S F4P F4L F4Y F5C F6A F6Q F6T F7A F7Q F7T)	39J7027	**
8	Microprocessor, Pentium 4 3.4GHz, Cedar Mill 800 FSB, 2MB L2 (models CTO)	41D5058	**
8	Microprocessor, Pentium 4 3.6GHz, Cedar Mill 800 FSB, 2MB L2 (models CTO H1K H1R H2C H3A H3Q H3T H4A H4Q H4T)	41D5060	**
8	Microprocessor, Smithfield Pentium 4 2.8.4GHz, 800 FSB, 2x1MB L2 (models CTO G1S G1P G1L G1Y G2S G2P G2L G2Y G3C G4K G5V G6B G6H G7A G7Q G7T 73G 74G 75G G6Q G8S G8Y G9S G9Y 76G)	39J8469	**
8	Microprocessor, Pentium D Processor 2.8 GHz 800MHz FSB 2Mx2 L2 C1-Value (models CTO 77G 78G)	TBD	**
8	Microprocessor, Pentium 4 2.8GHz, Presler 800 FSB, 2x2MB L2 (models CTO 81S 81P 81L 81Y 82S 82P 82L 82Y 83C 84K 85V 86B 86H 87A 87Q 87T 88G)	41D5062	**
8	Microprocessor, Pentium D, 3.0 GHz, 800MHz FSB, 2MBx2 L2 (models CTO 8CS 8CY 8DS 8DY 8DC 8DB 8DH 8ES 8EY)	TBD	**
8	Microprocessor, Pentium D, 3.0 GHz, 800MHz FSB, 2MBx2 L2 (models CTO 91C 92A 92Q 92T 93B 93H)	41D5052	**
8	Microprocessor, Pentium D Processor 3.2 GHz 800MHz FSB 2Mx2 L2 C1-Value (models CTO J1C J1B J1H)	41X4230	**

Item #	8296 FRUs	FRU#	CRU
8	Microprocessor, Pentium D Processor 3.2 GHz 800MHz FSB 2Mx2 L2 C1-Value (models CTO J2S J2Y J3S J3Y J3C J3B J3H J4K)	TBD	**
9	Front panel card Asm (all models)	26K1183	**
10	Speaker Asm, Soldered Terminals (all models)	39P5023	**
11	Hard disk drive, 40GB, 7200RPM, Serial ATA (models CTO)	40Y9033	**
11	Hard disk drive, 40GB, 7200RPM, Serial ATA (models CTO)	40Y8760	**
11	Hard disk drive, 80GB, 7200RPM, Serial ATA (models 41S 41P 41L 41Y 41A 41Q 41T 42A 42Q 42T 44K 45S 45P 45L 45Y 46S 46P 46L 46Y 47S 47P 47L 47Y 48U 48F 4AU 4AF H3A H3Q H3T H4A H4Q H4T 81S 81P 81L 81Y 85V 86B 86H 87A 87Q 87T 92A 92Q 92T 93B 93H DEC DEB DEH DFV G8S G8Y G9S G9Y J1C J1B J1H J2S J2Y J3S J3Y J3C J3B J3H 8CS 8CY 8DS 8DY 8DC 8DB 8DH 8ES 8EY CTO A1S A1P A1L A1Y B1S B1P B1L B1Y B2B B2H 21S 21P 21L 21Y 22S 22P 22L 22Y D1S D1P D1L D1Y D2S D2P D2L D2Y D3U D3F D4U D4F D5C D6C D7V D8A D8Q D8T D8B D8H D9Q DAK DAR DCA DCQ DCT DDC E1C E2V E3A E3Q E3T E6U E6F E7Q E8A E8Q EAU EAF EBS EBP EBL EBY ECS ECP ECL ECY F1U F1F F2S F2P F2L F2Y F6A F6Q F6T F7A F7Q F7T G1S G1P G1L G1Y G5V G6B G6H G7A G7Q G7T 71G 74G 75G A1Q 28Q 61Q 62B 62H G6Q B2S B2Y B3S B3Y 24Y 27Y 29S 29Y 29C 29B 29H 51S 51Y 52A 52Y 53S 53Y 53C 53B 53H 54S 54Y 55A 55Y 56S 56Y 56C 56B 56H)	40Y9034	**
11	Hard disk drive, 80GB, 7200RPM, Serial ATA (models 41S 41P 41L 41Y 41A 41Q 41T 42A 42Q 42T 44K 45S 45P 45L 45Y 46S 46P 46L 46Y 47S 47P 47L 47Y 48U 48F 4AU 4AF H3A H3Q H3T H4A H4Q H4T 81S 81P 81L 81Y 85V 86B 86H 87A 87Q 87T 92A 92Q 92T 93B 93H DEC DEB DEH DFV G8S G8Y G9S G9Y J1C J1B J1H J2S J2Y J3S J3Y J3C J3B J3H 8CS 8CY 8DS 8DY 8DC 8DB 8DH 8ES 8EY CTO A1S A1P A1L A1Y B1S B1P B1L B1Y B2B B2H 21S 21P 21L 21Y 22S 22P 22L 22Y D1S D1P D1L D1Y D2S D2P D2L D2Y D3U D3F D4U D4F D5C D6C D7V D8A D8Q D8T D8B D8H D9Q DAK DAR DCA DCQ DCT DDC E1C E2V E3A E3Q E3T E6U E6F E7Q E8A E8Q EAU EAF EBS EBP EBL EBY ECS ECP ECL ECY F1U F1F F2S F2P F2L F2Y F6A F6Q F6T F7A F7Q F7T G1S G1P G1L G1Y G5V G6B G6H G7A G7Q G7T 71G 74G 75G A1Q 28Q 61Q 62B 62H G6Q B2S B2Y B3S B3Y 24Y 27Y 29S 29Y 29C 29B 29H 51S 51Y 52A 52Y 53S 53Y 53C 53B 53H 54S 54Y 55A 55Y 56S 56Y 56C 56B 56H)	40Y8761	**
11	Hard disk drive, 160GB, 7200RPM, Serial ATA (models CTO DBK DBR E4K E5C E9K E9R EDS EDP EDL EDY F3S F3P F3L F3Y F5C G2S G2P G2L G2Y G3C G4K 72G 73G 43K H1K H1R H2C 82S 82P 82L 82Y 83C 84K 88G 91C J4K 76G 77G 78G)	40Y8762	**
11	Hard disk drive, 160GB, 7200RPM, Serial ATA (models CTO DBK DBR E4K E5C E9K E9R EDS EDP EDL EDY F3S F3P F3L F3Y F5C G2S G2P G2L G2Y G3C G4K 72G 73G 43K H1K H1R H2C 82S 82P 82L 82Y 83C 84K 88G 91C J4K 76G 77G 78G)	40Y9035	**
11	Hard disk drive, 250GB, 7200RPM, Serial ATA (models CTO F4S F4P F4L F4Y)	40Y8763	**
11	Hard disk drive, 250GB, 7200RPM, Serial ATA (models CTO F4S F4P F4L F4Y)	40Y9036	**
12	Diskette drive, 1.44MB, 3-mode, w/o bezel (models 51S 51Y 52A 52Y 53S 53Y 53C 53B 53H 54S 54Y 55A 55Y 56S 56Y 56C 56B 56H DEC DEB DEH DFV G8S G8Y G9S G9Y J1C J1B J1H J2S J2Y J3S J3Y J3C J3B J3H 8CS 8CY 8DS 8DY 8DC 8DB 8DH 8ES 8EY CTO A1S A1P A1L A1Y B1S B1P B1L B1Y B2B B2H 21S 21P 21L 21Y D1S D1P D1L D1Y D5C D6C D7V D8A D8Q D8T D8B D8H D9Q DCA DCQ DCT DDC E1C E2V E3A E3Q E3T E5C E7Q E8A E8Q EBS EBP EBL EBY F2S F2P F2L F2Y F5C F6A F6Q F6T F7A F7Q F7T G3C G5V G6B G6H G7A G7Q G7T 41S 41P 41L 41Y 41A 41Q 41T 42A 42Q 42T 43K 44K 45S 45P 45L 45Y 46S 46P 46L 46Y H1K H1R H2C H3A H3Q H3T H4A H4Q H4T 83C 85V 86B 86H 87A 87Q 87T 91C 92A 92Q 92T 93B 93H 75G A1Q 28Q 61Q G6Q B2S B2Y 24Y 27Y 29S 29Y 29C 29B 29H)	40Y9107	*

Item #	8296 FRUs	FRU#	CRU
12	Diskette drive, 1.44MB, 3-mode, w/o bezel (models 51S 51Y 52A 52Y 53S 53Y 53C 53B 53H 54S 54Y 55A 55Y 56S 56Y 56C 56B 56H DEC DEB DEH DFV G8S G8Y G9S G9Y J1C J1B J1H J2S J2Y J3S J3Y J3C J3B J3H 8CS 8CY 8DS 8DY 8DC 8DB 8DH 8ES 8EY CTO A1S A1P A1L A1Y B1S B1P B1L B1Y B2B B2H 21S 21P 21L 21Y D1S D1P D1L D1Y D5C D6C D7V D8A D8Q D8T D8B D8H D9Q DCA DCQ DCT DDC E1C E2V E3A E3Q E3T E5C E7Q E8A E8Q EBS EBP EBL EBY F2S F2P F2L F2Y F5C F6A F6Q F6T F7A F7Q F7T G3C G5V G6B G6H G7A G7Q G7T 41S 41P 41L 41Y 41A 41Q 41T 42A 42Q 42T 43K 44K 45S 45P 45L 45Y 46S 46P 46L 46Y H1K H1R H2C H3A H3Q H3T H4A H4Q H4T 83C 85V 86B 86H 87A 87Q 87T 91C 92A 92Q 92T 93B 93H 75G A1Q 28Q 61Q G6Q B2S B2Y 24Y 27Y 29S 29Y 29C 29B 29H)	40Y9105	*
12	Diskette drive, 1.44MB, 3-mode, w/o bezel (models 51S 51Y 52A 52Y 53S 53Y 53C 53B 53H 54S 54Y 55A 55Y 56S 56Y 56C 56B 56H DEC DEB DEH DFV G8S G8Y G9S G9Y J1C J1B J1H J2S J2Y J3S J3Y J3C J3B J3H 8CS 8CY 8DS 8DY 8DC 8DB 8DH 8ES 8EY CTO A1S A1P A1L A1Y B1S B1P B1L B1Y B2B B2H 21S 21P 21L 21Y D1S D1P D1L D1Y D5C D6C D7V D8A D8Q D8T D8B D8H D9Q DCA DCQ DCT DDC E1C E2V E3A E3Q E3T E5C E7Q E8A E8Q EBS EBP EBL EBY F2S F2P F2L F2Y F5C F6A F6Q F6T F7A F7Q F7T G3C G5V G6B G6H G7A G7Q G7T 41S 41P 41L 41Y 41A 41Q 41T 42A 42Q 42T 43K 44K 45S 45P 45L 45Y 46S 46P 46L 46Y H1K H1R H2C H3A H3Q H3T H4A H4Q H4T 83C 85V 86B 86H 87A 87Q 87T 91C 92A 92Q 92T 93B 93H 75G A1Q 28Q 61Q G6Q B2S B2Y 24Y 27Y 29S 29Y 29C 29B 29H)	40Y9113	*
13	CD-ROM drive 48X (models CTO A1S A1P A1L A1Y B1S B1P B1L B1Y B2B B2H 21S 21P 21L 21Y D1S D1P D1L D1Y D3U D3F D8A D8Q D8T D8B D8H DAK DAR E3A E3Q E3T E6U E6F EBS EBP EBL EBY F2S F2P F2L F2Y G6B G6H 41S 41P 41L 41Y 41A 41Q 41T 43K 44K 45S 45P 45L 45Y 4AU 4AF H1K H1R 86B 86H 93B 93H A1Q 28Q 61Q 62B 62H G6Q B2S B2Y 24Y 27Y 51S 51Y 52A 52Y 54S 54Y 55A 55Y G8S G8Y J2S J2Y 8CS 8CY)	40Y8955	*
13	CD-ROM drive 48X (models CTO A1S A1P A1L A1Y B1S B1P B1L B1Y B2B B2H 21S 21P 21L 21Y D1S D1P D1L D1Y D3U D3F D8A D8Q D8T D8B D8H DAK DAR E3A E3Q E3T E6U E6F EBS EBP EBL EBY F2S F2P F2L F2Y G6B G6H 41S 41P 41L 41Y 41A 41Q 41T 43K 44K 45S 45P 45L 45Y 4AU 4AF H1K H1R 86B 86H 93B 93H A1Q 28Q 61Q 62B 62H G6Q B2S B2Y 24Y 27Y 51S 51Y 52A 52Y 54S 54Y 55A 55Y G8S G8Y J2S J2Y 8CS 8CY)	40Y8929	*
13	CD-ROM drive 48X (models CTO A1S A1P A1L A1Y B1S B1P B1L B1Y B2B B2H 21S 21P 21L 21Y D1S D1P D1L D1Y D3U D3F D8A D8Q D8T D8B D8H DAK DAR E3A E3Q E3T E6U E6F EBS EBP EBL EBY F2S F2P F2L F2Y G6B G6H 41S 41P 41L 41Y 41A 41Q 41T 43K 44K 45S 45P 45L 45Y 4AU 4AF H1K H1R 86B 86H 93B 93H A1Q 28Q 61Q 62B 62H G6Q B2S B2Y 24Y 27Y 51S 51Y 52A 52Y 54S 54Y 55A 55Y G8S G8Y J2S J2Y 8CS 8CY)	40Y8953	*
13	CD-ROM drive 48X (models CTO A1S A1P A1L A1Y B1S B1P B1L B1Y B2B B2H 21S 21P 21L 21Y D1S D1P D1L D1Y D3U D3F D8A D8Q D8T D8B D8H DAK DAR E3A E3Q E3T E6U E6F EBS EBP EBL EBY F2S F2P F2L F2Y G6B G6H 41S 41P 41L 41Y 41A 41Q 41T 43K 44K 45S 45P 45L 45Y 4AU 4AF H1K H1R 86B 86H 93B 93H A1Q 28Q 61Q 62B 62H G6Q B2S B2Y 24Y 27Y 51S 51Y 52A 52Y 54S 54Y 55A 55Y G8S G8Y J2S J2Y 8CS 8CY)	40Y8807	*
13	CD-RW drive (48X/32X/48X) (models CTO 22S 22P 22L 22Y D2S D2P D2L D2Y D9Q E7Q ECS ECP ECL ECY EDS EDP EDL EDY F3S F3P F3L F3Y F4S F4P F4L F4Y F6A F6Q F6T G1S G1P G1L G1Y G2S G2P G2L G2Y G7A G7Q G7T 46S 46P 46L 46Y 47S 47P 47L 47Y H3A H3Q H3T 81S 81P 81L 81Y 82S 82P 82L 82Y 87A 87Q 87T 92A 92Q 92T)	40Y8901	*
13	CD-RW drive (48X/32X/48X) (models CTO 22S 22P 22L 22Y D2S D2P D2L D2Y D9Q E7Q ECS ECP ECL ECY EDS EDP EDL EDY F3S F3P F3L F3Y F4S F4P F4L F4Y F6A F6Q F6T G1S G1P G1L G1Y G2S G2P G2L G2Y G7A G7Q G7T 46S 46P 46L 46Y 47S 47P 47L 47Y H3A H3Q H3T 81S 81P 81L 81Y 82S 82P 82L 82Y 87A 87Q 87T 92A 92Q 92T)	40Y8937	*

Item #	8296 FRUs	FRU#	CRU
13	DVD-ROM (16X/48X) - black (models CTO D5C D7V E1C E2V G5V 85V 74G 75G DFV)	40Y8931	*
13	DVD-ROM (16X/48X) - black (models CTO D5C D7V E1C E2V G5V 85V 74G 75G DFV)	40Y8933	*
13	DVD-ROM (16X/48X) - black (models CTO D5C D7V E1C E2V G5V 85V 74G 75G DFV)	40Y8935	*
13	DVD-ROM (16X/48X) - black (models CTO D5C D7V E1C E2V G5V 85V 74G 75G DFV)	40Y8957	*
13	CD-RW/DVD-ROM Combo drive (48X/32X/48X/16X Max) (models CTO D4U D4F D6C DBK DBR DCA DCQ DCT DDC E4K E5C E8A E8Q E9K E9R EAU EAF F1U F1F F7A F7Q F7T G4K 71G 42A 42Q 42T 48U 48F H4A H4Q H4T 84K B3S B3Y 29S 29Y 29C 29B 29H 53S 53Y 53C 53B 53H 56S 56Y 56C 56B 56H DEC DEB DEH G9S G9Y J1C J1B J1H J3S J3Y J3C J3B J3H J4K 77G 8DS 8DY 8DC 8DB 8DH 8ES 8EY)	40Y8919	*
13	CD-RW/DVD-ROM Combo drive (48X/32X/48X/16X Max) (models CTO D4U D4F D6C DBK DBR DCA DCQ DCT DDC E4K E5C E8A E8Q E9K E9R EAU EAF F1U F1F F7A F7Q F7T G4K 71G 42A 42Q 42T 48U 48F H4A H4Q H4T 84K B3S B3Y 29S 29Y 29C 29B 29H 53S 53Y 53C 53B 53H 56S 56Y 56C 56B 56H DEC DEB DEH G9S G9Y J1C J1B J1H J3S J3Y J3C J3B J3H J4K 77G 8DS 8DY 8DC 8DB 8DH 8ES 8EY)	40Y8941	*
13	Multiburner Plus (models CTO 72G 73G 74G F5C G3C 72G 73G H2C 83C 88G 91C 76G 78G)	40Y8909	*

The FRUs listed in the following table are not illustrated.

8296 FRUs	FRU#	CRU
Shield, 5.25 EMC (all models)	39M0460	*
Cable, SATA (18-inch RoHs) (all models)	26K1186	*
Hard disk drive mounting bracket (all models)	39M0461	*
Cable, serial (all models)	39K5021	*
EMC shield, diskette drive (all models)	39M0464	*
Cable, diskette drive (RoHs) (all models)	26K1184	*
Fan duct Asm (all models)	39M0470	*
Power switch/LED Asm (all models)	39M0471	**
Device retaining clips (all models)	39M0473	**
Shield, system board (all models)	39M0520	N
Miscellaneous hardware kit (all models)	39M0477	*
Cable, 1394 panel mount (all models)	39M0478	*
RM kit (all models)	39K5046	N
Cable, 2 Drop IDE (all models)	39M0516	*
Hard Disk Drive Tray w/screws (all models)	39M0491	**
Universal Adapter Bracket 5.25 to 3.5-inch (all models)	32P4743	*
Battery, 3.0V (all models)	33F8354	*

8296 Keyboard (Preferred Pro, Fullsize, Stealth black)	FRU#	CRU
US English (models CTO-U CTO-G A1L B1L B2H 21L 22L D1L D2L D3U D4U D5C D6C D8A D8Q D8H D9Q DAR DBR DCA DCQ DDC E1C E3A E3Q E5C E6U E7Q E8A E8Q E9R EAU EBL ECL EDL F1U F2L F3L F4L F5C F6A F6Q F7A F7Q G1L G2L G3C G6H G7A G7Q 71G 41L 41A 41Q 42A 42Q 45L 46L 47L 48U 4AU H1R H2C H3A H3Q H4A H4Q 81L 82L 83C 86H 87A 87Q 91C 92A 92Q 93H 74G 75G A1Q 28Q 61Q 62H G6Q 29C 29H 52A 53C 53H 55A 56C 56H DEC DEH J1C J1H J3C J3H 76G 77G 8DC 8DH)	89P8300	*
Arabic (models CTO-G 71G 74G 75G 76G 77G)	89P8301	*
Belgian/French (models CTO-G 71G 74G 75G 76G 77G)	89P8302	*
Belgian/UK (models CTO-G 71G 74G 75G 76G 77G)	89P8303	*
Brazil/Portugese (models CTO-L A1P B1P 21P 22P D1P D2P EBP ECP EDP F2P F3P F4P G1P G2P 41P 45P 46P 47P 81P 82P)	89P8304	*
Bulgarian (models CTO-G 71G 74G 75G 76G 77G)	89P8305	*
Chinese/US (models B2B D7V D8B E2V G5V G6B 85V 86B 93B 62B 29B 53B 56B DEB DFV J1B J3B 8DB)	89P8306	*
Czech (models CTO-G 71G 74G 75G 76G 77G)	89P8307	*
Danish (models CTO-G 71G 74G 75G 76G 77G)	89P8308	*
Dutch (models CTO-G 71G 74G 75G 76G 77G)	89P8309	*
French (models CTO-G 71G 74G 75G 76G 77G)	89P8310	*
French Canadian 445 (models CTO-U D3F D4F E6F EAF F1F 48F 4AF)	89P8311	*
French Canadian 58 (models CTO-U D3F D4F E6F EAF F1F 48F 4AF)	89P8312	*
German (models CTO-G 71G 74G 75G 76G 77G)	89P8313	*
Greek (models CTO-G 71G 74G 75G 76G 77G)	89P8314	*
Hebrew (models CTO-G 71G 74G 75G 76G 77G)	89P8315	*
Hungarian (models CTO-G 71G 74G 75G 76G 77G)	89P8316	*
Iceland (models CTO-G 71G 74G 75G 76G 77G)	89P8317	*
Italian 142 (models CTO-G 71G 74G 75G 76G 77G)	89P8319	*
Korean (models DAK DBK E4K E9K G4K 43K 44K H1K 84K J4K)	89P8321	*
LA Spanish (models CTO-L A1S A1Y B1S B1Y 21S 21Y 22S 22Y D1S D1Y D2S D2Y EBS EBY ECS ECY EDS EDY F2S F2Y F3S F3Y F4S F4Y G1S G1Y G2S G2Y 41S 41Y 45S 45Y 46S 46Y 47S 47Y 81S 81Y 82S 82Y B2S B2Y B3S B3Y 24Y 27Y 29S 29Y 51S 51Y 52Y 53S 53Y 54S 54Y 55Y 56S 56Y G8S G8Y G9S G9Y J2S J2Y J3S J3Y 8CS 8CY 8DS 8DY 8ES 8EY)	89P8322	*
Norwegian (models CTO-G 71G 74G 75G 76G 77G)	89P8323	*
Polish (models CTO-G 71G 74G 75G 76G 77G)	89P8324	*
Portuguese (models CTO-G 71G 74G 75G 76G 77G)	89P8325	*
Romanian (models CTO-G 71G 74G 75G 76G 77G)	89P8326	*
Russian/Cyrillic (models CTO-G 71G 74G 75G 76G 77G)	89P8328	*
Serbian/Cyrillic (models CTO-G 71G 74G 75G 76G 77G)	89P8329	*
Slovak (models CTO-G 71G 74G 75G 76G 77G)	89P8330	*
Spanish (models CTO-G 71G 74G 75G 76G 77G)	89P8331	*
Swedish/Finn (models CTO-G 71G 74G 75G 76G 77G)	89P8332	*
Swiss F/G (models CTO-G 71G 74G 75G 76G 77G)	89P8333	*
Thailand (models CTO-A D8T DCT E3T F6T F7T G7T 41T 42T H3T H4T 87T 92T)	89P8334	*
Turkish 440 (models CTO-G 71G 74G 75G 76G 77G)	89P8335	*
Turkish 179 (models CTO-G 71G 74G 75G 76G 77G)	89P8336	*

<b>8296 Keyboard (Preferred Pro, Fullsize, Stealth black)</b>	<b>FRU#</b>	<b>CRU</b>
UK English (models)	89P8337	*
US Euro (models CTO-G 71G 74G 75G 76G 77G)	89P8338	*
Yugoslav/Latin (models CTO-G 71G 74G 75G 76G 77G)	89P8339	*

<b>8296 Keyboards (with fingerprint reader)</b>	<b>FRU#</b>	<b>CRU</b>
US English (models CTO-U CTO-G 72G 73G 88G 78G)	89P9000	*
Arabic (models CTO-G 72G 73G 88G 78G)	89P9001	*
Arabic/French (models CTO-G 72G 73G 88G 78G)	89P9002	*
Belgian/French (models CTO-G 72G 73G 88G 78G)	89P9003	*
Belgian/UK (models CTO-G 72G 73G 88G 78G)	89P9004	*
Brazilian Portuguese (models CTO-L)	89P9005	*
Bulgarian (models CTO-G 72G 73G 88G 78G)	89P9006	*
Chinese/US (models CTO-G 72G 73G 88G 78G)	89P9007	*
Czech (models CTO-G 72G 73G 88G 78G)	89P9008	*
Danish (models CTO-G 72G 73G 88G 78G)	89P9009	*
Dutch (models CTO-G 72G 73G 88G 78G)	89P9010	*
French (models CTO-G 72G 73G 88G 78G)	89P9011	*
French Canadian 445 (models CTO-U)	89P9012	*
French Canadian 58 (models CTO-U)	89P9013	*
German (models CTO-G 72G 73G 88G 78G)	89P9014	*
Greek (models CTO-G 72G 73G 88G 78G)	89P9015	*
Hebrew (models CTO-G 72G 73G 88G 78G)	89P9016	*
Hungarian (models CTO-G 72G 73G 88G 78G)	89P9017	*
Iceland (models CTO-G 72G 73G 88G 78G)	89P9018	*
Italian 141 (models CTO-G 72G 73G 88G 78G)	89P9019	*
LA Spanish (models CTO-L)	89P9022	*
Norwegian (models CTO-G 72G 73G 88G 78G)	89P9023	*
Polish (models CTO-G 72G 73G 88G 78G)	89P9024	*
Portuguese (models CTO-G 72G 73G 88G 78G)	89P9025	*
Romanian (models CTO-G 72G 73G 88G 78G)	89P9026	*
Romanian (models CTO-G 72G 73G 88G 78G)	89P9027	*
Russian/Cyrillic (models CTO-G 72G 73G 88G 78G)	89P9028	*
Serbian/Cyrillic (models CTO-G 72G 73G 88G 78G)	89P9029	*
Slovak (models CTO-G 72G 73G 88G 78G)	89P9030	*
Spanish (models CTO-G 72G 73G 88G 78G)	89P9031	*
Swedish/Finn (models CTO-G 72G 73G 88G 78G)	89P9032	*
Swiss F/G (models CTO-G 72G 73G 88G 78G)	89P9033	*
Thailand (models CTO-A)	89P9034	*
Turkish 440 (models CTO-G 72G 73G 88G 78G)	89P9035	*
Turkish 179 (models CTO-G 72G 73G 88G 78G)	89P9036	*
UK English (models CTO-G 72G 73G 88G 78G)	89P9037	*

8296 Keyboards (with fingerprint reader)	FRU#	CRU
US Euro (models CTO-G 72G 73G 88G 78G)	89P9038	*
Yugoslav/Latin (models CTO-G 72G 73G 88G 78G)	89P9039	*

8296 mice	FRU#	CRU
Mouse, Scrollpoint Optical, USB (models CTO)	41A4933	*
Mouse, Scrollpoint Optical, USB Optical Wheelmouse, USB (all models)	41A4935	*
Mouse, PS2 Wheelmouse (models CTO)	41A4917	*

8296 Adapters and miscellaneous FRU	FRU#	CRU
Soft Modem V.90/V.44 (models CTO D5C D6C DDC E1C E5C F5C G3C H2C 83C 91C)	29R9729	*
128MB DDR ATI Radeon x300SE (DMS59 connector) (models CTO DBK DBR E9K E9R F5C G4K H2C 84K)	39J9635	*
128MB DDR ATI RADEON X700 PRO VGA, DVI-I, TV-Out PCI-e BTX (models CTO E4K G3C 83C 91C)	39J6203	*
Nvidia GeForce 6200 P262 w/NV44 (models CTO E5C)	39J6213	*
PCI-E DVI-DConnection Adapter (ADD 2-R) (Full Height) (models CTO 71G 72G 73G 88G 76G 77G 78G)	39J9334	*
1394 Firewire PCI LP (ATX) (models CTO D5C D6C DDC E1C E5C F5C G3C H2C 83C 91C)	41D2781	*
Speakers, Jazz Infinity Active T1 (Black) (models CTO D5C D6C DDC E1C E5C F5C G3C H2C 83C 91C)	89P8589	*
Speaker Power brick - US, Canada, LA (low voltage), Taiwan, Phillipines, Thailand (models CTO-U CTO-L CTO-A)	89P8571	*
Speaker Power brick - UK, Hong Kong (British version), ASEAN (models CTO-A)	89P8573	*
Speaker Brick - Europe and LA (high voltage) (models CTO-G CTO-L)	89P8575	*
Speaker Power brick (newer 2 prong) - China, Thailand, Phillipines (models CTO-A D5C D6C DDC E1C E5C F5C G3C H2C 83C 91C)	89P8581	*
Speaker Power brick - ANZ (models CTO-A)	89P8579	*
Speaker Power brick - Brazil (models CTO-L)	89P8583	*
Speaker Power brick - India, South Africa (models CTO-A CTO-G)	89P8385	*
Speaker Power brick - Argentina (models CTO-L)	41A4901	*
RJ11 connector adapter (Spain, Ireland) (All "G" models)	60H6043	*
RJ11 connector adapter (Austria) (All "G" models)	60H6045	*
RJ11 connector adapter (Belgium) (All "G" models)	60H6046	*
RJ11 connector adapter (Denmark) (All "G" models)	60H6047	*
RJ11 connector adapter (Norway, Finland) (All "G" models)	60H6048	*
RJ11 connector adapter (France) (All "G" models)	60H6049	*
RJ11 connector adapter (Germany) (All "G" models)	60H6050	*
RJ11 connector adapter (UK, NZ, HK) (All "G", "M", "B", "H" models)	60H6051	*
RJ11 connector adapter (Italy) (All "G" models)	60H6052	*
RJ11 connector adapter (Netherlands) (All "G" models)	60H6053	*
RJ11 connector adapter (Sweden) (All "G" models)	60H6054	*
RJ11 connector adapter (Switzerland) (All "G" models)	60H6055	*

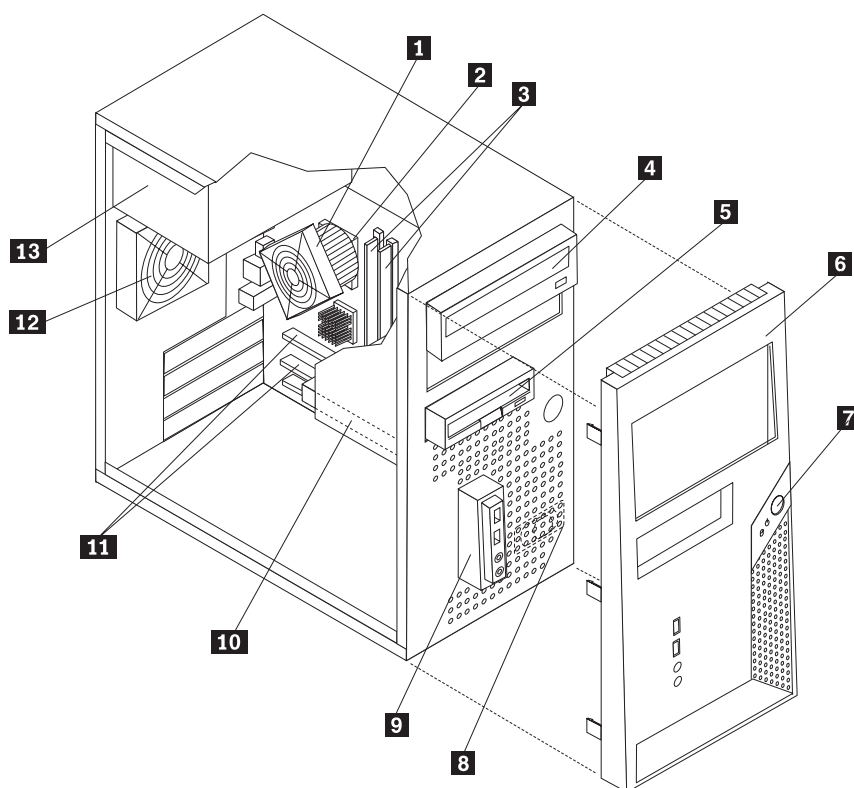
8296 Power Cords	FRU#	CRU
Power cord - US (models CTO-U A1S A1L B1S B1L 21S 21L 22S 22L D1S D1L D2S D2L D3U D3F D4U D4F D8A D8T DCA DCT E3A E3T E6U E6F E8A EAU EAF EBS EBL ECS ECL EDS EDL F1U F1F F2S F2L F3S F3L F4S F4L F6A F6T F7A F7T G1S G1L G2S G2L G7A G7T 41S 41L 41A 41T 42A 42T 45S 45L 46S 46L 47S 47L 48U 48F 4AU 4AF H3A H3T H4A H4T 81S 81L 82S 82L 87A 87T 92A 92T B2S B3S 29S 51S 52A 53S 54S 55A 56S G8S G9S J2S J3S 8CS 8DS 8ES)	39M5080	*
Power cord - China (models D5C D6C DDC E1C E5C F5C G3C H2C 83C 91C 29C 53C 56C DEC J1C J3C 8DC)	39M5205	*
Power cord - Brazil (models CTO-L A1P B1P 21P 22P D1P D2P EBP ECP EDP F2P F3P F4P G1P G2P 41P 45P 46P 47P 81P 82P)	39M5232	*
Power cord - LA High Volt (APU) (models CTO-L A1L A1Y B1L B1Y 21L 21Y 22L 22Y D1L D1Y D2L D2Y EBL EBY ECL ECY EDL EDY F2L F2Y F3L F3Y F4L F4Y G1L G1Y G2L G2Y 41L 41Y 45L 45Y 46L 46Y 47L 47Y 81L 81Y 82L 82Y B2Y B3Y 24Y 27Y 29Y 51Y 52Y 53Y 54Y 55Y 56Y G8Y G9Y J2Y J3Y 8CY 8DY 8EY)	39M5067	*
Power cord - Australia/New Zealand (models CTO-A)	39M5102	*
Power cord - Korea (models DAK DAR DBK DBR E4K E9K E9R G4K 43K 44K H1K H1R 84K J4K)	39M5212	*
Power cord - Hong Kong (models CTO-A B2B B2H D8B D8H G6B G6H 86B 86H 93B 93H 62B 62H 29B 29H 53B 53H 56B 56H DEB DEH J1B J1H J3B J3H 8DB 8DH)	39M5151	*
Power cord - UK, Ireland, Singapore, Malaysia, Brunei (models CTO-G CTO-A D8A DCA E3A E8A F6A F7A G7A 71G 72G 73G 41A 42A H3A H4A 87A 88G 92A 74G 75G 52A 55A 76G 77G 78G)	39M5150	*
Power cord - Taiwan (models D7V E2V G5V 85V DFV)	39M5246	*
Power cord - Italy (models CTO-G A1S A1L A1Y B1S B1L B1Y 21S 21L 21Y 22S 22L 22Y D1S D1L D1Y D2S D2L D2Y EBS EBL EBY ECS ECL ECY EDS EDL EDY F2S F2L F2Y F3S F3L F3Y F4S F4L F4Y G1S G1L G1Y G2S G2L G2Y 71G 72G 73G 41S 41L 41Y 45S 45L 45Y 46S 46L 46Y 47S 47L 47Y 81S 81L 81Y 82S 82L 82Y 88G 74G 75G B2S B2Y B3S B3Y 24Y 27Y 29S 29Y 51S 51Y 52Y 53S 53Y 54S 54Y 55Y 56S 56Y G8S G8Y G9S G9Y J2S J2Y J3S J3Y 76G 77G 78G 8CS 8CY 8DS 8DY 8ES 8EY)	39M5164	*
Power cord - G models (models CTO-G D8A DCA E3A E8A F6A F7A G7A 71G 72G 73G 41A 42A H3A H4A 87A 88G 92A 74G 75G 52A 55A 76G 77G 78G)	39M5122	*
Power cord - Denmark (models CTO-G 71G 72G 73G 88G 74G 75G 76G 77G 78G)	39M5129	*
Power cord - Switzerland (models CTO-G 71G 72G 73G 88G 74G 75G 76G 77G 78G)	39M5157	*
Power cord - Israel (models CTO-G 71G 72G 73G 88G 74G 75G 76G 77G 78G)	39M5171	*
Power cord - South Africa (models CTO-G D8A DCA E3A E8A F6A F7A G7A 71G 72G 73G 41A 42A H3A H4A 87A 88G 92A 74G 75G 52A 55A 76G 77G 78G)	39M5143	*
Power cord - India (models CTO-A D8Q D9Q DCQ E3Q E7Q E8Q F6Q F7Q G7Q 41Q 42Q H3Q H4Q 87Q 92Q A1Q 28Q 61Q G6Q)	39M5004	*

8296 Windows XP Home Recovery CDs	FRU#	CRU
Simplified Chinese (models D6C DDC E1C E5C F5C G3C H2C 83C 91C)	39T9146	*
Korea (models E4K G4K 84K)	39T9194	*



8296 Windows XP Pro Recovery CDs	FRU#	CRU
US/UK/AP/TH (models A1L B1L B2H 21L 22L D1L D2L D3U D4U D8A D8Q D8T D8H D9Q DAR DBR DCA DCQ DCT E3A E3Q E3T E6U E7Q E8A E8Q E9R EAU EBL ECL EDL F1U F2L F3L F4L F6A F6Q F6T F7A F7Q F7T G1L G2L G6H G7A G7Q G7T 71G 72G 73G 41L 41A 41Q 41T 42A 42Q 42T 45L 46L 47L 48U 4AU H1R H3A H3Q H3T H4A H4Q H4T 81L 82L 86H 87A 87Q 87T 88G 92A 92Q 92T 93H 74G A1Q 28Q 61Q 62H G6Q 29H 52A 53H 55A 56H DEH J1H J3H 76G 77G 78G 8DH)	41T1809	*
RE (models 71G 72G 73G 88G 74G 76G 77G 78G)	41T4985	*
FR/CF (models D3F D4F E6F EAF F1F 71G 72G 73G 48F 4AF 88G 74G 76G 77G 78G)	41T4134	*
GR (models 71G 72G 73G 88G 74G 76G 77G 78G)	41T4135	*
SP/LA (models 71G 72G 73G 88G 74G 76G 77G 78G B2S B2Y B3S B3Y 24Y 27Y 29S 29Y 51S 51Y 52Y 53S 53Y 54S 54Y 55Y 56S 56Y G8S G8Y G9S G9Y J2S J2Y J3S J3Y 8CS 8CY 8DS 8DY 8ES 8EY)	41T4136	*
IT (models 71G 72G 73G 88G 74G 76G 77G 78G)	41T4137	*
BR (models G2P 82P)	41T4138	*
SV (models 71G 72G 73G 88G 74G 76G 77G 78G)	41T4139	*
DK (models 71G 72G 73G 88G 74G 76G 77G 78G)	41T4991	*
FI (models 71G 72G 73G 88G 74G 76G 77G 78G)	41T4997	*
NO (models 71G 72G 73G 88G 74G 76G 77G 78G)	41T5003	*
NL (models 71G 72G 73G 88G 74G 76G 77G 78G)	41T5009	*
HE (models 71G 72G 73G 88G 74G 76G 77G 78G)	41T5015	*
PL (models 71G 72G 73G 88G 74G 76G 77G 78G)	41T5021	*
CZ (models 71G 72G 73G 88G 74G 76G 77G 78G)	41T5027	*
AE (models 71G 72G 73G 88G 74G 76G 77G 78G)	41T5033	*
RU (models 71G 72G 73G 88G 74G 76G 77G 78G)	41T5039	*
TR (models 71G 72G 73G 88G 74G 76G 77G 78G)	41T5045	*
HU (models 71G 72G 73G 88G 74G 76G 77G 78G)	41T5051	*
PO (models 71G 72G 73G 88G 74G 76G 77G 78G)	41T5057	*
GK (models 71G 72G 73G 88G 74G 76G 77G 78G)	41T5063	*
SL (models 71G 72G 73G 88G 74G 76G 77G 78G)	41T5069	*
Simplified Chinese (models 29C 53C 56C DEC J1C J3C 8DC)	39T9138	*
Taiwan-TC (models E2V G5V 85V DFV)	39T9154	*
Hong Kong-TC (models B2B D8B G6B 86B 93B 62B 29B 53B 56B DEB J1B J3B 8DB)	39T9170	*
Korea (models DAK DBK E9K 43K 44K H1K J4K)	39T9186	*
Multilingual 1 (models 71G 72G 73G 88G 74G 76G 77G 78G)	41T4206	*
Multilingual 2 (models 71G 72G 73G 88G 74G 76G 77G 78G)	41T5159	*

## Machine Type 8297



Item #	8297 FRUs	FRU#	CRU
1	Intel-Circular Radial Fin Fansink for 84W CPUs (all models)	41D3552	**
2	Microprocessor 2.53GHZ Celeron Prescott P4 (533 FSB, 256KB) (models CTO)	41T1693	**
2	Microprocessor 2.66GHZ Celeron Prescott P4 (533 FSB, 256KB) (models CTO A1S A1P A1L A1Y A2S A2P A2L A2Y A6S A6P A6L A6Y)	41T1694	**
2	Microprocessor 2.8GHZ Celeron Prescott P4 (533 FSB, 256KB) (models CTO A3V A4S A4P A4L A4Y A5S A5P A5L A5Y 71G A4Q)	41T1695	**
2	Microprocessor 2.93GHZ Celeron Prescott P4 (533 FSB, 256KB) (models CTO B1V B2S B2P B2L B2Y B3S B3P B3L B3Y 75G)	41T1696	**
2	Microprocessor 3.06GHZ Celeron Prescott P4 (533 FSB, 256KB) (models CTO B4V B5B B5H 78G B5S B5P B5Y B6S B6P B6Y)	41T1697	**
2	Microprocessor 3.20GHZ Celeron Prescott P4 (533 FSB, 256KB) (models CTO)	41T1698	**
2	Microprocessor 2.66GHZ Prescott P4 (533 FSB, 1MB) (models CTO 28Q)	41T1706	**
2	Microprocessor 2.93GHZ Prescott P4 (533 FSB, 1MB) (models CTO 21S 21P 21L 21Y 21A 21Q 21T 21C)	41T1707	**
2	Microprocessor 3.06GHZ Prescott P4 (533 FSB, 1MB) (models CTO 22S 22P 22L 22Y)	41T1708	**
2	Microprocessor 2.8GHZ Prescott P4 (800 FSB, 1MB) (models CTO 41S 41P 41L 41Y 41A 41Q 41T 41C 42A 42Q 42T 43K 44K 45S 45P 45L 45Y 46S 46P 46L 46Y 47S 47P 47L 47Y 48S 48P 48L 48Y)	41T1700	**
2	Microprocessor, Pentium 4 3.06GHZ 533MHz FSB 1MB L2 (models CTO 49S 49P 49Y 4AS 4AP 4AY 4BS 4BP 4BY 4BA 4BT 4BC 4BB 4BH)	41T4104	**
2	Microprocessor 3.0GHZ Prescott P4 (800 FSB, 1MB) (models CTO 51S 51P 51Y 52S 52P 52Y 53S 53P 53Y 53C 53B 53H)	41T1701	**

Item #	8297 FRUs	FRU#	CRU
2	Microprocessor 3.2GHZ Prescott P4 (800 FSB, 1MB) (models CTO 81S 81P 81Y 82S 82P 82Y 83S 83P 83Y 83C 83B 83H)	41T1702	**
2	Microprocessor 3.4GHZ Prescott P4 (800 FSB, 1MB) (models CTO)	41T1703	**
2	Microprocessor 2.8GHZ Prescott P4 (800 FSB, 2MB) (models CTO 76G 61Q 62B 62H)	41X2412	**
2	Microprocessor 3.0GHZ Prescott P4 (800 FSB, 2MB) (models CTO D1A D1Q D1T D2A D2Q D2T D3K D3R D4K D4R D5S D5P D5L D5Y D6S D6P D6L D6Y 72G)	41T1709	**
2	Microprocessor 3.0GHZ Cedar Mill P4 (800 FSB, 2MB) (models CTO DBC DBB DBH)	41T1712	**
2	Microprocessor 3.2GHZ Prescott P4 (800 FSB, 2MB) (models CTO E1K E2A E2Q E2T E3A E3Q E3T E4K E4R E5K E5R E6S E6P E6L E6Y E7S E7P E7L E7Y E8S E8P E8L E8Y 73G)	41T1710	**
2	Microprocessor 3.2GHZ Cedar Mill P4 (800 FSB, 2MB) (models CTO)	41T1713	**
2	Microprocessor 3.4GHZ Prescott P4 (800 FSB, 2MB) (models CTO F1S F1P F1L F1Y F2S F2P F2L F2Y F3S F3P F3L F3Y 74G)	41T1711	**
2	Microprocessor 3.4GHZ Cedar Mill P4 (800 FSB, 2MB) (models CTO)	41T1714	**
2	Microprocessor 3.6GHZ Cedar Mill P4 (800 FSB, 2MB) (models CTO H1K H1R)	41T1715	**
2	Microprocessor 2.8GHZ Smithfield P4 (800 FSB, 2x1MB) (models CTO G1Q G2U G2A G2T G2S G2P G2Y G3S G3P G3Y 79G 7AG 7BG)	41T1704	**
2	Microprocessor 2.8GHZ Presler P4 (800 FSB, 2x2MB) (models CTO)	41T1716	**
2	Microprocessor, Pentium D, 3.0 GHz, 800MHz FSB, 2MBx2 L2 (models CTO J4S J4P J4Y J5S J5P J5Y J5C J5B J5H J6S J6P J6Y)	TBD	**
2	Microprocessor 3.0GHZ Presler P4 (800 FSB, 2x2MB) (models CTO)	41D5052	**
2	Microprocessor, Pentium D Processor 3.2 GHz 800MHz FSB 2Mx2 L2 C1-Value (models CTO 31C 31B 31H)	41X4230	**
2	Microprocessor, Pentium D Processor 3.2 GHz 800MHz FSB 2Mx2 L2 C1-Value (models CTO 32S 32P 32Y 33S 33P 33Y 33C 33B 33H 34S 34P 34Y 35K)	TBD	**
3	Memory module, 256MB DDR2 SDRAM NP Memory PC 4200) (models 49S 49P 49Y 51S 51P 51Y 81S 81P 81Y CTO A1S A1P A1L A1Y A2S A2P A2L A2Y A3V A4S A4P A4L A4Y A5S A5P A5L A5Y B1V B2S B2P B2L B2Y B3S B3P B3L B3Y B4V B5B B5H 21S 21P 21L 21Y 21A 21Q 21T 21C 22S 22P 22L 22Y D1A D1Q D1T D2A D2Q D2T D5S D5P D5L D5Y D6S D6P D6L D6Y E2A E2Q E2T E3A E3Q E3T E6S E6P E6L E6Y E7S E7P E7L E7Y E8S E8P E8L E8Y F1S F1P F1L F1Y F2S F2P F2L F2Y F3S F3P F3L F3Y 71G A6S A6P A6L A6Y 41S 41P 41L 41Y 41A 41Q 41T 41C 45S 45P 45L 45Y 46S 46P 46L 46Y 47S 47P 47L 47Y 48S 48P 48L 48Y 75G 78G A4Q 28Q 61Q 62B 62H G1Q B5S B5P B5Y)	30R5120	*
3	Memory module, 512MB DDR2 SDRAM NP Memory PC 4200) (models CTO D3K D3R D4K D4R E1K E4K E4R E5K E5R 72G 73G 74G 42A 42Q 42T 43K 44K H1K H1R 76G 77G G2U G2A G2T B6S B6P B6Y 4AS 4AP 4AY 4BS 4BP 4BY 4BA 4BT 4BC 4BB 4BH 52S 52P 52Y 53S 53P 53Y 53C 53B 53H 82S 82P 82Y 83S 83P 83Y 83C 83B 83H DBC DBB DBH G2S G2P G2Y G3S G3P G3Y 31C 31B 31H 32S 32P 32Y 33S 33P 33Y 33C 33B 33H 79G 7AG 7BG J4S J4P J4Y J5S J5P J5Y J5C J5B J5H)	30R5121	*
3	Memory module, 1GB DDR2 SDRAM NP Memory PC 4200) (models CTO 34S 34P 34Y 35K J6S J6P J6Y)	30R5122	*
3	Memory module, 2GB DDR2 SDRAM NP Memory PC 4200) (models CTO)	30R5123	*
3	Memory module, 256MB DDR2 SDRAM NP Memory PC 5300) (models CTO)	30R5124	*
3	Memory module, 512MB DDR2 SDRAM NP Memory PC 5300) (models CTO)	30R5125	*
3	Memory module, 1GB DDR2 SDRAM NP Memory PC 5300) (models CTO)	30R5126	*

Item #	8297 FRUs	FRU#	CRU
4	CD-ROM drive 48X (models CTO A1S A1P A1L A1Y A4S A4P A4L A4Y B2S B2P B2L B2Y B5B B5H 21S 21P 21L 21Y 21A 21Q 21T 21C 22S 22P 22L 22Y D1A D1Q D1T D3K D3R D5S D5P D5L D5Y E2A E2Q E2T E4K E4R E6S E6P E6L E6Y F1S F1P F1L F1Y 41S 41P 41L 41Y 41A 41Q 41T 41C 43K 44K 45S 45P 45L 45Y H1K H1R A4Q 28Q 61Q 62B 62H G1Q B5S B5P B5Y 49S 49P 49Y 4AS 4AP 4AY 51S 51P 51Y 52S 52P 52Y 81S 81P 81Y 82S 82P 82Y G3S G3P G3Y 32S 32P 32Y J4S J4P J4Y)	40Y8955	*
4	CD-ROM drive 48X (models CTO A1S A1P A1L A1Y A4S A4P A4L A4Y B2S B2P B2L B2Y B5B B5H 21S 21P 21L 21Y 21A 21Q 21T 21C 22S 22P 22L 22Y D1A D1Q D1T D3K D3R D5S D5P D5L D5Y E2A E2Q E2T E4K E4R E6S E6P E6L E6Y F1S F1P F1L F1Y 41S 41P 41L 41Y 41A 41Q 41T 41C 43K 44K 45S 45P 45L 45Y H1K H1R A4Q 28Q 61Q 62B 62H G1Q B5S B5P B5Y 49S 49P 49Y 4AS 4AP 4AY 51S 51P 51Y 52S 52P 52Y 81S 81P 81Y 82S 82P 82Y G3S G3P G3Y 32S 32P 32Y J4S J4P J4Y)	40Y8929	*
4	CD-ROM drive 48X (models CTO A1S A1P A1L A1Y A4S A4P A4L A4Y B2S B2P B2L B2Y B5B B5H 21S 21P 21L 21Y 21A 21Q 21T 21C 22S 22P 22L 22Y D1A D1Q D1T D3K D3R D5S D5P D5L D5Y E2A E2Q E2T E4K E4R E6S E6P E6L E6Y F1S F1P F1L F1Y 41S 41P 41L 41Y 41A 41Q 41T 41C 43K 44K 45S 45P 45L 45Y H1K H1R A4Q 28Q 61Q 62B 62H G1Q B5S B5P B5Y 49S 49P 49Y 4AS 4AP 4AY 51S 51P 51Y 52S 52P 52Y 81S 81P 81Y 82S 82P 82Y G3S G3P G3Y 32S 32P 32Y J4S J4P J4Y)	40Y8953	*
4	CD-ROM drive 48X (models CTO A1S A1P A1L A1Y A4S A4P A4L A4Y B2S B2P B2L B2Y B5B B5H 21S 21P 21L 21Y 21A 21Q 21T 21C 22S 22P 22L 22Y D1A D1Q D1T D3K D3R D5S D5P D5L D5Y E2A E2Q E2T E4K E4R E6S E6P E6L E6Y F1S F1P F1L F1Y 41S 41P 41L 41Y 41A 41Q 41T 41C 43K 44K 45S 45P 45L 45Y H1K H1R A4Q 28Q 61Q 62B 62H G1Q B5S B5P B5Y 49S 49P 49Y 4AS 4AP 4AY 51S 51P 51Y 52S 52P 52Y 81S 81P 81Y 82S 82P 82Y G3S G3P G3Y 32S 32P 32Y J4S J4P J4Y)	40Y8807	*
4	CD-RW drive (48/32X/48X) (models CTO A2S A2P A2L A2Y A5S A5P A5L A5Y B3S B3P B3L B3Y D2A D2Q D2T D6S D6P D6L D6Y E3A E3Q E3T E7S E7P E7L E7Y E8S E8P E8L E8Y F2S F2P F2L F2Y F3S F3P F3L F3Y 46S 46P 46L 46Y 47S 47P 47L 47Y 48S 48P 48L 48Y A6S A6P A6L A6Y)	40Y8901	*
4	CD-RW drive (48/32X/48X) (models CTO A2S A2P A2L A2Y A5S A5P A5L A5Y B3S B3P B3L B3Y D2A D2Q D2T D6S D6P D6L D6Y E3A E3Q E3T E7S E7P E7L E7Y E8S E8P E8L E8Y F2S F2P F2L F2Y F3S F3P F3L F3Y 46S 46P 46L 46Y 47S 47P 47L 47Y 48S 48P 48L 48Y A6S A6P A6L A6Y)	40Y8937	*
4	DVD-ROM drive (16X/48X) - black (models CTO A3V B1V B4V 71G 72G 75G 76G 77G 78G 79G)	40Y8931	*
4	DVD-ROM drive (16X/48X) - black (models CTO A3V B1V B4V 71G 72G 75G 76G 77G 78G 79G)	40Y8933	*
4	DVD-ROM drive (16X/48X) - black (models CTO A3V B1V B4V 71G 72G 75G 76G 77G 78G 79G)	40Y8935	*
4	DVD-ROM drive (16X/48X) - black (models CTO A3V B1V B4V 71G 72G 75G 76G 77G 78G 79G)	40Y8957	*
4	CD-RW/DVD-ROM Combo drive (48X/32X/48X/16X Max) (models CTO D4K D4R E5K E5R 73G 74G 42A 42Q 42T G2U G2A G2T B6S B6P B6Y 4BS 4BP 4BY 4BA 4BT 4BC 4BB 4BH 53S 53P 53Y 53C 53B 53H 83S 83P 83Y 83C 83B 83H DBC DBB DBH G2S G2P G2Y 31C 31B 31H 33S 33P 33Y 33C 33B 33H 34S 34P 34Y 35K 7AG 7BG J5S J5P J5Y J5C J5B J5H J6S J6P J6Y)	40Y8919	*
4	CD-RW/DVD-ROM Combo drive (48X/32X/48X/16X Max) (models CTO D4K D4R E5K E5R 73G 74G 42A 42Q 42T G2U G2A G2T B6S B6P B6Y 4BS 4BP 4BY 4BA 4BT 4BC 4BB 4BH 53S 53P 53Y 53C 53B 53H 83S 83P 83Y 83C 83B 83H DBC DBB DBH G2S G2P G2Y 31C 31B 31H 33S 33P 33Y 33C 33B 33H 34S 34P 34Y 35K 7AG 7BG J5S J5P J5Y J5C J5B J5H J6S J6P J6Y)	40Y8941	*
4	Multiburner Plus (models CTO E1K)	40Y8909	*

Item #	8297 FRUs	FRU#	CRU
5	Diskette drive, 3,5", 1.44MB, 3Mode,(wo/bezel) (models 81S 81P 81Y 82S 82P 82Y 83S 83P 83Y 83C 83B 83H DBC DBB DBH G2S G2P G2Y G3S G3P G3Y 31C 31B 31H 32S 32P 32Y 33S 33P 33Y 33C 33B 33H 34S 34P 34Y J4S J4P J4Y J5S J5P J5Y J5C J5B J5H J6S J6P J6Y CTO A1S A1P A1L A1Y A3V A4S A4P A4L A4Y B1V B2S B2P B2L B2Y B4V B5B B5H 21S 21P 21L 21Y 21A 21Q 21T 21C 22S 22P 22L 22Y D1A D1Q D1T D2A D2Q D2T D3K D3R D4K D4R D5S D5P D5L D5Y E2A E2Q E2T E3A E3Q E3T E4K E4R E5K E5R E6S E6P E6L E6Y F1S F1P F1L F1Y 71G 41S 41P 41L 41Y 41A 41Q 41T 41C 42A 42Q 42T 45S 45P 45L 45Y H1K H1R 75G 78G A4Q 28Q 61Q G1Q G2U G2A G2T B5S B5P B5Y 49S 49P 49Y 4AS 4AP 4AY 4BS 4BP 4BY 4BA 4BT 4BC 4BB 4BH 51S 51P 51Y 52S 52P 52Y 53S 53P 53Y 53C 53B 53H)	40Y9107	*
5	Diskette drive, 3,5", 1.44MB, 3Mode,(wo/bezel) (models 81S 81P 81Y 82S 82P 82Y 83S 83P 83Y 83C 83B 83H DBC DBB DBH G2S G2P G2Y G3S G3P G3Y 31C 31B 31H 32S 32P 32Y 33S 33P 33Y 33C 33B 33H 34S 34P 34Y J4S J4P J4Y J5S J5P J5Y J5C J5B J5H J6S J6P J6Y CTO A1S A1P A1L A1Y A3V A4S A4P A4L A4Y B1V B2S B2P B2L B2Y B4V B5B B5H 21S 21P 21L 21Y 21A 21Q 21T 21C 22S 22P 22L 22Y D1A D1Q D1T D2A D2Q D2T D3K D3R D4K D4R D5S D5P D5L D5Y E2A E2Q E2T E3A E3Q E3T E4K E4R E5K E5R E6S E6P E6L E6Y F1S F1P F1L F1Y 71G 41S 41P 41L 41Y 41A 41Q 41T 41C 42A 42Q 42T 45S 45P 45L 45Y H1K H1R 75G 78G A4Q 28Q 61Q G1Q G2U G2A G2T B5S B5P B5Y 49S 49P 49Y 4AS 4AP 4AY 4BS 4BP 4BY 4BA 4BT 4BC 4BB 4BH 51S 51P 51Y 52S 52P 52Y 53S 53P 53Y 53C 53B 53H)	40Y9105	*
5	Diskette drive, 3,5", 1.44MB, 3Mode,(wo/bezel) (models 81S 81P 81Y 82S 82P 82Y 83S 83P 83Y 83C 83B 83H DBC DBB DBH G2S G2P G2Y G3S G3P G3Y 31C 31B 31H 32S 32P 32Y 33S 33P 33Y 33C 33B 33H 34S 34P 34Y J4S J4P J4Y J5S J5P J5Y J5C J5B J5H J6S J6P J6Y CTO A1S A1P A1L A1Y A3V A4S A4P A4L A4Y B1V B2S B2P B2L B2Y B4V B5B B5H 21S 21P 21L 21Y 21A 21Q 21T 21C 22S 22P 22L 22Y D1A D1Q D1T D2A D2Q D2T D3K D3R D4K D4R D5S D5P D5L D5Y E2A E2Q E2T E3A E3Q E3T E4K E4R E5K E5R E6S E6P E6L E6Y F1S F1P F1L F1Y 71G 41S 41P 41L 41Y 41A 41Q 41T 41C 42A 42Q 42T 45S 45P 45L 45Y H1K H1R 75G 78G A4Q 28Q 61Q G1Q G2U G2A G2T B5S B5P B5Y 49S 49P 49Y 4AS 4AP 4AY 4BS 4BP 4BY 4BA 4BT 4BC 4BB 4BH 51S 51P 51Y 52S 52P 52Y 53S 53P 53Y 53C 53B 53H)	40Y9113	*
6	Bezel assembly (all models)	41A7185	**
7	Power switch/LED assembly (RoHs) (all models)	41N5284	**
8	Speaker assembly, Soldered terminals ( all models)	39P5023	**
9	Front audio/USB assembly (all models)	41A7187	**
10	Hard disk drive, 40GB (7200RPM), Serial ATA (models CTO)	40Y9033	*
10	Hard disk drive, 40GB (7200RPM), Serial ATA (models CTO)	40Y8760	*
10	Hard disk drive, 80GB (7200RPM), Serial ATA (models B5S B5P B5Y B6S B6P B6Y 49S 49P 49Y 4AS 4AP 4AY 4BS 4BP 4BY 4BA 4BT 4BC 4BB 4BH 51S 51P 51Y 52S 52P 52Y 53S 53P 53Y 53C 53B 53H 81S 81P 81Y 82S 82P 82Y 83S 83P 83Y 83C 83B 83H DBC DBB DBH G2S G2P G2Y G3S G3P G3Y 31C 31B 31H 32S 32P 32Y 33S 33P 33Y 33C 33B 33H 34S 34P 34Y 35K 79G 7AG J4S J4P J4Y J5S J5P J5Y J5C J5B J5H J6S J6P J6Y CTO A1S A1P A1L A1Y A2S A2P A2L A2Y A3V A4S A4P A4L A4Y A5S A5P A5L A5Y B1V B2S B2P B2L B2Y B3S B3P B3L B3Y B4V B5B B5H 21S 21P 21L 21Y 21A 21Q 21T 21C 22S 22P 22L 22Y D1A D1Q D1T D2A D2Q D2T D3K D3R D5S D5P D5L D5Y D6S D6P D6L D6Y E2A E2Q E2T E3A E3Q E3T E4K E4R E6S E6P E6L E6Y E7S E7P E7L E7Y F1S F1P F1L F1Y 71G 72G 73G 74G A6S A6P A6L A6Y 41S 41P 41L 41Y 41A 41Q 41T 41C 42A 42Q 42T 44K 45S 45P 45L 45Y 46S 46P 46L 46Y 47S 47P 47L 47Y 48S 48P 48L 48Y 75G 76G 77G 78G A4Q 28Q 61Q 62B 62H G1Q G2U G2A G2T)	40Y9034	*

Item #	8297 FRUs	FRU#	CRU
10	Hard disk drive, 80GB (7200RPM), Serial ATA (models B5S B5P B5Y B6S B6P B6Y 49S 49P 49Y 4AS 4AP 4AY 4BS 4BP 4BY 4BA 4BT 4BC 4BB 4BH 51S 51P 51Y 52S 52P 52Y 53S 53P 53Y 53C 53B 53H 81S 81P 81Y 82S 82P 82Y 83S 83P 83Y 83C 83B 83H DBC DBB DBH G2S G2P G2Y G3S G3P G3Y 31C 31B 31H 32S 32P 32Y 33S 33P 33Y 33C 33B 33H 34S 34P 34Y 35K 79G 7AG J4S J4P J4Y J5S J5P J5Y J5C J5B J5H J6S J6P J6Y CTO A1S A1P A1L A1Y A2S A2P A2L A2Y A3V A4S A4P A4L A4Y A5S A5P A5L A5Y B1V B2S B2P B2L B2Y B3S B3P B3L B3Y B4V B5B B5H 21S 21P 21L 21Y 21A 21Q 21T 21C 22S 22P 22L 22Y D1A D1Q D1T D2A D2Q D2T D3K D3R D5S D5P D5L D5Y D6S D6P D6L D6Y E2A E2Q E2T E3A E3Q E3T E4K E4R E6S E6P E6L E6Y E7S E7P E7L E7Y F1S F1P F1L F1Y 71G 72G 73G 74G A6S A6P A6L A6Y 41S 41P 41L 41Y 41A 41Q 41T 41C 42A 42Q 42T 44K 45S 45P 45L 45Y 46S 46P 46L 46Y 47S 47P 47L 47Y 48S 48P 48L 48Y 75G 76G 77G 78G A4Q 28Q 61Q 62B 62H G1Q G2U G2A G2T)	40Y8761	*
10	Hard disk drive, 160GB (7200RPM), Serial ATA (models CTO D4K D4R E1K E5K E5R E8S E8P E8L E8Y F2S F2P F2L F2Y 43K H1K H1R 7BG)	40Y8762	*
10	Hard disk drive, 160GB (7200RPM), Serial ATA (models CTO D4K D4R E1K E5K E5R E8S E8P E8L E8Y F2S F2P F2L F2Y 43K H1K H1R 7BG)	40Y9035	*
10	Hard disk drive, 250GB (7200RPM), Serial ATA (models CTO F3S F3P F3L F3Y)	40Y8763	*
10	Hard disk drive, 250GB (7200RPM), Serial ATA (models CTO F3S F3P F3L F3Y)	40Y9036	*
11	System board, 945GZ (models J4S J4P J4Y J5S J5P J5Y J5C J5B J5H J6S J6P J6Y A6S A6P A6L A6Y 41S 41P 41L 41Y 41A 41Q 41T 41C 42A 42Q 42T 43K 44K 45S 45P 45L 45Y 46S 46P 46L 46Y 47S 47P 47L 47Y 48S 48P 48L 48Y H1K H1R 75G 76G 77G 78G A4Q 28Q 61Q 62B 62H G1Q G2U G2A G2T B5S B5P B5Y B6S B6P B6Y 49S 49P 49Y 4AS 4AP 4AY 4BS 4BP 4BY 4BA 4BT 4BC 4BB 4BH 51S 51P 51Y 52S 52P 52Y 53S 53P 53Y 53C 53B 53H 81S 81P 81Y 82S 82P 82Y 83S 83P 83Y 83C 83B 83H DBC DBB DBH G2S G2P G2Y G3S G3P G3Y 31C 31B 31H 32S 32P 32Y 33S 33P 33Y 33C 33B 33H 34S 34P 34Y 35K 79G 7AG 7BG CTO A1S A1P A1L A1Y A2S A2P A2L A2Y A3V A4S A4P A4L A4Y A5S A5P A5L A5Y B1V B2S B2P B2L B2Y B3S B3P B3L B3Y B4V B5B B5H 21S 21P 21L 21Y 21A 21Q 21T 21C 22S 22P 22L 22Y D1A D1Q D1T D2A D2Q D2T D3K D3R D4K D4R D5S D5P D5L D5Y D6S D6P D6L D6Y E1K E2A E2Q E2T E3A E3Q E3T E4K E4R E5K E5R E6S E6P E6L E6Y E7S E7P E7L E7Y E8S E8P E8L E8Y F1S F1P F1L F1Y F2S F2P F2L F2Y F3S F3P F3L F3Y 71G 72G 73G 74G)	41D2471	**
11	System board, 945GZ (models J4S J4P J4Y J5S J5P J5Y J5C J5B J5H J6S J6P J6Y A6S A6P A6L A6Y 41S 41P 41L 41Y 41A 41Q 41T 41C 42A 42Q 42T 43K 44K 45S 45P 45L 45Y 46S 46P 46L 46Y 47S 47P 47L 47Y 48S 48P 48L 48Y H1K H1R 75G 76G 77G 78G A4Q 28Q 61Q 62B 62H G1Q G2U G2A G2T B5S B5P B5Y B6S B6P B6Y 49S 49P 49Y 4AS 4AP 4AY 4BS 4BP 4BY 4BA 4BT 4BC 4BB 4BH 51S 51P 51Y 52S 52P 52Y 53S 53P 53Y 53C 53B 53H 81S 81P 81Y 82S 82P 82Y 83S 83P 83Y 83C 83B 83H DBC DBB DBH G2S G2P G2Y G3S G3P G3Y 31C 31B 31H 32S 32P 32Y 33S 33P 33Y 33C 33B 33H 34S 34P 34Y 35K 79G 7AG 7BG CTO A1S A1P A1L A1Y A2S A2P A2L A2Y A3V A4S A4P A4L A4Y A5S A5P A5L A5Y B1V B2S B2P B2L B2Y B3S B3P B3L B3Y B4V B5B B5H 21S 21P 21L 21Y 21A 21Q 21T 21C 22S 22P 22L 22Y D1A D1Q D1T D2A D2Q D2T D3K D3R D4K D4R D5S D5P D5L D5Y D6S D6P D6L D6Y E1K E2A E2Q E2T E3A E3Q E3T E4K E4R E5K E5R E6S E6P E6L E6Y E7S E7P E7L E7Y E8S E8P E8L E8Y F1S F1P F1L F1Y F2S F2P F2L F2Y F3S F3P F3L F3Y 71G 72G 73G 74G)	41X2050	**
12	System fan (models)	TBD	**
13	Power supply (230W) (models CTO 21A 21T D1A D1T D2A D2T D3K D3R D4K D4R E1K E2A E2T E3A E3T E4K E4R E5K E5R 71G 72G 73G 74G 41A 41T 42A 42T 43K 44K H1K H1R 75G 76G 77G 78G G2U G2A G2T 4BA 4BT 35K 79G 7AG 7BG)	41N3094	**

Item #	8297 FRUs	FRU#	CRU
13	Power supply (230W) (China) (models 49S 49P 49Y 4AS 4AP 4AY 4BS 4BP 4BY 4BC 4BB 4BH 51S 51P 51Y 52S 52P 52Y 53S 53P 53Y 53C 53B 53H 81S 81P 81Y 82S 82P 82Y 83S 83P 83Y 83C 83B 83H DBC DBB DBH G2S G2P G2Y G3S G3P G3Y 31C 31B 31H 32S 32P 32Y 33S 33P 33Y 33C 33B 33H 34S 34P 34Y J4S J4P J4Y J5S J5P J5Y J5C J5B J5H J6S J6P J6Y CTO-A CTO-L A1S A1P A1L A1Y A2S A2P A2L A2Y A3V A4S A4P A4L A4Y A5S A5P A5L A5Y B1V B2S B2P B2L B2Y B3S B3P B3L B3Y B4V B5B B5H 21S 21P 21L 21Y 21Q 21C 22S 22P 22L 22Y D1Q D2Q D5S D5P D5L D5Y D6S D6P D6L D6Y E2Q E3Q E6S E6P E6L E6Y E7S E7P E7L E7Y E8S E8P E8L E8Y F1S F1P F1L F1Y F2S F2P F2L F2Y F3S F3P F3L F3Y A6S A6P A6L A6Y 41S 41P 41L 41Y 41Q 41C 42Q 45S 45P 45L 45Y 46S 46P 46L 46Y 47S 47P 47L 47Y 48S 48P 48L 48Y A4Q 28Q 61Q 62B 62H G1Q B5S B5P B5Y B6S B6P B6Y)	24R2592	**

The FRUs listed in the following table are not illustrated.

8297 FRUs	FRU#	CRU
Shield, 5.25 EMC (all models)	41A7178	**
Cable, SATA (18" RoHs) (all models)	26K1186	**
Cable, Serial (all models)	39K5021	**
Diskette drive EMC Shield (all models)	41A7180	**
Cable, Diskette drive (RoHs) (all models)	41A7182	**
Cover, left side (all models)	41A7183	*
Chassis assembly (all models)	41A7184	N
I/O Shield - Tamdhu Park (all models)	41A7189	N
Kit, Misc. Hardware (all models)	41A7188	**
Retention Module Kit, (RoHs) (all models)	41A7139	N
2 Drop IDE (all models)	41A7190	**
Bezel, 5.25" blank (all models)	41N8077	*
Universal Adapter Bracket 5.25 to 3.5-inch (all models)	32P4743	*
Battery, 3.0V (all models)	33F8354	*

8297 Keyboard (Preferred Pro, Fullsize, Stealth black)	FRU#	CRU
US English (models CTO-U CTO-G A1L A2L A4L A5L B2L B3L B5H 21L 21A 21Q 21C 22L D1A D1Q D2A D2Q D3R D4R D5L D6L E2A E2Q E3A E3Q E4R E5R E6L E7L E8L F1L F2L F3L 71G 72G 73G 74G A6L 41L 41A 41Q 41C 42A 42Q 45L 46L 47L 48L H1R 75G 76G 77G 78G A4Q 28Q 61Q 62H G1Q G2U G2A 4BA 4BC 4BH 53C 53H 83C 83H DBC DBH 31C 31H 33C 33H 79G 7AG 7BG J5C J5H)	89P8300	*
Arabic (models CTO-G 71G 72G 73G 74G 75G 76G 77G 78G 79G 7AG 7BG)	89P8301	*
Belgian/French (models CTO-G 71G 72G 73G 74G 75G 76G 77G 78G 79G 7AG 7BG)	89P8302	*
Belgian/UK (models CTO-G 71G 72G 73G 74G 75G 76G 77G 78G 79G 7AG 7BG)	89P8303	*
Brazil/Portugese (models CTO-L A1P A2P A4P A5P B2P B3P 21P 22P D5P D6P E6P E7P E8P F1P F2P F3P A6P 41P 45P 46P 47P 48P B5P B6P 49P 4AP 4BP 51P 52P 53P 81P 82P 83P G2P G3P 32P 33P 34P J4P J5P J6P)	89P8304	*
Bulgarian (models CTO-G 71G 72G 73G 74G 75G 76G 77G 78G 79G 7AG 7BG)	89P8305	*
Chinese/US (models A3V B1V B4V B5B 62B 4BB 53B 83B DBB 31B 33B J5B)	89P8306	*
Czech (models CTO-G 71G 72G 73G 74G 75G 76G 77G 78G 79G 7AG 7BG)	89P8307	*
Danish (models CTO-G 71G 72G 73G 74G 75G 76G 77G 78G 79G 7AG 7BG)	89P8308	*

8297 Keyboard (Preferred Pro, Fullsize, Stealth black)	FRU#	CRU
Dutch (models CTO-G 71G 72G 73G 74G 75G 76G 77G 78G 79G 7AG 7BG)	89P8309	*
French (models CTO-G 71G 72G 73G 74G 75G 76G 77G 78G 79G 7AG 7BG)	89P8310	*
French Canadian 445 (models CTO-U)	89P8311	*
French Canadian 58 (models CTO-U)	89P8312	*
German (models CTO-G 71G 72G 73G 74G 75G 76G 77G 78G 79G 7AG 7BG)	89P8313	*
Greek (models CTO-G 71G 72G 73G 74G 75G 76G 77G 78G 79G 7AG 7BG)	89P8314	*
Hebrew (models CTO-G 71G 72G 73G 74G 75G 76G 77G 78G 79G 7AG 7BG)	89P8315	*
Hungarian (models CTO-G 71G 72G 73G 74G 75G 76G 77G 78G 79G 7AG 7BG)	89P8316	*
Iceland (models CTO-G 71G 72G 73G 74G 75G 76G 77G 78G 79G 7AG 7BG)	89P8317	*
Italian 141 (models CTO-G 71G 72G 73G 74G 75G 76G 77G 78G 79G 7AG 7BG)	89P8318	*
Italian 142 (models CTO-G 71G 72G 73G 74G 75G 76G 77G 78G 79G 7AG 7BG)	89P8319	*
Korean (models D3K D4K E1K E4K E5K 43K 44K H1K 35K)	89P8321	*
LA Spanish (models CTO-L A1S A1Y A2S A2Y A4S A4Y A5S A5Y B2S B2Y B3S B3Y 21S 21Y 22S 22Y D5S D5Y D6S D6Y E6S E6Y E7S E7Y E8S E8Y F1S F1Y F2S F2Y F3S F3Y A6S A6Y 41S 41Y 45S 45Y 46S 46Y 47S 47Y 48S 48Y B5S B5Y B6S B6Y 49S 49Y 4AS 4AY 4BS 4BY 51S 51Y 52S 52Y 53S 53Y 81S 81Y 82S 82Y 83S 83Y G2S G2Y G3S G3Y 32S 32Y 33S 33Y 34S 34Y J4S J4Y J5S J5Y J6S J6Y)	89P8322	*
Norwegian (models CTO-G 71G 72G 73G 74G 75G 76G 77G 78G 79G 7AG 7BG)	89P8323	*
Polish (models CTO-G 71G 72G 73G 74G 75G 76G 77G 78G 79G 7AG 7BG)	89P8324	*
Portuguese (models CTO-G 71G 72G 73G 74G 75G 76G 77G 78G 79G 7AG 7BG)	89P8325	*
Romanian (models CTO-G 71G 72G 73G 74G 75G 76G 77G 78G 79G 7AG 7BG)	89P8326	*
Russian/Cyrillic (models CTO-G 71G 72G 73G 74G 75G 76G 77G 78G 79G 7AG 7BG)	89P8328	*
Serbian/Cyrillic (models CTO-G 71G 72G 73G 74G 75G 76G 77G 78G 79G 7AG 7BG)	89P8329	*
Slovak (models CTO-G 71G 72G 73G 74G 75G 76G 77G 78G 79G 7AG 7BG)	89P8330	*
Spanish (models CTO-G 71G 72G 73G 74G 75G 76G 77G 78G 79G 7AG 7BG)	89P8331	*
Swedish/Finn (models CTO-G 71G 72G 73G 74G 75G 76G 77G 78G 79G 7AG 7BG)	89P8332	*
Swiss F/G (models CTO-G 71G 72G 73G 74G 75G 76G 77G 78G 79G 7AG 7BG)	89P8333	*
Thailand (models CTO-A 21T D1T D2T E2T E3T 41T 42T G2T 4BT)	89P8334	*
Turkish 440 (models CTO-G 71G 72G 73G 74G 75G 76G 77G 78G 79G 7AG 7BG)	89P8335	*
Turkish 179 (models CTO-G 71G 72G 73G 74G 75G 76G 77G 78G 79G 7AG 7BG)	89P8336	*
UK English (models CTO-G 71G 72G 73G 74G 75G 76G 77G 78G 79G 7AG 7BG)	89P8337	*
US Euro (models CTO-G 71G 72G 73G 74G 75G 76G 77G 78G 79G 7AG 7BG)	89P8338	*
Yugoslav/Latin (models CTO-G 71G 72G 73G 74G 75G 76G 77G 78G 79G 7AG 7BG)	89P8339	*

8297 Keyboards (with fingerprint reader)	FRU#	CRU
US English (models CTO-U CTO-G)	89P9000	*
Arabic (models CTO-G)	89P9001	*
Arabic/French (models CTO-G)	89P9002	*
Belgian/French (models CTO-G)	89P9003	*
Belgian/UK (models CTO-G)	89P9004	*
Brazilian Portuguese (models CTO-L)	89P9005	*
Bulgarian (models CTO-G)	89P9006	*



<b>8297 Keyboards (with fingerprint reader)</b>	<b>FRU#</b>	<b>CRU</b>
Czech (models CTO-G)	89P9008	*
Danish (models CTO-G)	89P9009	*
Dutch (models CTO-G)	89P9010	*
French (models CTO-G)	89P9011	*
French Canadian 445 (models CTO-U)	89P9012	*
French Canadian 58 (models CTO-U)	89P9013	*
German (models CTO-G)	89P9014	*
Greek (models CTO-G)	89P9015	*
Hebrew (models CTO-G)	89P9016	*
Hungarian (models CTO-G)	89P9017	*
Iceland (models CTO-G)	89P9018	*
Italian 141 (models CTO-G)	89P9019	*
LA Spanish (models CTO-L)	89P9022	*
Norwegian (models CTO-G)	89P9023	*
Polish (models CTO-G)	89P9024	*
Portuguese (models CTO-G)	89P9025	*
Romanian (models CTO-G)	89P9026	*
Romanian (models CTO-G)	89P9027	*
Russian/Cyrillic (models CTO-G)	89P9028	*
Serbian/Cyrillic (models CTO-G)	89P9029	*
Slovak (models CTO-G)	89P9030	*
Spanish (models CTO-G)	89P9031	*
Swedish/Finn (models CTO-G)	89P9032	*
Swiss F/G (models CTO-G)	89P9033	*
Thailand (models CTO-A)	89P9034	*
Turkish 440 (models CTO-G)	89P9035	*
Turkish 179 (models CTO-G)	89P9036	*
UK English (models CTO-G)	89P9037	*
US Euro (models CTO-G)	89P9038	*
Yugoslav/Latin (models CTO-G)	89P9039	*

<b>8297 mice</b>	<b>FRU#</b>	<b>CRU</b>
Mouse, Scrollpoint Optical, USB (models CTO)	41A4933	*
Mouse, Optical Wheelmouse, USB (all models)	41A4935	*
Mouse, PS2 Wheelmouse, black (models CTO)	41A4917	*

<b>8297 Adapters and miscellaneous FRU</b>	<b>FRU#</b>	<b>CRU</b>
Soft Modem V.90/V.44 (models CTO A6S A6P A6L A6Y 46S 46P 46L 46Y)	29R9729	*
128MB DDR ATI Radeon x300SE (DMS59 connector) (models CTO)	39J9635	*
128MB DDR ATI RADEON X700 PRO VGA, DVI-I, TV-Out PCI-e BTX (models CTO)	39J6203	*
Nvidia GeForce 6200 P262 w/NV44 (models CTO)	39J6213	*

8297 Adapters and miscellaneous FRU	FRU#	CRU
PCI-E DVI-DConnection Adapter (ADD 2-R) (Full Height) (models CTO)	39J9334	*
Speakers, Jazz Infinity Active T1 (Black) (models CTO A6S A6P A6L A6Y 47S 47P 47L 47Y)	89P8589	*
Speaker Power brick - US, Canada, LA (low voltage), Taiwan, Phillipines, Thailand (models CTO-U CTO-L CTO-A A6S A6L A6Y 47S 47L 47Y)	89P8571	*
Speaker Power brick - UK, Hong Kong (British version), ASEAN (models CTO-A)	89P8573	*
Speaker Brick - Europe and LA (high voltage) (models CTO-G CTO-L)	89P8575	*
Speaker Power brick (newer 2 prong) - China, Thailand, Phillipines (models CTO-A)	89P8581	*
Speaker Power brick - ANZ (models CTO-A)	89P8579	*
Speaker Power brick - Brazil (models CTO-L A6P 47P)	89P8583	*
Speaker Power brick - India, South Africa (models CTO-A CTO-G)	89P8585	*
Speaker Power brick - Argentina (models CTO-L A6S A6L A6Y 47S 47L 47Y)	41A4901	*
RJ11 connector adapter (Spain, Ireland) (All "G" models)	60H6043	*
RJ11 connector adapter (Austria) (All "G" models)	60H6045	*
RJ11 connector adapter (Belgium) (All "G" models)	60H6046	*
RJ11 connector adapter (Denmark) (All "G" models)	60H6047	*
RJ11 connector adapter (Norway, Finland) (All "G" models)	60H6048	*
RJ11 connector adapter (France) (All "G" models)	60H6049	*
RJ11 connector adapter (Germany) (All "G" models)	60H6050	*
RJ11 connector adapter (UK, NZ, HK) (All "G", "M", "B", "H" models)	60H6051	*
RJ11 connector adapter (Italy) (All "G" models)	60H6052	*
RJ11 connector adapter (Netherlands) (All "G" models)	60H6053	*
RJ11 connector adapter (Sweden) (All "G" models)	60H6054	*
RJ11 connector adapter (Switzerland) (All "G" models)	60H6055	*

8297 Power Cords	FRU#	CRU
Power cord - US (models CTO-U A1S A1L A2S A2L A4S A4L A5S A5L B2S B2L B3S B3L 21S 21L 21A 21T 22S 22L D1A D1T D2A D2T D5S D5L D6S D6L E2A E2T E3A E3T E6S E6L E7S E7L E8S E8L F1S F1L F2S F2L F3S F3L A6S A6L 41S 41L 41A 41T 42A 42T 45S 45L 46S 46L 47S 47L 48S 48L G2U G2A G2T B5S B6S 49S 4AS 4BS 4BA 4BT 51S 52S 53S 81S 82S 83S G2S G3S 32S 33S 34S J4S J5S J6S)	39M5080	*
Power cord - China (models 21C 41C 4BC 53C 83C DBC 31C 33C J5C)	39M5205	*
Power cord - Brazil (models CTO-L A1P A2P A4P A5P B2P B3P 21P 22P D5P D6P E6P E7P E8P F1P F2P F3P A6P 41P 45P 46P 47P 48P B5P B6P 49P 4AP 4BP 51P 52P 53P 81P 82P 83P G2P G3P 32P 33P 34P J4P J5P J6P)	39M5232	*
Power cord - LA High Volt (APU) (models CTO-L A1L A1Y A2L A2Y A4L A4Y A5L A5Y B2L B2Y B3L B3Y 21L 21Y 22L 22Y D5L D5Y D6L D6Y E6L E6Y E7L E7Y E8L E8Y F1L F1Y F2L F2Y F3L F3Y A6L A6Y 41L 41Y 45L 45Y 46L 46Y 47L 47Y 48L 48Y B5Y B6Y 49Y 4AY 4BY 51Y 52Y 53Y 81Y 82Y 83Y G2Y G3Y 32Y 33Y 34Y J4Y J5Y J6Y)	39M5067	*
Power cord - Australia/New Zealand (models CTO-A)	39M5102	*
Power cord - Korea (models D3K D3R D4K D4R E1K E4K E4R E5K E5R 43K 44K H1K H1R 35K)	39M5212	*
Power cord - Hong Kong (models CTO-A B5B B5H 62B 62H 4BB 4BH 53B 53H 83B 83H DBB DBH 31B 31H 33B 33H J5B J5H)	39M5151	*
Power cord - UK, Ireland, Singapore, Malaysia, Brunei (models CTO-G CTO-A 21A D1A D2A E2A E3A 71G 72G 73G 74G 41A 42A 75G 76G 77G 78G G2A 4BA 79G 7AG 7BG)	39M5150	*

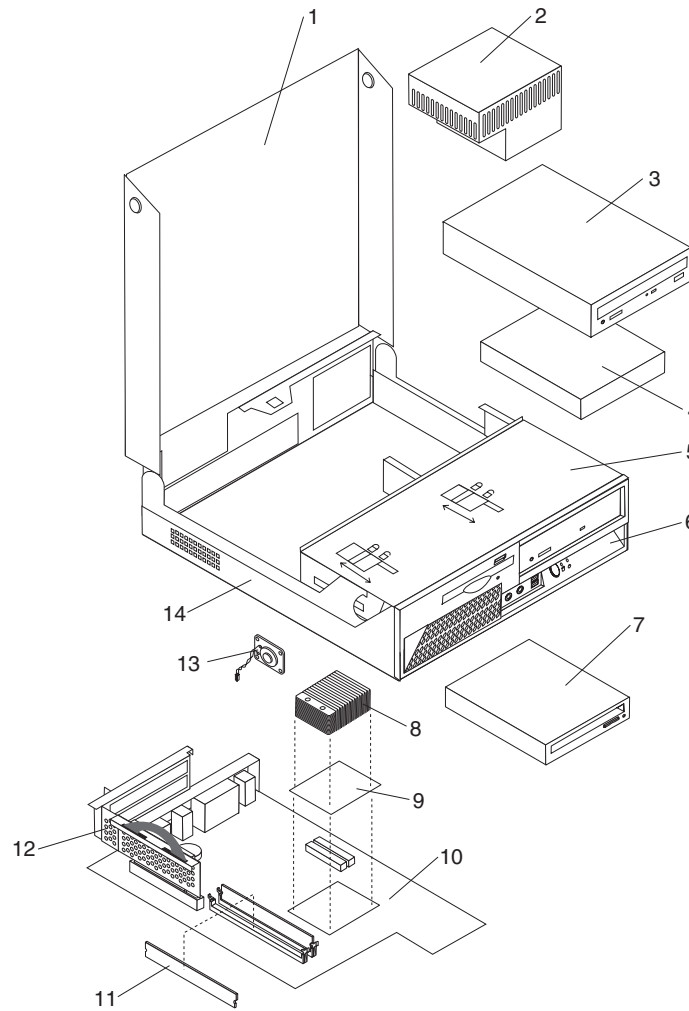
8297 Power Cords	FRU#	CRU
Power cord - Taiwan (models CTO-G CTO-A)	39M5246	*
Power cord - Italy (models CTO-G A1S A1L A1Y A2S A2L A2Y A4S A4L A4Y A5S A5L A5Y B2S B2L B2Y B3S B3L B3Y 21S 21L 21Y 22S 22L 22Y D5S D5L D5Y D6S D6L D6Y E6S E6L E6Y E7S E7L E7Y E8S E8L E8Y F1S F1L F1Y F2S F2L F2Y F3S F3L F3Y 71G 72G 73G 74G A6S A6L A6Y 41S 41L 41Y 45S 45L 45Y 46S 46L 46Y 47S 47L 47Y 48S 48L 48Y 75G 76G 77G 78G B5S B5Y B6S B6Y 49S 49Y 4AS 4AY 4BS 4BY 51S 51Y 52S 52Y 53S 53Y 81S 81Y 82S 82Y 83S 83Y G2S G2Y G3S G3Y 32S 32Y 33S 33Y 34S 34Y 79G 7AG 7BG J4S J4Y J5S J5Y J6S J6Y)	39M5164	*
Power cord - G models (models CTO-G 21A D1A D2A E2A E3A 71G 72G 73G 74G 41A 42A 75G 76G 77G 78G G2A 4BA 79G 7AG 7BG)	39M5122	*
Power cord - Denmark (models CTO-G 71G 72G 73G 74G 75G 76G 77G 78G 79G 7AG 7BG)	39M5129	*
Power cord - Switzerland (models CTO-G 71G 72G 73G 74G 75G 76G 77G 78G 79G 7AG 7BG)	39M5157	*
Power cord - Israel (models CTO-G 71G 72G 73G 74G 75G 76G 77G 78G 79G 7AG 7BG)	39M5171	*
Power cord - South Africa (models CTO-G 21A D1A D2A E2A E3A 71G 72G 73G 74G 41A 42A 75G 76G 77G 78G G2A 4BA 79G 7AG 7BG)	39M5143	*
Power cord - India (models CTO-A 21Q D1Q D2Q E2Q E3Q 41Q 42Q A4Q 28Q 61Q G1Q)	39M5004	*

8297 Windows XP Home Recovery CDs	FRU#	CRU
US/UK/AP/TH (models D3R D4R E4R E5R A6L 46L)	41T1810	*
SP/LA (models A6S A6Y 46S 46Y)	41T4172	*
BR (models A6P 46P)	41T4174	*
Korean (models D3K D4K E1K E4K E5K 35K)	39T9194	*

8297 Windows XP Pro Recovery CDs	FRU#	CRU
US/UK/AP/TH (models A1L A2L A4L A5L B2L B3L B5H 21L 21A 21Q 21T 22L D1A D1Q D1T D2A D2Q D2T D5L D6L E2A E2Q E2T E3A E3Q E3T E6L E7L E8L F1L F2L F3L 71G 72G 73G 74G 41L 41A 41Q 41T 42A 42Q 42T 45L 47L 48L H1R 75G 76G 78G A4Q 28Q 61Q 62H G1Q G2U G2A G2T 4BA 4BT 4BH 53H 83H DBH 31H 33H 79G 7AG 7BG J5H)	41T1809	*
RE (models 71G 72G 73G 74G 75G 76G 78G 79G 7AG 7BG)	41T4985	*
FR/CF (models 71G 72G 73G 74G 75G 76G 78G 79G 7AG 7BG)	41T4134	*
GR (models 71G 72G 73G 74G 75G 76G 78G 79G 7AG 7BG)	41T4135	*
SP/LA (models 71G 72G 73G 74G 75G 76G 78G 79G 7AG 7BG B5S B5Y B6S B6Y 49S 49Y 4AS 4AY 4BS 4BY 51S 51Y 52S 52Y 53S 53Y 81S 81Y 82S 82Y 83S 83Y G2S G2Y G3S G3Y 32S 32Y 33S 33Y 34S 34Y J4S J4Y J5S J5Y J6S J6Y A1S A1Y A2S A2Y A4S A4Y A5S A5Y B2S B2Y B3S B3Y 21S 21Y 22S 22Y D5S D5Y D6S D6Y E6S E6Y E7S E7Y E8S E8Y F1S F1Y F2S F2Y F3S F3Y 41S 41Y 45S 45Y 47S 47Y 48S 48Y)	41T4136	*
IT (models 71G 72G 73G 74G 75G 76G 78G 79G 7AG 7BG)	41T4137	*
BR (models F3P 48P 34P J6P)	41T4138	*
SV (models 71G 72G 73G 74G 75G 76G 78G 79G 7AG 7BG)	41T4139	*
DK (models 71G 72G 73G 74G 75G 76G 78G 79G 7AG 7BG)	41T4991	*
FI (models 71G 72G 73G 74G 75G 76G 78G 79G 7AG 7BG)	41T4997	*
NO (models 71G 72G 73G 74G 75G 76G 78G 79G 7AG 7BG)	41T5003	*
NL (models 71G 72G 73G 74G 75G 76G 78G 79G 7AG 7BG)	41T5009	*
HE (models 71G 72G 73G 74G 75G 76G 78G 79G 7AG 7BG)	41T5015	*

8297 Windows XP Pro Recovery CDs	FRU#	CRU
PL (models 71G 72G 73G 74G 75G 76G 78G 79G 7AG 7BG)	41T5021	*
CZ (models 71G 72G 73G 74G 75G 76G 78G 79G 7AG 7BG)	41T5027	*
AE (models 71G 72G 73G 74G 75G 76G 78G 79G 7AG 7BG)	41T5033	*
RU (models 71G 72G 73G 74G 75G 76G 78G 79G 7AG 7BG)	41T5039	*
TR (models 71G 72G 73G 74G 75G 76G 78G 79G 7AG 7BG)	41T5045	*
HU (models 71G 72G 73G 74G 75G 76G 78G 79G 7AG 7BG)	41T5051	*
PO (models 71G 72G 73G 74G 75G 76G 78G 79G 7AG 7BG)	41T5057	*
GK (models 71G 72G 73G 74G 75G 76G 78G 79G 7AG 7BG)	41T5063	*
SL (models 71G 72G 73G 74G 75G 76G 78G 79G 7AG 7BG)	41T5069	*
Simplified Chinese (models 21C 41C 4BC 53C 83C DBC 31C 33C J5C)	39T9138	*
Taiwan-TC (models A3V B1V B4V)	39T9154	*
Hong Kong-TC (models B5B 62B 4BB 53B 83B DBB 31B 33B J5B)	39T9170	*
Korea (models 43K 44K H1K)	39T9186	*
Multilingual 1 (models 71G 72G 73G 74G 75G 76G 78G 79G 7AG 7BG)	41T4206	*
Multilingual 2 (models 71G 72G 73G 74G 75G 76G 78G 79G 7AG 7BG)	41T5159	*

# Machine Type 8298



Item #	8298 FRUs	FRU#	CRU
1	Cover (all models)	26K1263	*
2	Power Supply (225 Watt) (models CTO D1K D3K D3R D4K D4R D5A D5T D6A D6T DAG E1A E1T E2K E2R E3A E3T E5K E5R EAG 71G 72G 73G 74G 75G AEJ AFJ AGJ AHJ AJJ AKJ ALJ AMJ ANJ APJ ARJ ASJ A6J A7J A8J A9J AAJ ABJ ACJ ADJ)	24R2584	**
2	Power Supply (225 Watt) China (models CTO-A CTO-L A1S A1P A1L A1Y A2S A2P A2L A2Y A3V A4S A4P A4L A4Y A5S A5P A5L A5Y B1V B2S B2P B2L B2Y B3S B3P B3L B3Y B4V B5B B5H 21S 21P 21L 21Y 22S 22P 22L 22Y D2V D5Q D5B D5H D6Q D7Q D8S D8P D8L D8Y D9S D9P D9L D9Y E1Q E3Q E4Q E6V E7S E7P E7L E7Y E8S E8P E8L E8Y E9S E9P E9L E9Y F1Q F2Q F3S F3P F3L F3Y F4S F4P F4L F4Y F5S F5P F5L F5Y G1Q G2B G2H G3V)	24R2587	**
3	CD-ROM Drive 48X (models CTO A1S A1P A1L A1Y A4S A4P A4L A4Y B2S B2P B2L B2Y B5B B5H 21S 21P 21L 21Y 22S 22P 22L 22Y D3K D3R D5A D5Q D5T D5B D5H D8S D8P D8L D8Y E1A E1Q E1T E2K E2R E7S E7P E7L E7Y F3S F3P F3L F3Y G2B G2H AEJ AFJ AGJ AHJ AJJ AKJ A6J A7J A8J A9J 41S 41P 41L 41Y 41A 41Q 41T 42J 43J 44J 45J 46S 46P 46L 46Y 46J 47J 48J 49J 4JK 4KK H1K H1R 82B 82H 91B 91H A4Q BAJ BBJ B6J B7J 2YQ 4NJ 4PJ 61B 61H 62Q G2Q B5S B5Y 52S 52Y 53S 53Y 56S 56Y 57S 57Y 31S 31Y 32S 32Y GCS GCY J1S J1Y 88S 88Y)	40Y8955	*

Item #	8298 FRUs	FRU#	CRU
3	CD-ROM Drive 48X (models CTO A1S A1P A1L A1Y A4S A4P A4L A4Y B2S B2P B2L B2Y B5B B5H 21S 21P 21L 21Y 22S 22P 22L 22Y D3K D3R D5A D5Q D5T D5B D5H D8S D8P D8L D8Y E1A E1Q E1T E2K E2R E7S E7P E7L E7Y F3S F3P F3L F3Y G2B G2H AEJ AFJ AGJ AHJ AJJ AKJ A6J A7J A8J A9J 41S 41P 41L 41Y 41A 41Q 41T 42J 43J 44J 45J 46S 46P 46L 46Y 46J 47J 48J 49J 4JK 4KK H1K H1R 82B 82H 91B 91H A4Q BAJ BBJ B6J B7J 2YQ 4NJ 4PJ 61B 61H 62Q G2Q B5S B5Y 52S 52Y 53S 53Y 56S 56Y 57S 57Y 31S 31Y 32S 32Y GCS GCY J1S J1Y 88S 88Y)	40Y8929	*
3	CD-ROM Drive 48X (models CTO A1S A1P A1L A1Y A4S A4P A4L A4Y B2S B2P B2L B2Y B5B B5H 21S 21P 21L 21Y 22S 22P 22L 22Y D3K D3R D5A D5Q D5T D5B D5H D8S D8P D8L D8Y E1A E1Q E1T E2K E2R E7S E7P E7L E7Y F3S F3P F3L F3Y G2B G2H AEJ AFJ AGJ AHJ AJJ AKJ A6J A7J A8J A9J 41S 41P 41L 41Y 41A 41Q 41T 42J 43J 44J 45J 46S 46P 46L 46Y 46J 47J 48J 49J 4JK 4KK H1K H1R 82B 82H 91B 91H A4Q BAJ BBJ B6J B7J 2YQ 4NJ 4PJ 61B 61H 62Q G2Q B5S B5Y 52S 52Y 53S 53Y 56S 56Y 57S 57Y 31S 31Y 32S 32Y GCS GCY J1S J1Y 88S 88Y)	40Y8953	*
3	CD-ROM Drive 48X (models CTO A1S A1P A1L A1Y A4S A4P A4L A4Y B2S B2P B2L B2Y B5B B5H 21S 21P 21L 21Y 22S 22P 22L 22Y D3K D3R D5A D5Q D5T D5B D5H D8S D8P D8L D8Y E1A E1Q E1T E2K E2R E7S E7P E7L E7Y F3S F3P F3L F3Y G2B G2H AEJ AFJ AGJ AHJ AJJ AKJ A6J A7J A8J A9J 41S 41P 41L 41Y 41A 41Q 41T 42J 43J 44J 45J 46S 46P 46L 46Y 46J 47J 48J 49J 4JK 4KK H1K H1R 82B 82H 91B 91H A4Q BAJ BBJ B6J B7J 2YQ 4NJ 4PJ 61B 61H 62Q G2Q B5S B5Y 52S 52Y 53S 53Y 56S 56Y 57S 57Y 31S 31Y 32S 32Y GCS GCY J1S J1Y 88S 88Y)	40Y8807	*
3	CD-RW Drive (48X/32X/48X) (models CTO A2S A2P A2L A2Y A5S A5P A5L A5Y B3S B3P B3L B3Y D6A D6Q D6T D9S D9P D9L D9Y E3A E3Q E3T E8S E8P E8L E8Y E9S E9P E9L E9Y F1Q F4S F4P F4L F4Y F5S F5P F5L F5Y G1Q 4LS 4LP 4LL 4LY 4MS 4MP 4ML 4MY 81Q)	40Y8901	*
3	CD-RW Drive (48X/32X/48X) (models CTO A2S A2P A2L A2Y A5S A5P A5L A5Y B3S B3P B3L B3Y D6A D6Q D6T D9S D9P D9L D9Y E3A E3Q E3T E8S E8P E8L E8Y E9S E9P E9L E9Y F1Q F4S F4P F4L F4Y F5S F5P F5L F5Y G1Q 4LS 4LP 4LL 4LY 4MS 4MP 4ML 4MY 81Q)	40Y8937	*
3	DVD-ROM 16X/48X - Black (models CTO A3V B1V B4V D2V E6V G3V 71G 75G 83V 76G 77G 79G DBV GDV 7DG 84V)	40Y8931	*
3	DVD-ROM 16X/48X - Black (models CTO A3V B1V B4V D2V E6V G3V 71G 75G 83V 76G 77G 79G DBV GDV 7DG 84V)	40Y8933	*
3	DVD-ROM 16X/48X - Black (models CTO A3V B1V B4V D2V E6V G3V 71G 75G 83V 76G 77G 79G DBV GDV 7DG 84V)	40Y8935	*
3	DVD-ROM 16X/48X - Black (models CTO A3V B1V B4V D2V E6V G3V 71G 75G 83V 76G 77G 79G DBV GDV 7DG 84V)	40Y8957	*
3	DVD-ROM/CD-RW Combo Drive (48x/32x/48x/16x) (models CTO D1K D4K D4R D7Q DAG E4Q E5K E5R F2Q 72G 73G ALJ AMJ ANJ APJ ARJ ASJ AAJ ABJ ACJ ADJ 4AA 4AQ 4AT 4AJ 4BJ 4CJ 4DJ 78G 7AG BCJ BDJ B8J B9J 4QJ 4RJ G4J G5J G6J G7J 51S 51Y 51A 51T 51C 51B 51H 51J 54U 54F 58S 58Y 58C 58B 58H 33S 33Y 33C 33B 33H DCC DCB DCH G4S G4Y 92U 92F 94C 94B 94H J2S J2Y J2C J2B J2H J3S J3Y J4U J4F 7BG 7CG 89S 89Y 89C 89B 89H 8AS 8AY)	40Y8919	*
3	DVD-ROM/CD-RW Combo Drive (48x/32x/48x/16x) (models CTO D1K D4K D4R D7Q DAG E4Q E5K E5R F2Q 72G 73G ALJ AMJ ANJ APJ ARJ ASJ AAJ ABJ ACJ ADJ 4AA 4AQ 4AT 4AJ 4BJ 4CJ 4DJ 78G 7AG BCJ BDJ B8J B9J 4QJ 4RJ G4J G5J G6J G7J 51S 51Y 51A 51T 51C 51B 51H 51J 54U 54F 58S 58Y 58C 58B 58H 33S 33Y 33C 33B 33H DCC DCB DCH G4S G4Y 92U 92F 94C 94B 94H J2S J2Y J2C J2B J2H J3S J3Y J4U J4F 7BG 7CG 89S 89Y 89C 89B 89H 8AS 8AY)	40Y8941	*
3	Multi-Burner Plus (models CTO EAG 74G 4EJ 4FJ 4GJ 4HJ 4SJ 4TJ G8J G9J GAJ GBJ 55U 55F 35U 35F 93U 93F)	40Y8909	*
4	Hard Disk Drive 40GB 7200 rpm Serial ATA (models CTO AEJ AFJ AGJ AHJ ALJ AMJ ANJ APJ 42J 43J 44J 45J)	40Y9033	*

Item #	8298 FRUs	FRU#	CRU
4	Hard Disk Drive 40GB 7200 rpm Serial ATA (models CTO AEJ AFJ AGJ AHJ ALJ AMJ ANJ APJ 42J 43J 44J 45J)	40Y8760	*
4	Hard Disk Drive 80GB 7200 rpm Serial ATA (models 41S 41P 41L 41Y 41A 41Q 41T 46S 46P 46L 46Y 46J 47J 48J 49J 4AA 4AQ 4AT 4AJ 4BJ 4CJ 4DJ 4EJ 4FJ 4GJ 4HJ 4KK 4LS 4LP 4LL 4LY 4MS 4MP 4ML 4MY 81Q 82B 82H 83V 91B 91H 76G 77G B5S B5Y 51S 51Y 51A 51T 51C 51B 51H 51J 52S 52Y 53S 53Y 54U 54F 56S 56Y 57S 57Y 58S 58Y 58C 58B 58H 31S 31Y 32S 32Y 33S 33Y 33C 33B 33H DBV DCC DCB DCH G4S G4Y GCS GCY GDV 84V 92U 92F 94C 94B 94H J1S J1Y J2S J2Y J2C J2B J2H J3S J3Y 7BG 7DG 88S 88Y 89S 89Y 89C 89B 89H 8AS 8AY CTO A1S A1P A1L A1Y A2S A2P A2L A2Y A3V A4S A4P A4L A4Y A5S A5P A5L A5Y B1V B2S B2P B2L B2Y B3S B3P B3L B3Y B4V B5B B5H 21S 21P 21L 21Y 22S 22P 22L 22Y D2V D3K D3R D5A D5Q D5T D5B D5H D6A D6Q D6T D7Q D8S D8P D8L D8Y D9S D9P D9L D9Y DAG E1A E1Q E1T E2K E2R E3A E3Q E3T E4Q E6V E7S E7P E7L E7Y E8S E8P E8L E8Y F1Q F2Q F3S F3P F3L F3Y G1Q G2B G2H G3V 71G 72G 73G 75G AJJ AKJ ARJ ASJ A6J A7J A8J A9J AAJ ABJ ACJ ADJ 78G 79G A4Q BAJ BBJ BCJ BDJ B6J B7J B8J B9J 2YQ 61B 61H 62Q G2Q G4J G5J G8J G9J)	40Y9034	*
4	Hard Disk Drive 80GB 7200 rpm Serial ATA (models 41S 41P 41L 41Y 41A 41Q 41T 46S 46P 46L 46Y 46J 47J 48J 49J 4AA 4AQ 4AT 4AJ 4BJ 4CJ 4DJ 4EJ 4FJ 4GJ 4HJ 4KK 4LS 4LP 4LL 4LY 4MS 4MP 4ML 4MY 81Q 82B 82H 83V 91B 91H 76G 77G B5S B5Y 51S 51Y 51A 51T 51C 51B 51H 51J 52S 52Y 53S 53Y 54U 54F 56S 56Y 57S 57Y 58S 58Y 58C 58B 58H 31S 31Y 32S 32Y 33S 33Y 33C 33B 33H DBV DCC DCB DCH G4S G4Y GCS GCY GDV 84V 92U 92F 94C 94B 94H J1S J1Y J2S J2Y J2C J2B J2H J3S J3Y 7BG 7DG 88S 88Y 89S 89Y 89C 89B 89H 8AS 8AY CTO A1S A1P A1L A1Y A2S A2P A2L A2Y A3V A4S A4P A4L A4Y A5S A5P A5L A5Y B1V B2S B2P B2L B2Y B3S B3P B3L B3Y B4V B5B B5H 21S 21P 21L 21Y 22S 22P 22L 22Y D2V D3K D3R D5A D5Q D5T D5B D5H D6A D6Q D6T D7Q D8S D8P D8L D8Y D9S D9P D9L D9Y DAG E1A E1Q E1T E2K E2R E3A E3Q E3T E4Q E6V E7S E7P E7L E7Y E8S E8P E8L E8Y F1Q F2Q F3S F3P F3L F3Y G1Q G2B G2H G3V 71G 72G 73G 75G AJJ AKJ ARJ ASJ A6J A7J A8J A9J AAJ ABJ ACJ ADJ 78G 79G A4Q BAJ BBJ BCJ BDJ B6J B7J B8J B9J 2YQ 61B 61H 62Q G2Q G4J G5J G8J G9J)	40Y8761	*
4	Hard Disk Drive 160GB 7200 rpm Serial ATA (models CTO D1K D4K D4R E5K E5R E9S E9P E9L E9Y EAG F4S F4P F4L F4Y 74G 4JK H1K H1R 7AG 4NJ 4PJ 4QJ 4RJ 4SJ 4TJ G6J G7J GAJ GBJ 55U 55F 35U 35F 93U 93F J4U J4F 7CG)	40Y8762	*
4	Hard Disk Drive 160GB 7200 rpm Serial ATA (models CTO D1K D4K D4R E5K E5R E9S E9P E9L E9Y EAG F4S F4P F4L F4Y 74G 4JK H1K H1R 7AG 4NJ 4PJ 4QJ 4RJ 4SJ 4TJ G6J G7J GAJ GBJ 55U 55F 35U 35F 93U 93F J4U J4F 7CG)	40Y9035	*
4	Hard Disk Drive 250GB 7200 rpm Serial ATA (models CTO F5S F5P F5L F5Y)	40Y8763	*
4	Hard Disk Drive 250GB 7200 rpm Serial ATA (models CTO F5S F5P F5L F5Y)	40Y9036	*
5	Rotating bay assembly (all models)	03R0285	**
6	Bezel Plastic Kit (all models)	26K1214	*
7	Slim Diskette Drive, 1.44 MB 3 mode (models A4Q BAJ BBJ BCJ BDJ B6J B7J B8J B9J 2YQ 4NJ 4PJ 4QJ 4RJ 4SJ 4TJ 62Q G2Q G4J G5J G6J G7J G8J G9J GAJ GBJ B5S B5Y 51S 51Y 51A 51T 51C 51B 51H 51J 52S 52Y 53S 53Y 56S 56Y 57S 57Y 58S 58Y 58C 58B 58H 31S 31Y 32S 32Y 33S 33Y 33C 33B 33H DBV DCC DCB DCH G4S G4Y GCS GCY GDV 84V 94C 94B 94H J1S J1Y J2S J2Y J2C J2B J2H J3S J3Y 88S 88Y 89S 89Y 89C 89B 89H 8AS 8AY CTO A1S A1P A1L A1Y A3V A4S A4P A4L A4Y B1V B2S B2P B2L B2Y B4V B5B B5H 21S 21P 21L 21Y 22S 22P 22L 22Y D2V D5A D5Q D5T D5B D5H D6A D6Q D6T D7Q D8S D8P D8L D8Y E1A E1Q E1T E3A E3Q E3T E4Q E6V E7S E7P E7L E7Y F1Q F2Q F3S F3P F3L F3Y G1Q G2B G2H G3V AGJ AHJ AJJ AKJ ANJ APJ ARJ ASJ A6J A7J A8J A9J AAJ ABJ ACJ ADJ 41S 41P 41L 41Y 41A 41Q 41T 42J 43J 44J 45J 46S 46P 46L 46Y 46J 47J 48J 49J 4AA 4AQ 4AT 4AJ 4BJ 4CJ 4DJ 4EJ 4FJ 4GJ 4HJ 4LS 4LP 4LL 4LY 4MS 4MP 4ML 4MY 81Q 82B 82H 83V 91B 91H)	40Y9109	*

Item #	8298 FRUs	FRU#	CRU
7	Slim Diskette Drive, 1.44 MB 3 mode (models A4Q BAJ BBJ BCJ BDJ B6J B7J B8J B9J 2YQ 4NJ 4PJ 4QJ 4RJ 4SJ 4TJ 62Q G2Q G4J G5J G6J G7J G8J G9J GAJ GBJ B5S B5Y 51S 51Y 51A 51T 51C 51B 51H 51J 52S 52Y 53S 53Y 56S 56Y 57S 57Y 58S 58Y 58C 58B 58H 31S 31Y 32S 32Y 33S 33Y 33C 33B 33H DBV DCC DCB DCH G4S G4Y GCS GCY GDV 84V 94C 94B 94H J1S J1Y J2S J2Y J2C J2B J2H J3S J3Y 88S 88Y 89S 89Y 89C 89B 89H 8AS 8AY CTO A1S A1P A1L A1Y A3V A4S A4P A4L A4Y B1V B2S B2P B2L B2Y B4V B5B B5H 21S 21P 21L 21Y 22S 22P 22L 22Y D2V D5A D5Q D5T D5B D5H D6A D6Q D6T D7Q D8S D8P D8L D8Y E1A E1Q E1T E3A E3Q E3T E4Q E6V E7S E7P E7L E7Y F1Q F2Q F3S F3P F3L F3Y G1Q G2B G2H G3V AGJ AHJ AJJ AKJ ANJ APJ ARJ ASJ A6J A7J A8J A9J AAJ ABJ ACJ ADJ 41S 41P 41L 41Y 41A 41Q 41T 42J 43J 44J 45J 46S 46P 46L 46Y 46J 47J 48J 49J 4AA 4AQ 4AT 4AJ 4BJ 4CJ 4DJ 4EJ 4FJ 4GJ 4HJ 4LS 4LP 4LL 4LY 4MS 4MP 4ML 4MY 81Q 82B 82H 83V 91B 91H)	40Y9111	*
8	Heat Sink, Side Car w/baffle, Lead Free (all models)	26K1258	**
9	Microprocessor, 2.53GHZ Celeron Prescott P4 (533FSB, 256KB) (models CTO)	39J7004	**
9	Microprocessor, 2.66 GHZ Celeron Prescott P4 (533FSB, 256KB) (models CTO A1S A1P A1L A1Y A2S A2P A2L A2Y)	39J7005	**
9	Microprocessor, 2.8 GHZ Celeron Prescott P4 (533FSB, 256KB) (models CTO A3V A4S A4P A4L A4Y A5S A5P A5L A5Y 71G A4Q)	39J7006	**
9	Microprocessor, 2.93 GHZ Celeron Prescott P4 (533FSB, 256KB) (models CTO B1V B2S B2P B2L B2Y B3S B3P B3L B3Y 72G 76G BAJ BBJ BCJ BDJ)	39J7007	**
9	Microprocessor, 3.06 GHZ Celeron Prescott P4 (533FSB, 256KB) (models CTO B4V B5B B5H 78G B6J B7J B8J B9J B5S B5Y)	39J7008	**
9	Microprocessor, 3.2 GHZ Celeron Prescott P4 (533FSB, 256KB) (models CTO)	39J9695	**
9	Microprocessor, 3.2 GHZ Celeron Prescott P4 (533FSB, 512KB) (models CTO)	41T4966	**
9	Microprocessor, 3.33 GHZ Celeron Prescott P4 (533FSB, 256KB) (models CTO)	41T1132	**
9	Microprocessor, 3.33 GHZ Celeron Prescott P4 (533FSB, 512KB) (models CTO)	41T4968	**
9	Microprocessor, 2.66 GHZ Prescott P4 (533FSB, 1MB) (models CTO 2YQ)	41D0684	**
9	Microprocessor, 2.93 GHZ Prescott P4 (533FSB, 1MB) (models CTO 21S 21P 21L 21Y)	41D0692	**
9	Microprocessor, 2.93 GHZ Prescott P4 (533FSB, 1MB) (models CTO 21U 21F 21A 21Q 21T 21C C5U)	41D0686	**
9	Microprocessor, 3.06 GHZ Prescott P4 (533FSB, 1MB) (models CTO 22S 22P 22L 22Y)	41D0688	**
9	Microprocessor, 2.8 GHZ Prescott P4 (800FSB, 1MB) (models CTO 41S 41P 41L 41Y 41A 41Q 41T 42J 43J 44J 45J 46S 46P 46L 46Y 46J 47J 48J 49J 4AA 4AQ 4AT 4AJ 4BJ 4CJ 4DJ 4EJ 4FJ 4GJ 4HJ 4JK 4KK 4LS 4LP 4LL 4LY 4MS 4MP 4ML 4MY 77G 4NJ 4PJ 4QJ 4RJ 4SJ 4TJ)	39J7009	**
9	Microprocessor, Pentium 4 3.06GHz 533MHz FSB 1MB L2 (models CTO 51S 51Y 51A 51T 51C 51B 51H 51J 52S 52Y 53S 53Y 54U 54F 55U 55F 7BG)	41T4104	**
9	Microprocessor, 3.0 GHZ Prescott P4 (800FSB, 1MB) (models CTO 56S 56Y 57S 57Y 58S 58Y 58C 58B 58H)	39J7010	**
9	Microprocessor, 3.2 GHZ Prescott P4 (800FSB, 1MB) (models CTO 31S 31Y 32S 32Y 33S 33Y 33C 33B 33H 35U 35F)	39J7011	**
9	Microprocessor, 3.4 GHZ Prescott P4 (800FSB, 1MB) (models CTO)	39J7012	**
9	Microprocessor, 2.8 GHZ Prescott P4 (800FSB, 2MB) (models CTO 79G 61B 61H 62Q)	41X2412	**



Item #	8298 FRUs	FRU#	CRU
9	Microprocessor, 3.0 GHZ Prescott P4 (800FSB, 2MB) (models CTO D1K D2V D3K D3R D4K D4R D5A D5Q D5T D5B D5H D6A D6Q D6T D7Q D8S D8P D8L D8Y D9S D9P D9L D9Y DAG 73G 74G 75G)	39J7013	**
9	Microprocessor, 3.0 GHZ Cedar Mill P4 (800FSB, 2MB) (models CTO DBV DCC DCB DCH)	41D5042	**
9	Microprocessor, 3.2 GHZ Prescott P4 (800FSB, 2MB) (models CTO E1A E1Q E1T E2K E2R E3A E3Q E3T E4Q E5K E5R E6V E7S E7P E7L E7Y E8S E8P E8L E8Y E9S E9P E9L E9Y EAG)	39J7014	**
9	Microprocessor, 3.2 GHZ Cedar Mill P4 (800FSB, 2MB) (models CTO)	41D5044	**
9	Microprocessor, 3.4 GHZ Prescott P4 (800FSB, 2MB) (models CTO F1Q F2Q F3S F3P F3L F3Y F4S F4P F4L F4Y F5S F5P F5L F5Y)	39J7015	**
9	Microprocessor, 3.4 GHZ Cedar Mill P4 (800FSB, 2MB) (models CTO)	41D5046	**
9	Microprocessor, 3.6 GHZ Cedar Mill P4 (800FSB, 2MB) (models CTO H1K H1R)	41D5048	**
9	Microprocessor, Pentium D, 2.8 GHZ, 800MHz FSB, 1MBx2 L2 (models CTO G1Q G2B G2H G3V 7AG G2Q G4J G5J G6J G7J G8J G9J GAJ GBJ G4S G4Y GCS GCY GDV 7CG 7DG)	39J8468	**
9	Microprocessor, Pentium D, 2.8 GHZ, 800MHz FSB, 2MBx2 L2 (models CTO 81Q 82B 82H 83V 84V)	41D5050	**
9	Microprocessor, Pentium D Processor 3.0 GHz 800MHz FSB 2Mx2 L2 C1-Value (models CTO 88S 88Y 89S 89Y 89C 89B 8AS 8AY)	TBD	**
9	Microprocessor, Pentium D, 3.0 GHz, 800MHz FSB, 2MBx2 L2 (models CTO 91B 91H 92U 92F 93U 93F)	41D5052	**
9	Microprocessor, Pentium D Processor 3.2 GHz 800MHz FSB 2Mx2 L2 C1-Value (models CTO 94C 94B 94H)	41X4230	**
9	Microprocessor, Pentium D Processor 3.2 GHz 800MHz FSB 2Mx2 L2 C1-Value (models CTO J1S J1Y J2S J2Y J2C J2B J2H J3S J3Y J4U J4F)	TBD	**
10	System Board (models B5S B5Y 51S 51Y 51A 51T 51C 51B 51H 51J 52S 52Y 53S 53Y 54U 54F 55U 55F 56S 56Y 57S 57Y 58S 58Y 58C 58B 58H 31S 31Y 32S 32Y 33S 33Y 33C 33B 33H 35U 35F DBV DCC DCB DCH G4S G4Y GCS GCY GDV 84V 92U 92F 93U 93F 94C 94B 94H J1S J1Y J2S J2Y J2C J2B J2H J3S J3Y J4U J4F 7BG 7CG 7DG 88S 88Y 89S 89Y 89C 89B 89H 8AS 8AY AEJ AFJ AGJ AHJ AJJ AKJ ALJ AMJ ANJ APJ ARJ ASJ A6J A7J A8J A9J AAJ ABJ ACJ ADJ 41S 41P 41L 41Y 41A 41Q 41T 42J 43J 44J 45J 46S 46P 46L 46Y 46J 47J 48J 49J 4AA 4AQ 4AT 4AJ 4BJ 4CJ 4DJ 4EJ 4FJ 4GJ 4HJ 4KJ 4KK 4LS 4LP 4LL 4LY 4MS 4MP 4ML 4MY H1K H1R 81Q 82B 82H 83V 91B 91H 91H 76G 77G 78G 79G 7AG A4Q BAJ BBJ BCJ BDJ B6J B7J B8J B9J 2YQ 4NJ 4PJ 4QJ 4RJ 4SJ 4TJ 61B 61H 62Q G2Q G4J G5J G6J G7J G8J G9J GAJ GBJ A1S A1P A1L A1Y A2S A2P A2L A2Y A3V A4S A4P A4L A4Y A5S A5P A5L A5Y B1V B2S B2P B2L B2Y B3S B3P B3L B3Y B4V B5B B5H 21S 21P 21L 21Y 22S 22P 22L 22Y D1K D2V D3K D3R D4K D4R D5A D5Q D5T D5B D5H D6A D6Q D6T D7Q D8S D8P D8L D8Y D9S D9P D9L D9Y DAG E1A E1Q E1T E2K E2R E3A E3Q E3T E4Q E5K E5R E6V E7S E7P E7L E7Y E8S E8P E8L E8Y E9S E9P E9L E9Y EAG F1Q F2Q F3S F3P F3L F3Y F4S F4P F4L F4Y F5S F5P F5L F5Y G1Q G2B G2H G3V 71G 72G 73G 74G 75G)	41D2469	**
11	256MB DDR2 SDRAM NP Memory (PC 4200) (models CTO A1S A1P A1L A1Y A2S A2P A2L A2Y A3V A4S A4P A4L A4Y A5S A5P A5L A5Y B1V B2S B2P B2L B2Y B3S B3P B3L B3Y B4V B5B B5H 21S 21P 21L 21Y 22S 22P 22L 22Y D2V D5A D5Q D5T D5B D5H D6A D6Q D6T D8S D8P D8L D8Y D9S D9P D9L D9Y E1A E1Q E1T E3A E3Q E3T E6V E7S E7P E7L E7Y E8S E8P E8L E8Y E9S E9P E9L E9Y F1Q F3S F3P F3L F3Y F4S F4P F4L F4Y F5S F5P F5L F5Y G1Q G2B G2H G3V 71G AEJ AFJ AGJ AHJ ALJ AMJ ANJ APJ 41S 41P 41L 41Y 41A 41Q 41T 42J 43J 44J 45J 4LS 4LP 4LL 4LY 81Q 82B 82H 83V 91B 91H 76G 77G A4Q 2YQ 61B 61H B5S B5Y 52S 52Y 56S 56Y 31S 31Y DBV)	30R5120	*

Item #	8298 FRUs	FRU#	CRU
11	512MB DDR2 SDRAM NP Memory (PC 4200) (models 92U 92F 93U 93F 94C 94B 94H J1S J1Y J2S J2Y J2C J2B J2H J4U J4F 7BG 7CG 7DG 88S 88Y 89S 89Y 89C 89B 89H CTO D1K D3K D3R D4K D4R D7Q DAG E2K E2R E4Q E5K E5R EAG F2Q 72G 73G 74G 75G AJJ AKJ ARJ ASJ A6J A7J A8J A9J AAJ ABJ ACJ ADJ 46S 46P 46L 46Y 46J 47J 48J 49J 4AA 4AQ 4AT 4AJ 4BJ 4CJ 4DJ 4EJ 4FJ 4GJ 4HJ 4JK 4KK 4MS 4MP 4ML 4MY H1K H1R 78G 79G 7AG BAJ BBJ BCJ BDJ B6J B7J B8J B9J 4NJ 4PJ 4QJ 4RJ 4SJ 4TJ G4J G5J G6J G7J G8J G9J GAJ GBJ 51S 51Y 51A 51T 51C 51B 51H 51J 53S 53Y 54U 54F 55U 55F 57S 57Y 58S 58Y 58C 58B 58H 32S 32Y 33S 33Y 33C 33B 33H 35U 35F DCC DCB DCH G4S G4Y GCS GCY GDV 84V)	30R5121	*
11	1GB DDR2 SDRAM NP Memory (PC 4200) (models CTO J3S J3Y 8AS 8AY)	30R5122	*
11	2GB DDR2 SDRAM NP Memory (PC 4200) (models CTO)	30R5123	*
12	Riser card assembly (all models)	41A7730	*
13	Speaker/cable assembly (all models)	39K5012	*
14	Chassis (all models)	26K1262	**

The FRUs listed in the following table are not illustrated.

8298 FRUs	FRU#	CRU
Hard disk Drive tray (all models)	03R0302	**
Floor stand and vertical deflector (all models)	74P0404	**
System board tray (all models)	26K1213	**
Internal plastic kit (all models)	03R0289	**
Cable, 2 Drop Hard Disk Drive and Optical - ATA 100 (all models)	26K1246	*
Cable, Optical (1 Drop) ATA 100 (all models)	26K1244	*
Cable, SATA Device (all models)	39K5026	*
C2 Cable (Squall) (models)	39K5022	*
Cable, pwr/LED (all models)	26K1242	*
Cable, Diskette Drive (all models)	26K1248	*
Fan assembly (all models)	26K1253	*
Battery (all models)	33F8354	*
Universal Adapter Bracket 5.25 to 3.5-inch (all models)	32P4743	*
Retention module, tool less heat sink (all models)	26K1281	*

8298 Keyboards (Preferred Pro Fullsize)	FRU#	CRU
US English (models CTO-U CTO-G A1L A2L A4L A5L B2L B3L B5H 21L 22L D3R D4R D5A D5Q D5H D6A D6Q D7Q D8L D9L DAG E1A E1Q E2R E3A E3Q E4Q E5R E7L E8L E9L EAG F1Q F2Q F3L F4L F5L G1Q G2H 71G 72G 73G 74G 75G 41L 41A 41Q 46L 4AA 4AQ 4LL 4ML H1R 81Q 82H 91H 76G 77G 78G 79G 7AG A4Q 2YQ 61H 62Q G2Q 51A 51C 51H 54U 55U 58C 58H 33C 33H 35U DCC DCH 92U 93U 94C 94H J2C J2H J4U 7BG 7CG 7DG 89C 89H)	89P8300	*
Arabic (models CTO-G DAG EAG 71G 72G 73G 74G 75G 76G 77G 78G 79G 7AG 7BG 7CG 7DG)	89P8301	*
Belgian/French (models CTO-G DAG EAG 71G 72G 73G 74G 75G 76G 77G 78G 79G 7AG 7BG 7CG 7DG)	89P8302	*
Belgian/UK (models CTO-G DAG EAG 71G 72G 73G 74G 75G 76G 77G 78G 79G 7AG 7BG 7CG 7DG)	89P8303	*

8298 Keyboards (Preferred Pro Fullsize)	FRU#	CRU
Brazil/Portuguese (models CTO-L A1P A2P A4P A5P B2P B3P 21P 22P D8P D9P E7P E8P E9P F3P F4P F5P 41P 46P 4LP 4MP)	89P8304	*
Bulgarian (models CTO-G DAG EAG 71G 72G 73G 74G 75G 76G 77G 78G 79G 7AG 7BG 7CG 7DG)	89P8305	*
Chinese/US (models A3V B1V B4V B5B D2V D5B E6V G2B G3V 82B 83V 91B 61B 51B 58B 33B DBV DCB GDV 84V 94B J2B 89B)	89P8306	*
Czech (models CTO-G DAG EAG 71G 72G 73G 74G 75G 76G 77G 78G 79G 7AG 7BG 7CG 7DG)	89P8307	*
Danish (models CTO-G DAG EAG 71G 72G 73G 74G 75G 76G 77G 78G 79G 7AG 7BG 7CG 7DG)	89P8308	*
Dutch (models CTO-G DAG EAG 71G 72G 73G 74G 75G 76G 77G 78G 79G 7AG 7BG 7CG 7DG)	89P8309	*
French (models CTO-G DAG EAG 71G 72G 73G 74G 75G 76G 77G 78G 79G 7AG 7BG 7CG 7DG)	89P8310	*
French Canadian 445 (models CTO-U 54F 55F 35F 92F 93F J4F)	89P8311	*
French Canadian 58 (models CTO-U 54F 55F 35F 92F 93F J4F)	89P8312	*
German (models CTO-G DAG EAG 71G 72G 73G 74G 75G 76G 77G 78G 79G 7AG 7BG 7CG 7DG)	89P8313	*
Greek (models CTO-G DAG EAG 71G 72G 73G 74G 75G 76G 77G 78G 79G 7AG 7BG 7CG 7DG)	89P8314	*
Hebrew (models CTO-G DAG EAG 71G 72G 73G 74G 75G 76G 77G 78G 79G 7AG 7BG 7CG 7DG)	89P8315	*
Hungarian (models CTO-G DAG EAG 71G 72G 73G 74G 75G 76G 77G 78G 79G 7AG 7BG 7CG 7DG)	89P8316	*
Iceland (models CTO-G DAG EAG 71G 72G 73G 74G 75G 76G 77G 78G 79G 7AG 7BG 7CG 7DG)	89P8317	*
Italian (models CTO-G DAG EAG 71G 72G 73G 74G 75G 76G 77G 78G 79G 7AG 7BG 7CG 7DG)	89P8319	*
Japanese (models AEJ AFJ AGJ AHJ AJJ AKJ ALJ AMJ ANJ APJ ARJ ASJ A6J A7J AAJ ABJ 42J 43J 46J 47J 4AJ 4BJ 4EJ 4FJ BAJ BBJ BCJ BDJ B6J B7J B8J B9J 4NJ 4PJ 4QJ 4RJ 4SJ 4TJ G4J G5J G6J G7J G8J G9J GAJ GBJ 51J)	89P8320	*
Korean (models D1K D3K D4K E2K E5K 4JK 4KK H1K)	89P8321	*
LA Spanish (models CTO-L A1S A1Y A2S A2Y A4S A4Y A5S A5Y B2S B2Y B3S B3Y 21S 21Y 22S 22Y D8S D8Y D9S D9Y E7S E7Y E8S E8Y E9S E9Y F3S F3Y F4S F4Y F5S F5Y 41S 41Y 46S 46Y 4LS 4LY 4MS 4MY B5S B5Y 51S 51Y 52S 52Y 53S 53Y 56S 56Y 57S 57Y 58S 58Y 31S 31Y 32S 32Y 33S 33Y G4S G4Y GCS GCY J1S J1Y J2S J2Y J3S J3Y 88S 88Y 89S 89Y 8AS 8AY)	89P8322	*
Norwegian (models CTO-G DAG EAG 71G 72G 73G 74G 75G 76G 77G 78G 79G 7AG 7BG 7CG 7DG)	89P8323	*
Polish (models CTO-G DAG EAG 71G 72G 73G 74G 75G 76G 77G 78G 79G 7AG 7BG 7CG 7DG)	89P8324	*
Portuguese (models CTO-G DAG EAG 71G 72G 73G 74G 75G 76G 77G 78G 79G 7AG 7BG 7CG 7DG)	89P8325	*
Romanian (models CTO-G DAG EAG 71G 72G 73G 74G 75G 76G 77G 78G 79G 7AG 7BG 7CG 7DG)	89P8326	*
Russian (models CTO-G DAG EAG 71G 72G 73G 74G 75G 76G 77G 78G 79G 7AG 7BG 7CG 7DG)	89P8327	*

<b>8298 Keyboards (Preferred Pro Fullsize)</b>	<b>FRU#</b>	<b>CRU</b>
Russian/Cyrillic (models CTO-G DAG EAG 71G 72G 73G 74G 75G 76G 77G 78G 79G 7AG 7BG 7CG 7DG)	89P8328	*
Serbian/Cyrillic (models CTO-G DAG EAG 71G 72G 73G 74G 75G 76G 77G 78G 79G 7AG 7BG 7CG 7DG)	89P8329	*
Slovak (models CTO-G DAG EAG 71G 72G 73G 74G 75G 76G 77G 78G 79G 7AG 7BG 7CG 7DG)	89P8330	*
Spanish (models CTO-G DAG EAG 71G 72G 73G 74G 75G 76G 77G 78G 79G 7AG 7BG 7CG 7DG)	89P8331	*
Swedish/Finn (models CTO-G DAG EAG 71G 72G 73G 74G 75G 76G 77G 78G 79G 7AG 7BG 7CG 7DG)	89P8332	*
Swiss F/G (models CTO-G DAG EAG 71G 72G 73G 74G 75G 76G 77G 78G 79G 7AG 7BG 7CG 7DG)	89P8333	*
Thailand (models CTO-A D5T D6T E1T E3T 41T 4AT 51T)	89P8334	*
Turkish 179 (models CTO-G DAG EAG 71G 72G 73G 74G 75G 76G 77G 78G 79G 7AG 7BG 7CG 7DG)	89P8336	*
UK English (models CTO-G DAG EAG 71G 72G 73G 74G 75G 76G 77G 78G 79G 7AG 7BG 7CG 7DG)	89P8337	*
US Euro (models CTO-G DAG EAG 71G 72G 73G 74G 75G 76G 77G 78G 79G 7AG 7BG 7CG 7DG)	89P8338	*
Yugoslav/Latin (models CTO-G DAG EAG 71G 72G 73G 74G 75G 76G 77G 78G 79G 7AG 7BG 7CG 7DG)	89P8339	*

<b>8298 Keyboards (with fingerprint reader)</b>	<b>FRU#</b>	<b>CRU</b>
US English (models CTO-U CTO-G)	89P9000	*
Arabic (models CTO-G)	89P9001	*
Arabic/French (models CTO-G)	89P9002	*
Belgian/French (models CTO-G)	89P9003	*
Belgian/UK (models CTO-G)	89P9004	*
Brazilian Portuguese (models CTO-L)	89P9005	*
Bulgarian (models CTO-G)	89P9006	*
Chinese/US (models CTO-G)	89P9007	*
Czech (models CTO-G)	89P9008	*
Danish (models CTO-G)	89P9009	*
Dutch (models CTO-G)	89P9010	*
French (models CTO-G)	89P9011	*
French Canadian 445 (models CTO-U)	89P9012	*
French Canadian 58 (models CTO-U)	89P9013	*
German (models CTO-G)	89P9014	*
Greek (models CTO-G)	89P9015	*
Hebrew (models CTO-G)	89P9016	*
Hungarian (models CTO-G)	89P9017	*
Iceland (models CTO-G)	89P9018	*
Italian 141 (models CTO-G)	89P9019	*
Japanese (models A8J A9J ACJ ADJ 44J 45J 48J 49J 4CJ 4DJ 4GJ 4HJ)	89P9020	*

8298 Keyboards (with fingerprint reader)	FRU#	CRU
LA Spanish (models CTO-L)	89P9022	*
Norwegian (models CTO-G)	89P9023	*
Polish (models CTO-G)	89P9024	*
Portuguese (models CTO-G)	89P9025	*
Romanian (models CTO-G)	89P9026	*
Romanian (models CTO-G)	89P9027	*
Russian/Cyrillic (models CTO-G)	89P9028	*
Serbian/Cyrillic (models CTO-G)	89P9029	*
Slovak (models CTO-G)	89P9030	*
Spanish (models CTO-G)	89P9031	*
Swedish/Finn (models CTO-G)	89P9032	*
Swiss F/G (models CTO-G)	89P9033	*
Thailand (models CTO-A)	89P9034	*
Turkish 440 (models CTO-G)	89P9035	*
Turkish 179 (models CTO-G)	89P9036	*
UK English (models CTO-G)	89P9037	*
US Euro (models CTO-G)	89P9038	*
Yugoslav/Latin (models CTO-G)	89P9039	*

8298 mice	FRU#	CRU
Mouse, Scrollpoint Optical, USB (models CTO)	41A4933	*
Mouse, Optical Wheelmouse, USB (all models)	41A4935	*
Mouse, PS2 Wheelmouse, black (models CTO)	41A4917	*

8298 Adapters and miscellaneous FRU	FRU#	CRU
Soft Modem V.90/V.44 (models CTO)	29R9729	*
PCI-E DVI-D Connection Adapter (ADD 2-R) (Full Height) (models CTO DAG EAG 7BG 7CG)	39J9334	*
Speakers, Jazz Infinity Active T1 (Black) (models CTO)	89P8589	*
Speaker Power brick - US, Canada, LA (low voltage), Taiwan, Phillipines, Thailand (models CTO-U CTO-L CTO-A)	89P8571	*
Speaker Power brick - UK, Hong Kong (British version), ASEAN (models CTO-A)	89P8573	*
Speaker Brick - Europe and LA (high voltage) (models CTO-G CTO-L)	89P8575	*
Speaker Power brick (newer 2 prong) - China, Thailand, Phillipines (models CTO B3B B3H D2B D2H G2B G2H)	89P8581	*
Speaker Power brick - ANZ (models CTO-A)	89P8579	*
Speaker Power brick - Brazil (models CTO-L)	89P8583	*
Speaker Power brick - India, South Africa (models CTO-A CTO-G)	89P8585	*
Speaker Power brick - Argentina (models CTO-L)	41A4901	*
RJ11 connector adapter (Spain, Ireland) (All "G" models)	60H6043	*
RJ11 connector adapter (Austria) (All "G" models)	60H6045	*
RJ11 connector adapter (Belgium) (All "G" models)	60H6046	*

<b>8298 Adapters and miscellaneous FRU</b>	<b>FRU#</b>	<b>CRU</b>
RJ11 connector adapter (Denmark) (All "G" models)	60H6047	*
RJ11 connector adapter (Norway, Finland) (All "G" models)	60H6048	*
RJ11 connector adapter (France) (All "G" models)	60H6049	*
RJ11 connector adapter (Germany) (All "G" models)	60H6050	*
RJ11 connector adapter (UK, NZ, HK) (All "G", "M", "B", "H" models)	60H6051	*
RJ11 connector adapter (Italy) (All "G" models)	60H6052	*
RJ11 connector adapter (Netherlands) (All "G" models)	60H6053	*
RJ11 connector adapter (Sweden) (All "G" models)	60H6054	*
RJ11 connector adapter (Switzerland) (All "G" models)	60H6055	*

<b>8298 Power Cords</b>	<b>FRU#</b>	<b>CRU</b>
Power cord - US (models CTO-U A1S A1L A2S A2L A4S A4L A5S A5L B2S B2L B3S B3L 21S 21L 22S 22L D5A D5T D6A D6T D8S D8L D9S D9L E1A E1T E3A E3T E7S E7L E8S E8L E9S E9L F3S F3L F4S F4L F5S F5L 41S 41L 41A 41T 46S 46L 4AA 4AT 4LS 4LL 4MS 4ML B5S 51S 51A 51T 52S 53S 54U 54F 55U 55F 56S 57S 58S 31S 32S 33S 35U 35F G4S GCS 92U 92F 93U 93F J1S J2S J3S J4U J4F 88S 89S 8AS)	39M5080	*
Power cord - China (models 51C 58C 33C DCC 94C J2C 89C)	39M5205	*
Power cord - Japan (models AEJ AFJ AGJ AHJ AJJ AKJ ALJ AMJ ANJ APJ ARJ ASJ A6J A7J A8J A9J AAJ ABJ ACJ ADJ 42J 43J 44J 45J 46J 47J 48J 49J 4AJ 4BJ 4CJ 4DJ 4EJ 4FJ 4GJ 4HJ BAJ BBJ BCJ BDJ B6J B7J B8J B9J 4NJ 4PJ 4QJ 4RJ 4SJ 4TJ G4J G5J G6J G7J G8J G9J GAJ GBJ 51J)	39M5193	*
Power cord - Brazil (models CTO-L A1P A2P A4P A5P B2P B3P 21P 22P D8P D9P E7P E8P E9P F3P F4P F5P 41P 46P 4LP 4MP)	39M5232	*
Power cord - LA High Volt (APU) (models CTO-L A1L A1Y A2L A2Y A4L A4Y A5L A5Y B2L B2Y B3L B3Y 21L 21Y 22L 22Y D8L D8Y D9L D9Y E7L E7Y E8L E8Y E9L E9Y F3L F3Y F4L F4Y F5L F5Y 41L 41Y 46L 46Y 4LL 4LY 4ML 4MY B5Y 51Y 52Y 53Y 56Y 57Y 58Y 31Y 32Y 33Y G4Y GCY J1Y J2Y J3Y 88Y 89Y 8AY)	39M5067	*
Power cord - Australia/New Zealand (models CTO-A)	39M5102	*
Power cord - Korea (models D1K D3K D3R D4K D4R E2K E2R E5K E5R 4JK 4KK H1K H1R)	39M5212	*
Power cord - Hong Kong (models CTO-A B5B B5H D5B D5H G2B G2H 82B 82H 91B 91H 61B 61H 51B 51H 58B 58H 33B 33H DCB DCH 94B 94H J2B J2H 89B 89H)	39M5151	*
Power cord - UK, Ireland, Singapore, Malaysia, Brunei (models CTO-G CTO-A D5A D6A DAG E1A E3A EAG 71G 72G 73G 74G 75G 41A 4AA 76G 77G 78G 79G 7AG 51A 7BG 7CG 7DG)	39M5150	*
Power cord - Taiwan (models A3V B1V B4V D2V E6V G3V 83V DBV GDV 84V)	39M5246	*
Power cord - Italy (models CTO-G A1S A1L A1Y A2S A2L A2Y A4S A4L A4Y A5S A5L A5Y B2S B2L B2Y B3S B3L B3Y 21S 21L 21Y 22S 22L 22Y D8S D8L D8Y D9S D9L D9Y DAG E7S E7L E7Y E8S E8L E8Y E9S E9L E9Y EAG F3S F3L F3Y F4S F4L F4Y F5S F5L F5Y 71G 72G 73G 74G 75G 41S 41L 41Y 46S 46L 46Y 4LS 4LL 4LY 4MS 4ML 4MY 76G 77G 78G 79G 7AG B5S B5Y 51S 51Y 52S 52Y 53S 53Y 56S 56Y 57S 57Y 58S 58Y 31S 31Y 32S 32Y 33S 33Y G4S G4Y GCS GCY J1S J1Y J2S J2Y J3S J3Y 7BG 7CG 7DG 88S 88Y 89S 89Y 8AS 8AY)	39M5164	*
Power cord - G models (models CTO-G D5A D6A DAG E1A E3A EAG 71G 72G 73G 74G 75G 41A 4AA 76G 77G 78G 79G 7AG 51A 7BG 7CG 7DG)	39M5122	*
Power cord - Denmark (models CTO-G DAG EAG 71G 72G 73G 74G 75G 76G 77G 78G 79G 7AG 7BG 7CG 7DG)	39M5129	*
Power cord - Switzerland (models CTO-G DAG EAG 71G 72G 73G 74G 75G 76G 77G 78G 79G 7AG 7BG 7CG 7DG)	39M5157	*

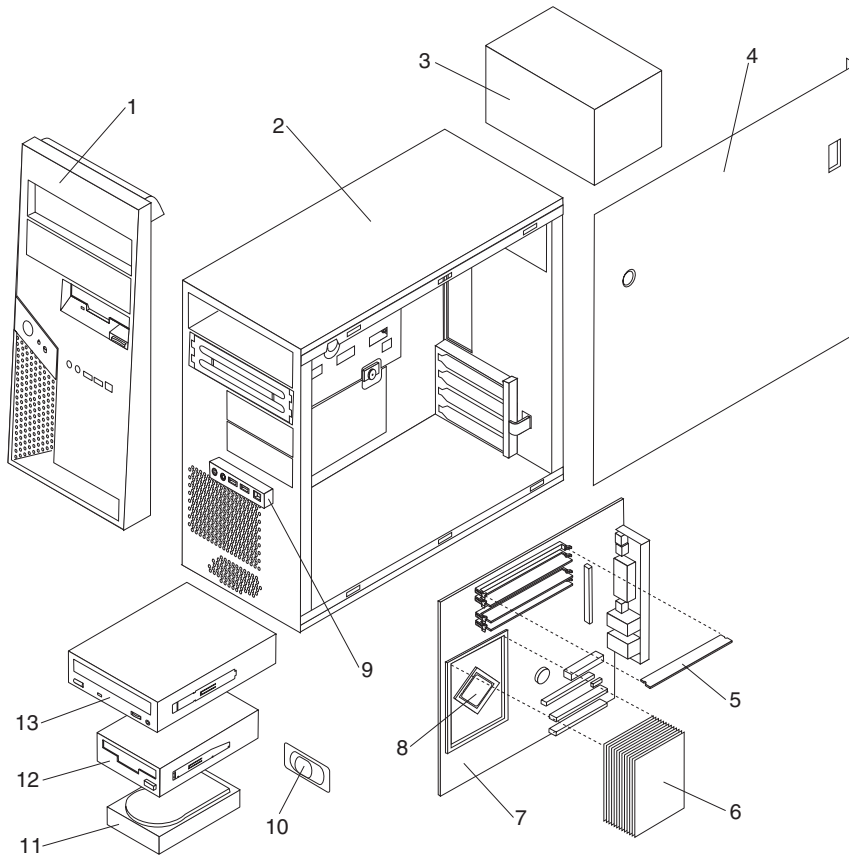
8298 Power Cords	FRU#	CRU
Power cord - Israel (models CTO-G DAG EAG 71G 72G 73G 74G 75G 76G 77G 78G 79G 7AG 7BG 7CG 7DG)	39M5171	*
Power cord - South Africa (models CTO-G D5A D6A DAG E1A E3A EAG 71G 72G 73G 74G 75G 41A 4AA 76G 77G 78G 79G 7AG 51A 7BG 7CG 7DG)	39M5143	*
Power cord - India (models CTO-A D5Q D6Q D7Q E1Q E3Q E4Q F1Q F2Q G1Q 41Q 4AQ 81Q A4Q 2YQ 62Q G2Q)	39M5004	*

8298 Windows XP Home Recovery CDs	FRU#	CRU
Korean (models D1K)	39T9194	*
Japanese (models AEJ AFJ ALJ AMJ)	41W2574	*

8298 Windows XP Pro Recovery CDs	FRU#	CRU
US/UK/AP/TH (models A1L A2L A4L A5L B2L B3L B5H 21L 22L D3R D4R D5A D5Q D5T D5H D6A D6Q D6T D7Q D8L D9L DAG E1A E1Q E1T E2R E3A E3Q E3T E4Q E5R E7L E8L E9L EAG F1Q F2Q F3L F4L F5L G1Q G2H 71G 72G 73G 74G 75G 41L 41A 41Q 41T 46L 4AA 4AQ 4AT 4LL 4ML H1R 81Q 82H 91H 76G 77G 78G 79G 7AG A4Q 2YQ 61H 62Q G2Q 51A 51T 51H 54U 55U 58H 33H 35U DCH 92U 93U 94H J2H J4U 7BG 7CG 7DG 89H)	41T1809	*
RE (models DAG EAG 71G 72G 73G 74G 75G 76G 77G 78G 79G 7AG 7BG 7CG 7DG)	41T4985	*
FR/CF (models DAG EAG 71G 72G 73G 74G 75G 76G 77G 78G 79G 7AG 54F 55F 35F 92F 93F J4F 7BG 7CG 7DG)	41T4134	*
GR (models DAG EAG 71G 72G 73G 74G 75G 76G 77G 78G 79G 7AG 7BG 7CG 7DG)	41T4135	*
SP/LA (models A1S A1Y A2S A2Y A4S A4Y A5S A5Y B2S B2Y B3S B3Y 21S 21Y 22S 22Y D8S D8Y D9S D9Y DAG E7S E7Y E8S E8Y E9S E9Y EAG F3S F3Y F4S F4Y F5S F5Y 71G 72G 73G 74G 75G 41S 41Y 46S 46Y 4LS 4LY 4MS 4MY 76G 77G 78G 79G 7AG B5S B5Y 51S 51Y 52S 52Y 53S 53Y 56S 56Y 57S 57Y 58S 58Y 31S 31Y 32S 32Y 33S 33Y G4S G4Y GCS GCY J1S J1Y J2S J2Y J3S J3Y 7BG 7CG 7DG 88S 88Y 89S 89Y 8AS 8AY)	41T4136	*
IT (models DAG EAG 71G 72G 73G 74G 75G 76G 77G 78G 79G 7AG 7BG 7CG 7DG)	41T4137	*
BR (models DAG EAG F5P 4MP)	41T4138	*
SV (models DAG EAG 71G 72G 73G 74G 75G 76G 77G 78G 79G 7AG 7BG 7CG 7DG)	41T4139	*
DK (models DAG EAG 71G 72G 73G 74G 75G 76G 77G 78G 79G 7AG 7BG 7CG 7DG)	41T4991	*
FI (models DAG EAG 71G 72G 73G 74G 75G 76G 77G 78G 79G 7AG 7BG 7CG 7DG)	41T4997	*
NO (models DAG EAG 71G 72G 73G 74G 75G 76G 77G 78G 79G 7AG 7BG 7CG 7DG)	41T5003	*
NL (models DAG EAG 71G 72G 73G 74G 75G 76G 77G 78G 79G 7AG 7BG 7CG 7DG)	41T5009	*
HE (models DAG EAG 71G 72G 73G 74G 75G 76G 77G 78G 79G 7AG 7BG 7CG 7DG)	41T5015	*
PL (models DAG EAG 71G 72G 73G 74G 75G 76G 77G 78G 79G 7AG 7BG 7CG 7DG)	41T5021	*
CZ (models DAG EAG 71G 72G 73G 74G 75G 76G 77G 78G 79G 7AG 7BG 7CG 7DG)	41T5027	*
AE (models DAG EAG 71G 72G 73G 74G 75G 76G 77G 78G 79G 7AG 7BG 7CG 7DG)	41T5033	*
RU (models DAG EAG 71G 72G 73G 74G 75G 76G 77G 78G 79G 7AG 7BG 7CG 7DG)	41T5039	*
TR (models DAG EAG 71G 72G 73G 74G 75G 76G 77G 78G 79G 7AG 7BG 7CG 7DG)	41T5045	*
HU (models DAG EAG 71G 72G 73G 74G 75G 76G 77G 78G 79G 7AG 7BG 7CG 7DG)	41T5051	*
PO (models DAG EAG 71G 72G 73G 74G 75G 76G 77G 78G 79G 7AG 7BG 7CG 7DG)	41T5057	*
GK (models DAG EAG 71G 72G 73G 74G 75G 76G 77G 78G 79G 7AG 7BG 7CG 7DG)	41T5063	*
SL (models DAG EAG 71G 72G 73G 74G 75G 76G 77G 78G 79G 7AG 7BG 7CG 7DG)	41T5069	*
Simplified Chinese (models 51C 58C 33C DCC 94C J2C 89C)	39T9138	*

8298 Windows XP Pro Recovery CDs	FRU#	CRU
Taiwan-TC (models A3V B1V B4V D2V E6V G3V 83V DBV GDV 84V)	39T9154	*
Hong Kong-TC (models B5B D5B G2B 82B 91B 61B 51B 58B 33B DCB 94B J2B 89B)	39T9170	*
Korea (models D3K D4K E2K E5K 4JK 4KK H1K)	39T9186	*
Japanese (models AGJ AHJ AJJ AKJ ANJ APJ ARJ ASJ A6J A7J A8J A9J AAJ ABJ ACJ ADJ 42J 43J 44J 45J 46J 47J 48J 49J 4AJ 4BJ 4CJ 4DJ 4EJ 4FJ 4GJ 4HJ BAJ BBJ BCJ BDJ B6J B7J B8J B9J 4NJ 4PJ 4QJ 4RJ 4SJ 4TJ G4J G5J G6J G7J G8J G9J GAJ GBJ 51J)	41W2566	*
Multilingual 1 (models DAG EAG 71G 72G 73G 74G 75G 76G 77G 78G 79G 7AG 7BG 7CG 7DG)	41T4206	*
Multilingual 2 (models DAG EAG 71G 72G 73G 74G 75G 76G 77G 78G 79G 7AG 7BG 7CG 7DG)	41T5159	*

## Machine Type 8299



Item #	8299 FRUs	FRU#	CRU
1	Bezel Asm (all models)	41A7807	*
2	Chassis Asm (all models)	41A7808	N
3	Power supply, 310 W, standard (models CTO)	24R2596	**
3	Power supply, 310 W, standard, DMO (models CTO)	41N3143	**
3	Power supply, 310 W, Japan, DMO (models CTO)	41N3369	**
3	Power supply, 310 W (China) (models CTO B1C B2C D1C E1C G1C)	24R2598	**



Item #	8299 FRUs	FRU#	CRU
3	Power supply, 310 W, Robust, DMO (models CTO B1C B2C D1C E1C G1C 81C 51C 91C 83C)	41N3366	**
4	Cover (all models)	39M0465	*
5	Memory module, 256MB, DDR2 SDRAM, NP (PC 4200) (models CTO B1C B2C D1C E1C)	30R5120	*
5	Memory module, 512MB, DDR2 SDRAM, NP (PC 4200) (models CTO G1C 81C 51C 91C 83C)	30R5121	*
5	Memory module, 1GB, DDR2 SDRAM, NP (PC 4200) (models CTO)	30R5122	*
5	Memory module, 2GB, DDR2 SDRAM, NP (PC 4200) (models CTO)	30R5123	*
6	Heat sink (all models)	39M0538	**
7	System board, (models CTO B1C B2C D1C E1C G1C 81C 51C 91C 83C)	41X0161	N
8	Microprocessor, Celeron 2.53GHz, 533 FSB, 256KB L2 (models CTO)	39J7016	**
8	Microprocessor, Celeron 2.66GHz, 533 FSB, 256KB L2 (models CTO)	39J7017	**
8	Microprocessor, Celeron 2.80GHz, 533 FSB, 256KB L2 (models CTO)	39J7018	**
8	Microprocessor, Celeron 2.93GHz, 533 FSB, 256KB L2 (models CTO B1C)	39J7019	**
8	Microprocessor, Celeron 3.06GHz, 533 FSB, 256KB L2 (models CTO B2C)	39J7020	**
8	Microprocessor, Celeron 3.20GHz, 533 FSB, 256KB L2 (models CTO)	39J9696	**
8	Microprocessor, Pentium 4 2.66GHz, 533 FSB, 1MB L2 (models CTO)	41D0690	**
8	Microprocessor, Pentium 4 2.93GHz, 533 FSB, 1MB L2 (models CTO)	41D0692	**
8	Microprocessor, Pentium 4 3.06GHz, 533 FSB, 1MB L2 (models CTO)	41D0694	**
8	Microprocessor, Pentium 4 2.8GHz, 800 FSB, 1MB L2 (models CTO)	39J7021	**
8	Microprocessor, Pentium 4 3.0GHz, 800 FSB, 1MB L2 (models CTO 51C)	39J7022	**
8	Microprocessor, Pentium 4 3.2GHz, 800 FSB, 1MB L2 (models CTO)	39J7023	**
8	Microprocessor, Pentium 4 3.4GHz, 800 FSB, 1MB L2 (models CTO)	39J7024	**
8	Microprocessor, Pentium 4 3.0GHz, 800 FSB, 2MB L2 (models CTO D1C)	39J7025	**
8	Microprocessor, Pentium 4 3.0GHz, Cedar Mill 800 FSB, 2MB L2 (models CTO)	41D5054	**
8	Microprocessor, Pentium 4 3.2GHz, 800 FSB, 2MB L2 (models CTO E1C)	39J7026	**
8	Microprocessor, Pentium 4 3.2GHz, Cedar Mill 800 FSB, 2MB L2 (models CTO)	41D5056	**
8	Microprocessor, Pentium 4 3.4GHz, 800 FSB, 2MB L2 (models CTO)	39J7027	**
8	Microprocessor, Pentium 4 3.4GHz, Cedar Mill 800 FSB, 2MB L2 (models CTO)	41D5058	**
8	Microprocessor, Pentium 4 3.6GHz, Cedar Mill 800 FSB, 2MB L2 (models CTO)	41D5060	**
8	Microprocessor, Smithfield Pentium 4 2.8.4GHz, 800 FSB, 2x1MB L2 (models CTO G1C)	39J8469	**
8	Microprocessor, Pentium 4 2.8GHz, Presler 800 FSB, 2x2MB L2 (models CTO 81C)	41D5062	**
8	Microprocessor, Pentium D, 3.0 GHz, 800MHz FSB, 2MBx2 L2 (models CTO 83C)	TBD	**
8	Microprocessor, Pentium D, 3.0GHz, 800MHz FSB, 2MBx2 L2 (models CTO)	41D5052	**
8	Microprocessor, Pentium D Processor 3.2 GHz 800 FSB 2MBx2 L2 C1-Value (models CTO 91C)	TBD	**
9	Front panel card Asm (all models)	26K1183	**
10	Speaker Asm, Soldered Terminals all (models)	39P5023	**
11	Hard disk drive, 40GB, 7200RPM, Serial ATA (models CTO)	40Y9033	**
11	Hard disk drive, 40GB, 7200RPM, Serial ATA (models CTO)	40Y8760	**

Item #	8299 FRUs	FRU#	CRU
11	Hard disk drive, 80GB, 7200RPM, Serial ATA (models CTO B1C B2C D1C E1C 51C)	40Y9034	**
11	Hard disk drive, 80GB, 7200RPM, Serial ATA (models CTO B1C B2C D1C E1C 51C)	40Y8761	**
11	Hard disk drive, 160GB, 7200RPM, Serial ATA (models CTO G1C 91C 83C)	40Y8762	**
11	Hard disk drive, 160GB, 7200RPM, Serial ATA (models CTO G1C 91C 83C)	40Y9035	**
11	Hard disk drive, 250GB, 7200RPM, Serial ATA (models CTO)	40Y8763	**
11	Hard disk drive, 250GB, 7200RPM, Serial ATA (models CTO)	40Y9036	**
12	Diskette drive, 1.44MB, 3-mode, w/o bezel (models CTO B1C B2C D1C E1C G1C 81C 51C 91C 83C)	40Y9107	*
12	Diskette drive, 1.44MB, 3-mode, w/o bezel (models CTO B1C B2C D1C E1C G1C 81C 51C 91C 83C)	40Y9105	*
12	Diskette drive, 1.44MB, 3-mode, w/o bezel (models CTO B1C B2C D1C E1C G1C 81C 51C 91C 83C)	40Y9113	*
13	CD-ROM drive 48X (models CTO B1C D1C 51C)	40Y8955	*
13	CD-ROM drive 48X (models CTO B1C D1C 51C)	40Y8929	*
13	CD-ROM drive 48X (models CTO B1C D1C 51C)	40Y8953	*
13	CD-ROM drive 48X (models CTO B1C D1C 51C)	40Y8807	*
13	CD-RW drive (48X/32X/48X) (models CTO)	40Y8901	*
13	CD-RW drive (48X/32X/48X) (models CTO)	40Y8937	*
13	DVD-ROM (16X/48X) - black (models CTO B2C E1C)	40Y8931	*
13	DVD-ROM (16X/48X) - black (models CTO B2C E1C)	40Y8933	*
13	DVD-ROM (16X/48X) - black (models CTO B2C E1C)	40Y8935	*
13	DVD-ROM (16X/48X) - black (models CTO B2C E1C)	40Y8957	*
13	CD-RW/DVD-ROM Combo drive (48X/32X/48X/16X Max) (models CTO G1C 81C 91C 83C)	40Y8919	*
13	CD-RW/DVD-ROM Combo drive (48X/32X/48X/16X Max) (models CTO G1C 81C 91C 83C)	40Y8941	*
13	Multiburner Plus (models CTO)	40Y8909	*

The FRUs listed in the following table are not illustrated.

8299 FRUs	FRU#	CRU
Shield, 5.25 EMC (all models)	39M0460	*
Cable, SATA (18-inch RoHs) (all models)	26K1186	*
Hard disk drive mounting bracket (all models)	39M0461	*
Cable, serial (all models)	39K5021	*
EMC shield, diskette drive (all models)	39M0464	*
Cable, diskette drive (RoHs) (all models)	26K1184	*
Fan duct Asm (all models)	39M0470	*
Power switch/LED Asm (all models)	39M0471	**
Device retaining clips (all models)	39M0473	**
Shield, system board (all models)	39M0476	N

8299 FRUs	FRU#	CRU
Miscellaneous hardware kit (all models)	39M0477	**
Cable, 1394 panel mount (all models)	39M0478	**
RM kit (all models)	39K5046	N
Cable, 2 Drop IDE (all models)	39M0516	*
Hard Disk Drive Tray w/screws (all models)	39M0491	**
Universal Adapter Bracket 5.25 to 3.5-inch (all models)	32P4743	*
Battery, 3.0V (all models)	33F8354	*

8299 Keyboard (Preferred Pro, Fullsize, Stealth black)	FRU#	CRU
US English (models CTO-U CTO-G B1C B2C D1C E1C G1C 81C 51C 91C 83C)	89P8300	*
Arabic (models CTO-G)	89P8301	*
Belgian/French (models CTO-G)	89P8302	*
Belgian/UK (models CTO-G)	89P8303	*
Brazil/Portugese (models CTO-L)	89P8304	*
Bulgarian (models CTO-G)	89P8305	*
Czech (models CTO-G)	89P8307	*
Danish (models CTO-G)	89P8308	*
Dutch (models CTO-G)	89P8309	*
French (models CTO-G)	89P8310	*
French Canadian 445 (models CTO-U)	89P8311	*
French Canadian 58 (models CTO-U)	89P8312	*
German (models CTO-G)	89P8313	*
Greek (models CTO-G)	89P8314	*
Hebrew (models CTO-G)	89P8315	*
Hungarian (models CTO-G)	89P8316	*
Iceland (models CTO-G)	89P8317	*
Italian 142 (models CTO-G)	89P8319	*
LA Spanish (models CTO-L)	89P8322	*
Norwegian (models CTO-G)	89P8323	*
Polish (models CTO-G)	89P8324	*
Portuguese (models CTO-G)	89P8325	*
Romanian (models CTO-G)	89P8326	*
Russian/Cyrillic (models CTO-G)	89P8328	*
Serbian/Cyrillic (models CTO-G)	89P8329	*
Slovak (models CTO-G)	89P8330	*
Spanish (models CTO-G)	89P8331	*
Swedish/Finn (models CTO-G)	89P8332	*
Swiss F/G (models CTO-G)	89P8333	*
Thailand (models CTO-A)	89P8334	*
Turkish 440 (models CTO-G)	89P8335	*
Turkish 179 (models CTO-G)	89P8336	*

<b>8299 Keyboard (Preferred Pro, Fullsize, Stealth black)</b>	<b>FRU#</b>	<b>CRU</b>
UK English (models)	89P8337	*
US Euro (models CTO-G)	89P8338	*
Yugoslav/Latin (models CTO-G)	89P8339	*

<b>8299 Keyboards (with fingerprint reader)</b>	<b>FRU#</b>	<b>CRU</b>
US English (models CTO-U CTO-G)	89P9000	*
Arabic (models CTO-G)	89P9001	*
Arabic/French (models CTO-G)	89P9002	*
Belgian/French (models CTO-G)	89P9003	*
Belgian/UK (models CTO-G)	89P9004	*
Brazilian Portuguese (models CTO-L)	89P9005	*
Bulgarian (models CTO-G)	89P9006	*
Chinese/US (models CTO-G)	89P9007	*
Czech (models CTO-G)	89P9008	*
Danish (models CTO-G)	89P9009	*
Dutch (models CTO-G)	89P9010	*
French (models CTO-G)	89P9011	*
French Canadian 445 (models CTO-U)	89P9012	*
French Canadian 58 (models CTO-U)	89P9013	*
German (models CTO-G)	89P9014	*
Greek (models CTO-G)	89P9015	*
Hebrew (models CTO-G)	89P9016	*
Hungarian (models CTO-G)	89P9017	*
Iceland (models CTO-G)	89P9018	*
Italian 141 (models CTO-G)	89P9019	*
LA Spanish (models CTO-L)	89P9022	*
Norwegian (models CTO-G)	89P9023	*
Polish (models CTO-G)	89P9024	*
Portuguese (models CTO-G)	89P9025	*
Romanian (models CTO-G)	89P9026	*
Romanian (models CTO-G)	89P9027	*
Russian/Cyrillic (models CTO-G)	89P9028	*
Serbian/Cyrillic (models CTO-G)	89P9029	*
Slovak (models CTO-G)	89P9030	*
Spanish (models CTO-G)	89P9031	*
Swedish/Finn (models CTO-G)	89P9032	*
Swiss F/G (models CTO-G)	89P9033	*
Thailand (models CTO-A)	89P9034	*
Turkish 440 (models CTO-G)	89P9035	*
Turkish 179 (models CTO-G)	89P9036	*
UK English (models CTO-G)	89P9037	*

8299 Keyboards (with fingerprint reader)	FRU#	CRU
US Euro (models CTO-G)	89P9038	*
Yugoslav/Latin (models CTO-G)	89P9039	*

8299 mice	FRU#	CRU
Mouse, Scrollpoint Optical, USB (models CTO)	41A4933	*
Mouse, Scrollpoint Optical, USB Optical Wheelmouse, USB (all models)	41A4935	*
Mouse, PS2 Wheelmouse (models CTO)	41A4917	*

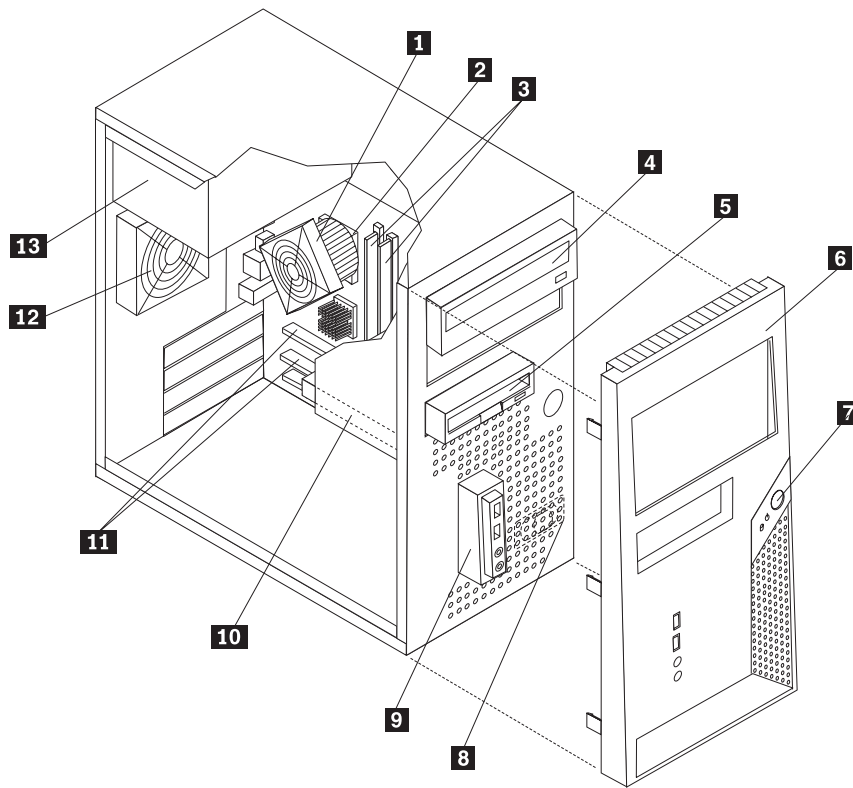
8299 Adapters and miscellaneous FRU	FRU#	CRU
Soft Modem V.90/V.44 (models CTO)	29R9729	*
128MB DDR ATI Radeon x300SE (DMS59 connector) (models CTO)	39J9635	*
128MB DDR ATI RADEON X700 PRO VGA, DVI-I, TV-Out PCI-e BTX (models CTO)	39J6203	*
Nvidia GeForce 6200 P262 w/NV44 (models CTO)	39J6213	*
PCI-E DVI-DConnection Adapter (ADD 2-R) (Full Height) (models CTO)	39J9334	*
1394 Firewire PCI LP (ATX) (models CTO)	41D2781	*
Speakers, Jazz Infinity Active T1 (Black) (models CTO)	89P8589	*
Speaker Power brick - US, Canada, LA (low voltage), Taiwan, Phillipines, Thailand (models CTO-U CTO-L CTO-A)	89P8571	*
Speaker Power brick - UK, Hong Kong (British version), ASEAN (models CTO-A)	89P8573	*
Speaker Brick - Europe and LA (high voltage) (models CTO-G CTO-L)	89P8575	*
Speaker Power brick (newer 2 prong) - China, Thailand, Phillipines (models CTO-A)	89P8581	*
Speaker Power brick - ANZ (models CTO-A)	89P8579	*
Speaker Power brick - Brazil (models CTO-L)	89P8583	*
Speaker Power brick - India, South Africa (models CTO-A CTO-G)	89P8385	*
Speaker Power brick - Argentina (models CTO-L)	41A4901	*
RJ11 connector adapter (Spain, Ireland) (All "G" models)	60H6043	*
RJ11 connector adapter (Austria) (All "G" models)	60H6045	*
RJ11 connector adapter (Belgium) (All "G" models)	60H6046	*
RJ11 connector adapter (Denmark) (All "G" models)	60H6047	*
RJ11 connector adapter (Norway, Finland) (All "G" models)	60H6048	*
RJ11 connector adapter (France) (All "G" models)	60H6049	*
RJ11 connector adapter (Germany) (All "G" models)	60H6050	*
RJ11 connector adapter (UK, NZ, HK) (All "G", "M", "B", "H" models)	60H6051	*
RJ11 connector adapter (Italy) (All "G" models)	60H6052	*
RJ11 connector adapter (Netherlands) (All "G" models)	60H6053	*
RJ11 connector adapter (Sweden) (All "G" models)	60H6054	*
RJ11 connector adapter (Switzerland) (All "G" models)	60H6055	*

8299 Power Cords	FRU#	CRU
Power cord - US (models CTO-U)	39M5080	*
Power cord - China (models B1C B2C D1C E1C G1C 81C 51C 91C 83C)	39M5205	*

8299 Power Cords	FRU#	CRU
Power cord - Brazil (models CTO-L)	39M5232	*
Power cord - LA High Volt (APU) (models CTO-L)	39M5067	*
Power cord - Australia/New Zealand (models CTO-A)	39M5102	*
Power cord - Hong Kong (models CTO-A)	39M5151	*
Power cord - UK, Ireland, Singapore, Malaysia, Brunei (models CTO-G CTO-A)	39M5150	*
Power cord - Italy (models CTO-G)	39M5164	*
Power cord - G models (models CTO-G)	39M5122	*
Power cord - Denmark (models CTO-G)	39M5129	*
Power cord - Switzerland (models CTO-G)	39M5157	*
Power cord - Israel (models CTO-G)	39M5171	*
Power cord - South Africa (models CTO-G)	39M5143	*
Power cord - India (models CTO-A)	39M5004	*

8299 Windows XP Pro Recovery CDs	FRU#	CRU
Simplified Chinese (models B2C E1C G1C 81C 91C 83C)	39T9138	*

## Machine Type 8326



Item #	8326 FRUs	FRU#	CRU
1	Intel-Circular Radial Fin Fansink for 84W CPUs (all models)	41D3552	N
2	Microprocessor 2.53GHZ Celeron Prescott P4 (533 FSB, 256KB) (models CTO)	41T1693	**

Item #	8326 FRUs	FRU#	CRU
2	Microprocessor 2.66GHZ Celeron Prescott P4 (533 FSB, 256KB) (models CTO)	41T1694	**
2	Microprocessor 2.8GHZ Celeron Prescott P4 (533 FSB, 256KB) (models CTO A1A A1Q A1T A1C A2V 71G 72G)	41T1695	**
2	Microprocessor 2.93GHZ Celeron Prescott P4 (533 FSB, 256KB) (models CTO B1V 77G)	41T1696	**
2	Microprocessor 3.06GHZ Celeron Prescott P4 (533 FSB, 256KB) (models CTO B2V 7AG)	41T1697	**
2	Microprocessor 3.20GHZ Celeron Prescott P4 (533 FSB, 256KB) (models CTO)	41T1698	**
2	Microprocessor 2.66GHZ Prescott P4 (533 FSB, 1MB) (models CTO 27Q 28Q)	41T1706	**
2	Microprocessor 2.93GHZ Prescott P4 (533 FSB, 1MB) (models CTO)	41T1707	**
2	Microprocessor 3.06GHZ Prescott P4 (533 FSB, 1MB) (models CTO 21A 21Q 21T 22A 22Q 22T)	41T1708	**
2	Microprocessor 2.8GHZ Prescott P4 (800 FSB, 1MB) (models CTO 41A 41Q 41T 42A 42Q 42T)	41T1700	**
2	Microprocessor, Pentium 4 3.06GHz 533MHz FSB 1MB L2 (models CTO 43A 43T 7BG)	41T4104	**
2	Microprocessor 3.0GHZ Prescott P4 (800 FSB, 1MB) (models CTO 51C)	41T1701	**
2	Microprocessor 3.2GHZ Prescott P4 (800 FSB, 1MB) (models CTO)	41T1702	**
2	Microprocessor 3.4GHZ Prescott P4 (800 FSB, 1MB) (models CTO)	41T1703	**
2	Microprocessor 2.8GHZ Prescott P4 (800 FSB, 2MB) (models CTO 78G 61Q)	41X2412	**
2	Microprocessor 3.0GHZ Prescott P4 (800 FSB, 2MB) (models CTO D1C D2C D3A D3Q D3T D4A D4Q D4T 73G 74G 79G)	41T1709	**
2	Microprocessor 3.0GHZ Cedar Mill P4 (800 FSB, 2MB) (models CTO)	41T1712	**
2	Microprocessor 3.2GHZ Prescott P4 (800 FSB, 2MB) (models CTO E1C E2C E3A E3Q E3T E4A E4Q E4T 75G)	41T1710	**
2	Microprocessor 3.2GHZ Cedar Mill P4 (800 FSB, 2MB) (models CTO)	41T1713	**
2	Microprocessor 3.4GHZ Prescott P4 (800 FSB, 2MB) (models CTO 76G)	41T1711	**
2	Microprocessor 3.4GHZ Cedar Mill P4 (800 FSB, 2MB) (models CTO)	41T1714	**
2	Microprocessor 3.6GHZ Cedar Mill P4 (800 FSB, 2MB) (models CTO)	41T1715	**
2	Microprocessor 2.8GHZ Smithfield P4 (800 FSB, 2x1MB) (models CTO G1Q G2U G2A G2T G3Q 7CG 7DG 7EG)	41T1704	**
2	Microprocessor, Pentium D Processor 2.8 GHz 800 FSB 2MBx2 L2 C1-Value (models CTO 7FG)	TBD	**
2	Microprocessor 2.8GHZ Presler P4 (800 FSB, 2x2MB) (models CTO)	41T1716	**
2	Microprocessor 3.0GHZ Presler P4 (800 FSB, 2x2MB) (models CTO)	41T1717	**
2	Microprocessor, Pentium D Processor 3.2 GHz 800 FSB 2MBx2 L2 C1-Value (models CTO 7GG)	TBD	**
3	Memory module, 256MB DDR2 SDRAM NP Memory PC 4200) (models CTO A1A A1Q A1T A1C A2V B1V B2V 21A 21Q 21T 22A 22Q 22T D1C D2C D3A D3Q D3T D4A D4Q D4T E1C E2C E3A E3Q E3T E4A E4Q E4T 71G 72G 41A 41Q 41T 77G 7AG 27Q 28Q 61Q G1Q 51C)	30R5120	*
3	Memory module, 512MB DDR2 SDRAM NP Memory PC 4200) (models CTO 73G 74G 75G 76G 42A 42Q 42T 78G 79G G2U G2A G2T 43A 43T G3Q 7BG 7CG 7DG 7EG 7FG 7GG)	30R5121	*
3	Memory module, 1GB DDR2 SDRAM NP Memory PC 4200) (models CTO)	30R5122	*
3	Memory module, 2GB DDR2 SDRAM NP Memory PC 4200) (models CTO)	30R5123	*

Item #	8326 FRUs	FRU#	CRU
3	Memory module, 256MB DDR2 SDRAM NP Memory PC 5300) (models CTO)	30R5124	*
3	Memory module, 512MB DDR2 SDRAM NP Memory PC 5300) (models CTO)	30R5125	*
3	Memory module, 1GB DDR2 SDRAM NP Memory PC 5300) (models CTO)	30R5126	*
4	CD-ROM drive 48X (models CTO A1A A1Q A1T A1C 21A 21Q 21T D1C D2C D3A D3Q D3T E1C E2C E3A E3Q E3T 41A 41Q 41T 27Q 28Q 61Q G1Q 51C G3Q)	40Y8955	*
4	CD-ROM drive 48X (models CTO A1A A1Q A1T A1C 21A 21Q 21T D1C D2C D3A D3Q D3T E1C E2C E3A E3Q E3T 41A 41Q 41T 27Q 28Q 61Q G1Q 51C G3Q)	40Y8929	*
4	CD-ROM drive 48X (models CTO A1A A1Q A1T A1C 21A 21Q 21T D1C D2C D3A D3Q D3T E1C E2C E3A E3Q E3T 41A 41Q 41T 27Q 28Q 61Q G1Q 51C G3Q)	40Y8953	*
4	CD-ROM drive 48X (models CTO A1A A1Q A1T A1C 21A 21Q 21T D1C D2C D3A D3Q D3T E1C E2C E3A E3Q E3T 41A 41Q 41T 27Q 28Q 61Q G1Q 51C G3Q)	40Y8807	*
4	CD-RW drive (48/32X/48X) (models CTO 22A 22Q 22T D4A D4Q D4T E4A E4Q E4T)	40Y8901	*
4	CD-RW drive (48/32X/48X) (models CTO 22A 22Q 22T D4A D4Q D4T E4A E4Q E4T)	40Y8937	*
4	DVD-ROM drive (16X/48X) - black (models CTO A2V B1V B2V 71G 72G 73G 74G 77G 78G 79G 7AG 7BG 7CG)	40Y8931	*
4	DVD-ROM drive (16X/48X) - black (models CTO A2V B1V B2V 71G 72G 73G 74G 77G 78G 79G 7AG 7BG 7CG)	40Y8933	*
4	DVD-ROM drive (16X/48X) - black (models CTO A2V B1V B2V 71G 72G 73G 74G 77G 78G 79G 7AG 7BG 7CG)	40Y8935	*
4	DVD-ROM drive (16X/48X) - black (models CTO A2V B1V B2V 71G 72G 73G 74G 77G 78G 79G 7AG 7BG 7CG)	40Y8957	*
4	CD-RW/DVD-ROM Combo drive (48X/32X/48X/16X Max) (models CTO 75G 76G 42A 42Q 42T G2U G2A G2T 43A 43T 7DG 7EG 7FG 7GG)	40Y8919	*
4	CD-RW/DVD-ROM Combo drive (48X/32X/48X/16X Max) (models CTO 75G 76G 42A 42Q 42T G2U G2A G2T 43A 43T 7DG 7EG 7FG 7GG)	40Y8941	*
4	Multiburner Plus (models CTO)	40Y8909	*
5	Diskette drive, 3,5", 1.44MB, 3Mode,(wo/bezel) (models CTO A1A A1Q A1T A1C A2V B1V B2V 21A 21Q 21T 22A 22Q 22T D1C D2C D3A D3Q D3T D4A D4Q D4T E1C E2C E3A E3Q E3T E4A E4Q E4T 71G 72G 41A 41Q 41T 42A 42Q 42T 77G 7AG 27Q 28Q 61Q G1Q G2U G2A G2T 43A 43T 51C G3Q 7BG)	40Y9107	*
5	Diskette drive, 3,5", 1.44MB, 3Mode,(wo/bezel) (models CTO A1A A1Q A1T A1C A2V B1V B2V 21A 21Q 21T 22A 22Q 22T D1C D2C D3A D3Q D3T D4A D4Q D4T E1C E2C E3A E3Q E3T E4A E4Q E4T 71G 72G 41A 41Q 41T 42A 42Q 42T 77G 7AG 27Q 28Q 61Q G1Q G2U G2A G2T 43A 43T 51C G3Q 7BG)	40Y9105	*
5	Diskette drive, 3,5", 1.44MB, 3Mode,(wo/bezel) (models CTO A1A A1Q A1T A1C A2V B1V B2V 21A 21Q 21T 22A 22Q 22T D1C D2C D3A D3Q D3T D4A D4Q D4T E1C E2C E3A E3Q E3T E4A E4Q E4T 71G 72G 41A 41Q 41T 42A 42Q 42T 77G 7AG 27Q 28Q 61Q G1Q G2U G2A G2T 43A 43T 51C G3Q 7BG)	40Y9113	*
6	Bezel assembly (all models)	41A7185	**
7	Power switch/LED assembly (RoHs) (all models)	41N5284	**
8	Speaker assembly, Soldered terminals ( all models)	39P5023	**
9	Front audio/USB assembly (all models)	41A7187	**
10	Hard disk drive, 40GB (7200RPM), Serial ATA (models CTO)	40Y9033	*
10	Hard disk drive, 40GB (7200RPM), Serial ATA (models CTO)	40Y8760	*



Item #	8326 FRUs	FRU#	CRU
10	Hard disk drive, 80GB (7200RPM), Serial ATA (models CTO A1A A1Q A1T A1C A2V B1V B2V 21A 21Q 21T 22A 22Q 22T D1C D2C D3A D3Q D3T D4A D4Q D4T E1C E2C E3A E3Q E3T E4A E4Q E4T 71G 72G 73G 74G 75G 76G 41A 41Q 41T 42A 42Q 42T 77G 78G 79G 7AG 27Q 28Q 61Q G1Q G2U G2A G2T 43A 43T 51C G3Q 7BG 7CG 7DG 7FG 7GG)	40Y9034	*
10	Hard disk drive, 80GB (7200RPM), Serial ATA (models CTO A1A A1Q A1T A1C A2V B1V B2V 21A 21Q 21T 22A 22Q 22T D1C D2C D3A D3Q D3T D4A D4Q D4T E1C E2C E3A E3Q E3T E4A E4Q E4T 71G 72G 73G 74G 75G 76G 41A 41Q 41T 42A 42Q 42T 77G 78G 79G 7AG 27Q 28Q 61Q G1Q G2U G2A G2T 43A 43T 51C G3Q 7BG 7CG 7DG 7FG 7GG)	40Y8761	*
10	Hard disk drive, 160GB (7200RPM), Serial ATA (models CTO 7EG)	40Y8762	*
10	Hard disk drive, 160GB (7200RPM), Serial ATA (models CTO 7EG)	40Y9035	*
10	Hard disk drive, 250GB (7200RPM), Serial ATA (models CTO)	40Y8763	*
10	Hard disk drive, 250GB (7200RPM), Serial ATA (models CTO)	40Y9036	*
11	System board, 945GZ (models CTO A1A A1Q A1T A1C A2V B1V B2V 21A 21Q 21T 22A 22Q 22T D1C D2C D3A D3Q D3T D4A D4Q D4T E1C E2C E3A E3Q E3T E4A E4Q E4T 71G 72G 73G 74G 75G 76G 41A 41Q 41T 42A 42Q 42T 77G 78G 79G 7AG 27Q 28Q 61Q G1Q G2U G2A G2T 43A 43T 51C G3Q 7BG 7CG 7DG 7EG 7FG 7GG)	41D2471	*
11	System board, 945GZ (models CTO A1A A1Q A1T A1C A2V B1V B2V 21A 21Q 21T 22A 22Q 22T D1C D2C D3A D3Q D3T D4A D4Q D4T E1C E2C E3A E3Q E3T E4A E4Q E4T 71G 72G 73G 74G 75G 76G 41A 41Q 41T 42A 42Q 42T 77G 78G 79G 7AG 27Q 28Q 61Q G1Q G2U G2A G2T 43A 43T 51C G3Q 7BG 7CG 7DG 7EG 7FG 7GG)	41X2050	*
12	System fan (models)	TBD	**
13	Power supply (230W) (models CTO A1A A1T 21A 21T 22A 22T D3A D3T D4A D4T E3A E3T E4A E4T 71G 72G 73G 74G 75G 76G 41A 41T 42A 42T 77G 78G 79G 7AG G2U G2A G2T 43A 43T 7BG 7CG 7DG 7EG 7FG 7GG)	41N3094	**
13	Power supply (230W) (China) (models CTO-A CTO-L A1Q A1C A2V B1V B2V 21Q 22Q D1C D2C D3Q D4Q E1C E2C E3Q E4Q 41Q 42Q 27Q 28Q 61Q G1Q 51C G3Q)	24R2592	**

The FRUs listed in the following table are not illustrated.

	8326 FRUs	FRU#	CRU
Shield, 5.25 EMC (all models)		41A7178	*
Cable, SATA (18" RoHs) (all models)		26K1186	*
Cable, Serial (all models)		39K5021	*
Diskette drive EMC Shield (all models)		41A7180	*
Cable, Diskette drive (RoHs) (all models)		41A7182	*
Cover, left side (all models)		41A7183	*
Chassis assembly (all models)		41A7184	*
I/O Shield - Tamdhu Park (all models)		41A7189	N
Kit, Misc. Hardware (all models)		41A7188	**
Retention Module Kit (RoHs) (all models)		41A7139	N
2 Drop IDE (all models)		41A7190	**
Bezel, 5.25" blank (all models)		41N8077	*

8326 FRUs	FRU#	CRU
Universal Adapter Bracket 5.25 to 3.5-inch (all models)	32P4743	*
Battery, 3.0V (all models)	33F8354	*

8326 Keyboard (Preferred Pro, Fullsize, Stealth black)	FRU#	CRU
US English (models CTO-U CTO-G A1A A1Q A1C 21A 21Q 22A 22Q D1C D2C D3A D3Q D4A D4Q E1C E2C E3A E3Q E4A E4Q 71G 72G 73G 74G 75G 76G 41A 41Q 42A 42Q 77G 78G 79G 7AG 27Q 28Q 61Q G1Q G2U G2A 43A 51C G3Q 7BG 7CG 7DG 7EG 7FG 7GG)	89P8300	*
Arabic (models CTO-G 71G 72G 73G 74G 75G 76G 77G 78G 79G 7AG 7BG 7CG 7DG 7EG 7FG 7GG)	89P8301	*
Belgian/French (models CTO-G 71G 72G 73G 74G 75G 76G 77G 78G 79G 7AG 7BG 7CG 7DG 7EG 7FG 7GG)	89P8302	*
Belgian/UK (models CTO-G 71G 72G 73G 74G 75G 76G 77G 78G 79G 7AG 7BG 7CG 7DG 7EG 7FG 7GG)	89P8303	*
Brazil/Portugese (models CTO-L)	89P8304	*
Bulgarian (models CTO-G 71G 72G 73G 74G 75G 76G 77G 78G 79G 7AG 7BG 7CG 7DG 7EG 7FG 7GG)	89P8305	*
Chinese/US (models A2V B1V B2V)	89P8306	*
Czech (models CTO-G 71G 72G 73G 74G 75G 76G 77G 78G 79G 7AG 7BG 7CG 7DG 7EG 7FG 7GG)	89P8307	*
Danish (models CTO-G 71G 72G 73G 74G 75G 76G 77G 78G 79G 7AG 7BG 7CG 7DG 7EG 7FG 7GG)	89P8308	*
Dutch (models CTO-G 71G 72G 73G 74G 75G 76G 77G 78G 79G 7AG 7BG 7CG 7DG 7EG 7FG 7GG)	89P8309	*
French (models CTO-G 71G 72G 73G 74G 75G 76G 77G 78G 79G 7AG 7BG 7CG 7DG 7EG 7FG 7GG)	89P8310	*
French Canadian 445 (models CTO-U)	89P8311	*
French Canadian 58 (models CTO-U)	89P8312	*
German (models CTO-G 71G 72G 73G 74G 75G 76G 77G 78G 79G 7AG 7BG 7CG 7DG 7EG 7FG 7GG)	89P8313	*
Greek (models CTO-G 71G 72G 73G 74G 75G 76G 77G 78G 79G 7AG 7BG 7CG 7DG 7EG 7FG 7GG)	89P8314	*
Hebrew (models CTO-G 71G 72G 73G 74G 75G 76G 77G 78G 79G 7AG 7BG 7CG 7DG 7EG 7FG 7GG)	89P8315	*
Hungarian (models CTO-G 71G 72G 73G 74G 75G 76G 77G 78G 79G 7AG 7BG 7CG 7DG 7EG 7FG 7GG)	89P8316	*
Iceland (models CTO-G 71G 72G 73G 74G 75G 76G 77G 78G 79G 7AG 7BG 7CG 7DG 7EG 7FG 7GG)	89P8317	*
Italian 141 (models CTO-G 71G 72G 73G 74G 75G 76G 77G 78G 79G 7AG 7BG 7CG 7DG 7EG 7FG 7GG)	89P8318	*
Italian 142 (models CTO-G 71G 72G 73G 74G 75G 76G 77G 78G 79G 7AG 7BG 7CG 7DG 7EG 7FG 7GG)	89P8319	*
LA Spanish (models CTO-L)	89P8322	*
Norwegian (models CTO-G 71G 72G 73G 74G 75G 76G 77G 78G 79G 7AG 7BG 7CG 7DG 7EG 7FG 7GG)	89P8323	*
Polish (models CTO-G 71G 72G 73G 74G 75G 76G 77G 78G 79G 7AG 7BG 7CG 7DG 7EG 7FG 7GG)	89P8324	*

<b>8326 Keyboard (Preferred Pro, Fullsize, Stealth black)</b>	<b>FRU#</b>	<b>CRU</b>
Portuguese (models CTO-G 71G 72G 73G 74G 75G 76G 77G 78G 79G 7AG 7BG 7CG 7DG 7EG 7FG 7GG)	89P8325	*
Romanian (models CTO-G 71G 72G 73G 74G 75G 76G 77G 78G 79G 7AG 7BG 7CG 7DG 7EG 7FG 7GG)	89P8326	*
Russian/Cyrillic (models CTO-G 71G 72G 73G 74G 75G 76G 77G 78G 79G 7AG 7BG 7CG 7DG 7EG 7FG 7GG)	89P8328	*
Serbian/Cyrillic (models CTO-G 71G 72G 73G 74G 75G 76G 77G 78G 79G 7AG 7BG 7CG 7DG 7EG 7FG 7GG)	89P8329	*
Slovak (models CTO-G 71G 72G 73G 74G 75G 76G 77G 78G 79G 7AG 7BG 7CG 7DG 7EG 7FG 7GG)	89P8330	*
Spanish (models CTO-G 71G 72G 73G 74G 75G 76G 77G 78G 79G 7AG 7BG 7CG 7DG 7EG 7FG 7GG)	89P8331	*
Swedish/Finn (models CTO-G 71G 72G 73G 74G 75G 76G 77G 78G 79G 7AG 7BG 7CG 7DG 7EG 7FG 7GG)	89P8332	*
Swiss F/G (models CTO-G 71G 72G 73G 74G 75G 76G 77G 78G 79G 7AG 7BG 7CG 7DG 7EG 7FG 7GG)	89P8333	*
Thailand (models CTO-A A1T 21T 22T D3T D4T E3T E4T 41T 42T G2T 43T)	89P8334	*
Turkish 440 (models CTO-G 71G 72G 73G 74G 75G 76G 77G 78G 79G 7AG 7BG 7CG 7DG 7EG 7FG 7GG)	89P8335	*
Turkish 179 (models CTO-G 71G 72G 73G 74G 75G 76G 77G 78G 79G 7AG 7BG 7CG 7DG 7EG 7FG 7GG)	89P8336	*
UK English (models CTO-G 71G 72G 73G 74G 75G 76G 77G 78G 79G 7AG 7BG 7CG 7DG 7EG 7FG 7GG)	89P8337	*
US Euro (models CTO-G 71G 72G 73G 74G 75G 76G 77G 78G 79G 7AG 7BG 7CG 7DG 7EG 7FG 7GG)	89P8338	*
Yugoslav/Latin (models CTO-G 71G 72G 73G 74G 75G 76G 77G 78G 79G 7AG 7BG 7CG 7DG 7EG 7FG 7GG)	89P8339	*

<b>8326 Keyboards (with fingerprint reader)</b>	<b>FRU#</b>	<b>CRU</b>
US English (models CTO-U CTO-G)	89P9000	*
Arabic (models CTO-G)	89P9001	*
Arabic/French (models CTO-G)	89P9002	*
Belgian/French (models CTO-G)	89P9003	*
Belgian/UK (models CTO-G)	89P9004	*
Brazilian Portuguese (models CTO-L)	89P9005	*
Bulgarian (models CTO-G)	89P9006	*
Czech (models CTO-G)	89P9008	*
Danish (models CTO-G)	89P9009	*
Dutch (models CTO-G)	89P9010	*
French (models CTO-G)	89P9011	*
French Canadian 445 (models CTO-U)	89P9012	*
French Canadian 58 (models CTO-U)	89P9013	*
German (models CTO-G)	89P9014	*
Greek (models CTO-G)	89P9015	*
Hebrew (models CTO-G)	89P9016	*

<b>8326 Keyboards (with fingerprint reader)</b>	<b>FRU#</b>	<b>CRU</b>
Hungarian (models CTO-G)	89P9017	*
Iceland (models CTO-G)	89P9018	*
Italian 141 (models CTO-G)	89P9019	*
LA Spanish (models CTO-L)	89P9022	*
Norwegian (models CTO-G)	89P9023	*
Polish (models CTO-G)	89P9024	*
Portuguese (models CTO-G)	89P9025	*
Romanian (models CTO-G)	89P9026	*
Romanian (models CTO-G)	89P9027	*
Russian/Cyrillic (models CTO-G)	89P9028	*
Serbian/Cyrillic (models CTO-G)	89P9029	*
Slovak (models CTO-G)	89P9030	*
Spanish (models CTO-G)	89P9031	*
Swedish/Finn (models CTO-G)	89P9032	*
Swiss F/G (models CTO-G)	89P9033	*
Thailand (models CTO-A)	89P9034	*
Turkish 440 (models CTO-G)	89P9035	*
Turkish 179 (models CTO-G)	89P9036	*
UK English (models CTO-G)	89P9037	*
US Euro (models CTO-G)	89P9038	*
Yugoslav/Latin (models CTO-G)	89P9039	*

<b>8326 mice</b>	<b>FRU#</b>	<b>CRU</b>
Mouse, Scrollpoint Optical, USB (models CTO)	41A4933	*
Mouse, Optical Wheelmouse, USB (all models)	41A4935	*
Mouse, PS2 Wheelmouse, black (models CTO)	41A4917	*

<b>8326 Adapters and miscellaneous FRU</b>	<b>FRU#</b>	<b>CRU</b>
Soft Modem V.90/V.44 (models CTO)	29R9729	*
128MB DDR ATI Radeon x300SE (DMS59 connector) (models CTO)	39J9635	*
128MB DDR ATI RADEON X700 PRO VGA, DVI-I, TV-Out PCI-e BTX (models CTO)	39J6203	*
Nvidia GeForce 6200 P262 w/NV44 (models CTO)	39J6213	*
PCI-E DVI-DConnection Adapter (ADD 2-R) (Full Height) (models CTO)	39J9334	*
Speakers, Jazz Infinity Active T1 (Black) (models CTO)	89P8589	*
Speaker Power brick - US, Canada, LA (low voltage), Taiwan, Phillipines, Thailand (models CTO-U CTO-L CTO-A)	89P8571	*
Speaker Power brick - UK, Hong Kong (British version), ASEAN (models CTO-A)	89P8573	*
Speaker Brick - Europe and LA (high voltage) (models CTO-G CTO-L)	89P8575	*
Speaker Power brick (newer 2 prong) - China, Thailand, Phillipines (models CTO-A)	89P8581	*
Speaker Power brick - ANZ (models CTO-A)	89P8579	*
Speaker Power brick - Brazil (models CTO-L)	89P8583	*

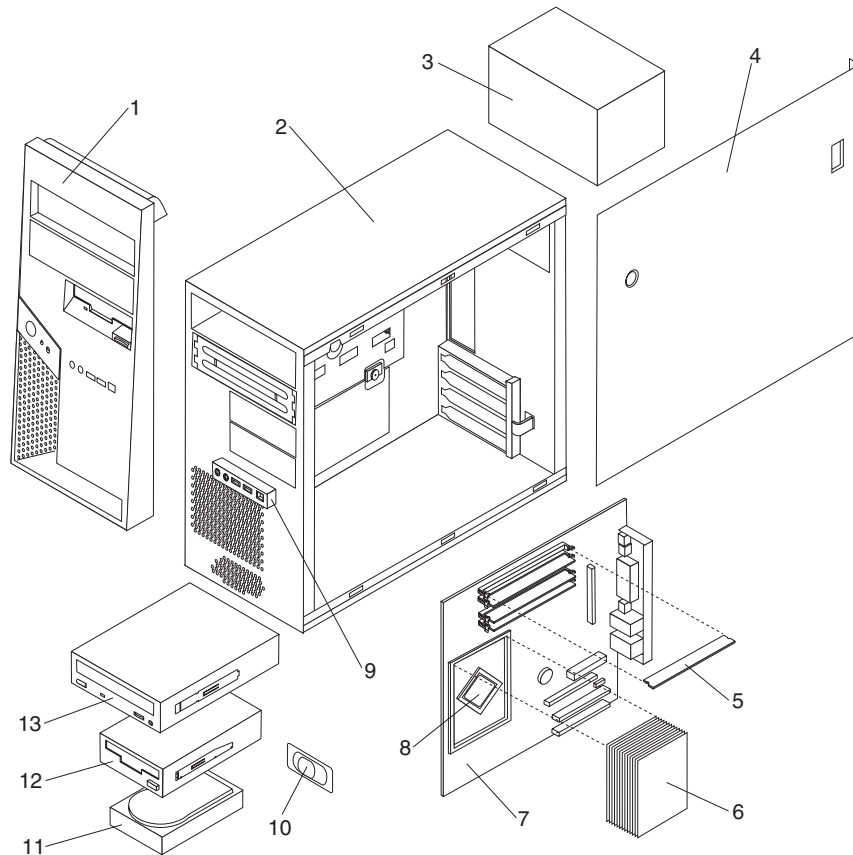
8326 Adapters and miscellaneous FRU	FRU#	CRU
Speaker Power brick - India, South Africa (models CTO-A CTO-G)	89P8585	*
Speaker Power brick - Argentina (models CTO-L)	41A4901	*
RJ11 connector adapter (Spain, Ireland) (All "G" models)	60H6043	*
RJ11 connector adapter (Austria) (All "G" models)	60H6045	*
RJ11 connector adapter (Belgium) (All "G" models)	60H6046	*
RJ11 connector adapter (Denmark) (All "G" models)	60H6047	*
RJ11 connector adapter (Norway, Finland) (All "G" models)	60H6048	*
RJ11 connector adapter (France) (All "G" models)	60H6049	*
RJ11 connector adapter (Germany) (All "G" models)	60H6050	*
RJ11 connector adapter (UK, NZ, HK) (All "G", "M", "B", "H" models)	60H6051	*
RJ11 connector adapter (Italy) (All "G" models)	60H6052	*
RJ11 connector adapter (Netherlands) (All "G" models)	60H6053	*
RJ11 connector adapter (Sweden) (All "G" models)	60H6054	*
RJ11 connector adapter (Switzerland) (All "G" models)	60H6055	*

8326 Power Cords	FRU#	CRU
Power cord - US (models CTO-U A1A A1T 21A 21T 22A 22T D3A D3T D4A D4T E3A E3T E4A E4T 41A 41T 42A 42T 43A 43T)	39M5080	*
Power cord - China (models A1C D1C D2C E1C E2C 51C)	39M5205	*
Power cord - Brazil (models CTO-L)	39M5232	*
Power cord - LA High Volt (APU) (models CTO-L)	39M5067	*
Power cord - Australia/New Zealand (models CTO-A)	39M5102	*
Power cord - Hong Kong (models CTO-A)	39M5151	*
Power cord - UK, Ireland, Singapore, Malaysia, Brunei (models CTO-G CTO-A A1A 21A 22A D3A D4A E3A E4A 71G 72G 73G 74G 75G 76G 41A 42A 77G 78G 79G 7AG 43A 7BG 7CG 7DG 7EG 7FG 7GG)	39M5150	*
Power cord - Taiwan (models CTO-G CTO-A)	39M5246	*
Power cord - Italy (models CTO-G 71G 72G 73G 74G 75G 76G 77G 78G 79G 7AG 7BG 7CG 7DG 7EG 7FG 7GG)	39M5164	*
Power cord - G models (models CTO-G A1A 21A 22A D3A D4A E3A E4A 71G 72G 73G 74G 75G 76G 41A 42A 77G 78G 79G 7AG 43A 7BG 7CG 7DG 7EG 7FG 7GG)	39M5122	*
Power cord - Denmark (models CTO-G 77G 78G 79G 7AG 7BG 7CG 7DG 7EG 7FG 7GG)	39M5129	*
Power cord - Switzerland (models CTO-G 77G 78G 79G 7AG 7BG 7CG 7DG 7EG 7FG 7GG)	39M5157	*
Power cord - Israel (models CTO-G 77G 78G 79G 7AG 7BG 7CG 7DG 7EG 7FG 7GG)	39M5171	*
Power cord - South Africa (models CTO-G A1A 21A 22A D3A D4A E3A E4A 71G 72G 73G 74G 75G 76G 41A 42A 77G 78G 79G 7AG 43A 7BG 7CG 7DG 7EG 7FG 7GG)	39M5143	*
Power cord - India (models CTO-A A1Q 21Q 22Q D3Q D4Q E3Q E4Q 41Q 42Q G3Q)	39M5004	*

8326 Windows XP Home Recovery CDs	FRU#	CRU
Simplified Chinese (models D2C E2C)	39T9146	*

8326 Windows XP Pro Recovery CDs	FRU#	CRU
US/UK/AP/TH (models A1A A1Q A1T 21A 21Q 21T 22A 22Q 22T D3A D3Q D3T D4A D4Q D4T E3A E3Q E3T E4A E4Q E4T 71G 73G 75G 76G 41A 41Q 41T 42A 42Q 42T 77G 78G 7AG 27Q 61Q G1Q G2U G2A G2T 43A 43T G3Q 7CG 7DG 7EG 7FG 7GG)	41T1809	*
RE (models 71G 73G 75G 76G 77G 78G 7AG 7CG 7DG 7EG 7FG 7GG)	41T4985	*
FR/CF (models 71G 73G 75G 76G 77G 78G 7AG 7CG 7DG 7EG 7FG 7GG)	41T4134	*
GR (models 71G 73G 75G 76G 77G 78G 7AG 7CG 7DG 7EG 7FG 7GG)	41T4135	*
SP/LA (models 71G 73G 75G 76G 77G 78G 7AG 7CG 7DG 7EG 7FG 7GG)	41T4136	*
IT (models 71G 73G 75G 76G 77G 78G 7AG 7CG 7DG 7EG 7FG 7GG)	41T4137	*
SV (models 71G 73G 75G 76G 77G 78G 7AG 7CG 7DG 7EG 7FG 7GG)	41T4139	*
DK (models 71G 73G 75G 76G 77G 78G 7AG 7CG 7DG 7EG 7FG 7GG)	41T4991	*
FI (models 71G 73G 75G 76G 77G 78G 7AG 7CG 7DG 7EG 7FG 7GG)	41T4997	*
NO (models 71G 73G 75G 76G 77G 78G 7AG 7CG 7DG 7EG 7FG 7GG)	41T5003	*
NL (models 71G 73G 75G 76G 77G 78G 7AG 7CG 7DG 7EG 7FG 7GG)	41T5009	*
HE (models 71G 73G 75G 76G 77G 78G 7AG 7CG 7DG 7EG 7FG 7GG)	41T5015	*
PL (models 71G 73G 75G 76G 77G 78G 7AG 7CG 7DG 7EG 7FG 7GG)	41T5021	*
CZ (models 71G 73G 75G 76G 77G 78G 7AG 7CG 7DG 7EG 7FG 7GG)	41T5027	*
AE (models 71G 73G 75G 76G 77G 78G 7AG 7CG 7DG 7EG 7FG 7GG)	41T5033	*
RU (models 71G 73G 75G 76G 77G 78G 7AG 7CG 7DG 7EG 7FG 7GG)	41T5039	*
TR (models 71G 73G 75G 76G 77G 78G 7AG 7CG 7DG 7EG 7FG 7GG)	41T5045	*
HU (models 71G 73G 75G 76G 77G 78G 7AG 7CG 7DG 7EG 7FG 7GG)	41T5051	*
PO (models 71G 73G 75G 76G 77G 78G 7AG 7CG 7DG 7EG 7FG 7GG)	41T5057	*
GK (models 71G 73G 75G 76G 77G 78G 7AG 7CG 7DG 7EG 7FG 7GG)	41T5063	*
SL (models 71G 73G 75G 76G 77G 78G 7AG 7CG 7DG 7EG 7FG 7GG)	41T5069	*
Simplified Chinese (models A1C)	39T9138	*
Taiwan-TC (models A2V B1V B2V)	39T9154	*
Multilingual 1 (models 71G 73G 75G 76G 77G 78G 7AG 7CG 7DG 7EG 7FG 7GG)	41T4206	*
Multilingual 2 (models 71G 73G 75G 76G 77G 78G 7AG 7CG 7DG 7EG 7FG 7GG)	41T5159	*

# Machine Type 8327



Item #	8327 FRUs	FRU#	CRU
1	Bezel Asm (all models)	41A7807	*
2	Chassis Asm (all models)	41A7808	N
3	Power supply, 310 W, standard (models CTO D1A D1T D4A D4T E1A E2T E4A E4T F1A F1T F2A F2T G2A G2T 71G 72G 73G 74G 41A 41T 42A 42T H1A H1T H2A H2T 82A 82T 83G 91A 91T 75G 76G 77G 78G 79G)	24R2596	**
3	Power supply, 310 W, standard, DMO (models CTO D1A D1T D4A D4T E1A E2T E4A E4T F1A F1T F2A F2T G2A G2T 71G 72G 73G 74G)	41N3143	**
3	Power supply, 310 W (China) (models CTO-A CTO-L A1Q 21Q 22Q D1Q D2Q D3V D4Q E1Q E2V E3Q E4Q F1Q F2Q G1V G2Q 41Q 42Q H1Q H2Q H3B H3H 81V 82Q 91Q 26Q 27Q 61Q G3Q 51V G3C G4V B1V J1V)	24R2598	**
3	Power supply, 310 W, Robust, DMO (models CTO-A CTO-L A1Q 21Q 22Q D1Q D2Q D3V D4Q E1Q E2V E3Q E4Q F1Q F2Q G1V G2Q)	41N3366	**
4	Cover (all models)	39M0465	*
5	Memory module, 256MB, DDR2 SDRAM, NP (PC 4200) (models CTO A1Q 21Q 22Q D1A D1Q D1T D2Q D3V E1A E1Q E2T E2V E3Q F1A F1Q F1T G1V G2A G2Q G2T 41A 41Q 41T H1A H1Q H1T H3B H3H 81V 82A 82Q 82T 91A 91Q 91T 26Q 27Q 61Q G3Q 51V G3C)	30R5120	*
5	Memory module, 512MB, DDR2 SDRAM, NP (PC 4200) (models CTO D4A D4Q D4T E4A E4Q E4T F2A F2Q F2T 71G 72G 73G 74G 42A 42Q 42T H2A H2Q H2T 83G 75G 76G G4V B1V J1V 77G 78G 79G)	30R5121	*
5	Memory module, 1GB, DDR2 SDRAM, NP (PC 4200) (models CTO)	30R5122	*

Item #	8327 FRUs	FRU#	CRU
5	Memory module, 2GB, DDR2 SDRAM, NP (PC 4200) (models CTO)	30R5123	*
6	Heat sink (all models)	39M0538	**
7	System board, (models CTO A1Q 21Q 22Q D1A D1Q D1T D2Q D3V D4A D4Q D4T E1A E1Q E2T E2V E3Q E4A E4Q E4T F1A F1Q F1T F2A F2Q F2T G1V G2A G2Q G2T 71G 72G 73G 74G 41A 41Q 41T 42A 42Q 42T H1A H1Q H1T H2A H2Q H2T H3B H3H 81V 82A 82Q 82T 83G 91A 91Q 91T 75G 76G 26Q 27Q 61Q G3Q 51V G3C G4V B1V J1V 77G 78G 79G)	41X0161	N
8	Microprocessor, Celeron 2.53GHz, 533 FSB, 256KB L2 (models CTO)	39J7016	**
8	Microprocessor, Celeron 2.66GHz, 533 FSB, 256KB L2 (models CTO)	39J7017	**
8	Microprocessor, Celeron 2.80GHz, 533 FSB, 256KB L2 (models CTO A1Q)	39J7018	**
8	Microprocessor, Celeron 2.93GHz, 533 FSB, 256KB L2 (models CTO)	39J7019	**
8	Microprocessor, Celeron 3.06GHz, 533 FSB, 256KB L2 (models CTO)	39J7020	**
8	Microprocessor, Celeron 3.20GHz, 533 FSB, 256KB L2 (models CTO)	39J9696	**
8	Microprocessor, Pentium 4 2.66GHz, 533 FSB, 1MB L2 (models CTO 26Q 27Q)	41D0690	**
8	Microprocessor, Pentium 4 2.93GHz, 533 FSB, 1MB L2 (models CTO)	41D0692	**
8	Microprocessor, Pentium 4 3.06GHz, 533 FSB, 1MB L2 (models CTO 21Q 22Q)	41D0694	**
8	Microprocessor, Pentium 4 2.8GHz, 800 FSB, 1MB L2 (models CTO 41A 41Q 41T 42A 42Q 42T)	39J7021	**
8	Microprocessor, Pentium 4 3.0GHz, 800 FSB, 1MB L2 (models CTO 51V)	39J7022	**
8	Microprocessor, Pentium 4 3.2GHz, 800 FSB, 1MB L2 (models CTO)	39J7023	**
8	Microprocessor, Pentium 4 3.4GHz, 800 FSB, 1MB L2 (models CTO)	39J7024	**
8	Microprocessor, Pentium 4 2.8GHz, 800 FSB, 2MB L2 (models CTO 61Q)	41X2412	**
8	Microprocessor, Pentium 4 3.0GHz, 800 FSB, 2MB L2 (models CTO D1A D1Q D1T D2Q D3V D4A D4Q D4T 71G 72G)	39J7025	**
8	Microprocessor, Pentium 4 3.0GHz, Cedar Mill 800 FSB, 2MB L2 (models CTO)	41D5054	**
8	Microprocessor, Pentium 4 3.2GHz, 800 FSB, 2MB L2 (models CTO E1A E1Q E2T E2V E3Q E4A E4Q E4T 73G)	39J7026	**
8	Microprocessor, Pentium 4 3.2GHz, Cedar Mill 800 FSB, 2MB L2 (models CTO)	41D5056	**
8	Microprocessor, Pentium 4 3.4GHz, 800 FSB, 2MB L2 (models CTO F1A F1Q F1T F2A F2Q F2T H1A H1Q H1T H2A H2Q H2T H3B H3H)	39J7027	**
8	Microprocessor, Pentium 4 3.4GHz, Cedar Mill 800 FSB, 2MB L2 (models CTO)	41D5058	**
8	Microprocessor, Pentium 4 3.6GHz, Cedar Mill 800 FSB, 2MB L2 (models CTO)	41D5060	**
8	Microprocessor, Smithfield Pentium 4 2.8.4GHz, 800 FSB, 2x1MB L2 (models CTO G1V G2A G2Q G2T 74G 75G 76G G3Q G3C G4V 77G)	39J8469	**
8	Microprocessor, Pentium D Processor 2.8 GHz 800MHz FSB 2Mx2 L2 C1-Value (models CTO 78G 79G)	TBD	**
8	Microprocessor, Pentium 4 2.8GHz, Presler 800 FSB, 2x2MB L2 (models CTO 81V 82A 82Q 82T 83G)	41D5062	**
8	Microprocessor, Pentium D, 3.0GHz, 800MHz FSB, 2MBx2 L2 (models CTO 91A 91Q 91T)	41D5052	**
8	Microprocessor, Pentium D Processor 3.2 GHz 800MHz FSB 2Mx2 L2 C1-Value (models CTO B1V)	41X4230	**
8	Microprocessor, Pentium D Processor 3.2 GHz 800MHz FSB 2Mx2 L2 C1-Value (models CTO J1V)	TBD	**
9	Front panel card Asm (all models)	26K1183	**



Item #	8327 FRUs	FRU#	CRU
10	Speaker Asm, Soldered Terminals all (models)	39P5023	**
11	Hard disk drive, 40GB, 7200RPM, Serial ATA (models CTO)	40Y9033	**
11	Hard disk drive, 40GB, 7200RPM, Serial ATA (models CTO)	40Y8760	**
11	Hard disk drive, 80GB, 7200RPM, Serial ATA (models CTO A1Q 21Q 22Q D1A D1Q D1T D2Q D3V D4A D4Q D4T E1A E1Q E2T E2V E3Q E4A E4Q E4T F1A F1Q F1T F2A F2Q F2T G1V G2A G2Q G2T 71G 41A 41Q 41T 42A 42Q 42T H1A H1Q H1T H2A H2Q H2T H3B H3H 81V 82A 82Q 82T 91A 91Q 91T 75G 76G 26Q 27Q 61Q G3Q 51V G3C G4V B1V J1V)	40Y9034	**
11	Hard disk drive, 80GB, 7200RPM, Serial ATA (models CTO A1Q 21Q 22Q D1A D1Q D1T D2Q D3V D4A D4Q D4T E1A E1Q E2T E2V E3Q E4A E4Q E4T F1A F1Q F1T F2A F2Q F2T G1V G2A G2Q G2T 71G 41A 41Q 41T 42A 42Q 42T H1A H1Q H1T H2A H2Q H2T H3B H3H 81V 82A 82Q 82T 91A 91Q 91T 75G 76G 26Q 27Q 61Q G3Q 51V G3C G4V B1V J1V)	40Y8761	**
11	Hard disk drive, 160GB, 7200RPM, Serial ATA (models CTO 72G 73G 74G 83G 77G 78G 79G)	40Y8762	**
11	Hard disk drive, 160GB, 7200RPM, Serial ATA (models CTO 72 G 73G 74G 83G 77G 78G 79G)	40Y9035	**
11	Hard disk drive, 250GB, 7200RPM, Serial ATA (models CTO)	40Y8763	**
11	Hard disk drive, 250GB, 7200RPM, Serial ATA (models CTO)	40Y9036	**
12	Diskette drive, 1.44MB, 3-mode, w/o bezel (models CTO A1Q 21Q 22Q D1A D1Q D1T D2Q D3V D4A D4Q D4T E1A E1Q E2T E2V E3Q E4A E4Q E4T F1A F1Q F1T F2A F2Q F2T G1V G2A G2Q G2T 41A 41Q 41T 42A 42Q 42T H1A H1Q H1T H2A H2Q H2T H3B H3H 81V 82A 82Q 82T 91A 91Q 91T 76G 26Q 27Q 61Q G3Q 51V G3C G4V B1V J1V)	40Y9107	*
12	Diskette drive, 1.44MB, 3-mode, w/o bezel (models CTO A1Q 21Q 22Q D1A D1Q D1T D2Q D3V D4A D4Q D4T E1A E1Q E2T E2V E3Q E4A E4Q E4T F1A F1Q F1T F2A F2Q F2T G1V G2A G2Q G2T 41A 41Q 41T 42A 42Q 42T H1A H1Q H1T H2A H2Q H2T H3B H3H 81V 82A 82Q 82T 91A 91Q 91T 76G 26Q 27Q 61Q G3Q 51V G3C G4V B1V J1V)	40Y9105	*
12	Diskette drive, 1.44MB, 3-mode, w/o bezel (models CTO A1Q 21Q 22Q D1A D1Q D1T D2Q D3V D4A D4Q D4T E1A E1Q E2T E2V E3Q E4A E4Q E4T F1A F1Q F1T F2A F2Q F2T G1V G2A G2Q G2T 41A 41Q 41T 42A 42Q 42T H1A H1Q H1T H2A H2Q H2T H3B H3H 81V 82A 82Q 82T 91A 91Q 91T 76G 26Q 27Q 61Q G3Q 51V G3C G4V B1V J1V)	40Y9113	*
13	CD-ROM drive 48X (models CTO A1Q 21Q D1A D1Q D1T E1A E1Q 41A 41Q 41T 26Q 27Q 61Q G3Q G3C)	40Y8955	*
13	CD-ROM drive 48X (models CTO A1Q 21Q D1A D1Q D1T E1A E1Q 41A 41Q 41T 26Q 27Q 61Q G3Q G3C)	40Y8929	*
13	CD-ROM drive 48X (models CTO A1Q 21Q D1A D1Q D1T E1A E1Q 41A 41Q 41T 26Q 27Q 61Q G3Q G3C)	40Y8953	*
13	CD-ROM drive 48X (models CTO A1Q 21Q D1A D1Q D1T E1A E1Q 41A 41Q 41T 26Q 27Q 61Q G3Q G3C)	40Y8807	*
13	CD-RW drive (48X/32X/48X) (models CTO 22Q D2Q E3Q F1A F1Q F1T G2A G2Q G2T H1A H1Q H1T 82A 82Q 82T 91A 91Q 91T)	40Y8901	*
13	CD-RW drive (48X/32X/48X) (models CTO 22Q D2Q E3Q F1A F1Q F1T G2A G2Q G2T H1A H1Q H1T 82A 82Q 82T 91A 91Q 91T)	40Y8937	*
13	DVD-ROM (16X/48X) - black (models CTO D3V E2T E2V G1V H3B H3H 81V 75G 76G 51V G4V B1V J1V)	40Y8931	*
13	DVD-ROM (16X/48X) - black (models CTO D3V E2T E2V G1V H3B H3H 81V 75G 76G 51V G4V B1V J1V)	40Y8933	*

Item #	8327 FRUs	FRU#	CRU
13	DVD-ROM (16X/48X) - black (models CTO D3V E2T E2V G1V H3B H3H 81V 75G 76G 51V G4V B1V J1V)	40Y8935	*
13	DVD-ROM (16X/48X) - black (models CTO D3V E2T E2V G1V H3B H3H 81V 75G 76G 51V G4V B1V J1V)	40Y8957	*
13	CD-RW/DVD-ROM Combo drive (48X/32X/48X/16X Max) (models CTO D4A D4Q D4T E4A E4Q E4T F2A F2Q F2T 71G 42A 42Q 42T H2A H2Q H2T 78G)	40Y8919	*
13	CD-RW/DVD-ROM Combo drive (48X/32X/48X/16X Max) (models CTO D4A D4Q D4T E4A E4Q E4T F2A F2Q F2T 71G 42A 42Q 42T H2A H2Q H2T 78G)	40Y8941	*
13	Multiburner Plus (models CTO 72G 73G 74G 83G 77G 79G)	40Y8909	*

The FRUs listed in the following table are not illustrated.

8327 FRUs	FRU#	CRU
Shield, 5.25 EMC (all models)	39M0460	*
Cable, SATA (18-inch RoHs) (all models)	26K1186	*
Hard disk drive mounting bracket (all models)	39M0461	*
Cable, serial (all models)	39K5021	*
EMC shield, diskette drive (all models)	39M0464	*
Cable, diskette drive (RoHs) (all models)	26K1184	*
Fan duct Asm (all models)	39M0470	*
Power switch/LED Asm (all models)	39M0471	**
Device retaining clips (all models)	39M0473	**
Shield, system board (all models)	39M0476	N
Miscellaneous hardware kit (all models)	39M0477	**
Cable, 1394 panel mount (all models)	39M0478	**
RM kit (all models)	39K5046	N
Cable, 2 Drop IDE (all models)	39M0516	*
Hard Disk Drive Tray w/screws (all models)	39M0491	**
Universal Adapter Bracket 5.25 to 3.5-inch (all models)	32P4743	*
Battery, 3.0V (all models)	33F8354	*

8327 Keyboard (Preferred Pro, Fullsize, Stealth black)	FRU#	CRU
US English (models CTO-U CTO-G A1Q 21Q 22Q D1A D1Q D2Q D4A D4Q E1A E1Q E3Q E4A E4Q F1A F1Q F2A F2Q G2A G2Q 71G 72G 72G 73G 74G 41A 41Q 42A 42Q H1A H1Q H2A H2Q H3H 82A 82Q 91A 91Q 75G 76G 26Q 27Q 61Q G3Q G3C 77G 78G)	89P8300	*
Arabic (models CTO-G 71G 72G 75G 76G 77G 78G)	89P8301	*
Belgian/French (models CTO-G 71G 72G 75G 76G 77G 78G)	89P8302	*
Belgian/UK (models CTO-G 71G 72G 75G 76G 77G 78G)	89P8303	*
Brazil/Portugese (models CTO-L)	89P8304	*
Bulgarian (models CTO-G 71G 72G 75G 76G 77G 78G)	89P8305	*
Chinese/US (models D3V E2V G1V H3B 81V 51V G4V B1V J1V)	89P8306	*
Czech (models CTO-G 71G 72G 75G 76G 77G 78G)	89P8307	*
Danish (models CTO-G 71G 72G 75G 76G 77G 78G)	89P8308	*

<b>8327 Keyboard (Preferred Pro, Fullsize, Stealth black)</b>	<b>FRU#</b>	<b>CRU</b>
Dutch (models CTO-G 71G 72G 75G 76G 77G 78G)	89P8309	*
French (models CTO-G 71G 72G 75G 76G 77G 78G)	89P8310	*
French Canadian 445 (models CTO-U)	89P8311	*
French Canadian 58 (models CTO-U)	89P8312	*
German (models CTO-G 71G 72G 75G 76G 77G 78G)	89P8313	*
Greek (models CTO-G 71G 72G 75G 76G 77G 78G)	89P8314	*
Hebrew (models CTO-G 71G 72G 75G 76G 77G 78G)	89P8315	*
Hungarian (models CTO-G 71G 72G 75G 76G 77G 78G)	89P8316	*
Iceland (models CTO-G 71G 72G 75G 76G 77G 78G)	89P8317	*
Italian 142 (models CTO-G 71G 72G 75G 76G 77G 78G)	89P8319	*
LA Spanish (models CTO-L)	89P8322	*
Norwegian (models CTO-G 71G 72G 75G 76G 77G 78G)	89P8323	*
Polish (models CTO-G 71G 72G 75G 76G 77G 78G)	89P8324	*
Portuguese (models CTO-G 71G 72G 75G 76G 77G 78G)	89P8325	*
Romanian (models CTO-G 71G 72G 75G 76G 77G 78G)	89P8326	*
Russian/Cyrillic (models CTO-G 71G 72G 75G 76G 77G 78G)	89P8328	*
Serbian/Cyrillic (models CTO-G 71G 72G 75G 76G 77G 78G)	89P8329	*
Slovak (models CTO-G 71G 72G 75G 76G 77G 78G)	89P8330	*
Spanish (models CTO-G 71G 72G 75G 76G 77G 78G)	89P8331	*
Swedish/Finn (models CTO-G 71G 72G 75G 76G 77G 78G)	89P8332	*
Swiss F/G (models CTO-G 71G 72G 75G 76G 77G 78G)	89P8333	*
Thailand (models CTO-A D1T D4T E2T E4T F1T F2T G2T 41T 42T H1T H2T 82T 91T)	89P8334	*
Turkish 440 (models CTO-G 71G 72G 75G 76G 77G 78G)	89P8335	*
Turkish 179 (models CTO-G 71G 72G 75G 76G 77G 78G)	89P8336	*
UK English (models CTO-G 71G 72G 75G 76G 77G 78G)	89P8337	*
US Euro (models CTO-G 71G 72G 75G 76G 77G 78G)	89P8338	*
Yugoslav/Latin (models CTO-G 71G 72G 75G 76G 77G 78G)	89P8339	*

<b>8327 Keyboards (with fingerprint reader)</b>	<b>FRU#</b>	<b>CRU</b>
US English (models CTO-U CTO-G 73G 74G 83G 79G)	89P9000	*
Arabic (models CTO-G 73G 74G 83G 79G)	89P9001	*
Arabic/French (models CTO-G 73G 74G 83G 79G)	89P9002	*
Belgian/French (models CTO-G 73G 74G 83G 79G)	89P9003	*
Belgian/UK (models CTO-G 73G 74G 83G 79G)	89P9004	*
Brazilian Portuguese (models CTO-L)	89P9005	*
Bulgarian (models CTO-G 73G 74G 83G 79G)	89P9006	*
Chinese/US (models CTO-G 73G 74G 83G 79G)	89P9007	*
Czech (models CTO-G 73G 74G 83G 79G)	89P9008	*
Danish (models CTO-G 73G 74G 83G 79G)	89P9009	*
Dutch (models CTO-G 73G 74G 83G 79G)	89P9010	*
French (models CTO-G 73G 74G 83G 79G)	89P9011	*

<b>8327 Keyboards (with fingerprint reader)</b>	<b>FRU#</b>	<b>CRU</b>
French Canadian 445 (models CTO-U)	89P9012	*
French Canadian 58 (models CTO-U)	89P9013	*
German (models CTO-G 73G 74G 83G 79G)	89P9014	*
Greek (models CTO-G 73G 74G 83G 79G)	89P9015	*
Hebrew (models CTO-G 73G 74G 83G 79G)	89P9016	*
Hungarian (models CTO-G 73G 74G 83G 79G)	89P9017	*
Iceland (models CTO-G 73G 74G 83G 79G)	89P9018	*
Italian 141 (models CTO-G 73G 74G 83G 79G)	89P9019	*
LA Spanish (models CTO-L)	89P9022	*
Norwegian (models CTO-G 73G 74G 83G 79G)	89P9023	*
Polish (models CTO-G 73G 74G 83G 79G)	89P9024	*
Portuguese (models CTO-G 73G 74G 83G 79G)	89P9025	*
Romanian (models CTO-G 73G 74G 83G 79G)	89P9026	*
Romanian (models CTO-G 73G 74G 83G 79G)	89P9027	*
Russian/Cyrillic (models CTO-G 73G 74G 83G 79G)	89P9028	*
Serbian/Cyrillic (models CTO-G 73G 74G 83G 79G)	89P9029	*
Slovak (models CTO-G 73G 74G 83G 79G)	89P9030	*
Spanish (models CTO-G 73G 74G 83G 79G)	89P9031	*
Swedish/Finn (models CTO-G 73G 74G 83G 79G)	89P9032	*
Swiss F/G (models CTO-G 73G 74G 83G 79G)	89P9033	*
Thailand (models CTO-A)	89P9034	*
Turkish 440 (models CTO-G 73G 74G 83G 79G)	89P9035	*
Turkish 179 (models CTO-G 73G 74G 83G 79G)	89P9036	*
UK English (models CTO-G 73G 74G 83G 79G)	89P9037	*
US Euro (models CTO-G 73G 74G 83G 79G)	89P9038	*
Yugoslav/Latin (models CTO-G 73G 74G 83G 79G)	89P9039	*

<b>8327 mice</b>	<b>FRU#</b>	<b>CRU</b>
Mouse, Scrollpoint Optical, USB (models CTO)	41A4933	*
Mouse, Scrollpoint Optical, USB Optical Wheelmouse, USB (all models)	41A4935	*
Mouse, PS2 Wheelmouse (models CTO)	41A4917	*

<b>8327 Adapters and miscellaneous FRU</b>	<b>FRU#</b>	<b>CRU</b>
Soft Modem V.90/V.44 (models CTO)	29R9729	*
128MB DDR ATI Radeon x300SE (DMS59 connector) (models CTO)	39J9635	*
128MB DDR ATI RADEON X700 PRO VGA, DVI-I, TV-Out PCI-e BTX (models CTO)	39J6203	*
Nvidia GeForce 6200 P262 w/NV44 (models CTO)	39J6213	*
PCI-E DVI-DConnection Adapter (ADD 2-R) (Full Height) (models CTO 71G 72G 73G 74G 83G 77G 78G 79G)	39J9334	*
1394 Firewire PCI LP (ATX) (models CTO H3B H3H)	41D2781	*
Speakers, Jazz Infinity Active T1 (Black) (models CTO)	89P8589	*

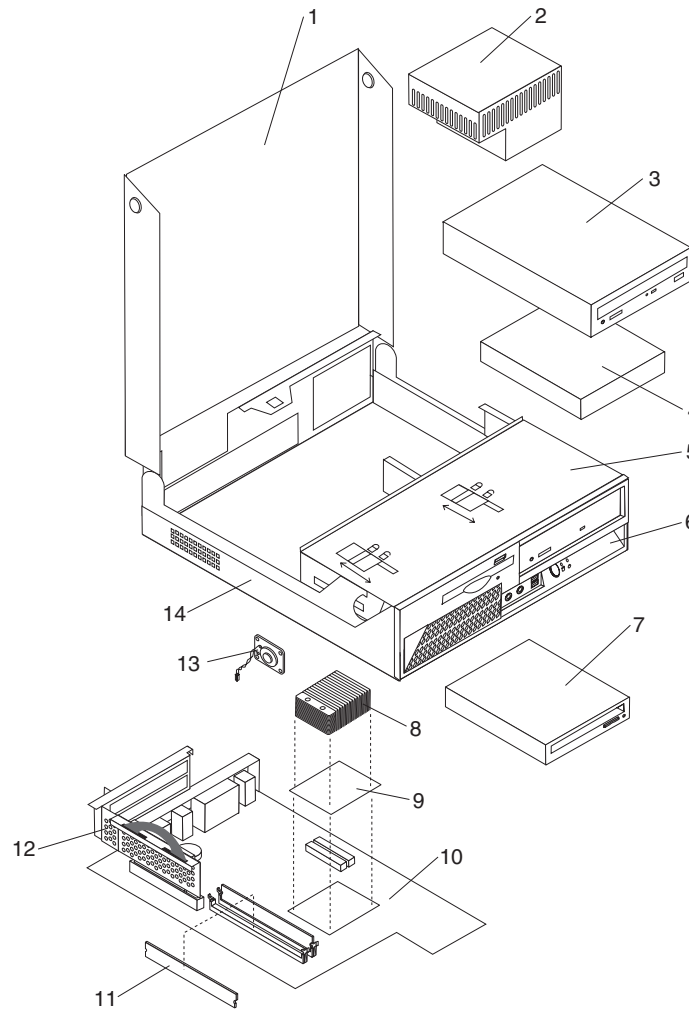
8327 Adapters and miscellaneous FRU	FRU#	CRU
Speaker Power brick - US, Canada, LA (low voltage), Taiwan, Phillipines, Thailand (models CTO-U CTO-L CTO-A)	89P8571	*
Speaker Power brick - UK, Hong Kong (British version), ASEAN (models CTO-A)	89P8573	*
Speaker Brick - Europe and LA (high voltage) (models CTO-G CTO-L)	89P8575	*
Speaker Power brick (newer 2 prong) - China, Thailand, Phillipines (models CTO-A)	89P8581	*
Speaker Power brick - ANZ (models CTO-A)	89P8579	*
Speaker Power brick - Brazil (models CTO-L)	89P8583	*
Speaker Power brick - India, South Africa (models CTO-A CTO-G)	89P8385	*
Speaker Power brick - Argentina (models CTO-L)	41A4901	*
RJ11 connector adapter (Spain, Ireland) (All "G" models)	60H6043	*
RJ11 connector adapter (Austria) (All "G" models)	60H6045	*
RJ11 connector adapter (Belgium) (All "G" models)	60H6046	*
RJ11 connector adapter (Denmark) (All "G" models)	60H6047	*
RJ11 connector adapter (Norway, Finland) (All "G" models)	60H6048	*
RJ11 connector adapter (France) (All "G" models)	60H6049	*
RJ11 connector adapter (Germany) (All "G" models)	60H6050	*
RJ11 connector adapter (UK, NZ, HK) (All "G", "M", "B", "H" models)	60H6051	*
RJ11 connector adapter (Italy) (All "G" models)	60H6052	*
RJ11 connector adapter (Netherlands) (All "G" models)	60H6053	*
RJ11 connector adapter (Sweden) (All "G" models)	60H6054	*
RJ11 connector adapter (Switzerland) (All "G" models)	60H6055	*

8327 Power Cords	FRU#	CRU
Power cord - US (models CTO-U D1A D1T D4A D4T E1A E2T E4A E4T F1A F1T F2A F2T G2A G2T 41A 41T 42A 42T H1A H1T H2A H2T 82A 82T 91A 91T)	39M5080	*
Power cord - China (models G3C)	39M5205	*
Power cord - Brazil (models CTO-L)	39M5232	*
Power cord - LA High Volt (APU) (models CTO-L)	39M5067	*
Power cord - Australia/New Zealand (models CTO-A)	39M5102	*
Power cord - Hong Kong (models CTO-A H3B H3H)	39M5151	*
Power cord - UK, Ireland, Singapore, Malaysia, Brunei (models CTO-G CTO-A D1A D4A E1A E4A F1A F2A G2A 71G 72G 73G 74G 41A 42A H1A H2A 82A 83G 91A 75G 76G 77G 78G 79G)	39M5150	*
Power cord - Taiwan (models D3V E2V G1V 81V 51V G4V B1V J1V)	39M5246	*
Power cord - Italy (models CTO-G 71G 72G 73G 74G 83G 75G 76G 77G 78G 79G)	39M5164	*
Power cord - G models (models CTO-G D1A D4A E1A E4A F1A F2A G2A 71G 72G 73G 74G 41A 42A H1A H2A 82A 83G 91A 75G 76G 77G 78G 79G)	39M5122	*
Power cord - Denmark (models CTO-G 71G 72G 73G 74G 83G 75G 76G 77G 78G 79G)	39M5129	*
Power cord - Switzerland (models CTO-G 71G 72G 73G 74G 83G 75G 76G 77G 78G 79G)	39M5157	*
Power cord - Israel (models CTO-G 71G 72G 73G 74G 83G 75G 76G 77G 78G 79G)	39M5171	*
Power cord - South Africa (models CTO-G D1A D4A E1A E4A F1A F2A G2A 71G 72G 73G 74G 41A 42A H1A H2A 82A 83G 91A 75G 76G 77G 78G 79G)	39M5143	*

8327 Power Cords	FRU#	CRU
Power cord - India (models CTO-A A1Q 21Q 22Q D1Q D2Q D4Q E1Q E3Q E4Q F1Q F2Q G2Q 41Q 42Q H1Q H2Q 82Q 91Q 26Q 27Q 61Q G3Q)	39M5004	*

8327 Windows XP Pro Recovery CDs	FRU#	CRU
US/UK/AP/TH (models A1Q 21Q 22Q D1A D1Q D1T D2Q D4A D4Q D4T E1A E1Q E2T E3Q E4A E4Q E4T F1A F1Q F1T F2A F2Q F2T G2A G2Q G2T 71G 72G 73G 74G 41A 41Q 41T 42A 42Q 42T H1A H1Q H1T H2A H2Q H2T H3H 82A 82Q 82T 83G 91A 91Q 91T 75G 26Q 61Q G3Q 77G 78G 79G)	41T1809	*
RE (models 71G 72G 73G 74G 83G 75G 77G 78G 79G)	41T4985	*
FR/CF (models 71G 72G 73G 74G 83G 75G 77G 78G 79G)	41T4134	*
GR (models 71G 72G 73G 74G 83G 75G 77G 78G 79G)	41T4135	*
SP/LA (models 71G 72G 73G 74G 83G 75G 77G 78G 79G)	41T4136	*
IT (models 71G 72G 73G 74G 83G 75G 77G 78G 79G)	41T4137	*
SV (models 71G 72G 73G 74G 83G 75G 77G 78G 79G)	41T4139	*
DK (models 71G 72G 73G 74G 83G 75G 77G 78G 79G)	41T4991	*
FI (models 71G 72G 73G 74G 83G 75G 77G 78G 79G)	41T4997	*
NO (models 71G 72G 73G 74G 83G 75G 77G 78G 79G)	41T5003	*
NL (models 71G 72G 73G 74G 83G 75G 77G 78G 79G)	41T5009	*
HE (models 71G 72G 73G 74G 83G 75G 77G 78G 79G)	41T5015	*
PL (models 71G 72G 73G 74G 83G 75G 77G 78G 79G)	41T5021	*
CZ (models 71G 72G 73G 74G 83G 75G 77G 78G 79G)	41T5027	*
AE (models 71G 72G 73G 74G 83G 75G 77G 78G 79G)	41T5033	*
RU (models 71G 72G 73G 74G 83G 75G 77G 78G 79G)	41T5039	*
TR (models 71G 72G 73G 74G 83G 75G 77G 78G 79G)	41T5045	*
HU (models 71G 72G 73G 74G 83G 75G 77G 78G 79G)	41T5051	*
PO (models 71G 72G 73G 74G 83G 75G 77G 78G 79G)	41T5057	*
GK (models 71G 72G 73G 74G 83G 75G 77G 78G 79G)	41T5063	*
SL (models 71G 72G 73G 74G 83G 75G 77G 78G 79G)	41T5069	*
Simplified Chinese (models G3C)	39T9138	*
Taiwan-TC (models D3V E2V G1V 81V 51V G4V B1V J1V)	39T9154	*
Hong Kong - TC (models H3B)	39T9170	*
Multilingual 1 (models 71G 72G 73G 74G 83G 75G 77G 78G 79G)	41T4206	*
Multilingual 2 (models 71G 72G 73G 74G 83G 75G 77G 78G 79G)	41T5159	*

# Machine Type 8328



Item #	8328 FRUs	FRU#	CRU
1	Cover (all models)	26K1263	*
2	Power Supply (225 Watt) (models CTO A2A A2T 21A 21T 22A 22T D4A D4T D5A D5T D8G E4A E4T E5A E5T E8G 71G 72G 73G 74G 75G)	24R2584	**
2	Power Supply (225 Watt) China (models CTO-A CTO-L A1V A2Q B1V B2V 21Q 22Q D1C D2C D3V D4Q D5Q D6Q D7V E1C E2C E3V E4Q E5Q E6Q E7V F1Q F2Q G1V G2Q)	24R2587	**
3	CD-ROM Drive 48X (models CTO A2A A2Q A2T 21A 21Q 21T D1C D2C D4A D4Q D4T E1C E2C E4A E4Q E4T 41A 41Q 41T 26Q 61Q G3Q G5C)	40Y8955	*
3	CD-ROM Drive 48X (models CTO A2A A2Q A2T 21A 21Q 21T D1C D2C D4A D4Q D4T E1C E2C E4A E4Q E4T 41A 41Q 41T 26Q 61Q G3Q G5C)	40Y8929	*
3	CD-ROM Drive 48X (models CTO A2A A2Q A2T 21A 21Q 21T D1C D2C D4A D4Q D4T E1C E2C E4A E4Q E4T 41A 41Q 41T 26Q 61Q G3Q G5C)	40Y8953	*
3	CD-ROM Drive 48X (models CTO A2A A2Q A2T 21A 21Q 21T D1C D2C D4A D4Q D4T E1C E2C E4A E4Q E4T 41A 41Q 41T 26Q 61Q G3Q G5C)	40Y8807	*
3	CD-RW Drive (48X/32X/48X) (models CTO 22A 22Q 22T D5A D5Q D5T E5A E5Q F1Q G2Q 82Q)	40Y8901	*

Item #	8328 FRUs	FRU#	CRU
3	CD-RW Drive (48X/32X/48X) (models CTO 22A 22Q 22T D5A D5Q D5T E5A E5Q F1Q G2Q 82Q)	40Y8937	*
3	DVD-ROM 16X/48X - Black (models CTO A1V B1V B2V D3V D7V E3V E7V G1V 71G 73G 81V 76G 77G 79G 51V G6V 91V 92V 7DG)	40Y8931	*
3	DVD-ROM 16X/48X - Black (models CTO A1V B1V B2V D3V D7V E3V E7V G1V 71G 73G 81V 76G 77G 79G 51V G6V 91V 92V 7DG)	40Y8933	*
3	DVD-ROM 16X/48X - Black (models CTO A1V B1V B2V D3V D7V E3V E7V G1V 71G 73G 81V 76G 77G 79G 51V G6V 91V 92V 7DG)	40Y8935	*
3	DVD-ROM 16X/48X - Black (models CTO A1V B1V B2V D3V D7V E3V E7V G1V 71G 73G 81V 76G 77G 79G 51V G6V 91V 92V 7DG)	40Y8957	*
3	DVD-ROM/CD-RW Combo Drive (48x/32x/48x/16x) (models CTO D6Q D8G E6Q F2Q 72G 74G 42A 42Q 42T 78G 7AG G4U G4A G4T 43A 43T 52A 7BG 7CG)	40Y8919	*
3	DVD-ROM/CD-RW Combo Drive (48x/32x/48x/16x) (models CTO D6Q D8G E6Q F2Q 72G 74G 42A 42Q 42T 78G 7AG G4U G4A G4T 43A 43T 52A 7BG 7CG)	40Y8941	*
3	Multi-Burner Plus (models CTO E8G 75G)	40Y8909	*
4	Hard Disk Drive 40GB 7200 rpm Serial ATA (models CTO)	40Y9033	*
4	Hard Disk Drive 40GB 7200 rpm Serial ATA (models CTO)	40Y8760	*
4	Hard Disk Drive 80GB 7200 rpm Serial ATA (models CTO A1V A2A A2Q A2T B1V B2V 21A 21Q 21T 22A 22Q 22T D1C D2C D3V D4A D4Q D4T D5A D5Q D5T D6Q D7V D8G E1C E2C E3V E4A E4Q E4T E5A E5Q E5T E6Q E7V F1Q F2Q G1V G2Q 71G 72G 73G 74G 41A 41Q 41T 42A 42Q 42T 81V 82Q 76G 77G 78G 79G 26Q 61Q G3Q G4U G4A G4T 43A 43T 51V 52A G5C G6V 91V 92V 7BG 7DG)	40Y9034	*
4	Hard Disk Drive 80GB 7200 rpm Serial ATA (models CTO A1V A2A A2Q A2T B1V B2V 21A 21Q 21T 22A 22Q 22T D1C D2C D3V D4A D4Q D4T D5A D5Q D5T D6Q D7V D8G E1C E2C E3V E4A E4Q E4T E5A E5Q E5T E6Q E7V F1Q F2Q G1V G2Q 71G 72G 73G 74G 41A 41Q 41T 42A 42Q 42T 81V 82Q 76G 77G 78G 79G 26Q 61Q G3Q G4U G4A G4T 43A 43T 51V 52A G5C G6V 91V 92V 7BG 7DG)	40Y8761	*
4	Hard Disk Drive 160GB 7200 rpm Serial ATA (models CTO E8G 75G 7AG 7CG)	40Y8762	*
4	Hard Disk Drive 160GB 7200 rpm Serial ATA (models CTO E8G 75G 7AG 7CG)	40Y9035	*
4	Hard Disk Drive 250GB 7200 rpm Serial ATA (models CTO)	40Y8763	*
4	Hard Disk Drive 250GB 7200 rpm Serial ATA (models CTO)	40Y9036	*
5	Rotating bay assembly (all models)	03R0285	**
6	Bezel Plastic Kit (all models)	26K1214	*
7	Slim Diskette Drive, 1.44 MB 3 mode (without cable and bezel) (models CTO A1V A2A A2Q A2T B1V B2V 21A 21Q 21T 22A 22Q 22T D1C D2C D3V D4A D4Q D4T D5A D5Q D5T D6Q D7V E1C E2C E3V E4A E4Q E4T E5A E5Q E5T E6Q E7V F1Q F2Q G1V G2Q 41A 41Q 41T 42A 42Q 42T 81V 82Q 26Q 61Q G3Q G4U G4A G4T 43A 43T 51V 52A G5C G6V 91V 92V)	40Y9109	*
7	Slim Diskette Drive, 1.44 MB 3 mode (without cable and bezel) (models CTO A1V A2A A2Q A2T B1V B2V 21A 21Q 21T 22A 22Q 22T D1C D2C D3V D4A D4Q D4T D5A D5Q D5T D6Q D7V E1C E2C E3V E4A E4Q E4T E5A E5Q E5T E6Q E7V F1Q F2Q G1V G2Q 41A 41Q 41T 42A 42Q 42T 81V 82Q 26Q 61Q G3Q G4U G4A G4T 43A 43T 51V 52A G5C G6V 91V 92V)	40Y9111	*
8	Heat Sink, Side Car w/baffle, Lead Free (all models)	26K1258	**
9	Microprocessor, 2.53GHZ Celeron Prescott P4 (533FSB, 256KB) (models CTO)	39J7004	**
9	Microprocessor, 2.66 GHZ Celeron Prescott P4 (533FSB, 256KB) (models CTO)	39J7005	**
9	Microprocessor, 2.8 GHZ Celeron Prescott P4 (533FSB, 256KB) (models CTO A1V A2A A2Q A2T 71G)	39J7006	**



Item #	8328 FRUs	FRU#	CRU
9	Microprocessor, 2.93 GHZ Celeron Prescott P4 (533FSB, 256KB) (models CTO B1V 72G 76G)	39J7007	**
9	Microprocessor, 3.06 GHZ Celeron Prescott P4 (533FSB, 256KB) (models CTO B2V 78G 79G 7AG 7BG)	39J7008	**
9	Microprocessor, 3.2 GHZ Celeron Prescott P4 (533FSB, 256KB) (models CTO)	39J9695	**
9	Microprocessor, 2.66 GHZ Prescott P4 (533FSB, 1MB) (models CTO 26Q)	41D0684	**
9	Microprocessor, 2.93 GHZ Prescott P4 (533FSB, 1MB) (models CTO)	41D0686	**
9	Microprocessor, 3.06 GHZ Prescott P4 (533FSB, 1MB) (models CTO 21A 21Q 21T 22A 22Q 22T)	41D0688	**
9	Microprocessor, 2.8 GHZ Prescott P4 (800FSB, 1MB) (models CTO 41A 41Q 41T 42A 42Q 42T 77G)	39J7009	**
9	Microprocessor, Pentium 4 3.06GHz 533MHz FSB 1MB L2 (models CTO 43A 43T 7BG)	41T4104	**
9	Microprocessor, 3.0 GHZ Prescott P4 (800FSB, 1MB) (models CTO 51V 52A)	39J7010	**
9	Microprocessor, 3.2 GHZ Prescott P4 (800FSB, 1MB) (models CTO)	39J7011	**
9	Microprocessor, 3.4 GHZ Prescott P4 (800FSB, 1MB) (models CTO)	39J7012	**
9	Microprocessor, 2.8 GHZ Prescott P4 (800FSB ,2MB) (models CTO 79G 61Q)	41X2412	**
9	Microprocessor, 3.0 GHZ Prescott P4 (800FSB, 2MB) (models CTO D1C D2C D3V D4A D4Q D4T D5A D5Q D5T D6Q D7V D8G 73G 74G)	39J7013	**
9	Microprocessor, 3.0 GHZ Cedar Mill P4 (800FSB, 2MB) (models CTO)	41D5042	**
9	Microprocessor, 3.2 GHZ Prescott P4 (800FSB, 2MB) (models CTO E1C E2C E3V E4A E4Q E4T E5A E5Q E5T E6Q E7V E8G 75G)	39J7014	**
9	Microprocessor, 3.2 GHZ Cedar Mill P4 (800FSB, 2MB) (models CTO)	41D5044	**
9	Microprocessor, 3.4 GHZ Prescott P4 (800FSB, 2MB) (models CTO F1Q F2Q)	39J7015	**
9	Microprocessor, 3.4 GHZ Cedar Mill P4 (800FSB, 2MB) (models CTO)	41D5046	**
9	Microprocessor, 3.6 GHZ Cedar Mill P4 (800FSB, 2MB) (models CTO)	41D5048	**
9	Microprocessor, Pentium D, 2.8 GHZ, 800MHz FSB, 1MBx2 L2 (models CTO G1V G2Q 7AG G3Q G4U G4A G4T G5C G6V 7CG 7DG)	39J8468	**
9	Microprocessor, Pentium D, 2.8 GHZ, 800MHz FSB, 2MBx2 L2 (models CTO 81V 82Q)	41D5050	**
9	Microprocessor, Pentium D, 3.0 GHz, 800MHz FSB, 2MBx2 L2 (models CTO)	41D5052	**
9	Microprocessor, 3.2 GHz Pentium D Processor 800MHz FSB 2Mx2 L2 C1-Value (models CTO 91K)	41X4230	**
9	Microprocessor, 3.2 GHz Pentium D Processor 800MHz FSB 2Mx2 L2 C1-Value (models CTO 92K)	TBD	**
10	System Board (models CTO A1V A2A A2Q A2T B1V B2V 21A 21Q 21T 22A 22Q 22T D1C D2C D3V D4A D4Q D4T D5A D5Q D5T D6Q D7V D8G E1C E2C E3V E4A E4Q E4T E5A E5Q E5T E6Q E7V E8G F1Q F2Q G1V G2Q 71G 72G 73G 74G 75G 41A 41Q 41T 42A 42Q 42T 81V 82Q 76G 77G 78G 79G 7AG 26Q 61Q G3Q G4U G4A G4T 43A 43T 51V 52A G5C G6V 91V 92V 7BG 7CG 7DG)	41D2469	**
11	256MB DDR2 SDRAM NP Memory (PC 4200) (models CTO A1V A2A A2Q A2T B1V B2V 21A 21Q 21T 22A 22Q 22T D1C D2C D3V D4A D4Q D4T D5A D5Q D5T D7V E1C E2C E3V E4A E4Q E4T E5A E5Q E5T E7V F1Q G1V G2Q 71G 41A 41Q 41T 81V 82Q 76G 77G 26Q 61Q G3Q 51V G5C G6V)	30R5120	*
11	512MB DDR2 SDRAM NP Memory (PC 4200) (models CTO D6Q D8G E6Q E8G F2Q 72G 73G 74G 75G 42A 42Q 42T 78G 79G 7AG G4U G4A G4T 43A 43T 52A 91V 92V 7BG 7CG 7DG)	30R5121	*

Item #	8328 FRUs	FRU#	CRU
11	1GB DDR2 SDRAM NP Memory (PC 4200) (models CTO)	30R5122	*
11	2GB DDR2 SDRAM NP Memory (PC 4200) (models CTO)	30R5123	*
12	Riser card assembly (all models)	41A7730	*
13	Speaker/cable assembly (all models)	39K5012	*
14	Chassis (all models)	26K1262	**

The FRUs listed in the following table are not illustrated.

8328 FRUs	FRU#	CRU
Hard disk Drive tray (all models)	03R0302	**
Floor stand and vertical deflector (all models)	74P0404	**
System board tray (all models)	26K1213	**
Internal plastic kit (all models)	03R0289	**
Cable, 2 Drop Hard Disk Drive and Optical - ATA 100 (all models)	26K1246	*
Cable, Optical (1 Drop) ATA 100 (all models)	26K1244	*
Cable, SATA Device (all models)	39K5026	*
Cable, pwr/LED (all models)	26K1242	*
Cable, Diskette Drive (all models)	26K1248	*
Fan assembly (all models)	26K1253	*
Battery (all models)	33F8354	*
Universal Adapter Bracket 5.25 to 3.5-inch (all models)	32P4743	*
Retention module, tool less heat sink (all models)	26K1281	*

8328 Keyboards (Preferred Pro Fullsize)	FRU#	CRU
US English (models CTO-U CTO-G A2A A2Q 21A 21Q 22A 22Q D1C D2C D4A D4Q D5A D5Q D6Q D8G E1C E2C E4A E4Q E5A E5Q E6Q E8G F1Q F2Q G2Q 71G 72G 73G 74G 75G 41A 41Q 42A 42Q 82Q 76G 77G 78G 79G 7AG 26Q 61Q G3Q G4U G4A 43A 52A G5C 7BG 7CG 7DG)	89P8300	*
Arabic (models CTO-G D8G E8G 71G 72G 73G 74G 75G 76G 77G 78G 79G 7AG 7BG 7CG 7DG)	89P8301	*
Belgian/French (models CTO-G D8G E8G 71G 72G 73G 74G 75G 76G 77G 78G 79G 7AG 7BG 7CG 7DG)	89P8302	*
Belgian/UK (models CTO-G D8G E8G 71G 72G 73G 74G 75G 76G 77G 78G 79G 7AG 7BG 7CG 7DG)	89P8303	*
Brazil/Portuguese (models CTO-L)	89P8304	*
Bulgarian (models CTO-G D8G E8G 71G 72G 73G 74G 75G 76G 77G 78G 79G 7AG 7BG 7CG 7DG)	89P8305	*
Chinese/US (models A1V B1V B2V D3V D7V E3V E7V G1V 81V 51V G6V 91V 92V)	89P8306	*
Czech (models CTO-G D8G E8G 71G 72G 73G 74G 75G 76G 77G 78G 79G 7AG 7BG 7CG 7DG)	89P8307	*
Danish (models CTO-G D8G E8G 71G 72G 73G 74G 75G 76G 77G 78G 79G 7AG 7BG 7CG 7DG)	89P8308	*
Dutch (models CTO-G D8G E8G 71G 72G 73G 74G 75G 76G 77G 78G 79G 7AG 7BG 7CG 7DG)	89P8309	*

8328 Keyboards (Preferred Pro Fullsize)	FRU#	CRU
French (models CTO-G D8G E8G 71G 72G 73G 74G 75G 76G 77G 78G 79G 7AG 7BG 7CG 7DG)	89P8310	*
French Canadian 445 (models CTO-U)	89P8311	*
French Canadian 58 (models CTO-U)	89P8312	*
German (models CTO-G D8G E8G 71G 72G 73G 74G 75G 76G 77G 78G 79G 7AG 7BG 7CG 7DG)	89P8313	*
Greek (models CTO-G D8G E8G 71G 72G 73G 74G 75G 76G 77G 78G 79G 7AG 7BG 7CG 7DG)	89P8314	*
Hebrew (models CTO-G D8G E8G 71G 72G 73G 74G 75G 76G 77G 78G 79G 7AG 7BG 7CG 7DG)	89P8315	*
Hungarian (models CTO-G D8G E8G 71G 72G 73G 74G 75G 76G 77G 78G 79G 7AG 7BG 7CG 7DG)	89P8316	*
Iceland (models CTO-G D8G E8G 71G 72G 73G 74G 75G 76G 77G 78G 79G 7AG 7BG 7CG 7DG)	89P8317	*
Italian (models CTO-G D8G E8G 71G 72G 73G 74G 75G 76G 77G 78G 79G 7AG 7BG 7CG 7DG)	89P8319	*
LA Spanish (models CTO-L)	89P8322	*
Norwegian (models CTO-G D8G E8G 71G 72G 73G 74G 75G 76G 77G 78G 79G 7AG 7BG 7CG 7DG)	89P8323	*
Polish (models CTO-G D8G E8G 71G 72G 73G 74G 75G 76G 77G 78G 79G 7AG 7BG 7CG 7DG)	89P8324	*
Portuguese (models CTO-G D8G E8G 71G 72G 73G 74G 75G 76G 77G 78G 79G 7AG 7BG 7CG 7DG)	89P8325	*
Romanian (models CTO-G D8G E8G 71G 72G 73G 74G 75G 76G 77G 78G 79G 7AG 7BG 7CG 7DG)	89P8326	*
Russian (models CTO-G D8G E8G 71G 72G 73G 74G 75G 76G 77G 78G 79G 7AG 7BG 7CG 7DG)	89P8327	*
Russian/Cyrillic (models CTO-G D8G E8G 71G 72G 73G 74G 75G 76G 77G 78G 79G 7AG 7BG 7CG 7DG)	89P8328	*
Serbian/Cyrillic (models CTO-G D8G E8G 71G 72G 73G 74G 75G 76G 77G 78G 79G 7AG 7BG 7CG 7DG)	89P8329	*
Slovak (models CTO-G D8G E8G 71G 72G 73G 74G 75G 76G 77G 78G 79G 7AG 7BG 7CG 7DG)	89P8330	*
Spanish (models CTO-G D8G E8G 71G 72G 73G 74G 75G 76G 77G 78G 79G 7AG 7BG 7CG 7DG)	89P8331	*
Swedish/Finn (models CTO-G D8G E8G 71G 72G 73G 74G 75G 76G 77G 78G 79G 7AG 7BG 7CG 7DG)	89P8332	*
Swiss F/G (models CTO-G D8G E8G 71G 72G 73G 74G 75G 76G 77G 78G 79G 7AG 7BG 7CG 7DG)	89P8333	*
Thailand (models CTO-A A2T 21T 22T D4T D5T E4T E5T 41T 42T G4T 43T)	89P8334	*
Turkish 179 (models CTO-G D8G E8G 71G 72G 73G 74G 75G 76G 77G 78G 79G 7AG 7BG 7CG 7DG)	89P8336	*
UK English (models CTO-G D8G E8G 71G 72G 73G 74G 75G 76G 77G 78G 79G 7AG 7BG 7CG 7DG)	89P8337	*
US Euro (models CTO-G D8G E8G 71G 72G 73G 74G 75G 76G 77G 78G 79G 7AG 7BG 7CG 7DG)	89P8338	*

8328 Keyboards (Preferred Pro Fullsize)	FRU#	CRU
Yugoslav/Latin (models CTO-G D8G E8G 71G 72G 73G 74G 75G 76G 77G 78G 79G 7AG 7BG 7CG 7DG)	89P8339	*

8328 Keyboards (with fingerprint reader)	FRU#	CRU
US English (models CTO-U CTO-G)	89P9000	*
Arabic (models CTO-G)	89P9001	*
Arabic/French (models CTO-G)	89P9002	*
Belgian/French (models CTO-G)	89P9003	*
Belgian/UK (models CTO-G)	89P9004	*
Brazilian Portuguese (models CTO-L)	89P9005	*
Bulgarian (models CTO-G)	89P9006	*
Chinese/US (models CTO-G)	89P9007	*
Czech (models CTO-G)	89P9008	*
Danish (models CTO-G)	89P9009	*
Dutch (models CTO-G)	89P9010	*
French (models CTO-G)	89P9011	*
French Canadian 445 (models CTO-U)	89P9012	*
French Canadian 58 (models CTO-U)	89P9013	*
German (models CTO-G)	89P9014	*
Greek (models CTO-G)	89P9015	*
Hebrew (models CTO-G)	89P9016	*
Hungarian (models CTO-G)	89P9017	*
Iceland (models CTO-G)	89P9018	*
Italian 141 (models CTO-G)	89P9019	*
LA Spanish (models CTO-L)	89P9022	*
Norwegian (models CTO-G)	89P9023	*
Polish (models CTO-G)	89P9024	*
Portuguese (models CTO-G)	89P9025	*
Romanian (models CTO-G)	89P9026	*
Romanian (models CTO-G)	89P9027	*
Russian/Cyrillic (models CTO-G)	89P9028	*
Serbian/Cyrillic (models CTO-G)	89P9029	*
Slovak (models CTO-G)	89P9030	*
Spanish (models CTO-G)	89P9031	*
Swedish/Finn (models CTO-G)	89P9032	*
Swiss F/G (models CTO-G)	89P9033	*
Thailand (models CTO-A)	89P9034	*
Turkish 440 (models CTO-G)	89P9035	*
Turkish 179 (models CTO-G)	89P9036	*
UK English (models CTO-G)	89P9037	*
US Euro (models CTO-G)	89P9038	*

8328 Keyboards (with fingerprint reader)	FRU#	CRU
Yugoslav/Latin (models CTO-G)	89P9039	*

8328 mice	FRU#	CRU
Mouse, Scrollpoint Optical, USB (models CTO)	41A4933	*
Mouse, Optical Wheelmouse, USB (all models)	41A4935	*
Mouse, PS2 Wheelmouse, black (models CTO)	41A4917	*

8328 Adapters and miscellaneous FRU	FRU#	CRU
Soft Modem V.90/V.44 (models CTO)	29R9729	*
PCI-E DVI-D Connection Adapter (ADD 2-R) (Full Height) (models CTO D8G E8G 74G 75G 7BG 7CG)	39J9334	*
Speakers, Jazz Infinity Active T1 (Black) (models CTO)	89P8589	*
Speaker Power brick - US, Canada, LA (low voltage), Taiwan, Phillipines, Thailand (models CTO-U CTO-L CTO-A)	89P8571	*
Speaker Power brick - UK, Hong Kong (British version), ASEAN (models CTO-A)	89P8573	*
Speaker Brick - Europe and LA (high voltage) (models CTO-G CTO-L)	89P8575	*
Speaker Power brick (newer 2 prong) - China, Thailand, Phillipines (models CTO-A)	89P8581	*
Speaker Power brick - ANZ (models CTO-A)	89P8579	*
Speaker Power brick - Brazil (models CTO-L)	89P8583	*
Speaker Power brick - India, South Africa (models CTO-A CTO-G)	89P8585	*
Speaker Power brick - Argentina (models CTO-L)	41A4901	*
RJ11 connector adapter (Spain, Ireland) (All "G" models)	60H6043	*
RJ11 connector adapter (Austria) (All "G" models)	60H6045	*
RJ11 connector adapter (Belgium) (All "G" models)	60H6046	*
RJ11 connector adapter (Denmark) (All "G" models)	60H6047	*
RJ11 connector adapter (Norway, Finland) (All "G" models)	60H6048	*
RJ11 connector adapter (France) (All "G" models)	60H6049	*
RJ11 connector adapter (Germany) (All "G" models)	60H6050	*
RJ11 connector adapter (UK, NZ, HK) (All "G", "M", "B", "H" models)	60H6051	*
RJ11 connector adapter (Italy) (All "G" models)	60H6052	*
RJ11 connector adapter (Netherlands) (All "G" models)	60H6053	*
RJ11 connector adapter (Sweden) (All "G" models)	60H6054	*
RJ11 connector adapter (Switzerland) (All "G" models)	60H6055	*

8328 Power Cords	FRU#	CRU
Power cord - US (models CTO-U A2A A2T 21A 21T 22A 22T D4A D4T D5A D5T E4A E4T E5A E5T 41A 41T 42A 42T G4U G4A G4T 43A 43T 52A)	39M5080	*
Power cord - china (models D1C D2C E1C E2C G5C)	39M5205	*
Power cord - Brazil (models CTO-L)	39M5232	*
Power cord - LA High Volt (APU) (models CTO-L)	39M5067	*
Power cord - Australia/New Zealand (models CTO-A)	39M5102	*
Power cord - Hong Kong (models CTO-A)	39M5151	*

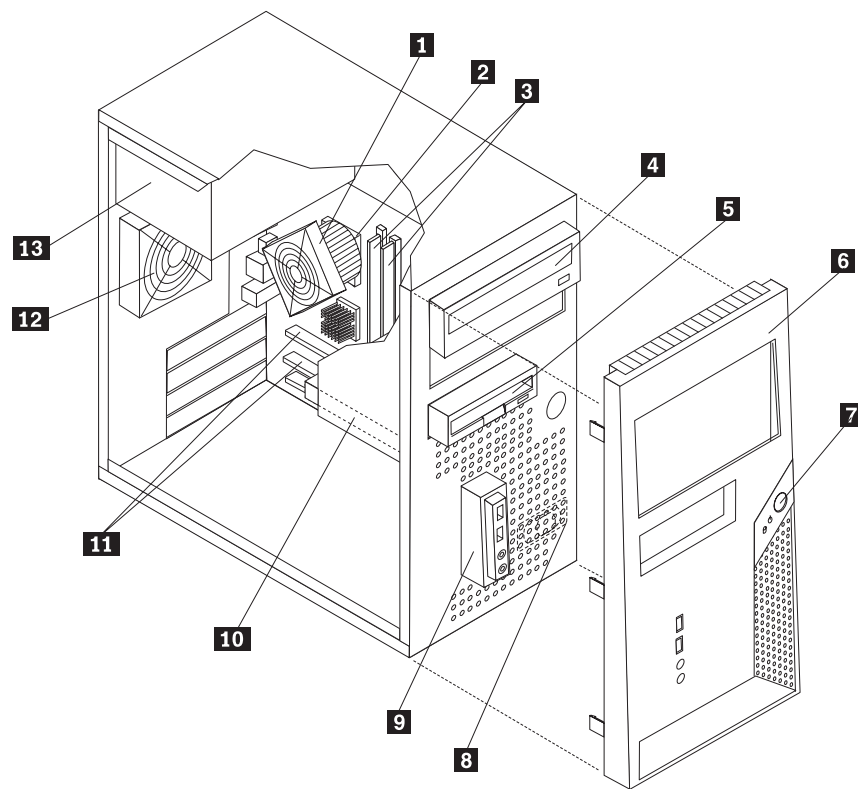
8328 Power Cords	FRU#	CRU
Power cord - UK, Ireland, Singapore, Malaysia, Brunei (models CTO-G CTO-A A2A 21A 22A D4A D5A D8G E4A E5A E8G 71G 72G 73G 74G 75G 41A 42A 76G 77G 78G 79G 7AG G4A 43A 52A 7BG 7CG 7DG)	39M5150	*
Power cord - Taiwan (models A1V B1V B2V D3V D7V E3V E7V G1V 81V 51V G6V 91V 92V)	39M5246	*
Power cord - Italy (models CTO-G D8G E8G 71G 72G 73G 74G 75G 76G 77G 78G 79G 7AG 7BG 7CG 7DG)	39M5164	*
Power cord - G models (models CTO-G A2A 21A 22A D4A D5A D8G E4A E5A E8G 71G 72G 73G 74G 75G 41A 42A 76G 77G 78G 79G 7AG G4A 43A 52A 7BG 7CG 7DG)	39M5122	*
Power cord - Denmark (models CTO-G D8G E8G 71G 72G 73G 74G 75G 76G 77G 78G 79G 7AG 7BG 7CG 7DG)	39M5129	*
Power cord - Switzerland (models CTO-G D8G E8G 71G 72G 73G 74G 75G 76G 77G 78G 79G 7AG 7BG 7CG 7DG)	39M5157	*
Power cord - Israel (models CTO-G D8G E8G 71G 72G 73G 74G 75G 76G 77G 78G 79G 7AG 7BG 7CG 7DG)	39M5171	*
Power cord - South Africa (models CTO-G A2A 21A 22A D4A D5A D8G E4A E5A E8G 71G 72G 73G 74G 75G 41A 42A 76G 77G 78G 79G 7AG G4A 43A 52A 7BG 7CG 7DG)	39M5143	*
Power cord - India (models CTO-A A2Q 21Q 22Q D4Q D5Q D6Q E4Q E5Q E6Q F1Q F2Q G2Q 41Q 42Q 82Q 26Q 61Q G3Q)	39M5004	*

8328 Windows XP Home Recovery CDs	FRU#	CRU
Simplified chinese (models D2C E2C)	39T9146	*

8328 Windows XP Pro Recovery CDs	FRU#	CRU
US/UK/AP/TH (models A2A A2Q A2T 21A 21Q 21T 22A 22Q 22T D4A D4Q D4T D5A D5Q D5T D6Q D8G E4A E4Q E4T E5A E5Q E5T E6Q E8G F1Q F2Q G2Q 71G 72G 73G 74G 75G 41A 41Q 41T 42A 42Q 42T 82Q 76G 77G 78G 79G 7AG 26Q 61Q G3Q G4U G4A G4T 43A 43T 52A 7BG 7CG 7DG)	41T1809	*
RE (models D8G E8G 71G 72G 73G 74G 75G 76G 77G 78G 79G 7AG 7BG 7CG 7DG)	41T4985	*
FR/CF (models D8G E8G 71G 72G 73G 74G 75G 76G 77G 78G 79G 7AG 7BG 7CG 7DG)	41T4134	*
GR (models D8G E8G 71G 72G 73G 74G 75G 76G 77G 78G 79G 7AG 7BG 7CG 7DG)	41T4135	*
SP/LA (models D8G E8G 71G 72G 73G 74G 75G 76G 77G 78G 79G 7AG 7BG 7CG 7DG)	41T4136	*
IT (models D8G E8G 71G 72G 73G 74G 75G 76G 77G 78G 79G 7AG 7BG 7CG 7DG)	41T4137	*
SV (models D8G E8G 71G 72G 73G 74G 75G 76G 77G 78G 79G 7AG 7BG 7CG 7DG)	41T4139	*
DK (models D8G E8G 71G 72G 73G 74G 75G 76G 77G 78G 79G 7AG 7BG 7CG 7DG)	41T4991	*
FI (models D8G E8G 71G 72G 73G 74G 75G 76G 77G 78G 79G 7AG 7BG 7CG 7DG)	41T4997	*
NO (models D8G E8G 71G 72G 73G 74G 75G 76G 77G 78G 79G 7AG 7BG 7CG 7DG)	41T5003	*
NL (models D8G E8G 71G 72G 73G 74G 75G 76G 77G 78G 79G 7AG 7BG 7CG 7DG)	41T5009	*
HE (models D8G E8G 71G 72G 73G 74G 75G 76G 77G 78G 79G 7AG 7BG 7CG 7DG)	41T5015	*
PL (models D8G E8G 71G 72G 73G 74G 75G 76G 77G 78G 79G 7AG 7BG 7CG 7DG)	41T5021	*
CZ (models D8G E8G 71G 72G 73G 74G 75G 76G 77G 78G 79G 7AG 7BG 7CG 7DG)	41T5027	*
AE (models D8G E8G 71G 72G 73G 74G 75G 76G 77G 78G 79G 7AG 7BG 7CG 7DG)	41T5033	*
RU (models D8G E8G 71G 72G 73G 74G 75G 76G 77G 78G 79G 7AG 7BG 7CG 7DG)	41T5039	*
TR (models D8G E8G 71G 72G 73G 74G 75G 76G 77G 78G 79G 7AG 7BG 7CG 7DG)	41T5045	*
HU (models D8G E8G 71G 72G 73G 74G 75G 76G 77G 78G 79G 7AG 7BG 7CG 7DG)	41T5051	*

8328 Windows XP Pro Recovery CDs	FRU#	CRU
PO (models D8G E8G 71G 72G 73G 74G 75G 76G 77G 78G 79G 7AG 7BG 7CG 7DG)	41T5057	*
GK (models D8G E8G 71G 72G 73G 74G 75G 76G 77G 78G 79G 7AG 7BG 7CG 7DG)	41T5063	*
SL (models D8G E8G 71G 72G 73G 74G 75G 76G 77G 78G 79G 7AG 7BG 7CG 7DG)	41T5069	*
Taiwan-TC (models A1V B1V B2V D3V D7V E3V E7V G1V 81V 91V 92V)	39T9154	*
Multilingual 1 (models D8G E8G 71G 72G 73G 74G 75G 76G 77G 78G 79G 7AG 7BG 7CG 7DG)	41T4206	*
Multilingual 2 (models D8G E8G 71G 72G 73G 74G 75G 76G 77G 78G 79G 7AG 7BG 7CG 7DG)	41T5159	*

## Machine Type 8329



Item #	8329 FRUs	FRU#	CRU
1	Intel-Circular Radial Fin Fansink for 84W CPUs (all models)	41D3552	**
2	Microprocessor 2.53GHZ Celeron Prescott P4 (533 FSB, 256KB) (models CTO)	41T1693	**
2	Microprocessor 2.66GHZ Celeron Prescott P4 (533 FSB, 256KB) (models CTO A1S A1P A1L A1Y A2S A2P A2L A2Y)	41T1694	**
2	Microprocessor 2.8GHZ Celeron Prescott P4 (533 FSB, 256KB) (models CTO A3S A3P A3L A3Y A4S A4P A4L A4Y)	41T1695	**
2	Microprocessor 2.93GHZ Celeron Prescott P4 (533 FSB, 256KB) (models CTO B1S B1P B1L B1Y B2S B2P B2L B2Y)	41T1696	**
2	Microprocessor 3.06GHZ Celeron Prescott P4 (533 FSB, 256KB) (models CTO B3G B4S B4P B4Y)	41T1697	**
2	Microprocessor 3.20GHZ Celeron Prescott P4 (533 FSB, 256KB) (models CTO)	41T1698	**

Item #	8329 FRUs	FRU#	CRU
2	Microprocessor 2.66GHZ Prescott P4 (533 FSB, 1MB) (models CTO)	41T1706	**
2	Microprocessor 2.93GHZ Prescott P4 (533 FSB, 1MB) (models CTO 21S 21P 21L 21Y 22S 22P 22L 22Y)	41T1707	**
2	Microprocessor 3.06GHZ Prescott P4 (533 FSB, 1MB) (models CTO 23S 23P 23L 23Y 24S 24P 24L 24Y)	41T1708	**
2	Microprocessor 2.8GHZ Prescott P4 (800 FSB, 1MB) (models CTO 41A 41P 41L 41Y 42A 42P 42L 42Y 43A 43P 43L 43Y 44A 44P 44L 44Y 45A 45P 45L 45Y 46U 46F)	41T1700	**
2	Microprocessor, Pentium 4 3.06GHz 533MHz FSB 1MB L2 (models CTO 47S 47P 47Y 48G 49U)	41T4104	**
2	Microprocessor 3.0GHZ Prescott P4 (800 FSB, 1MB) (models CTO 51S 51P 51Y 52S 52P 52Y)	41T1701	**
2	Microprocessor 3.2GHZ Prescott P4 (800 FSB, 1MB) (models CTO 61S 61P 61Y 62S 62P 62Y 63S 63P 63Y 64U)	41T1702	**
2	Microprocessor 3.4GHZ Prescott P4 (800 FSB, 1MB) (models CTO)	41T1703	**
2	Microprocessor 3.0GHZ Prescott P4 (800 FSB, 2MB) (models CTO D1U D1F D2S D2P D2L D2Y D3S D3P D3L D3Y)	41T1709	**
2	Microprocessor 3.0GHZ Cedar Mill P4 (800 FSB, 2MB) (models CTO)	41T1712	**
2	Microprocessor 3.2GHZ Prescott P4 (800 FSB, 2MB) (models CTO E1U E1F E2S E2P E2L E2Y E3S E3P E3L E3Y E4S E4P E4L E4Y E5G)	41T1710	**
2	Microprocessor 3.2GHZ Cedar Mill P4 (800 FSB, 2MB) (models CTO)	41T1713	**
2	Microprocessor 3.4GHZ Prescott P4 (800 FSB, 2MB) (models CTO F1U F1F F2S F2P F2L F2Y F3S F3P F3L F3Y)	41T1711	**
2	Microprocessor 3.4GHZ Cedar Mill P4 (800 FSB, 2MB) (models CTO)	41T1714	**
2	Microprocessor 3.6GHZ Cedar Mill P4 (800 FSB, 2MB) (models CTO H1U H1F H2U H2F)	41T1715	**
2	Microprocessor 2.8GHZ Smithfield P4 (800 FSB, 2x1MB) (models CTO G1U G1F G2S G2P G2Y G3S G3P G3Y)	41T1704	**
2	Microprocessor 2.8GHZ Presler P4 (800 FSB, 2x2MB) (models CTO 81U 81F 82U 82F)	41T1716	**
2	Microprocessor, Pentium D, 3.0 GHz, 800MHz FSB, 2MBx2 L2 (models CTO 85S 85P 85Y 86S 86P 86Y)	TBD	**
2	Microprocessor 3.0GHZ Presler P4 (800 FSB, 2x2MB) (models CTO 91U 91F 92U 92F)	41D5052	**
2	Microprocessor, Pentium D 3.2 GHz 800 FSB 2MBx2 L2 C1-Value) (models CTO J1S J1P J1Y J2S J2P J2Y J3U)	TBD	**
3	Memory module, 256MB DDR2 SDRAM NP Memory PC 4200) (models CTO A1S A1P A1L A1Y A2S A2P A2L A2Y A3S A3P A3L A3Y A4S A4P A4L A4Y B1S B1P B1L B1Y B2S B2P B2L B2Y B3G 21S 21P 21L 21Y 22S 22P 22L 22Y 23S 23P 23L 23Y 24S 24P 24L 24Y D2S D2P D2L D2Y D3S D3P D3L D3Y E2S E2P E2L E2Y E3S E3P E3L E3Y E4S E4P E4L E4Y F2S F2P F2L F2Y F3S F3P F3L F3Y 41A 41P 41L 41Y 42A 42P 42L 42Y 43A 43P 43L 43Y 44A 44P 44L 44Y 45A 45P 45L 45Y B4S B4P B4Y 47S 47P 47Y 51S 51P 51Y 61S 61P 61Y)	30R5120	**
3	Memory module, 512MB DDR2 SDRAM NP Memory PC 4200) (models CTO D1U D1F E1U E1F E5G F1U F1F 46U 46F H1U H1F H2U H2F 81U 81F 82U 82F 91U 91F 92U 92F G1U G1F 48G 49U 52S 52P 52Y 62S 62P 62Y 63S 63P 63Y 64U G2S G2P G2Y G3S G3P G3Y J1S J1P J1Y J2S J2P J2Y J3U 85S 85P 85Y 86S 86P 86Y)	30R5121	**
3	Memory module, 1GB DDR2 SDRAM NP Memory PC 4200) (models CTO)	30R5122	**



3	Memory module, 2GB DDR2 SDRAM NP Memory PC 4200) (models CTO)	30R5123	**
3	Memory module, 256MB DDR2 SDRAM NP Memory PC 5300) (models CTO)	30R5124	**
3	Memory module, 512MB DDR2 SDRAM NP Memory PC 5300) (models CTO)	30R5125	**
3	Memory module, 1GB DDR2 SDRAM NP Memory PC 5300) (models CTO)	30R5126	**
4	CD-ROM drive 48X (models CTO A2S A2P A2L A2Y A3S A3P A3L A3Y B2S B2P B2L B2Y 22S 22P 22L 22Y 23S 23P 23L 23Y D1U D1F D2S D2P D2L D2Y E1U E1F E2S E2P E2L E2Y F1U F1F F2S F2P F2L F2Y 42A 42P 42L 42Y 43A 43P 43L 43Y 46U 46F H1U H1F 82U 82F 92U 92F G1U G1F B4S B4P B4Y 47S 47P 47Y 51S 51P 51Y 52S 52P 52Y 61S 61P 61Y 62S 62P 62Y 64U G2S G2P G2Y J1S J1P J1Y J3U 85S 85P 85Y)	40Y8955	*
4	CD-ROM drive 48X (models CTO CTO A2S A2P A2L A2Y A3S A3P A3L A3Y B2S B2P B2L B2Y 22S 22P 22L 22Y 23S 23P 23L 23Y D1U D1F D2S D2P D2L D2Y E1U E1F E2S E2P E2L E2Y F1U F1F F2S F2P F2L F2Y 42A 42P 42L 42Y 43A 43P 43L 43Y 46U 46F H1U H1F 82U 82F 92U 92F G1U G1F B4S B4P B4Y 47S 47P 47Y 51S 51P 51Y 52S 52P 52Y 61S 61P 61Y 62S 62P 62Y 64U G2S G2P G2Y J1S J1P J1Y J3U 85S 85P 85Y)	40Y8929	**
4	CD-ROM drive 48X (models CTO A2S A2P A2L A2Y A3S A3P A3L A3Y B2S B2P B2L B2Y 22S 22P 22L 22Y 23S 23P 23L 23Y D1U D1F D2S D2P D2L D2Y E1U E1F E2S E2P E2L E2Y F1U F1F F2S F2P F2L F2Y 42A 42P 42L 42Y 43A 43P 43L 43Y 46U 46F H1U H1F 82U 82F 92U 92F G1U G1F B4S B4P B4Y 47S 47P 47Y 51S 51P 51Y 52S 52P 52Y 61S 61P 61Y 62S 62P 62Y 64U G2S G2P G2Y J1S J1P J1Y J3U 85S 85P 85Y)	40Y8953	**
4	CD-ROM drive 48X (models CTO A2S A2P A2L A2Y A3S A3P A3L A3Y B2S B2P B2L B2Y 22S 22P 22L 22Y 23S 23P 23L 23Y D1U D1F D2S D2P D2L D2Y E1U E1F E2S E2P E2L E2Y F1U F1F F2S F2P F2L F2Y 42A 42P 42L 42Y 43A 43P 43L 43Y 46U 46F H1U H1F 82U 82F 92U 92F G1U G1F B4S B4P B4Y 47S 47P 47Y 51S 51P 51Y 52S 52P 52Y 61S 61P 61Y 62S 62P 62Y 64U G2S G2P G2Y J1S J1P J1Y J3U 85S 85P 85Y)	40Y8807	**
4	CD-RW drive (48/32X/48X) (models CTO A1S A1P A1L A1Y A4S A4P A4L A4Y B1S B1P B1L B1Y 21S 21P 21L 21Y D3S D3P D3L D3Y E3S E3P E3L E3Y E4S E4P E4L E4Y F3S F3P F3L F3Y 41A 41P 41L 41Y 44A 44P 44L 44Y)	40Y8901	*
4	CD-RW drive (48/32X/48X) (models CTO A1S A1P A1L A1Y A4S A4P A4L A4Y B1S B1P B1L B1Y 21S 21P 21L 21Y D3S D3P D3L D3Y E3S E3P E3L E3Y E4S E4P E4L E4Y F3S F3P F3L F3Y 41A 41P 41L 41Y 44A 44P 44L 44Y)	40Y8937	*
4	DVD-ROM drive (16X/48X) - black (models CTO B3G 48G)	40Y8931	*
4	DVD-ROM drive (16X/48X) - black (models CTO B3G 48G)	40Y8933	*
4	DVD-ROM drive (16X/48X) - black (models CTO B3G 48G)	40Y8935	*
4	DVD-ROM drive (16X/48X) - black (models CTO B3G 48G)	40Y8957	*
4	CD-RW/DVD-ROM Combo drive (48X/32X/48X/16X Max) (models CTO 24S 24P 24L 24Y E5G 45A 45P 45L 45Y H2U H2F 81U 81F 91U 91F 63S 63P 63Y G3S G3P G3Y J2S J2P J2Y 86S 86P 86Y)	40Y8919	*
4	CD-RW/DVD-ROM Combo drive (48X/32X/48X/16X Max) (models CTO 24S 24P 24L 24Y E5G 45A 45P 45L 45Y H2U H2F 81U 81F 91U 91F 63S 63P 63Y G3S G3P G3Y J2S J2P J2Y 86S 86P 86Y)	40Y8941	*
4	Multiburner Plus (models CTO)	40Y8909	*
5	Diskette drive, 3,5", 1.44MB, 3Mode,(wo/bezel) (models CTO A2S A2P A2L A2Y A3S A3P A3L A3Y B2S B2P B2L B2Y 21S 21P 21L 21Y 22S 22P 22L 22Y 23S 23P 23L 23Y 24S 24P 24L 24Y D2S D2P D2L D2Y E2S E2P E2L E2Y F2S F2P F2L F2Y 42A 42P 42L 42Y 43A 43P 43L 43Y B4S B4P B4Y 47S 47P 47Y 51S 51P 51Y 52S 52P 52Y 61S 61P 61Y 62S 62P 62Y 63S 63P 63Y G2S G2P G2Y G3S G3P G3Y J1S J1P J1Y J2S J2P J2Y 85S 85P 85Y 86S 86P 86Y)	40Y9107	*

5	Diskette drive, 3,5", 1.44MB, 3Mode,(wo/bezel) (models CTO A2S A2P A2L A2Y A3S A3P A3L A3Y B2S B2P B2L B2Y 21S 21P 21L 21Y 22S 22P 22L 22Y 23S 23P 23L 23Y 24S 24P 24L 24Y D2S D2P D2L D2Y E2S E2P E2L E2Y F2S F2P F2L F2Y 42A 42P 42L 42Y 43A 43P 43L 43Y B4S B4P B4Y 47S 47P 47Y 51S 51P 51Y 52S 52P 52Y 61S 61P 61Y 62S 62P 62Y 63S 63P 63Y G2S G2P G2Y G3S G3P G3Y J1S J1P J1Y J2S J2P J2Y 85S 85P 85Y 86S 86P 86Y)	40Y9105	*
5	Diskette drive, 3,5", 1.44MB, 3Mode,(wo/bezel) (models CTO A2S A2P A2L A2Y A3S A3P A3L A3Y B2S B2P B2L B2Y 21S 21P 21L 21Y 22S 22P 22L 22Y 23S 23P 23L 23Y 24S 24P 24L 24Y D2S D2P D2L D2Y E2S E2P E2L E2Y F2S F2P F2L F2Y 42A 42P 42L 42Y 43A 43P 43L 43Y B4S B4P B4Y 47S 47P 47Y 51S 51P 51Y 52S 52P 52Y 61S 61P 61Y 62S 62P 62Y 63S 63P 63Y G2S G2P G2Y G3S G3P G3Y J1S J1P J1Y J2S J2P J2Y 85S 85P 85Y 86S 86P 86Y)	40Y9113	*
6	Bezel assembly (all models)	41A7185	**
7	Power switch/LED assembly (RoHs) (all models)	41N5284	**
8	Speaker assembly, Soldered terminals ( all models)	39P5023	**
9	Front audio/USB assembly (all models)	41A7187	**
10	Hard disk drive, 40GB (7200RPM), Serial ATA (models CTO)	40Y9033	*
10	Hard disk drive, 40GB (7200RPM), Serial ATA (models CTO)	40Y8760	*
10	Hard disk drive, 80GB (7200RPM), Serial ATA (models J1S J1P J1Y J2S J2P J2Y J3U 85S 85P 85Y 86S 86P 86Y CTO A1S A1P A1L A1Y A2S A2P A2L A2Y A3S A3P A3L A3Y A4S A4P A4L A4Y B1S B1P B1L B1Y B2S B2P B2L B2Y B3G 21S 21P 21L 21Y 22S 22P 22L 22Y 23S 23P 23L 23Y D1U D1F D2S D2P D2L D2Y D3S D3P D3L D3Y E1U E1F E2S E2P E2L E2Y E3S E3P E3L E3Y E5G F1U F1F F2S F2P F2L F2Y 41A 41P 41L 41Y 42A 42P 42L 42Y 43A 43P 43L 43Y 44A 44P 44L 44Y 46U 46F H1U H1F H2U H2F 81U 81F 82U 82F 92U 92F G1U G1F B4S B4P B4Y 47S 47P 47Y 48G 49U 51S 51P 51Y 52S 52P 52Y 61S 61P 61Y 62S 62P 62Y 63S 63P 63Y 64U G2S G2P G2Y G3S G3P G3Y)	40Y9034	*
10	Hard disk drive, 80GB (7200RPM), Serial ATA (models J1S J1P J1Y J2S J2P J2Y J3U 85S 85P 85Y 86S 86P 86Y CTO A1S A1P A1L A1Y A2S A2P A2L A2Y A3S A3P A3L A3Y A4S A4P A4L A4Y B1S B1P B1L B1Y B2S B2P B2L B2Y B3G 21S 21P 21L 21Y 22S 22P 22L 22Y 23S 23P 23L 23Y D1U D1F D2S D2P D2L D2Y D3S D3P D3L D3Y E1U E1F E2S E2P E2L E2Y E3S E3P E3L E3Y E5G F1U F1F F2S F2P F2L F2Y 41A 41P 41L 41Y 42A 42P 42L 42Y 43A 43P 43L 43Y 44A 44P 44L 44Y 46U 46F H1U H1F H2U H2F 81U 81F 82U 82F 92U 92F G1U G1F B4S B4P B4Y 47S 47P 47Y 48G 49U 51S 51P 51Y 52S 52P 52Y 61S 61P 61Y 62S 62P 62Y 63S 63P 63Y 64U G2S G2P G2Y G3S G3P G3Y)	40Y8761	*
10	Hard disk drive, 160GB (7200RPM), Serial ATA (models CTO 24S 24P 24L 24Y E4S E4P E4L E4Y F3S F3P F3L F3Y 45A 45P 45L 45Y 91U 91F)	40Y8762	*
10	Hard disk drive, 160GB (7200RPM), Serial ATA (models CTO 24S 24P 24L 24Y E4S E4P E4L E4Y F3S F3P F3L F3Y 45A 45P 45L 45Y 91U 91F)	40Y9035	*
10	Hard disk drive, 250GB (7200RPM), Serial ATA (models CTO)	40Y8763	*
10	Hard disk drive, 250GB (7200RPM), Serial ATA (models CTO)	40Y9036	*
11	System board, 945GZ (models 41A 41P 41L 41Y 42A 42P 42L 42Y 43A 43P 43L 43Y 44A 44P 44L 44Y 45A 45P 45L 45Y 46U 46F H1U H1F H2U H2F 81U 81F 82U 82F 91U 91F 92U 92F G1U G1F B4S B4P B4Y 47S 47P 47Y 48G 49U 51S 51P 51Y 52S 52P 52Y 61S 61P 61Y 62S 62P 62Y 63S 63P 63Y 64U G2S G2P G2Y G3S G3P G3Y J1S J1P J1Y J2S J2P J2Y J3U 85S 85P 85Y 86S 86P 86Y CTO A1S A1P A1L A1Y A2S A2P A2L A2Y A3S A3P A3L A3Y A4S A4P A4L A4Y B1S B1P B1L B1Y B2S B2P B2L B2Y B3G 21S 21P 21L 21Y 22S 22P 22L 22Y 23S 23P 23L 23Y 24S 24P 24L 24Y D1U D1F D2S D2P D2L D2Y D3S D3P D3L D3Y E1U E1F E2S E2P E2L E2Y E3S E3P E3L E3Y E4S E4P E4L E4Y E5G F1U F1F F2S F2P F2L F2Y F3S F3P F3L F3Y 41A 41P 41L 41Y 42A 42P 42L 42Y 43A 43P 43L 43Y 44A 44P 44L 44Y 45A 45P 45L 45Y 46U 46F H1U H1F H2U H2F 81U 81F 82F 91U 91F 92U 92F)	41D2471	*

11	System board, 945GZ (models 41A 41P 41L 41Y 42A 42P 42L 42Y 43A 43P 43L 43Y 44A 44P 44L 44Y 45A 45P 45L 45Y 46U 46F H1U H1F H2U H2F 81U 81F 82U 82F 91U 91F 92U 92F G1U G1F B4S B4P B4Y 47S 47P 47Y 48G 49U 51S 51P 51Y 52S 52P 52Y 61S 61P 61Y 62S 62P 62Y 63S 63P 63Y 64U G2S G2P G2Y G3S G3P G3Y J1S J1P J1Y J2S J2P J2Y J3U 85S 85P 85Y 86S 86P 86Y CTO A1S A1P A1L A1Y A2S A2P A2L A2Y A3S A3P A3L A3Y A4S A4P A4L A4Y B1S B1P B1L B1Y B2S B2P B2L B2Y B3G 21S 21P 21L 21Y 22S 22P 22L 22Y 23S 23P 23L 23Y 24S 24P 24L 24Y D1U D1F D2S D2P D2L D2Y D3S D3P D3L D3Y E1U E1F E2S E2P E2L E2Y E3S E3P E3L E3Y E4S E4P E4L E4Y E5G F1U F1F F2S F2P F2L F2Y F3S F3P F3L F3Y 41A 41P 41L 41Y 42A 42P 42L 42Y 43A 43P 43L 43Y 44A 44P 44L 44Y 45A 45P 45L 45Y 46U 46F H1U H1F H2U H2F 81U 81F 82F 91U 91F 92U 92F)	41X2050	*
12	System fan (models)	TBD	**
13	Power supply (230W) (models CTO B3G D1U D1F E1U E1F E5G F1U F1F 41A 42A 43A 44A 45A 46U 46F H1U H1F H2U H2F 81U 81F 82U 82F 91U 91F 92U 92F G1U G1F 48G 49U 64U J3U)	41N3094	**
13	Power supply (230W) (China) (models CTO-A CTO-L A1S A1P A1L A1Y A2S A2P A2L A2Y A3S A3P A3L A3Y A4S A4P A4L A4Y B1S B1P B1L B1Y B2S B2P B2L B2Y 21S 21P 21L 21Y 22S 22P 22L 22Y 23S 23P 23L 23Y 24S 24P 24L 24Y D2S D2P D2L D2Y D3S D3P D3L D3Y E2S E2P E2L E2Y E3S E3P E3L E3Y E4S E4P E4L E4Y F2S F2P F2L F2Y F3S F3P F3L F3Y 41P 41L 41Y 42P 42L 42Y 43P 43L 43Y 44P 44L 44Y 45P 45L 45Y B4S B4P B4Y 47S 47P 47Y 51S 51P 51Y 52S 52P 52Y 61S 61P 61Y 62S 62P 62Y 63S 63P 63Y G2S G2P G2Y G3S G3P G3Y J1S J1P J1Y J2S J2P J2Y 85S 85P 85Y 86S 86P 86Y)	24R2592	**

The FRUs listed in the following table are not illustrated.

8329 FRUs	FRU#	CRU
Shield, 5.25 EMC (all models)	41A7178	*
Cable, SATA (18" RoHs) (all models)	26K1186	*
Cable, Serial (all models)	39K5021	*
Diskette drive EMC Shield (all models)	41A7180	*
Cable, Diskette drive (RoHs) (all models)	41A7182	*
Cover, left side (all models)	41A7183	*
Chassis assembly (all models)	41A7184	*
I/O Shield - Tamdhu Park (all models)	41A7189	N
Kit, Misc. Hardware (all models)	41A7188	**
Retention Module Kit, RoHs (all models)	41A7139	N
2 Drop IDE (all models)	41A7190	**
Bezel, 5.25" blank (all models)	41N8077	*
Universal Adapter Bracket 5.25 to 3.5-inch (all models)	32P4743	*
Battery, 3.0V (all models)	33F8354	*

8329 Keyboard (Preferred Pro, Fullsize, Stealth black)	FRU#	CRU
US English (models CTO-U CTO-G A1L A2L A3L A4L B1L B2L B3G 21L 22L 23L 24L D1U D2L D3L E1U E2L E3L E4L E5G F1U F2L F3L 41A 41L 42A 42L 43A 43L 44A 44L 45A 45L 46U H1U H2U 81U 82U 91U 92U G1U 48G 49U 64U J3U)	89P8300	*
Arabic (models CTO-G B3G E5G 48G)	89P8301	*
Belgian/French (models CTO-G B3G E5G 48G)	89P8302	*
Belgian/UK (models CTO-G B3G E5G 48G)	89P8303	*

<b>8329 Keyboard (Preferred Pro, Fullsize, Stealth black)</b>	<b>FRU#</b>	<b>CRU</b>
Brazil/Portugese (models CTO-L A1P A2P A3P A4P B1P B2P 21P 22P 23P 24P D2P D3P E2P E3P E4P F2P F3P 41P 42P 43P 44P 45P B4P 47P 51P 52P 61P 62P 63P G2P G3P J1P J2P 85P 86P)	89P8304	*
Bulgarian (models CTO-G B3G E5G 48G)	89P8305	*
Czech (models CTO-G B3G E5G 48G)	89P8307	*
Danish (models CTO-G B3G E5G 48G)	89P8308	*
Dutch (models CTO-G B3G E5G 48G)	89P8309	*
French (models CTO-G B3G E5G 48G)	89P8310	*
French Canadian 445 (models CTO-U D1F E1F F1F 46F H1F H2F 81F 82F 91F 92F G1F)	89P8311	*
French Canadian 58 (models CTO-U D1F E1F F1F 46F H1F H2F 81F 82F 91F 92F G1F)	89P8312	*
German (models CTO-G B3G E5G 48G)	89P8313	*
Greek (models CTO-G B3G E5G 48G)	89P8314	*
Hebrew (models CTO-G B3G E5G 48G)	89P8315	*
Hungarian (models CTO-G B3G E5G 48G)	89P8316	*
Iceland (models CTO-G B3G E5G 48G)	89P8317	*
Italian 141 (models CTO-G B3G E5G 48G)	89P8318	*
Italian 142 (models CTO-G B3G E5G 48G)	89P8319	*
LA Spanish (models CTO-L A1S A1Y A2S A2Y A3S A3Y A4S A4Y B1S B1Y B2S B2Y 21S 21Y 22S 22Y 23S 23Y 24S 24Y D2S D2Y D3S D3Y E2S E2Y E3S E3Y E4S E4Y F2S F2Y F3S F3Y 41Y 42Y 43Y 44Y 45Y B4S B4Y 47S 47Y 51S 51Y 52S 52Y 61S 61Y 62S 62Y 63S 63Y G2S G2Y G3S G3Y J1S J1Y J2S J2Y 85S 85Y 86S 86Y)	89P8322	*
Norwegian (models CTO-G B3G E5G 48G)	89P8323	*
Polish (models CTO-G B3G E5G 48G)	89P8324	*
Portuguese (models CTO-G B3G E5G 48G)	89P8325	*
Romanian (models CTO-G B3G E5G 48G)	89P8326	*
Russian/Cyrillic (models CTO-G B3G E5G 48G)	89P8328	*
Serbian/Cyrillic (models CTO-G B3G E5G 48G)	89P8329	*
Slovak (models CTO-G B3G E5G 48G)	89P8330	*
Spanish (models CTO-G B3G E5G 48G)	89P8331	*
Swedish/Finn (models CTO-G B3G E5G 48G)	89P8332	*
Swiss F/G (models CTO-G B3G E5G 48G)	89P8333	*
Thailand (models CTO-A)	89P8334	*
Turkish 440 (models CTO-G B3G E5G 48G)	89P8335	*
Turkish 179 (models CTO-G B3G E5G 48G)	89P8336	*
UK English (models CTO-G B3G E5G 48G)	89P8337	*
US Euro (models CTO-G B3G E5G 48G)	89P8338	*
Yugoslav/Latin (models CTO-G B3G E5G 48G)	89P8339	*

<b>8329 Keyboards (with fingerprint reader)</b>	<b>FRU#</b>	<b>CRU</b>
US English (models CTO-U CTO-G)	89P9000	*
Arabic (models CTO-G)	89P9001	*
Arabic/French (models CTO-G)	89P9002	*

<b>8329 Keyboards (with fingerprint reader)</b>	<b>FRU#</b>	<b>CRU</b>
Belgian/French (models CTO-G)	89P9003	*
Belgian/UK (models CTO-G)	89P9004	*
Brazilian Portuguese (models CTO-L)	89P9005	*
Bulgarian (models CTO-G)	89P9006	*
Czech (models CTO-G)	89P9008	*
Danish (models CTO-G)	89P9009	*
Dutch (models CTO-G)	89P9010	*
French (models CTO-G)	89P9011	*
French Canadian 445 (models CTO-U)	89P9012	*
French Canadian 58 (models CTO-U)	89P9013	*
German (models CTO-G)	89P9014	*
Greek (models CTO-G)	89P9015	*
Hebrew (models CTO-G)	89P9016	*
Hungarian (models CTO-G)	89P9017	*
Iceland (models CTO-G)	89P9018	*
Italian 141 (models CTO-G)	89P9019	*
LA Spanish (models CTO-L)	89P9022	*
Norwegian (models CTO-G)	89P9023	*
Polish (models CTO-G)	89P9024	*
Portuguese (models CTO-G)	89P9025	*
Romanian (models CTO-G)	89P9026	*
Romanian (models CTO-G)	89P9027	*
Russian/Cyrillic (models CTO-G)	89P9028	*
Serbian/Cyrillic (models CTO-G)	89P9029	*
Slovak (models CTO-G)	89P9030	*
Spanish (models CTO-G)	89P9031	*
Swedish/Finn (models CTO-G)	89P9032	*
Swiss F/G (models CTO-G)	89P9033	*
Thailand (models CTO-A)	89P9034	*
Turkish 440 (models CTO-G)	89P9035	*
Turkish 179 (models CTO-G)	89P9036	*
UK English (models CTO-G)	89P9037	*
US Euro (models CTO-G)	89P9038	*
Yugoslav/Latin (models CTO-G)	89P9039	*

<b>8329 mice</b>	<b>FRU#</b>	<b>CRU</b>
Mouse, Scrollpoint Optical, USB (models CTO)	41A4933	*
Mouse, Optical Wheelmouse, USB (all models)	41A4935	*
Mouse, PS2 Wheelmouse, black (models CTO)	41A4917	*

8329 Adapters and miscellaneous FRU	FRU#	CRU
Soft Modem V.90/V.44 (models CTO 41A 41P 41L 41Y 45A 45P 45L 45Y)	29R9729	*
128MB DDR ATI Radeon x300SE (DMS59 connector) (models CTO)	39J9635	*
128MB DDR ATI RADEON X700 PRO VGA, DVI-I, TV-Out PCI-e BTX (models CTO)	39J6203	*
Nvidia GeForce 6200 P262 w/NV44 (models CTO)	39J6213	*
PCI-E DVI-DConnection Adapter (ADD 2-R) (Full Height) (models CTO E5G)	39J9334	*
Speakers, Jazz Infinity Active T1 (Black) (models CTO 41A 41P 41L 41Y 45A 45P 45L 45Y)	89P8589	*
Speaker Power brick - US, Canada, LA (low voltage), Taiwan, Phillipines, Thailand (models CTO-U CTO-L CTO-A 41L 41Y 45L 45Y)	89P8571	*
Speaker Power brick - UK, Hong Kong (British version), ASEAN (models CTO-A)	89P8573	*
Speaker Brick - Europe and LA (high voltage) (models CTO-G CTO-L)	89P8575	*
Speaker Power brick (newer 2 prong) - China, Thailand, Phillipines (models CTO-A)	89P8581	*
Speaker Power brick - ANZ (models CTO-A 41A 45A)	89P8579	*
Speaker Power brick - Brazil (models CTO-L 41P 45P)	89P8583	*
Speaker Power brick - India, South Africa (models CTO-A CTO-G)	89P8585	*
Speaker Power brick - Argentina (models CTO-L 41L 41Y 45L 45Y)	41A4901	*
RJ11 connector adapter (Spain, Ireland) (All "G" models)	60H6043	*
RJ11 connector adapter (Austria) (All "G" models)	60H6045	*
RJ11 connector adapter (Belgium) (All "G" models)	60H6046	*
RJ11 connector adapter (Denmark) (All "G" models)	60H6047	*
RJ11 connector adapter (Norway, Finland) (All "G" models)	60H6048	*
RJ11 connector adapter (France) (All "G" models)	60H6049	*
RJ11 connector adapter (Germany) (All "G" models)	60H6050	*
RJ11 connector adapter (UK, NZ, HK) (All "G", "M", "B", "H" models)	60H6051	*
RJ11 connector adapter (Italy) (All "G" models)	60H6052	*
RJ11 connector adapter (Netherlands) (All "G" models)	60H6053	*
RJ11 connector adapter (Sweden) (All "G" models)	60H6054	*
RJ11 connector adapter (Switzerland) (All "G" models)	60H6055	*

8329 Power Cords	FRU#	CRU
Power cord - US (models CTO-U A1S A1L A2S A2L A3S A3L A4S A4L B1S B1L B2S B2L 21S 21L 22S 22L 23S 23L 24S 24L D1U D1F D2S D2L D3S D3L E1U E1F E2S E2L E3S E3L E4S E4L F1U F1F F2S F2L F3S F3L 41A 41L 42A 42L 43A 43L 44A 44L 45A 45L 46U 46F H1U H1F H2U H2F 81U 81F 82U 82F 91U 91F 92U 92F G1U G1F B4S 47S 49U 51S 52S 61S 62S 63S 64U G2S G3S J1S J2S J3U 85S 86S)	39M5080	*
Power cord - Brazil (models CTO-L A1P A2P A3P A4P B1P B2P 21P 22P 23P 24P D2P D3P E2P E3P E4P F2P F3P 41P 42P 43P 44P 45P B4P 47P 51P 52P 61P 62P 63P G2P G3P J1P J2P 85P 86P)	39M5232	*
Power cord - LA High Volt (APU) (models CTO-L A1L A1Y A2L A2Y A3L A3Y A4L A4Y B1L B1Y B2L B2Y 21L 21Y 22L 22Y 23L 23Y 24L 24Y D2L D2Y D3L D3Y E2L E2Y E3L E3Y E4L E4Y F2L F2Y F3L F3Y 41L 41Y 42L 42Y 43L 43Y 44L 44Y 45L 45Y B4Y 47Y 51Y 52Y 61Y 62Y 63Y G2Y G3Y J1Y J2Y 85Y 86Y)	39M5067	*
Power cord - Australia/New Zealand (models CTO-A)	39M5102	*
Power cord - Hong Kong (models CTO-A)	39M5151	*

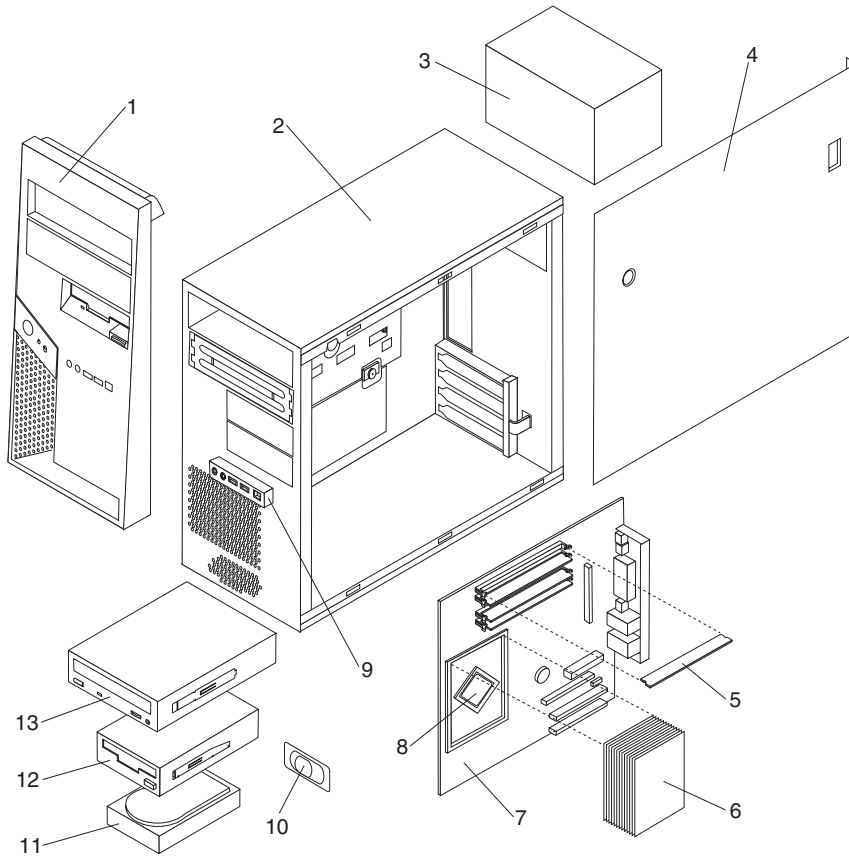
8329 Power Cords	FRU#	CRU
Power cord - UK, Ireland, Singapore, Malaysia, Brunei (models CTO-G CTO-A B3G E5G 41A 42A 43A 44A 45A 48G)	39M5150	*
Power cord - Italy (models CTO-G A1S A1L A1Y A2S A2L A2Y A3S A3L A3Y A4S A4L A4Y B1S B1L B1Y B2S B2L B2Y B3G 21S 21L 21Y 22S 22L 22Y 23S 23L 23Y 24S 24L 24Y D2S D2L D2Y D3S D3L D3Y E2S E2L E2Y E3S E3L E3Y E4S E4L E4Y E5G F2S F2L F2Y F3S F3L F3Y 41L 41Y 42L 42Y 43L 43Y 44L 44Y 45L 45Y B4S B4Y 47S 47Y 48G 51S 51Y 52S 52Y 61S 61Y 62S 62Y 63S 63Y G2S G2Y G3S G3Y J1S J1Y J2S J2Y 85S 85Y 86S 86Y)	39M5164	*
Power cord - G models (models CTO-G B3G E5G 41A 42A 43A 44A 45A 48G)	39M5122	*
Power cord - Denmark (models CTO-G 48G)	39M5129	*
Power cord - Switzerland (models CTO-G 48G)	39M5157	*
Power cord - Israel (models CTO-G 48G)	39M5171	*
Power cord - South Africa (models CTO-G B3G E5G 41A 42A 43A 44A 45A 48G)	39M5143	*
Power cord - India (models CTO-A)	39M5004	*

8329 Windows XP Home Recovery CDs	FRU#	CRU
US/UK/AP/TH (models A1L A4L B1L 21L 24L 41A 41L 45A 45L)	41T1810	*
SP/LA (models A1S A1Y A4S A4Y B1S B1Y 21S 21Y 24S 24Y 41Y 45Y)	41T4172	*
BR (models A1P A4P B1P 21P 24P 41P 45P)	41T4174	*

8329 Windows XP Pro Recovery CDs	FRU#	CRU
US/UK/AP/TH (models A2L A3L B2L B3G 22L 23L D1U D2L D3L E1U E2L E3L E4L E5G F1U F2L F3L 42A 42L 43A 43L 44A 44L 46U H1U H2U 81U 82U 91U 92U G1U 48G 49U 64U J3U)	41T1809	*
RE (models B3G E5G 48G)	41T4985	*
FR/CF (models B3G D1F E1F E5G F1F 46F H1F H2F 81F 82F 91F 92F G1F)	41T4134	*
GR (models B3G E5G 48G)	41T4135	*
SP/LA (models B3G E5G 48G B4S B4Y 47S 47Y 51S 51Y 52S 52Y 61S 61Y 62S 62Y 63S 63Y G2S G2Y G3S G3Y J1S J1Y J2S J2Y A2S A2Y A3S A3Y B2S B2Y 22S 22Y 23S 23Y D2S D2Y D3S D3Y E2S E2Y E3S E3Y E4S E4Y F2S F2Y F3S F3Y 42Y 43Y 44Y 85S 85Y 86S 86Y)	41T4136	*
IT (models B3G E5G 48G)	41T4137	*
BR (models B3G E5G F3P 44P 48G J2P 86P)	41T4138	*
SV (models B3G E5G 48G)	41T4139	*
DK (models B3G E5G 48G)	41T4991	*
FI (models B3G E5G 48G)	41T4997	*
NO (models B3G E5G 48G)	41T5003	*
NL (models B3G E5G 48G)	41T5009	*
HE (models B3G E5G 48G)	41T5015	*
PL (models B3G E5G 48G)	41T5021	*
CZ (models B3G E5G 48G)	41T5027	*
AE (models B3G E5G 48G)	41T5033	*
RU (models B3G E5G 48G)	41T5039	*
TR (models B3G E5G 48G)	41T5045	*
HU (models B3G E5G 48G)	41T5051	*

8329 Windows XP Pro Recovery CDs	FRU#	CRU
PO (models B3G E5G 48G)	41T5057	*
GK (models B3G E5G 48G)	41T5063	*
SL (models B3G E5G 48G)	41T5069	*
Multilingual 1 (models B3G E5G 48G)	41T4206	*
Multilingual 2 (models B3G E5G 48G)	41T5159	*

## Machine Type 8340



Item #	8340 FRUs	FRU#	CRU
1	Bezel Asm (all models)	41A7807	*
2	Chassis Asm (all models)	41A7808	N
3	Power supply, 310 W, standard (models CTO B1G D1U D1F E1U E1F E2G F1U F1F)	24R2596	**
3	Power supply, 310 W, standard, DMO (models CTO B1G D1U D1F E1U E1F E2G F1U F1F 41U 41F D2U E3U G1U 43U 44U 44F 45G 64U 64F 65U H3U)	41N3143	**
3	Power supply, 310 W (China) (models CTO-A CTO-L)	24R2598	**
3	Power supply, 310 W, Robust, DMO (models CTO-A CTO-L B2S B2Y 42S 42Y 51S 51Y 52S 52Y 61S 61Y 62S 62Y 63S 63Y A1S A1Y A2S A2Y H1S H1Y H2S H2Y A3S A3Y A4S A4Y)	41N3366	**
4	Cover (all models)	39M0465	*



Item #	8340 FRUs	FRU#	CRU
5	Memory module, 256MB, DDR2 SDRAM, NP (PC 4200) (models CTO B1G B2S B2Y 42S 42Y 51S 51Y 61S 61Y)	30R5120	*
5	Memory module, 512MB, DDR2 SDRAM, NP (PC 4200) (models CTO D1U D1F E1U E1F E2G F1U F1F 41U 41F D2U E3U G1U 43U 44U 44F 45G 52S 52Y 62S 62Y 63S 63Y 64U 64F 65U A1S A1Y A2S A2Y H1S H1Y H2S H2Y H3U A3S A3Y A4S A4Y)	30R5121	*
5	Memory module, 1GB, DDR2 SDRAM, NP (PC 4200) (models CTO)	30R5122	*
5	Memory module, 2GB, DDR2 SDRAM, NP (PC 4200) (models CTO)	30R5123	*
6	Heat sink (all models)	39M0538	**
7	System board, (models CTO B1G D1U D1F E1U E1F E2G F1U F1F 41U 41F 45G D2U E3U G1U B2S B2Y 42S 42Y 43U 44U 44F 51S 51Y 52S 52Y 61S 61Y 62S 62Y 63S 63Y 64U 64F 65U A1S A1Y A2S A2Y H1S H1Y H2S H2Y H3U A3S A3Y A4S A4Y)	41X0161	N
8	Microprocessor, Celeron 2.53GHz, 533 FSB, 256KB L2 (models CTO)	39J7016	**
8	Microprocessor, Celeron 2.66GHz, 533 FSB, 256KB L2 (models CTO)	39J7017	**
8	Microprocessor, Celeron 2.80GHz, 533 FSB, 256KB L2 (models CTO)	39J7018	**
8	Microprocessor, Celeron 2.93GHz, 533 FSB, 256KB L2 (models CTO)	39J7019	**
8	Microprocessor, Celeron 3.06GHz, 533 FSB, 256KB L2 (models CTO B1G B2S B2Y)	39J7020	**
8	Microprocessor, Celeron 3.20GHz, 533 FSB, 256KB L2 (models CTO)	39J9696	**
8	Microprocessor, Pentium 4 2.66GHz, 533 FSB, 1MB L2 (models CTO)	41D0690	**
8	Microprocessor, Pentium 4 2.93GHz, 533 FSB, 1MB L2 (models CTO)	41D0692	**
8	Microprocessor, Pentium 4 3.06GHz, 533 FSB, 1MB L2 (models CTO)	41D0694	**
8	Microprocessor, Pentium 4 2.8GHz, 800 FSB, 1MB L2 (models CTO 41U 41F)	39J7021	**
8	Microprocessor, Pentium 4 3.06GHz 533MHz FSB 1MB L2 (models CTO 42S 42Y 43U 44U 44F 45G)	41T4104	**
8	Microprocessor, Pentium 4 3.0GHz, 800 FSB, 1MB L2 (models CTO 51S 51Y 52S 52Y)	39J7022	**
8	Microprocessor, Pentium 4 3.2GHz, 800 FSB, 1MB L2 (models CTO 61S 61Y 62S 62Y 63S 63Y 64U 64F 65U)	39J7023	**
8	Microprocessor, Pentium 4 3.4GHz, 800 FSB, 1MB L2 (models CTO)	39J7024	**
8	Microprocessor, Pentium 4 3.0GHz, 800 FSB, 2MB L2 (models CTO D1U D1F D2U)	39J7025	**
8	Microprocessor, Pentium 4 3.0GHz, Cedar Mill 800 FSB, 2MB L2 (models CTO)	41D5054	**
8	Microprocessor, Pentium 4 3.2GHz, 800 FSB, 2MB L2 (models CTO E1U E1F E2G E3U)	39J7026	**
8	Microprocessor, Pentium 4 3.2GHz, Cedar Mill 800 FSB, 2MB L2 (models CTO)	41D5056	**
8	Microprocessor, Pentium 4 3.4GHz, 800 FSB, 2MB L2 (models CTO F1U F1F)	39J7027	**
8	Microprocessor, Pentium 4 3.4GHz, Cedar Mill 800 FSB, 2MB L2 (models CTO)	41D5058	**
8	Microprocessor, Pentium 4 3.6GHz, Cedar Mill 800 FSB, 2MB L2 (models CTO)	41D5060	**
8	Microprocessor, Smithfield Pentium 4 2.8.4GHz, 800 FSB, 2x1MB L2 (models CTO G1V G2A G2Q G2T 74G G1U)	39J8469	**
8	Microprocessor, Pentium 4 2.8GHz, Presler 800 FSB, 2x2MB L2 (models CTO)	41D5062	**
8	Microprocessor, Pentium D, 3.0 GHz, 800MHz FSB, 2MBx2 L2 (models CTO A1S A1Y A2S A2Y A3S A3Y A4S A4Y)	TBD	**
8	Microprocessor, Pentium D 3.0 GHz 800 FSB 2MBx2 L2 C1-Value) (models CTO)	41D5052	**

Item #	8340 FRUs	FRU#	CRU
8	Microprocessor, Pentium D, 3.2 GHz, 800MHz FSB, 2MBx2 L2 (models CTO H1S H1Y H2S H2Y H3U)	TBD	**
9	Front panel card Asm (all models)	26K1183	**
10	Speaker Asm, Soldered Terminals (all models EXCEPT D2U E3U)	39P5023	**
11	Hard disk drive, 40GB, 7200RPM, Serial ATA (models CTO)	40Y9033	**
11	Hard disk drive, 40GB, 7200RPM, Serial ATA (models CTO)	40Y8760	**
11	Hard disk drive, 80GB, 7200RPM, Serial ATA (models CTO B1G D1U D1F E1U E1F E2G F1U F1F 41U 41F G1U B2S B2Y 42S 42Y 43U 44U 44F 45G 51S 51Y 52S 52Y 61S 61Y 62S 62Y 63S 63Y 64U 64F 65U A1S A1Y A2S A2Y H1S H1Y H2S H2Y H3U A3S A3Y A4S A4Y)	40Y9034	**
11	Hard disk drive, 80GB, 7200RPM, Serial ATA (models CTO B1G D1U D1F E1U E1F E2G F1U F1F 41U 41F G1U B2S B2Y 42S 42Y 43U 44U 44F 45G 51S 51Y 52S 52Y 61S 61Y 62S 62Y 63S 63Y 64U 64F 65U A1S A1Y A2S A2Y H1S H1Y H2S H2Y H3U A3S A3Y A4S A4Y)	40Y8761	**
11	Hard disk drive, 160GB, 7200RPM, Serial ATA (models CTO D2U)	40Y8762	**
11	Hard disk drive, 160GB, 7200RPM, Serial ATA (models CTO D2U)	40Y9035	**
11	Hard disk drive, 250GB, 7200RPM, Serial ATA (models CTO E3U)	40Y8763	**
11	Hard disk drive, 250GB, 7200RPM, Serial ATA (models CTO E3U)	40Y9036	**
12	Diskette drive, 1.44MB, 3-mode, w/o bezel (models CTO B2S B2Y 42S 42Y 51S 51Y 52S 52Y 61S 61Y 62S 62Y 63S 63Y A1S A1Y A2S A2Y H1S H1Y H2S H2Y A3S A3Y A4S A4Y)	40Y9107	*
12	Diskette drive, 1.44MB, 3-mode, w/o bezel (models CTO B2S B2Y 42S 42Y 51S 51Y 52S 52Y 61S 61Y 62S 62Y 63S 63Y A1S A1Y A2S A2Y H1S H1Y H2S H2Y A3S A3Y A4S A4Y)	40Y9105	*
12	Diskette drive, 1.44MB, 3-mode, w/o bezel (models CTO B2S B2Y 42S 42Y 51S 51Y 52S 52Y 61S 61Y 62S 62Y 63S 63Y A1S A1Y A2S A2Y H1S H1Y H2S H2Y A3S A3Y A4S A4Y)	40Y9113	*
13	CD-ROM drive 48X (models CTO D1U D1F E1U E1F F1U F1F 41U 41F G1U B2S B2Y 42S 42Y 43U 51S 51Y 52S 52Y 61S 61Y 62S 62Y 65U A1S A1Y H1S H1Y H3U A3S A3Y)	40Y8955	*
13	CD-ROM drive 48X (models CTO D1U D1F E1U E1F F1U F1F 41U 41F G1U B2S B2Y 42S 42Y 43U 51S 51Y 52S 52Y 61S 61Y 62S 62Y 65U A1S A1Y H1S H1Y H3U A3S A3Y)	40Y8929	*
13	CD-ROM drive 48X (models CTO D1U D1F E1U E1F F1U F1F 41U 41F G1U B2S B2Y 42S 42Y 43U 51S 51Y 52S 52Y 61S 61Y 62S 62Y 65U A1S A1Y H1S H1Y H3U A3S A3Y)	40Y8953	*
13	CD-ROM drive 48X (models CTO D1U D1F E1U E1F F1U F1F 41U 41F G1U B2S B2Y 42S 42Y 43U 51S 51Y 52S 52Y 61S 61Y 62S 62Y 65U A1S A1Y H1S H1Y H3U A3S A3Y)	40Y8807	*
13	CD-RW drive (48X/32X/48X) (models CTO)	40Y8901	*
13	CD-RW drive (48X/32X/48X) (models CTO)	40Y8937	*
13	DVD-ROM (16X/48X) - black (models CTO B1G 45G)	40Y8931	*
13	DVD-ROM (16X/48X) - black (models CTO B1G 45G)	40Y8933	*
13	DVD-ROM (16X/48X) - black (models CTO B1G 45G)	40Y8935	*
13	DVD-ROM (16X/48X) - black (models CTO B1G 45G)	40Y8957	*
13	CD-RW/DVD-ROM Combo drive (48X/32X/48X/16X Max) (models CTO E2G 44U 44F 63S 63Y 64U 64F A2S A2Y H2S H2Y A4S A4Y)	40Y8919	*

Item #	8340 FRUs	FRU#	CRU
13	CD-RW/DVD-ROM Combo drive (48X/32X/48X/16X Max) (models CTO E2G 44U 44F 63S 63Y 64U 64F A2S A2Y H2S H2Y A4S A4Y)	40Y8941	*
13	Multiburner Plus (models CTO D2U E3U)	40Y8909	*

The FRUs listed in the following table are not illustrated.

8340 FRUs	FRU#	CRU
Shield, 5.25 EMC (all models)	39M0460	*
Cable, SATA (18-inch RoHs) (all models)	26K1186	*
Hard disk drive mounting bracket (all models)	39M0461	*
Cable, serial (all models)	39K5021	*
EMC shield, diskette drive (all models)	39M0464	*
Cable, diskette drive (RoHs) (all models)	26K1184	*
Fan duct Asm (all models)	39M0470	*
Power switch/LED Asm (all models)	39M0471	**
Device retaining clips (all models)	39M0473	**
Shield, system board (all models)	39M0476	N
Miscellaneous hardware kit (all models)	39M0477	**
Cable, 1394 panel mount (all models)	39M0478	**
RM kit (all models)	39K5046	N
Cable, 2 Drop IDE (all models)	39M0516	*
Hard Disk Drive Tray w/screws (all models)	39M0491	**
Universal Adapter Bracket 5.25 to 3.5-inch (all models)	32P4743	*
Battery, 3.0V (all models)	33F8354	*

8340 Keyboard (Preferred Pro, Fullsize, Stealth black)	FRU#	CRU
US English (models CTO-U CTO-G B1G D1U E1U E2G F1U 41U D2U E3U G1U 43U 44U 45G 64U 65U H3U)	89P8300	*
Arabic (models CTO-G B1G E2G 45G)	89P8301	*
Belgian/French (models CTO-G B1G E2G 45G)	89P8302	*
Belgian/UK (models CTO-G B1G E2G 45G)	89P8303	*
Brazil/Portugese (models CTO-L)	89P8304	*
Bulgarian (models CTO-G B1G E2G 45G)	89P8305	*
Czech (models CTO-G B1G E2G 45G)	89P8307	*
Danish (models CTO-G B1G E2G 45G)	89P8308	*
Dutch (models CTO-G B1G E2G 45G)	89P8309	*
French (models CTO-G B1G E2G 45G)	89P8310	*
French Canadian 445 (models CTO-U D1F E1F F1F 41F 44F 64F)	89P8311	*
French Canadian 58 (models CTO-U D1F E1F F1F 41F 44F 64F)	89P8312	*
German (models CTO-G B1G E2G 45G)	89P8313	*
Greek (models CTO-G B1G E2G 45G)	89P8314	*
Hebrew (models CTO-G B1G E2G 45G)	89P8315	*

<b>8340 Keyboard (Preferred Pro, Fullsize, Stealth black)</b>	<b>FRU#</b>	<b>CRU</b>
Hungarian (models CTO-G B1G E2G 45G)	89P8316	*
Iceland (models CTO-G B1G E2G 45G)	89P8317	*
Italian 142 (models CTO-G B1G E2G 45G)	89P8319	*
LA Spanish (models CTO-L B2S B2Y 42S 42Y 51S 51Y 52S 52Y 61S 61Y 62S 62Y 63S 63Y A1S A1Y A2S A2Y H1S H1Y H2S H2Y A3S A3Y A4S A4Y)	89P8322	*
Norwegian (models CTO-G B1G E2G 45G)	89P8323	*
Polish (models CTO-G B1G E2G 45G)	89P8324	*
Portuguese (models CTO-G B1G E2G 45G)	89P8325	*
Romanian (models CTO-G B1G E2G 45G)	89P8326	*
Russian/Cyrillic (models CTO-G B1G E2G 45G)	89P8328	*
Serbian/Cyrillic (models CTO-G B1G E2G 45G)	89P8329	*
Slovak (models CTO-G B1G E2G 45G)	89P8330	*
Spanish (models CTO-G B1G E2G 45G)	89P8331	*
Swedish/Finn (models CTO-G B1G E2G 45G)	89P8332	*
Swiss F/G (models CTO-G B1G E2G 45G)	89P8333	*
Thailand (models CTO-A)	89P8334	*
Turkish 440 (models CTO-G B1G E2G 45G)	89P8335	*
Turkish 179 (models CTO-G B1G E2G 45G)	89P8336	*
UK English (models CTO-G B1G E2G 45G)	89P8337	*
US Euro (models CTO-G B1G E2G 45G)	89P8338	*
Yugoslav/Latin (models CTO-G B1G E2G 45G)	89P8339	*

<b>8340 mice</b>	<b>FRU#</b>	<b>CRU</b>
Mouse, Scrollpoint Optical, USB (models CTO)	41A4933	*
Mouse, Scrollpoint Optical, USB Optical Wheelmouse, USB (all models)	41A4935	*
Mouse, PS2 Wheelmouse (models CTO)	41A4917	*

<b>8340 Adapters and miscellaneous FRU</b>	<b>FRU#</b>	<b>CRU</b>
Soft Modem V.90/V.44 (models CTO D2U E3U)	29R9729	*
128MB DDR ATI Radeon x300SE (DMS59 connector) (models CTO)	39J9635	*
128MB DDR ATI RADEON X700 PRO VGA, DVI-I, TV-Out PCI-e BTX (models CTO)	39J6203	*
Nvidia GeForce 6200 P262 w/NV44 (models CTO)	39J6213	*
PCI-E DVI-DConnection Adapter (ADD 2-R) (Full Height) (models CTO E2G D2U E3U)	39J9334	*
1394 Firewire PCI LP (ATX) (models CTO)	41D2781	*
Speakers, Jazz Infinity Active T1 (Black) (models CTO D2U E3U)	89P8589	*
Speaker Power brick - US, Canada, LA (low voltage), Taiwan, Phillipines, Thailand (models CTO-U CTO-L CTO-A D2U E3U)	89P8571	*
Speaker Power brick - UK, Hong Kong (British version), ASEAN (models CTO-A)	89P8573	*
Speaker Brick - Europe and LA (high voltage) (models CTO-G CTO-L)	89P8575	*
Speaker Power brick (newer 2 prong) - China, Thailand, Phillipines (models CTO-A)	89P8581	*
Speaker Power brick - ANZ (models CTO-A)	89P8579	*

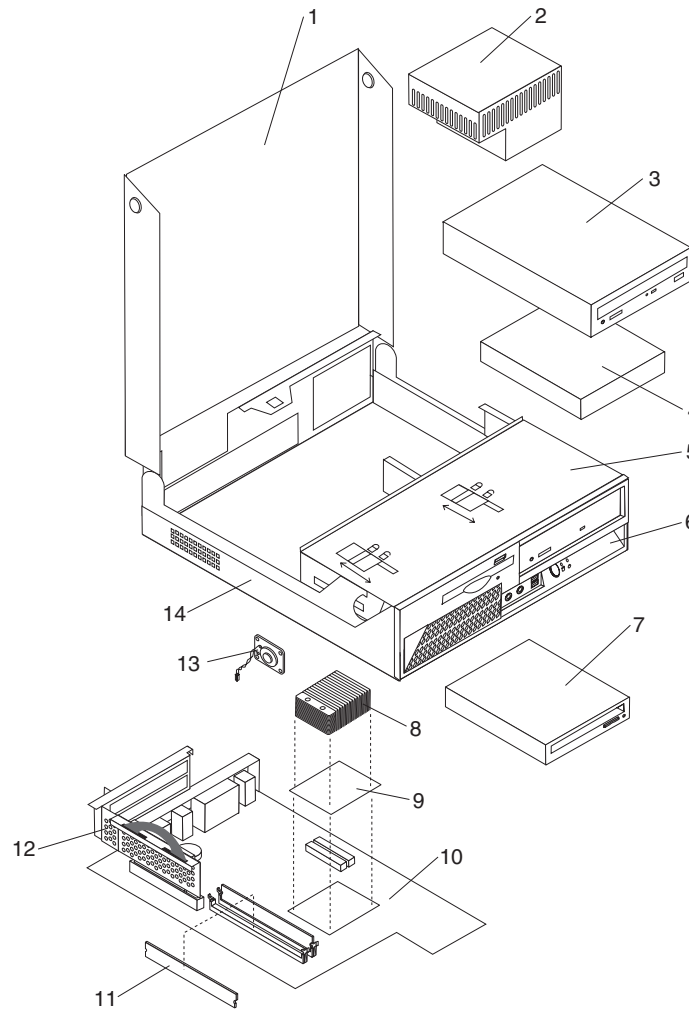
8340 Adapters and miscellaneous FRU	FRU#	CRU
Speaker Power brick - Brazil (models CTO-L)	89P8583	*
Speaker Power brick - India, South Africa (models CTO-A CTO-G)	89P8385	*
Speaker Power brick - Argentina (models CTO-L)	41A4901	*
RJ11 connector adapter (Spain, Ireland) (All "G" models)	60H6043	*
RJ11 connector adapter (Austria) (All "G" models)	60H6045	*
RJ11 connector adapter (Belgium) (All "G" models)	60H6046	*
RJ11 connector adapter (Denmark) (All "G" models)	60H6047	*
RJ11 connector adapter (Norway, Finland) (All "G" models)	60H6048	*
RJ11 connector adapter (France) (All "G" models)	60H6049	*
RJ11 connector adapter (Germany) (All "G" models)	60H6050	*
RJ11 connector adapter (UK, NZ, HK) (All "G", "M", "B", "H" models)	60H6051	*
RJ11 connector adapter (Italy) (All "G" models)	60H6052	*
RJ11 connector adapter (Netherlands) (All "G" models)	60H6053	*
RJ11 connector adapter (Sweden) (All "G" models)	60H6054	*
RJ11 connector adapter (Switzerland) (All "G" models)	60H6055	*

8340 Power Cords	FRU#	CRU
Power cord - US (models CTO-U D1U D1F E1U E1F F1U F1F 41U 41F D2U E3U G1U B2S 42S 43U 44U 44F 51S 52S 61S 62S 63S 64U 64F 65U A1S A2S H1S H2S H3U A3S A4S)	39M5080	*
Power cord - Brazil (models CTO-L)	39M5232	*
Power cord - LA High Volt (APU) (models CTO-L B2Y 42Y 51Y 52Y 61Y 62Y 63Y A1Y A2Y H1Y H2Y A3Y A4Y)	39M5067	*
Power cord - Australia/New Zealand (models CTO-A)	39M5102	*
Power cord - Hong Kong (models CTO-A)	39M5151	*
Power cord - UK, Ireland, Singapore, Malaysia, Brunei (models CTO-G CTO-A 45G)	39M5150	*
Power cord - Italy (models CTO-G B1G E2G B2S B2Y 42S 42Y 45G 51S 51Y 52S 52Y 61S 61Y 62S 62Y 63S 63Y A1S A1Y A2S A2Y H1S H1Y H2S H2Y A3S A3Y A4S A4Y)	39M5164	*
Power cord - G models (models CTO-G 45G)	39M5122	*
Power cord - Denmark (models CTO-G 45G)	39M5129	*
Power cord - Switzerland (models CTO-G 45G)	39M5157	*
Power cord - Israel (models CTO-G 45G)	39M5171	*
Power cord - South Africa (models CTO-G 45G)	39M5143	*
Power cord - India (models CTO-A)	39M5004	*

8340 Windows XP Pro Recovery CDs	FRU#	CRU
US/UK/AP/TH (models B1G D1U E1U E2G F1U 41U D2U E3U G1U 43U 44U 45G 64U 65U H3U)	41T1809	*
RE (models B1G E2G 45G)	41T4985	*
FR/CF (models B1G D1F E1F E2G F1F 41F 44F 45G 64F)	41T4134	*
GR (models B1G E2G 45G)	41T4135	*
SP/LA (models B1G E2G 45G B2S B2Y 42S 42Y 51S 51Y 52S 52Y 61S 61Y 62S 62Y 63S 63Y A1S A1Y A2S A2Y H1S H1Y H2S H2Y A3S A3Y A4S A4Y)	41T4136	*

8340 Windows XP Pro Recovery CDs	FRU#	CRU
IT (models B1G E2G 45G)	41T4137	*
SV (models B1G E2G 45G)	41T4139	*
DK (models B1G E2G 45G)	41T4991	*
FI (models B1G E2G 45G)	41T4997	*
NO (models B1G E2G 45G)	41T5003	*
NL (models B1G E2G 45G)	41T5009	*
HE (models B1G E2G 45G)	41T5015	*
PL (models B1G E2G 45G)	41T5021	*
CZ (models B1G E2G 45G)	41T5027	*
AE (models B1G E2G 45G)	41T5033	*
RU (models B1G E2G 45G)	41T5039	*
TR (models B1G E2G 45G)	41T5045	*
HU (models B1G E2G 45G)	41T5051	*
PO (models B1G E2G 45G)	41T5057	*
GK (models B1G E2G 45G)	41T5063	*
SL (models B1G E2G 45G)	41T5069	*
Multilingual 1 (models B1G E2G 45G)	41T4206	*
Multilingual 2 (models B1G E2G 45G)	41T5159	*

# Machine Type 8341



Item #	8341 FRUs	FRU#	CRU
1	Cover (all models)	26K1263	*
2	Power Supply (225 Watt) (models CTO B3G D3U D3F E4U E4F E5G F3U F3F)	24R2584	**
2	Power Supply (225 Watt) China (models CTO-A CTO-L A1S A1P A1L A1Y A2S A2P A2L A2Y A3S A3P A3L A3Y A4S A4P A4L A4Y B1S B1P B1L B1Y B2S B2P B2L B2Y 21S 21P 21L 21Y 22S 22P 22L 22Y 23S 23P 23L 23Y 24S 24P 24L 24Y D1S D1P D1L D1Y D2S D2P D2L D2Y E1S E1P E1L E1Y E2S E2P E2L E2Y E3S E3P E3L E3Y F1S F1P F1L F1Y F2S F2P F2L F2Y)	24R2587	**
3	CD-ROM Drive 48X (models CTO A2S A2P A2L A2Y A3S A3P A3L A3Y B1S B1P B1L B1Y 22S 22P 22L 22Y 23S 23P 23L 23Y D1S D1P D1L D1Y D3U D3F E1S E1P E1L E1Y E4U E4F F1S F1P F1L F1Y F3U F3F 42S 42P 42L 42Y 45U 45F G1U G1F B4S B4Y 47S 47Y 48U 51S 51Y 52S 52Y 53S 53Y 54U H1U)	40Y8955	*
3	CD-ROM Drive 48X (models CTO A2S A2P A2L A2Y A3S A3P A3L A3Y B1S B1P B1L B1Y 22S 22P 22L 22Y 23S 23P 23L 23Y D1S D1P D1L D1Y D3U D3F E1S E1P E1L E1Y E4U E4F F1S F1P F1L F1Y F3U F3F 42S 42P 42L 42Y 45U 45F G1U G1F B4S B4Y 47S 47Y 48U 51S 51Y 52S 52Y 53S 53Y 54U H1U)	40Y8929	*

Item #	8341 FRUs	FRU#	CRU
3	CD-ROM Drive 48X (models CTO A2S A2P A2L A2Y A3S A3P A3L A3Y B1S B1P B1L B1Y 22S 22P 22L 22Y 23S 23P 23L 23Y D1S D1P D1L D1Y D3U D3F E1S E1P E1L E1Y E4U E4F F1S F1P F1L F1Y F3U F3F 42S 42P 42L 42Y 45U 45F G1U G1F B4S B4Y 47S 47Y 48U 51S 51Y 52S 52Y 53S 53Y 54U H1U)	40Y8953	*
3	CD-ROM Drive 48X (models CTO A2S A2P A2L A2Y A3S A3P A3L A3Y B1S B1P B1L B1Y 22S 22P 22L 22Y 23S 23P 23L 23Y D1S D1P D1L D1Y D3U D3F E1S E1P E1L E1Y E4U E4F F1S F1P F1L F1Y F3U F3F 42S 42P 42L 42Y 45U 45F G1U G1F B4S B4Y 47S 47Y 48U 51S 51Y 52S 52Y 53S 53Y 54U H1U)	40Y8807	*
3	CD-RW Drive (48X/32X/48X) (models CTO A1S A1P A1L A1Y A4S A4P A4L A4Y B2S B2P B2L B2Y 21S 21P 21L 21Y D2S D2P D2L D2Y E2S E2P E2L E2Y E3S E3P E3L E3Y F2S F2P F2L F2Y 41S 41P 41L 41Y 43S 43P 43L 43Y)	40Y8901	*
3	CD-RW Drive (48X/32X/48X) (models CTO A1S A1P A1L A1Y A4S A4P A4L A4Y B2S B2P B2L B2Y 21S 21P 21L 21Y D2S D2P D2L D2Y E2S E2P E2L E2Y E3S E3P E3L E3Y F2S F2P F2L F2Y 41S 41P 41L 41Y 43S 43P 43L 43Y)	40Y8937	*
3	DVD-ROM 16X/48X - Black (models CTO B3G)	40Y8931	*
3	DVD-ROM 16X/48X - Black (models CTO B3G)	40Y8933	*
3	DVD-ROM 16X/48X - Black (models CTO B3G)	40Y8935	*
3	DVD-ROM 16X/48X - Black (models CTO B3G)	40Y8957	*
3	DVD-ROM/CD-RW Combo Drive (48x/32x/48x/16x) (models CTO 24S 24P 24L 24Y E5G 44S 44P 44L 44Y 46U D4U G2U G2F G3U G3F 49U 49F 55U 55F H2U H2F)	40Y8919	*
3	DVD-ROM/CD-RW Combo Drive (48x/32x/48x/16x) (models CTO 24S 24P 24L 24Y E5G 44S 44P 44L 44Y 46U D4U G2U G2F G3U G3F 49U 49F 55U 55F H2U H2F)	40Y8941	*
3	Multi-Burner Plus (models CTO D5U)	40Y8909	*
4	Hard Disk Drive 40GB 7200 rpm Serial ATA (models CTO)	40Y9033	*
4	Hard Disk Drive 40GB 7200 rpm Serial ATA (models CTO)	40Y8760	*
4	Hard Disk Drive 80GB 7200 rpm Serial ATA (models CTO A1S A1P A1L A1Y A2S A2P A2L A2Y A3S A3P A3L A3Y A4S A4P A4L A4Y B1S B1P B1L B1Y B2S B2P B2L B2Y B3G 21S 21P 21L 21Y 22S 22P 22L 22Y 23S 23P 23L 23Y D1S D1P D1L D1Y D2S D2P D2L D2Y D3U D3F E1S E1P E1L E1Y E2S E2P E2L E2Y E4U E4F E5G F1S F1P F1L F1Y F3U F3F 41S 41P 41L 41Y 42S 42P 42L 42Y 43S 43P 43L 43Y 45U 45F 46U D4U G1U G1F G2U G2F G3U G3F B4S B4Y 47S 47Y 48U 49U 49F 51S 51Y 52S 52Y 53S 53Y 54U 55U 55F H1U H2U H2F)	40Y9034	*
4	Hard Disk Drive 80GB 7200 rpm Serial ATA (models CTO A1S A1P A1L A1Y A2S A2P A2L A2Y A3S A3P A3L A3Y A4S A4P A4L A4Y B1S B1P B1L B1Y B2S B2P B2L B2Y B3G 21S 21P 21L 21Y 22S 22P 22L 22Y 23S 23P 23L 23Y D1S D1P D1L D1Y D2S D2P D2L D2Y D3U D3F E1S E1P E1L E1Y E2S E2P E2L E2Y E4U E4F E5G F1S F1P F1L F1Y F3U F3F 41S 41P 41L 41Y 42S 42P 42L 42Y 43S 43P 43L 43Y 45U 45F 46U D4U G1U G1F G2U G2F G3U G3F B4S B4Y 47S 47Y 48U 49U 49F 51S 51Y 52S 52Y 53S 53Y 54U 55U 55F H1U H2U H2F)	40Y8761	*
4	Hard Disk Drive 160GB 7200 rpm Serial ATA (models CTO 24S 24P 24L 24Y E3S E3P E3L E3Y F2S F2P F2L F2Y 44S 44P 44L 44Y D5U)	40Y8762	*
4	Hard Disk Drive 160GB 7200 rpm Serial ATA (models CTO 24S 24P 24L 24Y E3S E3P E3L E3Y F2S F2P F2L F2Y 44S 44P 44L 44Y D5U)	40Y9035	*
4	Hard Disk Drive 250GB 7200 rpm Serial ATA (models CTO)	40Y8763	*
4	Hard Disk Drive 250GB 7200 rpm Serial ATA (models CTO)	40Y9036	*
5	Rotating bay assembly (all models)	03R0285	**
6	Bezel Plastic Kit (all models)	26K1214	*



Item #	8341 FRUs	FRU#	CRU
7	Slim Diskette Drive, 1.44 MB 3 mode (without cable and bezel) (models CTO A2S A2P A2L A2Y A3S A3P A3L A3Y B1S B1P B1L B1Y 21S 21P 21L 21Y 22S 22P 22L 22Y 23S 23P 23L 23Y 24S 24P 24L 24Y D1S D1P D1L D1Y E1S E1P E1L E1Y F1S F1P F1L F1Y 41S 41P 41L 41Y 43S 43P 43L 43Y 44S 44P 44L 44Y B4S B4Y 47S 47Y 51S 51Y 52S 52Y 53S 53Y)	40Y9109	*
7	Slim Diskette Drive, 1.44 MB 3 mode (without cable and bezel) (models CTO A2S A2P A2L A2Y A3S A3P A3L A3Y B1S B1P B1L B1Y 21S 21P 21L 21Y 22S 22P 22L 22Y 23S 23P 23L 23Y 24S 24P 24L 24Y D1S D1P D1L D1Y E1S E1P E1L E1Y F1S F1P F1L F1Y 41S 41P 41L 41Y 43S 43P 43L 43Y 44S 44P 44L 44Y B4S B4Y 47S 47Y 51S 51Y 52S 52Y 53S 53Y)	40Y9111	*
8	Heat Sink, Side Car w/baffle, Lead Free (all models)	26K1258	**
9	Microprocessor, 2.53GHZ Celeron Prescott P4 (533FSB, 256KB) (models CTO)	39J7004	**
9	Microprocessor, 2.66 GHZ Celeron Prescott P4 (533FSB, 256KB) (models CTO A1S A1P A1L A1Y A2S A2P A2L A2Y)	39J7005	**
9	Microprocessor, 2.8 GHZ Celeron Prescott P4 (533FSB, 256KB) (models CTO CTO A2S A2P A2L A2Y A3S A3P A3L A3Y)	39J7006	**
9	Microprocessor, 2.93 GHZ Celeron Prescott P4 (533FSB, 256KB) (models CTO B1S B1P B1L B1Y B2S B2P B2L B2Y)	39J7007	**
9	Microprocessor, 3.06 GHZ Celeron Prescott P4 (533FSB, 256KB) (models CTO B3G B4S B4Y)	39J7008	**
9	Microprocessor, 3.2 GHZ Celeron Prescott P4 (533FSB, 256KB) (models CTO)	39J9695	**
9	Microprocessor, 3.2 GHZ Celeron Prescott P4 (533FSB, 512KB) (models CTO)	41T4966	**
9	Microprocessor, 3.33 GHZ Celeron Prescott P4 (533FSB, 256KB) (models CTO)	41T1132	**
9	Microprocessor, 3.33 GHZ Celeron Prescott P4 (533FSB, 512KB) (models CTO)	41T4968	**
9	Microprocessor, 2.66 GHZ Prescott P4 (533FSB, 1MB) (models CTO)	41D0684	**
9	Microprocessor, 2.93 GHZ Prescott P4 (533FSB, 1MB) (models CTO 21S 21P 21L 21Y 22S 22P 22L 22Y)	41D0686	**
9	Microprocessor, 3.06 GHZ Prescott P4 (533FSB, 1MB) (models CTO 23S 23P 23L 23Y 24S 24P 24L 24Y)	41D0688	**
9	Microprocessor, 2.8 GHZ Prescott P4 (800FSB, 1MB) (models CTO 41S 41P 41L 41Y 42S 42P 42L 42Y 43S 43P 43L 43Y 44S 44P 44L 44Y 45U 45F 46U)	39J7009	**
9	Microprocessor, Pentium 4 3.06GHz 533MHz FSB 1MB L2 (models CTO 47S 47Y 48U 49U 49F)	41T4104	**
9	Microprocessor, 3.0 GHZ Prescott P4 (800FSB, 1MB) (models CTO 51S 51Y)	39J7010	**
9	Microprocessor, 3.2 GHZ Prescott P4 (800FSB, 1MB) (models CTO 52S 52Y 53S 53Y 54U 55U 55F)	39J7011	**
9	Microprocessor, 3.4 GHZ Prescott P4 (800FSB, 1MB) (models CTO)	39J7012	**
9	Microprocessor, 3.0 GHZ Prescott P4 (800FSB, 2MB) (models CTO D1S D1P D1L D1Y D2S D2P D2L D2Y D3U D3F D4U D5U)	39J7013	**
9	Microprocessor, 3.0 GHZ Cedar Mill P4 (800FSB, 2MB) (models CTO)	41D5042	**
9	Microprocessor, 3.2 GHZ Prescott P4 (800FSB, 2MB) (models CTO E1S E1P E1L E1Y E2S E2P E2L E2Y E3S E3P E3L E3Y E4U E4F E5G)	39J7014	**
9	Microprocessor, 3.2 GHZ Cedar Mill P4 (800FSB, 2MB) (models CTO)	41D5044	**
9	Microprocessor, 3.4 GHZ Prescott P4 (800FSB, 2MB) (models CTO F1S F1P F1L F1Y F2S F2P F2L F2Y F3U F3F)	39J7015	**
9	Microprocessor, 3.4 GHZ Cedar Mill P4 (800FSB, 2MB) (models CTO)	41D5046	**
9	Microprocessor, 3.6 GHZ Cedar Mill P4 (800FSB, 2MB) (models CTO)	41D5048	**

Item #	8341 FRUs	FRU#	CRU
9	Microprocessor, Pentium D, 2.8 GHZ, 800MHz FSB, 1MBx2 L2 (models CTO G1U G1F G2U G2F G3U G3F)	39J8468	**
9	Microprocessor, Pentium D, 2.8 GHZ, 800MHz FSB, 2MBx2 L2 (models CTO)	41D5050	**
9	Microprocessor, Pentium D, 3.0 GHZ, 800MHz FSB, 2MBx2 L2 (models CTO)	41D5052	**
9	Microprocessor, Pentium D 3.2 GHz 800 FSB 2MBx2 L2 C1-Value) (models CTO H1U H2U H2F)	TBD	**
10	System Board (models CTO A1S A1P A1L A1Y A2S A2P A2L A2Y A3S A3P A3L A3Y A4S A4P A4L A4Y B1S B1P B1L B1Y B2S B2P B2L B2Y B3G 21S 21P 21L 21Y 22S 22P 22L 22Y 23S 23P 23L 23Y 24S 24P 24L 24Y D1S D1P D1L D1Y D2S D2P D2L D2Y D3U D3F E1S E1P E1L E1Y E2S E2P E2L E2Y E3S E3P E3L E3Y E4U E4F E5G F1S F1P F1L F1Y F2S F2P F2L F2Y F3U F3F 41S 41P 41L 41Y 42S 42P 42L 42Y 43S 43P 43L 43Y 44S 44P 44L 44Y 45U 45F 46U D4U D5U G1U G1F G2U G2F G3U G3F B4S B4Y 47S 47Y 48U 49U 49F 51S 51Y 52S 52Y 53S 53Y 54U 55U 55F H1U H2U H2F)	41D2469	**
11	256MB DDR2 SDRAM NP Memory (PC 4200) (models CTO A1S A1P A1L A1Y A2S A2P A2L A2Y A3S A3P A3L A3Y A4S A4P A4L A4Y B1S B1P B1L B1Y B2S B2P B2L B2Y B3G 21S 21P 21L 21Y 22S 22P 22L 22Y 23S 23P 23L 23Y 24S 24P 24L 24Y D1S D1P D1L D1Y D2S D2P D2L D2Y E1S E1P E1L E1Y E2S E2P E2L E2Y E3S E3P E3L E3Y F1S F1P F1L F1Y F2S F2P F2L F2Y 42S 42P 42L 42Y 43S 43P 43L 43Y 44S 44P 44L 44Y B4S B4Y 47S 47Y 51S 51Y 52S 52Y)	30R5120	*
11	512MB DDR2 SDRAM NP Memory (PC 4200) (models CTO D3U D3F E4U E4F E5G F3U F3F 41S 41P 41L 41Y 45U 45F 46U D4U D5U G1U G1F G2U G2F G3U G3F 48U 49U 49F 53S 53Y 54U 55U 55F H1U H2U H2F)	30R5121	*
11	1GB DDR2 SDRAM NP Memory (PC 4200) (models CTO)	30R5122	*
11	2GB DDR2 SDRAM NP Memory (PC 4200) (models CTO)	30R5123	*
12	Riser card assembly (all models)	41A7730	*
13	Speaker/cable assembly (all models)	39K5012	*
14	Chassis (all models)	26K1262	**

The FRUs listed in the following table are not illustrated.

8341 FRUs	FRU#	CRU
Hard disk Drive tray (all models)	03R0302	**
Floor stand and vertical deflector (all models)	74P0404	**
System board tray (all models)	26K1213	**
Internal plastic kit (all models)	03R0289	**
Cable, 2 Drop Hard Disk Drive and Optical - ATA 100 (all models)	26K1246	*
Cable, Optical (1 Drop) ATA 100 (all models)	26K1244	*
Cable, SATA Device (all models)	39K5026	*
Cable, pwr/LED (all models)	26K1242	*
Cable, Diskette Drive (all models)	26K1248	*
Fan assembly (all models)	26K1253	*
Battery (all models)	33F8354	*
Universal Adapter Bracket 5.25 to 3.5-inch (all models)	32P4743	*
Retention module, tool less heat sink (all models)	26K1281	*

8341 Keyboards (Preferred Pro Fullsize)	FRU#	CRU
US English (models CTO-U CTO-G A1L A2L A3L A4L B1L B2L B3G 21L 22L 23L 24L D1L D2L D3U E1L E2L E3L E4U E5G F1L F2L F3U 41L 42L 43L 44L 45U 46U D4U D5U G1U G2U G3U 48U 49U 54U 55U H1U H2U)	89P8300	*
Arabic (models CTO-G B3G E5G)	89P8301	*
Belgian/French (models CTO-G B3G E5G)	89P8302	*
Belgian/UK (models CTO-G B3G E5G)	89P8303	*
Brazil/Portuguese (models CTO-L A1P A2P A3P A4P B1P B2P 21P 22P 23P 24P D1P D2P E1P E2P E3P F1P F2P 41P 42P 43P 44P)	89P8304	*
Bulgarian (models CTO-G B3G E5G)	89P8305	*
Czech (models CTO-G B3G E5G)	89P8307	*
Danish (models CTO-G B3G E5G)	89P8308	*
Dutch (models CTO-G B3G E5G)	89P8309	*
French (models CTO-G B3G E5G)	89P8310	*
French Canadian 445 (models CTO-U D3F E4F F3F 45F G1F G2F G3F 49F 55F H2F)	89P8311	*
French Canadian 58 (models CTO-U D3F E4F F3F 45F G1F G2F G3F 49F 55F H2F)	89P8312	*
German (models CTO-G B3G E5G)	89P8313	*
Greek (models CTO-G B3G E5G)	89P8314	*
Hebrew (models CTO-G B3G E5G)	89P8315	*
Hungarian (models CTO-G B3G E5G)	89P8316	*
Iceland (models CTO-G B3G E5G)	89P8317	*
Italian (models CTO-G B3G E5G)	89P8319	*
LA Spanish (models CTO-L A1S A1Y A2S A2Y A3S A3Y A4S A4Y B1S B1Y B2S B2Y 21S 21Y 22S 22Y 23S 23Y 24S 24Y D1S D1Y D2S D2Y E1S E1Y E2S E2Y E3S E3Y F1S F1Y F2S F2Y 41S 41Y 42S 42Y 43S 43Y 44S 44Y B4S B4Y 47S 47Y 51S 51Y 52S 52Y 53S 53Y)	89P8322	*
Norwegian (models CTO-G B3G E5G)	89P8323	*
Polish (models CTO-G B3G E5G)	89P8324	*
Portuguese (models CTO-G B3G E5G)	89P8325	*
Romanian (models CTO-G B3G E5G)	89P8326	*
Russian (models CTO-G B3G E5G)	89P8327	*
Russian/Cyrillic (models CTO-G B3G E5G)	89P8328	*
Serbian/Cyrillic (models CTO-G B3G E5G)	89P8329	*
Slovak (models CTO-G B3G E5G)	89P8330	*
Spanish (models CTO-G B3G E5G)	89P8331	*
Swedish/Finn (models CTO-G B3G E5G)	89P8332	*
Swiss F/G (models CTO-G B3G E5G)	89P8333	*
Thailand (models CTO-A)	89P8334	*
Turkish 179 (models CTO-G B3G E5G)	89P8336	*
UK English (models CTO-G B3G E5G)	89P8337	*
US Euro (models CTO-G B3G E5G)	89P8338	*
Yugoslav/Latin (models CTO-G B3G E5G)	89P8339	*

<b>8341 Keyboards (with fingerprint reader)</b>	<b>FRU#</b>	<b>CRU</b>
US English (models CTO-U CTO-G)	89P9000	*
Arabic (models CTO-G)	89P9001	*
Arabic/French (models CTO-G)	89P9002	*
Belgian/French (models CTO-G)	89P9003	*
Belgian/UK (models CTO-G)	89P9004	*
Brazilian Portuguese (models CTO-L)	89P9005	*
Bulgarian (models CTO-G)	89P9006	*
Chinese/US (models CTO-G)	89P9007	*
Czech (models CTO-G)	89P9008	*
Danish (models CTO-G)	89P9009	*
Dutch (models CTO-G)	89P9010	*
French (models CTO-G)	89P9011	*
French Canadian 445 (models CTO-U)	89P9012	*
French Canadian 58 (models CTO-U)	89P9013	*
German (models CTO-G)	89P9014	*
Greek (models CTO-G)	89P9015	*
Hebrew (models CTO-G)	89P9016	*
Hungarian (models CTO-G)	89P9017	*
Iceland (models CTO-G)	89P9018	*
Italian 141 (models CTO-G)	89P9019	*
LA Spanish (models CTO-L)	89P9022	*
Norwegian (models CTO-G)	89P9023	*
Polish (models CTO-G)	89P9024	*
Portuguese (models CTO-G)	89P9025	*
Romanian (models CTO-G)	89P9026	*
Romanian (models CTO-G)	89P9027	*
Russian/Cyrillic (models CTO-G)	89P9028	*
Serbian/Cyrillic (models CTO-G)	89P9029	*
Slovak (models CTO-G)	89P9030	*
Spanish (models CTO-G)	89P9031	*
Swedish/Finn (models CTO-G)	89P9032	*
Swiss F/G (models CTO-G)	89P9033	*
Thailand (models CTO-A)	89P9034	*
Turkish 440 (models CTO-G)	89P9035	*
Turkish 179 (models CTO-G)	89P9036	*
UK English (models CTO-G)	89P9037	*
US Euro (models CTO-G)	89P9038	*
Yugoslav/Latin (models CTO-G)	89P9039	*

<b>8341 mice</b>	<b>FRU#</b>	<b>CRU</b>
Mouse, Scrollpoint Optical, USB (models CTO)	41A4933	*

8341 mice	FRU#	CRU
Mouse, Optical Wheelmouse, USB (all models)	41A4935	*
Mouse, PS2 Wheelmouse, black (models CTO)	41A4917	*

8341 Adapters and miscellaneous FRU	FRU#	CRU
Soft Modem V.90/V.44 (models CTO 41S 41P 41L 41Y 44S 44P 44L 44Y 46U D4U D5U 49U 49F 55U 55F)	29R9729	*
128MB DDR ATI Radeon x300SE (DMS59 connector) (models CTO)	39J9635	*
128MB DDR ATI RADEON X700 PRO VGA, DVI-I, TV-Out PCI-e BTX (models CTO)	39J6203	*
Nvidia GeForce 6200 P262 w/NV44 (models CTO)	39J6213	*
PCI-E DVI-D Connection Adapter (ADD 2-R) (Full Height) (models CTO E5G)	39J9334	*
Speakers, Jazz Infinity Active T1 (Black) (models CTO 41S 41P 41L 44S 44P 44L 44Y 46U D4U 41Y)	89P8589	*
Speaker Power brick - US, Canada, LA (low voltage), Taiwan, Phillipines, Thailand (models CTO-U CTO-L CTO-A 41S 41L 44S 44L 44Y 46U D4U 41Y)	89P8571	*
Speaker Power brick - UK, Hong Kong (British version), ASEAN (models CTO-A)	89P8573	*
Speaker Brick - Europe and LA (high voltage) (models CTO-G CTO-L)	89P8575	*
Speaker Power brick (newer 2 prong) - China, Thailand, Phillipines (models CTO-A)	89P8581	*
Speaker Power brick - ANZ (models CTO-A)	89P8579	*
Speaker Power brick - Brazil (models CTO-L 41P 44P)	89P8583	*
Speaker Power brick - India, South Africa (models CTO-A CTO-G)	89P8585	*
Speaker Power brick - Argentina (models CTO-U CTO-L CTO-A 41S 41L 44S 44L 44Y 46U D4U 41Y)	41A4901	*
RJ11 connector adapter (Spain, Ireland) (All "G" models)	60H6043	*
RJ11 connector adapter (Austria) (All "G" models)	60H6045	*
RJ11 connector adapter (Belgium) (All "G" models)	60H6046	*
RJ11 connector adapter (Denmark) (All "G" models)	60H6047	*
RJ11 connector adapter (Norway, Finland) (All "G" models)	60H6048	*
RJ11 connector adapter (France) (All "G" models)	60H6049	*
RJ11 connector adapter (Germany) (All "G" models)	60H6050	*
RJ11 connector adapter (UK, NZ, HK) (All "G", "M", "B", "H" models)	60H6051	*
RJ11 connector adapter (Italy) (All "G" models)	60H6052	*
RJ11 connector adapter (Netherlands) (All "G" models)	60H6053	*
RJ11 connector adapter (Sweden) (All "G" models)	60H6054	*
RJ11 connector adapter (Switzerland) (All "G" models)	60H6055	*

8341 Power Cords	FRU#	CRU
Power cord - US (models CTO-U A1S A1L A2S A2L A3S A3L A4S A4L B1S B1L B2S B2L 21S 21L 22S 22L 23S 23L 24S 24L D1S D1L D2S D2L D3U D3F E1S E1L E2S E2L E3S E3L E4U E4F F1S F1L F2S F2L F3U F3F 41S 41L 42S 42L 43S 43L 44S 44L 45U 45F 46U D4U D5U G1U G1F G2U G2F G3U G3F B4S 47S 48U 49U 49F 51S 52S 53S 54U 55U 55F H1U H2U H2F)	39M5080	*
Power cord - Brazil (models CTO-L A1P A2P A3P A4P B1P B2P 21P 22P 23P 24P D1P D2P E1P E2P E3P F1P F2P 41P 42P 43P 44P)	39M5232	*

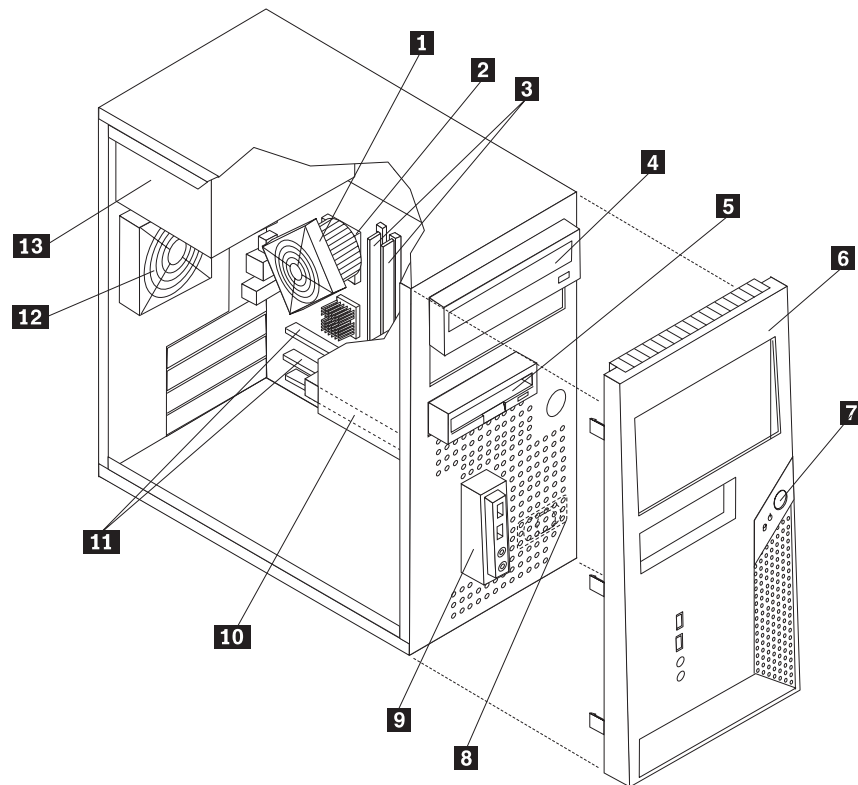
8341 Power Cords	FRU#	CRU
Power cord - LA High Volt (APU) (models CTO-L A1L A1Y A2L A2Y A3L A3Y A4L A4Y B1L B1Y B2L B2Y 21L 21Y 22L 22Y 23L 23Y 24L 24Y D1L D1Y D2L D2Y E1L E1Y E2L E2Y E3L E3Y F1L F1Y F2L F2Y 41L 41Y 42L 42Y 43L 43Y 44L 44Y B4Y 47Y 51Y 52Y 53Y)	39M5067	*
Power cord - Australia/New Zealand (models CTO-A)	39M5102	*
Power cord - Hong Kong (models CTO-A)	39M5151	*
Power cord - UK, Ireland, Singapore, Malaysia, Brunei (models CTO-G CTO-A)	39M5150	*
Power cord - Italy (models CTO-G A1S A1L A1Y A2S A2L A2Y A3S A3L A3Y A4S A4L A4Y B1S B1L B1Y B2S B2L B2Y B3G 21S 21L 21Y 22S 22L 22Y 23S 23L 23Y 24S 24L 24Y D1S D1L D1Y D2S D2L D2Y E1S E1L E1Y E2S E2L E2Y E3S E3L E3Y E5G F1S F1L F1Y F2S F2L F2Y 41S 41L 41Y 42S 42L 42Y 43S 43L 43Y 44S 44L 44Y B4S B4Y 47S 47Y 51S 51Y 52S 52Y 53S 53Y)	39M5164	*
Power cord - G models (models CTO-G B3G E5G)	39M5122	*
Power cord - Denmark (models CTO-G B3G E5G)	39M5129	*
Power cord - Switzerland (models CTO-G B3G E5G)	39M5157	*
Power cord - Israel (models CTO-G B3G E5G)	39M5171	*
Power cord - South Africa (models CTO-G B3G E5G)	39M5143	*
Power cord - India (models CTO-A)	39M5004	*

8341 Windows XP Home Recovery CDs	FRU#	CRU
US/UK/AP/TH (models A1L A4L B2L 21L 24L 41L 44L 46U D4U)	41T1810	*
SP/LA (models A1S A1Y A4S A4Y B2S B2Y 21S 21Y 24S 24Y 41S 41Y 44S 44Y)	41T4172	*
BR (models A1P A4P B2P 21P 24P 41P 44P)	41T4174	*

8341 Windows XP Pro Recovery CDs	FRU#	CRU
US/UK/AP/TH (models A2L A3L B1L B3G 22L 23L D1L D2L D3U E1L E2L E3L E4U E5G F1L F2L F3U 42L 43L 45U D5U G1U G2U G3U 48U 49U 54U 55U H1U H2U)	41T1809	*
RE (models B3G E5G)	41T4985	*
FR/CF (models B3G D3F E4F E5G F3F 45F G1F G2F G3F 49F 55F H2F)	41T4134	*
GR (models B3G E5G)	41T4135	*
SP/LA (models B3G E5G A2S A2Y A3S A3Y B1S B1Y B3G 22S 22Y 23S 23Y D1S D1Y D2S D2Y E1S E1Y E2S E2Y E3S E3Y E5G F1S F1Y F2S F2Y 42S 42Y 43S 43Y B4S B4Y 47S 47Y 51S 51Y 52S 52Y 53S 53Y)	41T4136	*
IT (models B3G E5G)	41T4137	*
BR (models F2P 43P)	41T4138	*
SV (models B3G E5G)	41T4139	*
DK (models B3G E5G)	41T4991	*
FI (models B3G E5G)	41T4997	*
NO (models B3G E5G)	41T5003	*
NL (models B3G E5G)	41T5009	*
HE (models B3G E5G)	41T5015	*
PL (models B3G E5G)	41T5021	*
CZ (models B3G E5G)	41T5027	*
AE (models B3G E5G)	41T5033	*

8341 Windows XP Pro Recovery CDs	FRU#	CRU
RU (models B3G E5G)	41T5039	*
TR (models B3G E5G)	41T5045	*
HU (models B3G E5G)	41T5051	*
PO (models B3G E5G)	41T5057	*
GK (models B3G E5G)	41T5063	*
SL (models B3G E5G)	41T5069	*
Multilingual 1 (models B3G E5G)	41T4206	*
Multilingual 2 (models B3G E5G)	41T5159	*

## Machine Type 8342



Item #	8342 FRUs	FRU#	CRU
1	Intel-Circular Radial Fin Fansink for 84W CPUs (all models)	41D3552	N
2	Microprocessor 2.53GHZ Celeron Prescott P4 (533 FSB, 256KB) (models CTO)	41T1693	N
2	Microprocessor 2.66GHZ Celeron Prescott P4 (533 FSB, 256KB) (models CTO)	41T1694	N
2	Microprocessor 2.8GHZ Celeron Prescott P4 (533 FSB, 256KB) (models CTO)	41T1695	N
2	Microprocessor 2.93GHZ Celeron Prescott P4 (533 FSB, 256KB) (models CTO)	41T1696	N
2	Microprocessor 3.06GHZ Celeron Prescott P4 (533 FSB, 256KB) (models CTOG)	41T1697	N
2	Microprocessor 3.20GHZ Celeron Prescott P4 (533 FSB, 256KB) (models CTO)	41T1698	N
2	Microprocessor 2.66GHZ Prescott P4 (533 FSB, 1MB) (models CTO)	41T1706	N
2	Microprocessor 2.93GHZ Prescott P4 (533 FSB, 1MB) (models CTO)	41T1707	N

Item #	8342 FRUs	FRU#	CRU
2	Microprocessor 3.06GHZ Prescott P4 (533 FSB, 1MB) (models CTO)	41T1708	N
2	Microprocessor 2.8GHZ Prescott P4 (800 FSB, 1MB) (models CTO 41G)	41T1700	N
2	Microprocessor 3.0GHZ Prescott P4 (800 FSB, 1MB) (models CTO)	41T1701	N
2	Microprocessor 3.2GHZ Prescott P4 (800 FSB, 1MB) (models CTO)	41T1702	N
2	Microprocessor 3.4GHZ Prescott P4 (800 FSB, 1MB) (models CTO)	41T1703	N
2	Microprocessor 2.8GHZ Prescott P4 (800 FSB, 2MB) (models CTO 61G)	41X2412	N
2	Microprocessor 3.0GHZ Prescott P4 (800 FSB, 2MB) (models CTO)	41T1709	N
2	Microprocessor 3.0GHZ Cedar Mill P4 (800 FSB, 2MB) (models CTO)	41T1712	N
2	Microprocessor 3.2GHZ Prescott P4 (800 FSB, 2MB) (models CTO)	41T1710	N
2	Microprocessor 3.2GHZ Cedar Mill P4 (800 FSB, 2MB) (models CTO)	41T1713	N
2	Microprocessor 3.4GHZ Prescott P4 (800 FSB, 2MB) (models CTO F1G)	41T1711	N
2	Microprocessor 3.4GHZ Cedar Mill P4 (800 FSB, 2MB) (models CTO)	41T1714	N
2	Microprocessor 3.6GHZ Cedar Mill P4 (800 FSB, 2MB) (models CTO H1G)	41T1715	N
2	Microprocessor 2.8GHZ Smithfield P4 (800 FSB, 2x1MB) (models CTO 32G)	41T1704	N
2	Microprocessor Pentium D 2.8GHz 800MHz FSB 2Mx2 L2 C1-Value (models CTO 52G)	TBD	N
2	Microprocessor 2.8GHZ Presler P4 (800 FSB, 2x2MB) (models CTO)	41T1716	N
2	Microprocessor Pentium D 3.0 GHz 800 FSB 2MBx2 L2 C1-Value (models CTO)	41D5064	N
2	Microprocessor 3.0GHZ Presler P4 (800 FSB, 2x2MB) (models CTO)	41T1717	N
2	Microprocessor Pentium D 3.2GHz 800MHz FSB 2Mx2 L2 C1-Value) (models CTO 82G)	TBD	N
3	Memory module, 256MB DDR2 SDRAM NP Memory PC 4200) (models CTO)	30R5120	**
3	Memory module, 512MB DDR2 SDRAM NP Memory PC 4200) (models CTO F1G 41G 61G 52G 82G)	30R5121	**
3	Memory module, 1GB DDR2 SDRAM NP Memory PC 4200) (models CTO H1G 82G)	30R5122	**
3	Memory module, 2GB DDR2 SDRAM NP Memory PC 4200) (models CTO)	30R5123	**
3	Memory module, 256MB DDR2 SDRAM NP Memory PC 5300) (models CTO)	30R5124	**
3	Memory module, 512MB DDR2 SDRAM NP Memory PC 5300) (models CTO)	30R5125	**
3	Memory module, 1GB DDR2 SDRAM NP Memory PC 5300) (models CTO)	30R5126	**
4	CD-ROM drive 48X (models CTO)	40Y8955	*
4	CD-ROM drive 48X (models CTO)	40Y8929	**
4	CD-ROM drive 48X (models CTO)	40Y8953	**
4	CD-ROM drive 48X (models CTO)	40Y8807	**
4	CD-RW drive (48/32X/48X) (models CTO)	40Y8901	*
4	CD-RW drive (48/32X/48X) (models CTO)	40Y8937	*
4	DVD-ROM drive (16X/48X) - black (models CTO 41G 61G 32G)	40Y8931	*
4	DVD-ROM drive (16X/48X) - black (models CTO 41G 61G 32G)	40Y8933	*
4	DVD-ROM drive (16X/48X) - black (models CTO 41G 61G 32G)	40Y8935	*
4	DVD-ROM drive (16X/48X) - black (models CTO 41G 61G 32G)	40Y8957	*
4	CD-RW/DVD-ROM Combo drive (48X/32X/48X/16X Max) (models CTO F1G 52G)	40Y8919	*



Item #	8342 FRUs	FRU#	CRU
4	CD-RW/DVD-ROM Combo drive (48X/32X/48X/16X Max) (models CTO F1G 52G)	40Y8941	*
4	Multiburner Plus (models CTO H1G 82G)	40Y8909	*
5	Diskette drive, 3,5", 1.44MB, 3Mode,(wo/bezel) (models CTO)	40Y9107	*
5	Diskette drive, 3,5", 1.44MB, 3Mode,(wo/bezel) (models CTO)	40Y9105	*
5	Diskette drive, 3,5", 1.44MB, 3Mode,(wo/bezel) (models CTO)	40Y9113	*
6	Bezel assembly (all models)	41A7185	**
7	Power switch/LED assembly (RoHs) (all models)	41N5284	**
8	Speaker assembly, Soldered terminals ( all models)	39P5023	**
9	Front audio/USB assembly (all models)	41A7187	**
10	Hard disk drive, 40GB (7200RPM), Serial ATA (models CTO)	40Y9033	*
10	Hard disk drive, 40GB (7200RPM), Serial ATA (models CTO)	40Y8760	*
10	Hard disk drive, 80GB (7200RPM), Serial ATA (models CTO 41G 61G 32G)	40Y9034	*
10	Hard disk drive, 80GB (7200RPM), Serial ATA (models CTO 41G 61G 32G)	40Y8761	*
10	Hard disk drive, 160GB (7200RPM), Serial ATA (models CTO F1G 52G)	40Y8762	*
10	Hard disk drive, 160GB (7200RPM), Serial ATA (models CTO F1G 52G)	40Y9035	*
10	Hard disk drive, 250GB (7200RPM), Serial ATA (models CTO H1G 82G)	40Y8763	*
10	Hard disk drive, 250GB (7200RPM), Serial ATA (models CTO H1G 82G)	40Y9036	*
11	System board, 945GZ (models CTO F1G H1G 41G 61G)	41D2471	*
11	System board, 945GZ (models CTO F1G H1G 41G 61G)	41X2050	*
12	System fan (models)	TBD	**
13	Power supply (230W) (models CTO F1G H1G 41G 61G 32G 52G 82G)	41N3094	**
13	Power supply (230W) (China) (models CTO-A CTO-L)	24R2592	**

The FRUs listed in the following table are not illustrated.

8342 FRUs	FRU#	CRU
Shield, 5.25 EMC (all models)	41A7178	*
Cable, SATA (18" RoHs) (all models)	26K1186	*
Cable, Serial (all models)	39K5021	*
Diskette drive EMC Shield (all models)	41A7180	*
Cable, Diskette drive (RoHs) (all models)	41A7182	*
Cover, left side (all models)	41A7183	*
Chassis assembly (all models)	41A7184	*
I/O Shield - Tamdhu Park (all models)	41A7189	N
Kit, Misc. Hardware (all models)	41A7188	**
Retention Module Kit, RoHs (all models)	41A7139	N
2 Drop IDE (all models)	41A7190	**
Bezel, 5.25" blank (all models)	41N8077	*
Universal Adapter Bracket 5.25 to 3.5-inch (all models)	32P4743	*
Battery, 3.0V (all models)	33F8354	*

<b>8342 Keyboard (Preferred Pro, Fullsize, Stealth black)</b>	<b>FRU#</b>	<b>CRU</b>
US English (models CTO-U CTO-G 41G 61G 32G 52G)	89P8300	*
Arabic (models CTO-G 41G 61G 32G 52G)	89P8301	*
Belgian/French (models CTO-G 41G 61G 32G 52G)	89P8302	*
Belgian/UK (models CTO-G 41G 61G 32G 52G)	89P8303	*
Brazil/Portugese (models CTO-L)	89P8304	*
Bulgarian (models CTO-G 41G 61G 32G 52G)	89P8305	*
Czech (models CTO-G 41G 61G 32G 52G)	89P8307	*
Danish (models CTO-G 41G 61G 32G 52G)	89P8308	*
Dutch (models CTO-G 41G 61G 32G 52G)	89P8309	*
French (models CTO-G 41G 61G 32G 52G)	89P8310	*
French Canadian 445 (models CTO-U)	89P8311	*
French Canadian 58 (models CTO-U)	89P8312	*
German (models CTO-G 41G 61G 32G 52G)	89P8313	*
Greek (models CTO-G 41G 61G 32G 52G)	89P8314	*
Hebrew (models CTO-G 41G 61G 32G 52G)	89P8315	*
Hungarian (models CTO-G 41G 61G 32G 52G)	89P8316	*
Iceland (models CTO-G 41G 61G 32G 52G)	89P8317	*
Italian 141 (models CTO-G 41G 61G 32G 52G)	89P8318	*
Italian 142 (models CTO-G 41G 61G 32G 52G)	89P8319	*
LA Spanish (models CTO-L)	89P8322	*
Norwegian (models CTO-G 41G 61G 32G 52G)	89P8323	*
Polish (models CTO-G 41G 61G 32G 52G)	89P8324	*
Portuguese (models CTO-G 41G 61G 32G 52G)	89P8325	*
Romanian (models CTO-G 41G 61G 32G 52G)	89P8326	*
Russian/Cyrillic (models CTO-G 41G 61G 32G 52G)	89P8328	*
Serbian/Cyrillic (models CTO-G 41G 61G 32G 52G)	89P8329	*
Slovak (models CTO-G 41G 61G 32G 52G)	89P8330	*
Spanish (models CTO-G 41G 61G 32G 52G)	89P8331	*
Swedish/Finn (models CTO-G 41G 61G 32G 52G)	89P8332	*
Swiss F/G (models CTO-G 41G 61G 32G 52G)	89P8333	*
Thailand (models CTO-A)	89P8334	*
Turkish 440 (models CTO-G 41G 61G 32G 52G)	89P8335	*
Turkish 179 (models CTO-G 41G 61G 32G 52G)	89P8336	*
UK English (models CTO-G 41G 61G 32G 52G)	89P8337	*
US Euro (models CTO-G 41G 61G 32G 52G)	89P8338	*
Yugoslav/Latin (models CTO-G 41G 61G 32G 52G)	89P8339	*

<b>8342 Keyboards (with fingerprint reader)</b>	<b>FRU#</b>	<b>CRU</b>
US English (models CTO-U CTO-G F1G H1G 82G)	89P9000	*
Arabic (models CTO-G F1G H1G 82G)	89P9001	*
Arabic/French (models CTO-G F1G H1G 82G)	89P9002	*

<b>8342 Keyboards (with fingerprint reader)</b>	<b>FRU#</b>	<b>CRU</b>
Belgian/French (models CTO-G F1G H1G 82G)	89P9003	*
Belgian/UK (models CTO-G F1G H1G 82G)	89P9004	*
Brazilian Portuguese (models CTO-L)	89P9005	*
Bulgarian (models CTO-G F1G H1G 82G)	89P9006	*
Czech (models CTO-G F1G H1G 82G)	89P9008	*
Danish (models CTO-G F1G H1G 82G)	89P9009	*
Dutch (models CTO-G F1G H1G 82G)	89P9010	*
French (models CTO-G F1G H1G 82G)	89P9011	*
French Canadian 445 (models CTO-U)	89P9012	*
French Canadian 58 (models CTO-U)	89P9013	*
German (models CTO-G F1G H1G 82G)	89P9014	*
Greek (models CTO-G F1G H1G 82G)	89P9015	*
Hebrew (models CTO-G F1G H1G 82G)	89P9016	*
Hungarian (models CTO-G F1G H1G 82G)	89P9017	*
Iceland (models CTO-G F1G H1G 82G)	89P9018	*
Italian 141 (models CTO-G F1G H1G 82G)	89P9019	*
LA Spanish (models CTO-L)	89P9022	*
Norwegian (models CTO-G F1G H1G 82G)	89P9023	*
Polish (models CTO-G F1G H1G 82G)	89P9024	*
Portuguese (models CTO-G F1G H1G 82G)	89P9025	*
Romanian (models CTO-G F1G H1G 82G)	89P9026	*
Romanian (models CTO-G F1G H1G 82G)	89P9027	*
Russian/Cyrillic (models CTO-G F1G H1G 82G)	89P9028	*
Serbian/Cyrillic (models CTO-G F1G H1G 82G)	89P9029	*
Slovak (models CTO-G F1G H1G 82G)	89P9030	*
Spanish (models CTO-G F1G H1G 82G)	89P9031	*
Swedish/Finn (models CTO-G F1G H1G 82G)	89P9032	*
Swiss F/G (models CTO-G F1G H1G 82G)	89P9033	*
Thailand (models CTO-A)	89P9034	*
Turkish 440 (models CTO-G F1G H1G 82G)	89P9035	*
Turkish 179 (models CTO-G F1G H1G 82G)	89P9036	*
UK English (models CTO-G F1G H1G 82G)	89P9037	*
US Euro (models CTO-G F1G H1G 82G)	89P9038	*
Yugoslav/Latin (models CTO-G F1G H1G 82G)	89P9039	*

<b>8342 mice</b>	<b>FRU#</b>	<b>CRU</b>
Mouse, Scrollpoint Optical, USB (models CTO)	41A4933	*
Mouse, Optical Wheelmouse, USB (models CTO F1G H1G 41G 61G 32G 52G 82G)	41A4935	*
Mouse, PS2 Wheelmouse, black (models CTO)	41A4917	*

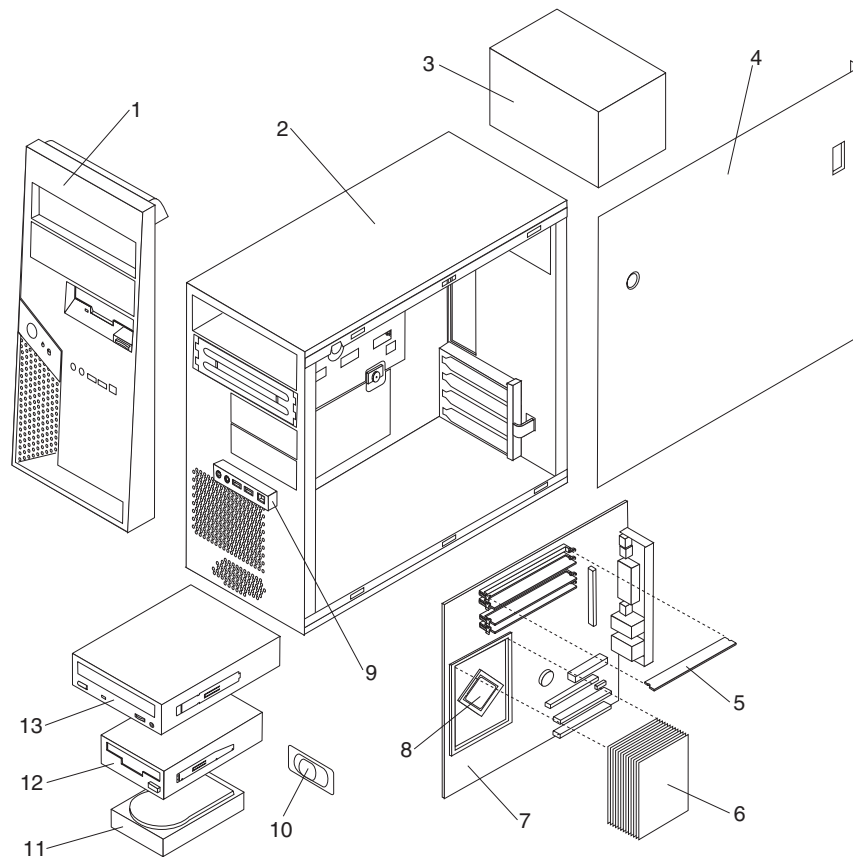
8342 Adapters and miscellaneous FRU	FRU#	CRU
Soft Modem V.90/V.44 (models CTO)	29R9729	*
128MB DDR ATI Radeon x300SE (DMS59 connector) (models CTO)	39J9635	*
128MB DDR ATI RADEON X700 PRO VGA, DVI-I, TV-Out PCI-e BTX (models CTO)	39J6203	*
Nvidia GeForce 6200 P262 w/NV44 (models CTO F1G)	39J6213	*
PCI-E DVI-DConnection Adapter (ADD 2-R) (Full Height) (models CTO E2G)	39J9334	*
Speakers, Jazz Infinity Active T1 (Black) (models CTO)	89P8589	*
Speaker Power brick - US, Canada, LA (low voltage), Taiwan, Phillipines, Thailand (models CTO-U CTO-L CTO-A)	89P8571	*
Speaker Power brick - UK, Hong Kong (British version), ASEAN (models CTO-A)	89P8573	*
Speaker Brick - Europe and LA (high voltage) (models CTO-G CTO-L)	89P8575	*
Speaker Power brick (newer 2 prong) - China, Thailand, Phillipines (models CTO-A)	89P8581	*
Speaker Power brick - ANZ (models CTO-A)	89P8579	*
Speaker Power brick - Brazil (models CTO-L)	89P8583	*
Speaker Power brick - India, South Africa (models CTO-A CTO-G)	89P8585	*
Speaker Power brick - Argentina (models CTO-L)	41A4901	*
RJ11 connector adapter (Spain, Ireland) (All "G" models)	60H6043	*
RJ11 connector adapter (Austria) (All "G" models)	60H6045	*
RJ11 connector adapter (Belgium) (All "G" models)	60H6046	*
RJ11 connector adapter (Denmark) (All "G" models)	60H6047	*
RJ11 connector adapter (Norway, Finland) (All "G" models)	60H6048	*
RJ11 connector adapter (France) (All "G" models)	60H6049	*
RJ11 connector adapter (Germany) (All "G" models)	60H6050	*
RJ11 connector adapter (UK, NZ, HK) (All "G", "M", "B", "H" models)	60H6051	*
RJ11 connector adapter (Italy) (All "G" models)	60H6052	*
RJ11 connector adapter (Netherlands) (All "G" models)	60H6053	*
RJ11 connector adapter (Sweden) (All "G" models)	60H6054	*
RJ11 connector adapter (Switzerland) (All "G" models)	60H6055	*

8342 Power Cords	FRU#	CRU
Power cord - US (models CTO-U)	39M5080	*
Power cord - Brazil (models CTO-L)	39M5232	*
Power cord - LA High Volt (APU) (models CTO-L)	39M5067	*
Power cord - Australia/New Zealand (models CTO-A)	39M5102	*
Power cord - Hong Kong (models CTO-A)	39M5151	*
Power cord - UK, Ireland, Singapore, Malaysia, Brunei (models CTO-G CTO-A F1G H1G 41G 61G)	39M5150	*
Power cord - Taiwan (models CTO-G CTO-A)	39M5246	*
Power cord - Italy (models CTO-G CTO-A F1G H1G 41G 61G 32G 52G 82G)	39M5164	*
Power cord - G models (models CTO-G CTO-A F1G H1G 41G 61G 32G 52G 82G)	39M5122	*
Power cord - Denmark (models CTO-G CTO-A F1G H1G 41G 61G 32G 52G 82G)	39M5129	*
Power cord - Switzerland (models CTO-G CTO-A F1G H1G 41G 61G 32G 52G 82G)	39M5157	*

8342 Power Cords	FRU#	CRU
Power cord - Israel (models CTO-G CTO-A F1G H1G 41G 61G 32G 52G 82G)	39M5171	*
Power cord - South Africa (models CTO-G CTO-A F1G H1G 41G 61G 32G 52G 82G)	39M5143	*
Power cord - India (models CTO-A)	39M5004	*

8342 Windows XP Pro Recovery CDs	FRU#	CRU
US/UK/AP/TH (models F1G H1G 41G 61G 32G 52G 82G)	41T1809	*
RE (models F1G H1G 41G 61G 32G 52G 82G)	41T4985	*
FR/CF (models F1G H1G 41G 61G 32G 52G 82G)	41T4134	*
GR (models F1G H1G 41G 61G 32G 52G 82G)	41T4135	*
SP/LA (models F1G H1G 41G 61G 32G 52G 82G)	41T4136	*
IT (models F1G H1G 41G 61G 32G 52G 82G)	41T4137	*
SV (models F1G H1G 41G 61G 32G 52G 82G)	41T4139	*
DK (models F1G H1G 41G 61G 32G 52G 82G)	41T4991	*
FI (models F1G H1G 41G 61G 32G 52G 82G)	41T4997	*
NO (models F1G H1G 41G 61G 32G 52G 82G)	41T5003	*
NL (models F1G H1G 41G 61G 32G 52G 82G)	41T5009	*
HE (models F1G H1G 41G 61G 32G 52G 82G)	41T5015	*
PL (models F1G H1G 41G 61G 32G 52G 82G)	41T5021	*
CZ (models F1G H1G 41G 61G 32G 52G 82G)	41T5027	*
AE (models F1G H1G 41G 61G 32G 52G 82G)	41T5033	*
RU (models F1G H1G 41G 61G 32G 52G 82G)	41T5039	*
TR (models F1G H1G 41G 61G 32G 52G 82G)	41T5045	*
HU (models F1G H1G 41G 61G 32G 52G 82G)	41T5051	*
PO (models F1G H1G 41G 61G 32G 52G 82G)	41T5057	*
GK (models F1G H1G 41G 61G 32G 52G 82G)	41T5063	*
SL (models F1G H1G 41G 61G 32G 52G 82G)	41T5069	*
Multilingual 1 (models F1G H1G 41G 61G 32G 52G 82G)	41T4206	*
Multilingual 2 (models F1G H1G 41G 61G 32G 52G 82G)	41T5159	*

## Machine Type 8343



Item #	8343 FRUs	FRU#	CRU
1	Bezel Asm (all models)	41A7807	*
2	Chassis Asm (all models)	41A7808	N
3	Power supply, 310 W, standard (models CTO F1G H1G 41G 61G A1G B1G D1G)	24R2596	**
3	Power supply, 310 W, standard, DMO (models CTO F1G)	41N3143	**
3	Power supply, 310 W (China) (models CTO)	24R2598	**
3	Power supply, 310 W, Robust, DMO (models CTO)	41N3366	**
4	Cover (all models)	39M0465	*
5	Memory module, 256MB, DDR2 SDRAM, NP (PC 4200) (models CTO)	30R5120	*
5	Memory module, 512MB, DDR2 SDRAM, NP (PC 4200) (models CTO F1G 41G 61G A1G B1G)	30R5121	*
5	Memory module, 1GB, DDR2 SDRAM, NP (PC 4200) (models CTO H1G D1G)	30R5122	*
5	Memory module, 2GB, DDR2 SDRAM, NP (PC 4200) (models CTO)	30R5123	*
6	Heat sink (all models)	39M0538	**
7	System board, (models CTO F1G H1G 41G 61G A1G B1G D1G)	41X0161	N
8	Microprocessor, Celeron 2.53GHz, 533 FSB, 256KB L2 (models CTO)	39J7016	**
8	Microprocessor, Celeron 2.66GHz, 533 FSB, 256KB L2 (models CTO)	39J7017	**
8	Microprocessor, Celeron 2.80GHz, 533 FSB, 256KB L2 (models CTO)	39J7018	**
8	Microprocessor, Celeron 2.93GHz, 533 FSB, 256KB L2 (models CTO)	39J7019	**

Item #	8343 FRUs	FRU#	CRU
8	Microprocessor, Celeron 3.06GHz, 533 FSB, 256KB L2 (models CTO)	39J7020	**
8	Microprocessor, Celeron 3.20GHz, 533 FSB, 256KB L2 (models CTO)	39J9696	**
8	Microprocessor, Pentium 4 2.66GHz, 533 FSB, 1MB L2 (models CTO)	41D0690	**
8	Microprocessor, Pentium 4 2.93GHz, 533 FSB, 1MB L2 (models CTO)	41D0692	**
8	Microprocessor, Pentium 4 3.06GHz, 533 FSB, 1MB L2 (models CTO)	41D0694	**
8	Microprocessor, Pentium 4 2.8GHz, 800 FSB, 1MB L2 (models CTO 41G)	39J7021	**
8	Microprocessor, Pentium 4 3.0GHz, 800 FSB, 1MB L2 (models CTO)	39J7022	**
8	Microprocessor, Pentium 4 3.2GHz, 800 FSB, 1MB L2 (models CTO)	39J7023	**
8	Microprocessor, Pentium 4 3.4GHz, 800 FSB, 1MB L2 (models CTO)	39J7024	**
8	Microprocessor, Pentium 4 2.8GHz, 800 FSB, 2MB L2 (models CTO 61G)	41X2412	**
8	Microprocessor, Pentium 4 3.0GHz, 800 FSB, 2MB L2 (models CTO)	39J7025	**
8	Microprocessor, Pentium 4 3.0GHz, Cedar Mill 800 FSB, 2MB L2 (models CTO)	41D5054	**
8	Microprocessor, Pentium 4 3.2GHz, 800 FSB, 2MB L2 (models CTO)	39J7026	**
8	Microprocessor, Pentium 4 3.2GHz, Cedar Mill 800 FSB, 2MB L2 (models CTO)	41D5056	**
8	Microprocessor, Pentium 4 3.4GHz, 800 FSB, 2MB L2 (models CTO F1G)	39J7027	**
8	Microprocessor, Pentium 4 3.4GHz, Cedar Mill 800 FSB, 2MB L2 (models CTO)	41D5058	**
8	Microprocessor, Pentium 4 3.6GHz, Cedar Mill 800 FSB, 2MB L2 (models CTO H1G)	41D5060	**
8	Microprocessor, Smithfield Pentium 4 2.8.4GHz, 800 FSB, 2x1MB L2 (models CTO A1G)	39J8469	**
8	Microprocessor, Pentium D 2.8 GHz 800 FSB 2MBx2 L2 C1-Value) (models CTO B1G)	TBD	**
8	Microprocessor, Pentium 4 2.8GHz, Presler 800 FSB, 2x2MB L2 (models CTO)	41D5062	**
8	Microprocessor, Pentium D, 3.0GHz, 800MHz FSB, 2MBx2 L2 (models CTO)	41D5052	**
8	Microprocessor, Pentium D 3.2 GHz 800 FSB 2MBx2 L2 C1-Value) (models CTO D1G)	TBD	**
9	Front panel card Asm (all models)	26K1183	**
10	Speaker Asm, Soldered Terminals all (models)	39P5023	**
11	Hard disk drive, 40GB, 7200RPM, Serial ATA (models CTO)	40Y9033	**
11	Hard disk drive, 40GB, 7200RPM, Serial ATA (models CTO)	40Y8760	**
11	Hard disk drive, 80GB, 7200RPM, Serial ATA (models CTO 41G 61G A1G)	40Y9034	**
11	Hard disk drive, 80GB, 7200RPM, Serial ATA (models CTO 41G 61G A1G)	40Y8761	**
11	Hard disk drive, 160GB, 7200RPM, Serial ATA (models CTO F1G H1G B1G)	40Y8762	**
11	Hard disk drive, 160GB, 7200RPM, Serial ATA (models CTO F1G H1G B1G)	40Y9035	**
11	Hard disk drive, 250GB, 7200RPM, Serial ATA (models CTO D1G)	40Y8763	**
11	Hard disk drive, 250GB, 7200RPM, Serial ATA (models CTO D1G)	40Y9036	**
12	Diskette drive, 1.44MB, 3-mode, w/o bezel (models CTO)	40Y9107	*
12	Diskette drive, 1.44MB, 3-mode, w/o bezel (models CTO)	40Y9105	*
12	Diskette drive, 1.44MB, 3-mode, w/o bezel (models CTO)	40Y9113	*
13	CD-ROM drive 48X (models CTO)	40Y8955	*
13	CD-ROM drive 48X (models CTO)	40Y8929	*
13	CD-ROM drive 48X (models CTO)	40Y8953	*

Item #	8343 FRUs	FRU#	CRU
13	CD-ROM drive 48X (models CTO)	40Y8807	*
13	CD-RW drive (48X/32X/48X) (models CTO)	40Y8901	*
13	CD-RW drive (48X/32X/48X) (models CTO)	40Y8937	*
13	DVD-ROM (16X/48X) - black (models CTO 41G 61G A1G)	40Y8931	*
13	DVD-ROM (16X/48X) - black (models CTO 41G 61G A1G)	40Y8933	*
13	DVD-ROM (16X/48X) - black (models CTO 41G 61G A1G)	40Y8935	*
13	DVD-ROM (16X/48X) - black (models CTO 41G 61G A1G)	40Y8957	*
13	CD-RW/DVD-ROM Combo drive (48X/32X/48X/16X Max) (models CTO F1G B1G)	40Y8919	*
13	CD-RW/DVD-ROM Combo drive (48X/32X/48X/16X Max) (models CTO F1G B1G)	40Y8941	*
13	Multiburner Plus (models CTO H1G D1G)	40Y8909	*

The FRUs listed in the following table are not illustrated.

8343 FRUs	FRU#	CRU
Shield, 5.25 EMC (all models)	39M0460	*
Cable, SATA (18-inch RoHs) (all models)	26K1186	*
Hard disk drive mounting bracket (all models)	39M0461	*
Cable, serial (all models)	39K5021	*
EMC shield, diskette drive (all models)	39M0464	*
Cable, diskette drive (RoHs) (all models)	26K1184	*
Fan duct Asm (all models)	39M0470	*
Power switch/LED Asm (all models)	39M0471	**
Device retaining clips (all models)	39M0473	**
Shield, system board (all models)	39M0520	N
Miscellaneous hardware kit (all models)	39M0477	**
Cable, 1394 panel mount (all models)	39M0478	**
RM kit (all models)	39K5046	N
Cable, 2 Drop IDE (all models)	39M0516	*
Hard Disk Drive Tray w/screws (all models)	39M0491	**
Universal Adapter Bracket 5.25 to 3.5-inch (all models)	32P4743	*
Battery, 3.0V (all models)	33F8354	*

8343 Keyboard (Preferred Pro, Fullsize, Stealth black)	FRU#	CRU
US English (models CTO-U CTO-G 41G 61G A1G B1G)	89P8300	*
Arabic (models CTO-G 41G 61G A1G B1G)	89P8301	*
Belgian/French (models CTO-G 41G 61G A1G B1G)	89P8302	*
Belgian/UK (models CTO-G 41G 61G A1G B1G)	89P8303	*
Brazil/Portugese (models CTO-L)	89P8304	*
Bulgarian (models CTO-G 41G 61G A1G B1G)	89P8305	*
Czech (models CTO-G 41G 61G A1G B1G)	89P8307	*



<b>8343 Keyboard (Preferred Pro, Fullsize, Stealth black)</b>	<b>FRU#</b>	<b>CRU</b>
Danish (models CTO-G 41G 61G A1G B1G)	89P8308	*
Dutch (models CTO-G 41G 61G A1G B1G)	89P8309	*
French (models CTO-G 41G 61G A1G B1G)	89P8310	*
French Canadian 445 (models CTO-U)	89P8311	*
French Canadian 58 (models CTO-U)	89P8312	*
German (models CTO-G 41G 61G A1G B1G)	89P8313	*
Greek (models CTO-G 41G 61G A1G B1G)	89P8314	*
Hebrew (models CTO-G 41G 61G A1G B1G)	89P8315	*
Hungarian (models CTO-G 41G 61G A1G B1G)	89P8316	*
Iceland (models CTO-G 41G 61G A1G B1G)	89P8317	*
Italian 142 (models CTO-G 41G 61G A1G B1G)	89P8319	*
LA Spanish (models CTO-L)	89P8322	*
Norwegian (models CTO-G 41G 61G A1G B1G)	89P8323	*
Polish (models CTO-G 41G 61G A1G B1G)	89P8324	*
Portuguese (models CTO-G 41G 61G A1G B1G)	89P8325	*
Romanian (models CTO-G 41G 61G A1G B1G)	89P8326	*
Russian/Cyrillic (models CTO-G 41G 61G A1G B1G)	89P8328	*
Serbian/Cyrillic (models CTO-G 41G 61G A1G B1G)	89P8329	*
Slovak (models CTO-G 41G 61G A1G B1G)	89P8330	*
Spanish (models CTO-G 41G 61G A1G B1G)	89P8331	*
Swedish/Finn (models CTO-G 41G 61G A1G B1G)	89P8332	*
Swiss F/G (models CTO-G 41G 61G A1G B1G)	89P8333	*
Thailand (models CTO-A)	89P8334	*
Turkish 440 (models CTO-G 41G 61G A1G B1G)	89P8335	*
Turkish 179 (models CTO-G 41G 61G A1G B1G)	89P8336	*
UK English (models CTO-G 41G 61G A1G B1G)	89P8337	*
US Euro (models CTO-G 41G 61G A1G B1G)	89P8338	*
Yugoslav/Latin (models CTO-G 41G 61G A1G B1G)	89P8339	*

<b>8343 Keyboards (with fingerprint reader)</b>	<b>FRU#</b>	<b>CRU</b>
US English (models CTO-U CTO-G F1G H1G D1G)	89P9000	*
Arabic (models CTO-G F1G H1G D1G)	89P9001	*
Arabic/French (models CTO-G F1G H1G D1G)	89P9002	*
Belgian/French (models CTO-G F1G H1G D1G)	89P9003	*
Belgian/UK (models CTO-G F1G H1G D1G)	89P9004	*
Brazilian Portuguese (models CTO-L)	89P9005	*
Bulgarian (models CTO-G F1G H1G D1G)	89P9006	*
Czech (models CTO-G F1G H1G D1G)	89P9008	*
Danish (models CTO-G F1G H1G D1G)	89P9009	*
Dutch (models CTO-G F1G H1G D1G)	89P9010	*
French (models CTO-G F1G H1G D1G)	89P9011	*

<b>8343 Keyboards (with fingerprint reader)</b>	<b>FRU#</b>	<b>CRU</b>
French Canadian 445 (models CTO-U)	89P9012	*
French Canadian 58 (models CTO-U)	89P9013	*
German (models CTO-G F1G H1G D1G)	89P9014	*
Greek (models CTO-G F1G H1G D1G)	89P9015	*
Hebrew (models CTO-G F1G H1G D1G)	89P9016	*
Hungarian (models CTO-G F1G H1G D1G)	89P9017	*
Iceland (models CTO-G F1G H1G D1G)	89P9018	*
Italian 141 (models CTO-G F1G H1G D1G)	89P9019	*
LA Spanish (models CTO-L)	89P9022	*
Norwegian (models CTO-G F1G H1G D1G)	89P9023	*
Polish (models CTO-G F1G H1G D1G)	89P9024	*
Portuguese (models CTO-G F1G H1G D1G)	89P9025	*
Romanian (models CTO-G F1G H1G D1G)	89P9026	*
Romanian (models CTO-G F1G H1G D1G)	89P9027	*
Russian/Cyrillic (models CTO-G F1G H1G D1G)	89P9028	*
Serbian/Cyrillic (models CTO-G F1G H1G D1G)	89P9029	*
Slovak (models CTO-G F1G H1G D1G)	89P9030	*
Spanish (models CTO-G F1G H1G D1G)	89P9031	*
Swedish/Finn (models CTO-G F1G H1G D1G)	89P9032	*
Swiss F/G (models CTO-G F1G H1G D1G)	89P9033	*
Thailand (models CTO-A)	89P9034	*
Turkish 440 (models CTO-G F1G H1G D1G)	89P9035	*
Turkish 179 (models CTO-G F1G H1G D1G)	89P9036	*
UK English (models CTO-G F1G H1G D1G)	89P9037	*
US Euro (models CTO-G F1G H1G D1G)	89P9038	*
Yugoslav/Latin (models CTO-G F1G H1G D1G)	89P9039	*

<b>8343 mice</b>	<b>FRU#</b>	<b>CRU</b>
Mouse, Scrollpoint Optical, USB (models CTO)	41A4933	*
Mouse, Scrollpoint Optical, USB Optical Wheelmouse, USB (all models)	41A4935	*
Mouse, PS2 Wheelmouse (models CTO)	41A4917	*

<b>8343 Adapters and miscellaneous FRU</b>	<b>FRU#</b>	<b>CRU</b>
Soft Modem V.90/V.44 (models CTO)	29R9729	*
128MB DDR ATI Radeon x300SE (DMS59 connector) (models CTO H1G)	39J9635	*
128MB DDR ATI RADEON X700 PRO VGA, DVI-I, TV-Out PCI-e BTX (models CTO)	39J6203	*
Nvidia GeForce 6200 P262 w/NV44 (models CTO F1G)	39J6213	*
PCI-E DVI-DConnection Adapter (ADD 2-R) (Full Height) (models CTO B1G D1G)	39J9334	*
1394 Firewire PCI LP (ATX) (models CTO)	41D2781	*
Speakers, Jazz Infinity Active T1 (Black) (models CTO)	89P8589	*

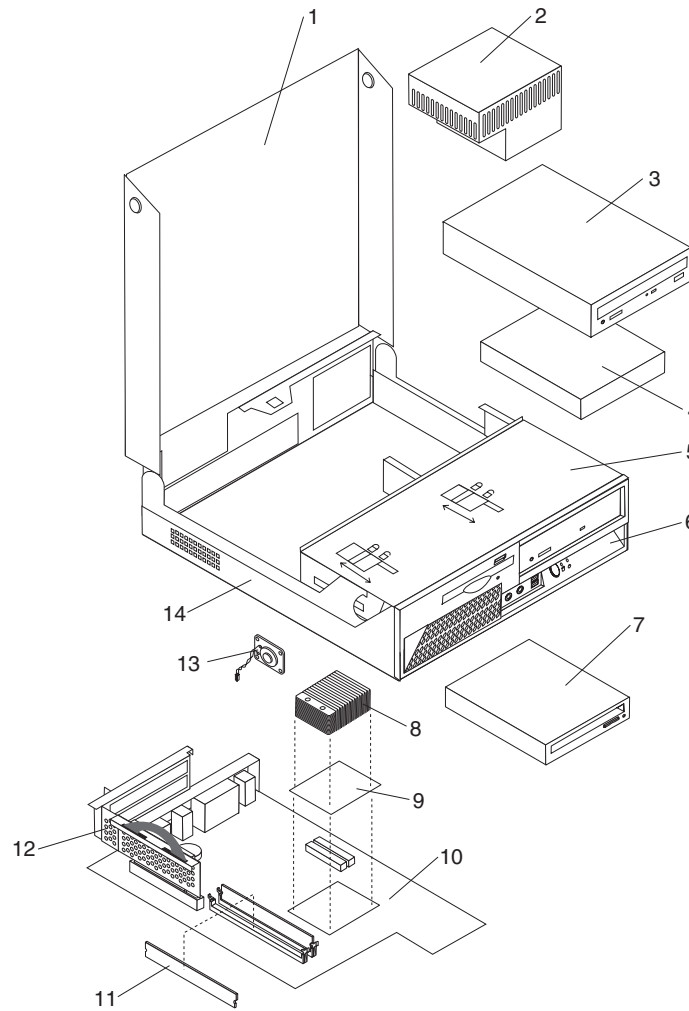
8343 Adapters and miscellaneous FRU	FRU#	CRU
Speaker Power brick - US, Canada, LA (low voltage), Taiwan, Phillipines, Thailand (models CTO-U CTO-L CTO-A)	89P8571	*
Speaker Power brick - UK, Hong Kong (British version), ASEAN (models CTO-A)	89P8573	*
Speaker Brick - Europe and LA (high voltage) (models CTO-G CTO-L)	89P8575	*
Speaker Power brick (newer 2 prong) - China, Thailand, Phillipines (models CTO-A)	89P8581	*
Speaker Power brick - ANZ (models CTO-A)	89P8579	*
Speaker Power brick - Brazil (models CTO-L)	89P8583	*
Speaker Power brick - India, South Africa (models CTO-A CTO-G)	89P8385	*
Speaker Power brick - Argentina (models CTO-L)	41A4901	*
RJ11 connector adapter (Spain, Ireland) (All "G" models)	60H6043	*
RJ11 connector adapter (Austria) (All "G" models)	60H6045	*
RJ11 connector adapter (Belgium) (All "G" models)	60H6046	*
RJ11 connector adapter (Denmark) (All "G" models)	60H6047	*
RJ11 connector adapter (Norway, Finland) (All "G" models)	60H6048	*
RJ11 connector adapter (France) (All "G" models)	60H6049	*
RJ11 connector adapter (Germany) (All "G" models)	60H6050	*
RJ11 connector adapter (UK, NZ, HK) (All "G", "M", "B", "H" models)	60H6051	*
RJ11 connector adapter (Italy) (All "G" models)	60H6052	*
RJ11 connector adapter (Netherlands) (All "G" models)	60H6053	*
RJ11 connector adapter (Sweden) (All "G" models)	60H6054	*
RJ11 connector adapter (Switzerland) (All "G" models)	60H6055	*

8343 Power Cords	FRU#	CRU
Power cord - US (models CTO-U)	39M5080	*
Power cord - Brazil (models CTO-L)	39M5232	*
Power cord - LA High Volt (APU) (models CTO-L)	39M5067	*
Power cord - Australia/New Zealand (models CTO-A)	39M5102	*
Power cord - Hong Kong (models CTO-A)	39M5151	*
Power cord - UK, Ireland, Singapore, Malaysia, Brunei (models CTO-G CTO-A F1G H1G 41G 61G A1G B1G D1G)	39M5150	*
Power cord - Italy (models CTO-G F1G H1G 41G 61G A1G B1G D1G)	39M5164	*
Power cord - G models (models CTO-G F1G H1G 41G 61G A1G B1G D1G)	39M5122	*
Power cord - Denmark (models CTO-G F1G H1G 41G 61G A1G B1G D1G)	39M5129	*
Power cord - Switzerland (models CTO-G F1G H1G 41G 61G A1G B1G D1G)	39M5157	*
Power cord - Israel (models CTO-G F1G H1G 41G 61G A1G B1G D1G)	39M5171	*
Power cord - South Africa (models CTO-G F1G H1G 41G 61G A1G B1G D1G)	39M5143	*
Power cord - India (models CTO-A)	39M5004	*

8343 Windows XP Pro Recovery CDs	FRU#	CRU
US/UK/AP/TH (models F1G H1G 41G 61G A1G B1G D1G)	41T1809	*
RE (models F1G H1G 41G 61G A1G B1G D1G)	41T4985	*

8343 Windows XP Pro Recovery CDs	FRU#	CRU
FR/CF (models F1G H1G 41G 61G A1G B1G D1G)	41T4134	*
GR (models F1G H1G 41G 61G A1G B1G D1G)	41T4135	*
SP/LA (models F1G H1G 41G 61G A1G B1G D1G)	41T4136	*
IT (models F1G H1G 41G 61G A1G B1G D1G)	41T4137	*
SV (models F1G H1G 41G 61G A1G B1G D1G)	41T4139	*
DK (models F1G H1G 41G 61G A1G B1G D1G)	41T4991	*
FI (models F1G H1G 41G 61G A1G B1G D1G)	41T4997	*
NO (models F1G H1G 41G 61G A1G B1G D1G)	41T5003	*
NL (models F1G H1G 41G 61G A1G B1G D1G)	41T5009	*
HE (models F1G H1G 41G 61G A1G B1G D1G)	41T5015	*
PL (models F1G H1G 41G 61G A1G B1G D1G)	41T5021	*
CZ (models F1G H1G 41G 61G A1G B1G D1G)	41T5027	*
AE (models F1G H1G 41G 61G A1G B1G D1G)	41T5033	*
RU (models F1G H1G 41G 61G A1G B1G D1G)	41T5039	*
TR (models F1G H1G 41G 61G A1G B1G D1G)	41T5045	*
HU (models F1G H1G 41G 61G A1G B1G D1G)	41T5051	*
PO (models F1G H1G 41G 61G A1G B1G D1G)	41T5057	*
GK (models F1G H1G 41G 61G A1G B1G D1G)	41T5063	*
SL (models F1G H1G 41G 61G A1G B1G D1G)	41T5069	*
Multilingual 1 (models F1G H1G 41G 61G A1G B1G D1G)	41T4206	*
Multilingual 2 (models F1G H1G 41G 61G A1G B1G D1G)	41T5159	*

# Machine Type 8344



Item #	8344 FRUs	FRU#	CRU
1	Cover (all models)	26K1263	*
2	Power Supply (225 Watt) (models CTO F1G)	24R2584	**
2	Power Supply (225 Watt) China (models CTO-A CTO-L)	24R2587	**
3	CD-ROM Drive 48X (models CTO A2Q 21Q 42Q 62Q G1Q)	40Y8955	*
3	CD-ROM Drive 48X (models CTO A2Q 21Q 42Q 62Q G1Q)	40Y8929	*
3	CD-ROM Drive 48X (models CTO A2Q 21Q 42Q 62Q G1Q)	40Y8953	*
3	CD-ROM Drive 48X (models CTO A2Q 21Q 42Q 62Q G1Q)	40Y8807	*
3	CD-RW Drive (48X/32X/48X) (models CTO)	40Y8901	*
3	CD-RW Drive (48X/32X/48X) (models CTO)	40Y8937	*
3	DVD-ROM 16X/48X - Black (models CTO 41G 61G G2G)	40Y8931	*
3	DVD-ROM 16X/48X - Black (models CTO 41G 61G G2G)	40Y8933	*
3	DVD-ROM 16X/48X - Black (models CTO 41G 61G G2G)	40Y8935	*
3	DVD-ROM 16X/48X - Black (models CTO 41G 61G G2G)	40Y8957	*
3	DVD-ROM/CD-RW Combo Drive (48x/32x/48x/16x) (models CTO F1G B1G)	40Y8919	*

Item #	8344 FRUs	FRU#	CRU
3	DVD-ROM/CD-RW Combo Drive (48x/32x/48x/16x) (models CTO F1G B1G)	40Y8941	*
3	Multi-Burner Plus (models CTO H1G 91G D1G)	40Y8909	*
4	Hard Disk Drive 40GB 7200 rpm Serial ATA (models CTO)	40Y9033	*
4	Hard Disk Drive 40GB 7200 rpm Serial ATA (models CTO)	40Y8760	*
4	Hard Disk Drive 80GB 7200 rpm Serial ATA (models CTO A2Q 21Q 41G 42Q 61G 62Q G1Q G2G)	40Y9034	*
4	Hard Disk Drive 80GB 7200 rpm Serial ATA (models CTO A2Q 21Q 41G 42Q 61G 62Q G1Q G2G)	40Y8761	*
4	Hard Disk Drive 160GB 7200 rpm Serial ATA (models CTO F1G H1G B1G)	40Y8762	*
4	Hard Disk Drive 160GB 7200 rpm Serial ATA (models CTO F1G H1G B1G)	40Y9035	*
4	Hard Disk Drive 250GB 7200 rpm Serial ATA (models CTO 91G D1G)	40Y8763	*
4	Hard Disk Drive 250GB 7200 rpm Serial ATA (models CTO 91G D1G)	40Y9036	*
5	Rotating bay assembly (all models)	03R0285	**
6	Bezel Plastic Kit (all models)	26K1214	*
7	Slim Diskette Drive, 1.44 MB 3 mode (without cable and bezel) (models CTO A2Q 21Q 42Q 62Q G1Q)	40Y9109	*
7	Slim Diskette Drive, 1.44 MB 3 mode (without cable and bezel) (models CTO A2Q 21Q 42Q 62Q G1Q)	40Y9111	*
8	Heat Sink, Side Car w/baffle, Lead Free (all models)	26K1258	**
9	Microprocessor, 2.53GHZ Celeron Prescott P4 (533FSB, 256KB) (models CTO)	39J7004	**
9	Microprocessor, 2.66 GHZ Celeron Prescott P4 (533FSB, 256KB) (models CTO)	39J7005	**
9	Microprocessor, 2.8 GHZ Celeron Prescott P4 (533FSB, 256KB) (models CTO A2Q)	39J7006	**
9	Microprocessor, 2.93 GHZ Celeron Prescott P4 (533FSB, 256KB) (models CTO)	39J7007	**
9	Microprocessor, 3.06 GHZ Celeron Prescott P4 (533FSB, 256KB) (models CTO)	39J7008	**
9	Microprocessor, 3.2 GHZ Celeron Prescott P4 (533FSB, 256KB) (models CTO)	39J9695	**
9	Microprocessor, 3.2 GHZ Celeron Prescott P4 (533FSB, 512KB) (models CTO)	41T4966	**
9	Microprocessor, 3.33 GHZ Celeron Prescott P4 (533FSB, 256KB) (models CTO)	41T1132	**
9	Microprocessor, 3.33 GHZ Celeron Prescott P4 (533FSB, 512KB) (models CTO)	41T4968	**
9	Microprocessor, 2.66 GHZ Prescott P4 (533FSB, 1MB) (models CTO 21Q)	41D0684	**
9	Microprocessor, 2.93 GHZ Prescott P4 (533FSB, 1MB) (models CTO)	41D0686	**
9	Microprocessor, 3.06 GHZ Prescott P4 (533FSB, 1MB) (models CTO)	41D0688	**
9	Microprocessor, 2.8 GHZ Prescott P4 (800FSB, 1MB) (models CTO 41G 42Q)	39J7009	**
9	Microprocessor, 3.0 GHZ Prescott P4 (800FSB, 1MB) (models CTO)	39J7010	**
9	Microprocessor, 3.2 GHZ Prescott P4 (800FSB, 1MB) (models CTO)	39J7011	**
9	Microprocessor, 3.4 GHZ Prescott P4 (800FSB, 1MB) (models CTO)	39J7012	**
9	Microprocessor, 2.8 GHZ Prescott P4 (800FSB, 2MB) (models CTO 61G 62Q)	41X2412	**
9	Microprocessor, 3.0 GHZ Prescott P4 (800FSB, 2MB) (models CTO)	39J7013	**
9	Microprocessor, 3.0 GHZ Cedar Mill P4 (800FSB, 2MB) (models CTO)	41D5042	**
9	Microprocessor, 3.2 GHZ Prescott P4 (800FSB, 2MB) (models CTO)	39J7014	**
9	Microprocessor, 3.2 GHZ Cedar Mill P4 (800FSB, 2MB) (models CTO)	41D5044	**
9	Microprocessor, 3.4 GHZ Prescott P4 (800FSB, 2MB) (models CTO F1G)	39J7015	**
9	Microprocessor, 3.4 GHZ Cedar Mill P4 (800FSB, 2MB) (models CTO)	41D5046	**

Item #	8344 FRUs	FRU#	CRU
9	Microprocessor, 3.6 GHZ Cedar Mill P4 (800FSB, 2MB) (models CTO)	41D5048	**
9	Microprocessor, Pentium D, 2.8 GHZ, 800MHz FSB, 1MBx2 L2 (models CTO H1G G2G)	39J8468	**
9	Microprocessor, Pentium D 2.8 GHz 800 FSB 2MBx2 L2 C1-Value) (models CTO B1G)	TBD	**
9	Microprocessor, Pentium D, 2.8 GHZ, 800MHz FSB, 2MBx2 L2 (models CTO)	41D5050	**
9	Microprocessor, Pentium D, 3.0 GHZ, 800MHz FSB, 2MBx2 L2 (models CTO 91G)	41D5052	**
9	Microprocessor, Pentium D 3.2 GHz 800 FSB 2MBx2 L2 C1-Value) (models CTO D1G)	TBD	**
10	System Board (models CTO F1G H1G 91G A2Q 21Q 41G 42Q 61G 62Q G1Q G2G B1G D1G)	41D2469	**
11	256MB DDR2 SDRAM NP Memory (PC 4200) (models CTO A2Q 21Q 42Q 62Q G1Q)	30R5120	*
11	512MB DDR2 SDRAM NP Memory (PC 4200) (models CTO F1G 41G 61G G2G B1G)	30R5121	*
11	1GB DDR2 SDRAM NP Memory (PC 4200) (models CTO D1G)	30R5122	*
11	2GB DDR2 SDRAM NP Memory (PC 4200) (models CTO)	30R5123	*
12	Riser card assembly (all models)	41A7730	*
13	Speaker/cable assembly (models CTO F1G)	39K5012	*
14	Chassis (all models)	26K1262	**

The FRUs listed in the following table are not illustrated.

8344 FRUs	FRU#	CRU
Hard disk Drive tray (all models)	03R0302	**
Floor stand and vertical deflector (all models)	74P0404	**
System board tray (all models)	26K1213	**
Internal plastic kit (all models)	03R0289	**
Cable, 2 Drop Hard Disk Drive and Optical - ATA 100 (all models)	26K1246	*
Cable, Optical (1 Drop) ATA 100 (all models)	26K1244	*
Cable, SATA Device (all models)	39K5026	*
Cable, pwr/LED (all models)	26K1242	*
Cable, Diskette Drive (all models)	26K1248	*
Fan assembly (all models)	26K1253	*
Battery (all models)	33F8354	*
Universal Adapter Bracket 5.25 to 3.5-inch (all models)	32P4743	*
Retention module, tool less heat sink (all models)	26K1281	*

8344 Keyboards (Preferred Pro Fullsize)	FRU#	CRU
US English (models CTO-U CTO-G A2Q 21Q 41G 42Q 61G 62Q G1Q G2G B1G)	89P8300	*
Arabic (models CTO-G 41G 61G G2G B1G)	89P8301	*
Belgian/French (models CTO-G 41G 61G G2G B1G)	89P8302	*
Belgian/UK (models CTO-G 41G 61G G2G B1G)	89P8303	*

8344 Keyboards (Preferred Pro Fullsize)	FRU#	CRU
Brazil/Portuguese (models CTO-L)	89P8304	*
Bulgarian (models CTO-G 41G 61G G2G B1G)	89P8305	*
Czech (models CTO-G 41G 61G G2G B1G)	89P8307	*
Danish (models CTO-G 41G 61G G2G B1G)	89P8308	*
Dutch (models CTO-G 41G 61G G2G B1G)	89P8309	*
French (models CTO-G 41G 61G G2G B1G)	89P8310	*
French Canadian 445 (models CTO-U)	89P8311	*
French Canadian 58 (models CTO-U)	89P8312	*
German (models CTO-G 41G 61G G2G B1G)	89P8313	*
Greek (models CTO-G 41G 61G G2G B1G)	89P8314	*
Hebrew (models CTO-G 41G 61G G2G B1G)	89P8315	*
Hungarian (models CTO-G 41G 61G G2G B1G)	89P8316	*
Iceland (models CTO-G 41G 61G G2G B1G)	89P8317	*
Italian (models CTO-G 41G 61G G2G B1G)	89P8319	*
LA Spanish (models CTO-L)	89P8322	*
Norwegian (models CTO-G 41G 61G G2G B1G)	89P8323	*
Polish (models CTO-G 41G 61G G2G B1G)	89P8324	*
Portuguese (models CTO-G 41G 61G G2G B1G)	89P8325	*
Romanian (models CTO-G 41G 61G G2G B1G)	89P8326	*
Russian (models CTO-G 41G 61G G2G B1G)	89P8327	*
Russian/Cyrillic (models CTO-G 41G 61G G2G B1G)	89P8328	*
Serbian/Cyrillic (models CTO-G 41G 61G G2G B1G)	89P8329	*
Slovak (models CTO-G 41G 61G G2G B1G)	89P8330	*
Spanish (models CTO-G 41G 61G G2G B1G)	89P8331	*
Swedish/Finn (models CTO-G 41G 61G G2G B1G)	89P8332	*
Swiss F/G (models CTO-G 41G 61G G2G B1G)	89P8333	*
Thailand (models CTO-A)	89P8334	*
Turkish 179 (models CTO-G 41G 61G G2G B1G)	89P8336	*
UK English (models CTO-G 41G 61G G2G B1G)	89P8337	*
US Euro (models CTO-G 41G 61G G2G B1G)	89P8338	*
Yugoslav/Latin (models CTO-G 41G 61G G2G B1G)	89P8339	*

8344 Keyboards (with fingerprint reader)	FRU#	CRU
US English (models CTO-U CTO-G F1G H1G 91G D1G)	89P9000	*
Arabic (models CTO-G F1G H1G 91G D1G)	89P9001	*
Arabic/French (models CTO-G F1G H1G 91G D1G)	89P9002	*
Belgian/French (models CTO-G F1G H1G 91G D1G)	89P9003	*
Belgian/UK (models CTO-G F1G H1G 91G D1G)	89P9004	*
Brazilian Portuguese (models CTO-L)	89P9005	*
Bulgarian (models CTO-G F1G H1G 91G D1G)	89P9006	*
Chinese/US (models CTO-G F1G H1G 91G D1G)	89P9007	*



<b>8344 Keyboards (with fingerprint reader)</b>	<b>FRU#</b>	<b>CRU</b>
Czech (models CTO-G F1G H1G 91G D1G)	89P9008	*
Danish (models CTO-G F1G H1G 91G D1G)	89P9009	*
Dutch (models CTO-G F1G H1G 91G D1G)	89P9010	*
French (models CTO-G F1G H1G 91G D1G)	89P9011	*
French Canadian 445 (models CTO-U)	89P9012	*
French Canadian 58 (models CTO-U)	89P9013	*
German (models CTO-G F1G H1G 91G D1G)	89P9014	*
Greek (models CTO-G F1G H1G 91G D1G)	89P9015	*
Hebrew (models CTO-G F1G H1G 91G D1G)	89P9016	*
Hungarian (models CTO-G F1G H1G 91G D1G)	89P9017	*
Iceland (models CTO-G F1G H1G 91G D1G)	89P9018	*
Italian 141 (models CTO-G F1G H1G 91G D1G)	89P9019	*
LA Spanish (models CTO-L)	89P9022	*
Norwegian (models CTO-G F1G H1G 91G D1G)	89P9023	*
Polish (models CTO-G F1G H1G 91G D1G)	89P9024	*
Portuguese (models CTO-G F1G H1G 91G D1G)	89P9025	*
Romanian (models CTO-G F1G H1G 91G D1G)	89P9026	*
Romanian (models CTO-G F1G H1G 91G D1G)	89P9027	*
Russian/Cyrillic (models CTO-G F1G H1G 91G D1G)	89P9028	*
Serbian/Cyrillic (models CTO-G F1G H1G 91G D1G)	89P9029	*
Slovak (models CTO-G F1G H1G 91G D1G)	89P9030	*
Spanish (models CTO-G F1G H1G 91G D1G)	89P9031	*
Swedish/Finn (models CTO-G F1G H1G 91G D1G)	89P9032	*
Swiss F/G (models CTO-G F1G H1G 91G D1G)	89P9033	*
Thailand (models CTO-A)	89P9034	*
Turkish 440 (models CTO-G F1G H1G 91G D1G)	89P9035	*
Turkish 179 (models CTO-G F1G H1G 91G D1G)	89P9036	*
UK English (models CTO-G F1G H1G 91G D1G)	89P9037	*
US Euro (models CTO-G F1G H1G 91G D1G)	89P9038	*
Yugoslav/Latin (models CTO-G F1G H1G 91G D1G)	89P9039	*

<b>8344 mice</b>	<b>FRU#</b>	<b>CRU</b>
Mouse, Scrollpoint Optical, USB (models CTO)	41A4933	*
Mouse, Optical Wheelmouse, USB (all models)	41A4935	*
Mouse, PS2 Wheelmouse, black (models CTO)	41A4917	*

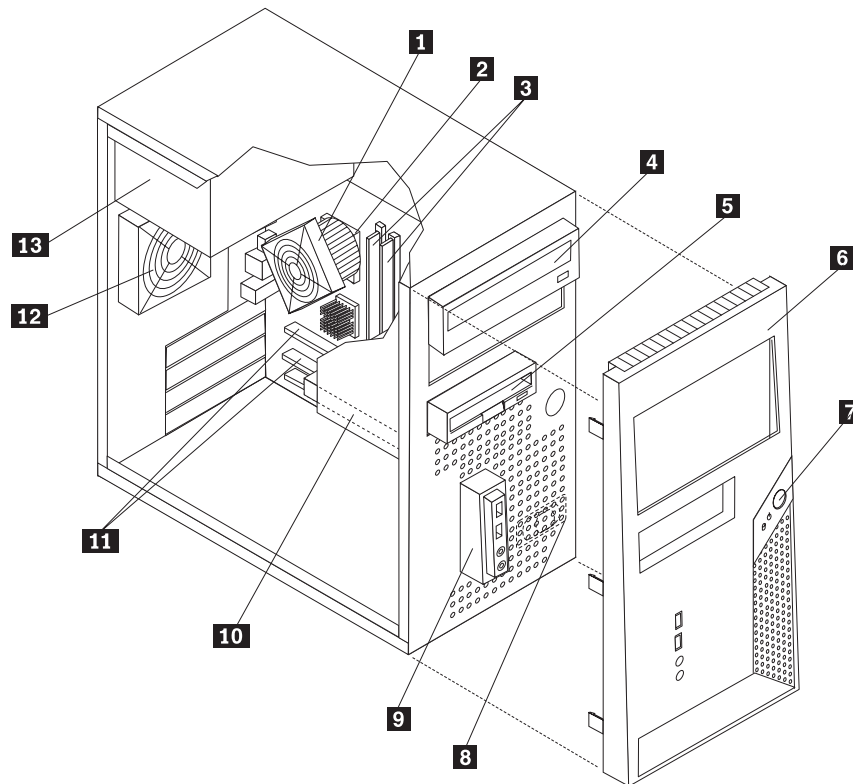
<b>8344 Adapters and miscellaneous FRU</b>	<b>FRU#</b>	<b>CRU</b>
Soft Modem V.90/V.44 (models CTO)	29R9729	*
128MB DDR ATI Radeon x300SE (DMS59 connector) (models CTO)	39J9635	*
128MB DDR ATI RADEON X700 PRO VGA, DVI-I, TV-Out PCI-e BTX (models CTO)	39J6203	*
Nvidia GeForce 6200 P262 w/NV44 (models CTO)	39J6213	*

8344 Adapters and miscellaneous FRU	FRU#	CRU
PCI-E DVI-D Connection Adapter (ADD 2-R) (Full Height) (models CTO F1G H1G 91G G2G B1G)	39J9334	*
Speakers, Jazz Infinity Active T1 (Black) (models CTO)	89P8589	*
Speaker Power brick - US, Canada, LA (low voltage), Taiwan, Phillipines, Thailand (models CTO-U CTO-L CTO-A)	89P8571	*
Speaker Power brick - UK, Hong Kong (British version), ASEAN (models CTO-A)	89P8573	*
Speaker Brick - Europe and LA (high voltage) (models CTO-G CTO-L)	89P8575	*
Speaker Power brick (newer 2 prong) - China, Thailand, Phillipines (models CTO-A)	89P8581	*
Speaker Power brick - ANZ (models CTO-A)	89P8579	*
Speaker Power brick - Brazil (models CTO-L)	89P8583	*
Speaker Power brick - India, South Africa (models CTO-A CTO-G)	89P8585	*
Speaker Power brick - Argentina (models CTO-L)	41A4901	*
RJ11 connector adapter (Spain, Ireland) (All "G" models)	60H6043	*
RJ11 connector adapter (Austria) (All "G" models)	60H6045	*
RJ11 connector adapter (Belgium) (All "G" models)	60H6046	*
RJ11 connector adapter (Denmark) (All "G" models)	60H6047	*
RJ11 connector adapter (Norway, Finland) (All "G" models)	60H6048	*
RJ11 connector adapter (France) (All "G" models)	60H6049	*
RJ11 connector adapter (Germany) (All "G" models)	60H6050	*
RJ11 connector adapter (UK, NZ, HK) (All "G", "M", "B", "H" models)	60H6051	*
RJ11 connector adapter (Italy) (All "G" models)	60H6052	*
RJ11 connector adapter (Netherlands) (All "G" models)	60H6053	*
RJ11 connector adapter (Sweden) (All "G" models)	60H6054	*
RJ11 connector adapter (Switzerland) (All "G" models)	60H6055	*

8344 Power Cords	FRU#	CRU
Power cord - US (models CTO-U)	39M5080	*
Power cord - Brazil (models CTO-L)	39M5232	*
Power cord - LA High Volt (APU) (models CTO-L)	39M5067	*
Power cord - Australia/New Zealand (models CTO-A)	39M5102	*
Power cord - Hong Kong (models CTO-A)	39M5151	*
Power cord - UK, Ireland, Singapore, Malaysia, Brunei (models CTO-G CTO-A F1G H1G 91G 41G 61G G2G B1G D1G)	39M5150	*
Power cord - Italy (models CTO-G CTO-A F1G H1G 91G 41G 61G G2G B1G D1G)	39M5164	*
Power cord - G models (models CTO-G CTO-A F1G H1G 91G 41G 61G G2G B1G D1G)	39M5122	*
Power cord - Denmark (models CTO-G CTO-A F1G H1G 91G 41G 61G G2G B1G D1G)	39M5129	*
Power cord - Switzerland (models CTO-G CTO-A F1G H1G 91G 41G 61G G2G B1G D1G)	39M5157	*
Power cord - Israel (models CTO-G CTO-A F1G H1G 91G 41G 61G G2G B1G D1G)	39M5171	*
Power cord - South Africa (models CTO-G CTO-A F1G H1G 91G 41G 61G G2G B1G D1G)	39M5143	*
Power cord - India (models CTO-A A2Q 21Q 42Q 62Q G1Q)	39M5004	*

8344 Windows XP Pro Recovery CDs	FRU#	CRU
US/UK/AP/TH (models F1G H1G 91G A2Q 21Q 41G 42Q 61G 62Q G1Q G2G B1G D1G)	41T1809	*
RE (models F1G H1G 91G 41G 61G G2G B1G D1G)	41T4985	*
FR/CF (models F1G H1G 91G 41G 61G G2G B1G D1G)	41T4134	*
GR (models F1G H1G 91G 41G 61G G2G B1G D1G)	41T4135	*
SP/LA (models F1G H1G 91G 41G 61G G2G B1G D1G)	41T4136	*
IT (models F1G H1G 91G 41G 61G G2G B1G D1G)	41T4137	*
SV (models F1G H1G 91G 41G 61G G2G B1G D1G)	41T4139	*
DK (models F1G H1G 91G 41G 61G G2G B1G D1G)	41T4991	*
FI (models F1G H1G 91G 41G 61G G2G B1G D1G)	41T4997	*
NO (models F1G H1G 91G 41G 61G G2G B1G D1G)	41T5003	*
NL (models F1G H1G 91G 41G 61G G2G B1G D1G)	41T5009	*
HE (models F1G H1G 91G 41G 61G G2G B1G D1G)	41T5015	*
PL (models F1G H1G 91G 41G 61G G2G B1G D1G)	41T5021	*
CZ (models F1G H1G 91G 41G 61G G2G B1G D1G)	41T5027	*
AE (models F1G H1G 91G 41G 61G G2G B1G D1G)	41T5033	*
RU (models F1G H1G 91G 41G 61G G2G B1G D1G)	41T5039	*
TR (models F1G H1G 91G 41G 61G G2G B1G D1G)	41T5045	*
HU (models F1G H1G 91G 41G 61G G2G B1G D1G)	41T5051	*
PO (models F1G H1G 91G 41G 61G G2G B1G D1G)	41T5057	*
GK (models F1G H1G 91G 41G 61G G2G B1G D1G)	41T5063	*
SL (models F1G H1G 91G 41G 61G G2G B1G D1G)	41T5069	*
Multilingual 1 (models F1G H1G 91G 41G 61G G2G B1G D1G)	41T4206	*
Multilingual 2 (models F1G H1G 91G 41G 61G G2G B1G D1G)	41T5159	*

## Machine Type 8380



Item #	8380 FRUs	FRU#	CRU
1	Intel-Circular Radial Fin Fansink for 84W CPUs (all models)	41D3552	N
2	Microprocessor 2.53GHZ Celeron Prescott P4 (533 FSB, 256KB) (models CTO)	41T1693	N
2	Microprocessor 2.66GHZ Celeron Prescott P4 (533 FSB, 256KB) (models CTO A2S A2P A2L A2YA3C)	41T1694	N
2	Microprocessor 2.8GHZ Celeron Prescott P4 (533 FSB, 256KB) (models CTO A1S A1P A1L A1Y A4C)	41T1695	N
2	Microprocessor 2.93GHZ Celeron Prescott P4 (533 FSB, 256KB) (models CTO B1S B1P B1L B1Y)	41T1696	N
2	Microprocessor 3.06GHZ Celeron Prescott P4 (533 FSB, 256KB) (models CTO B2S B2Y B3S B3Y)	41T1697	N
2	Microprocessor 3.20GHZ Celeron Prescott P4 (533 FSB, 256KB) (models CTO)	41T1698	N
2	Microprocessor 2.66GHZ Prescott P4 (533 FSB, 1MB) (models CTO)	41T1706	N
2	Microprocessor 2.93GHZ Prescott P4 (533 FSB, 1MB) (models CTO 21S 21P 21L 21Y)	41T1707	N
2	Microprocessor 3.06GHZ Prescott P4 (533 FSB, 1MB) (models CTO 22S 22P 22L 22Y)	41T1708	N
2	Microprocessor 2.8GHZ Prescott P4 (800 FSB, 1MB) (models CTO 41S 41P 41L 41Y 42S 42P 42L 42Y 43S 43P 43L 43Y 44U 44F 45G 46C)	41T1700	N
2	Microprocessor, Pentium 4 3.06GHz 533MHz FSB 1MB L2 (models CTO 47S 47P 47Y 48S 48P 48Y 49S 49P 49Y 4AU 48C)	41T4104	N
2	Microprocessor 3.0GHZ Prescott P4 (800 FSB, 1MB) (models CTO 51S 51P 51Y 52S 52P 52Y 53S 53P 53Y 54C)	41T1701	N

Item #	8380 FRUs	FRU#	CRU
2	Microprocessor 3.2GHZ Prescott P4 (800 FSB, 1MB) (models CTO J1S J1P J1Y J2S J2P J2Y J3S J3P J3Y J4U)	41T1702	N
2	Microprocessor 3.4GHZ Prescott P4 (800 FSB, 1MB) (models CTO)	41T1703	N
2	Microprocessor 2.8GHZ Prescott P4 (800 FSB, 2MB) (models CTO 61G)	41X2412	N
2	Microprocessor 3.0GHZ Prescott P4 (800 FSB, 2MB) (models CTO D1U D1F D2S D2P D2L D2Y D3S D3P D3L D3Y D6C)	41T1709	N
2	Microprocessor 3.0GHZ Cedar Mill P4 (800 FSB, 2MB) (models CTO)	41T1712	N
2	Microprocessor 3.2GHZ Prescott P4 (800 FSB, 2MB) (models CTO E1S E1P E1L E1Y E2S E2P E2L E2Y E3S E3P E3L E3Y E4U E4F E5C)	41T1710	N
2	Microprocessor 3.2GHZ Cedar Mill P4 (800 FSB, 2MB) (models CTO)	41T1713	N
2	Microprocessor 3.4GHZ Prescott P4 (800 FSB, 2MB) (models CTO F1U F1F F2G F3S F3P F3L F3Y F4S F4P F4L F4Y F5S F5P F5L F5Y F6C)	41T1711	N
2	Microprocessor 3.4GHZ Cedar Mill P4 (800 FSB, 2MB) (models CTO)	41T1714	N
2	Microprocessor 3.6GHZ Cedar Mill P4 (800 FSB, 2MB) (models CTO H1G H2U)	41D1715	N
2	Microprocessor 2.8GHZ Smithfield P4 (800 FSB, 2x1MB) (models CTO G1S G1P G1L G1Y G2S G2P G2L G2Y G3S G3P G3L G3Y G4G G5U G5F G6C G7S G7P G7Y G8S G8P G8Y G9G)	41T1704	N
2	Microprocessor, Pentium D 2.8 GHz 800 FSB 2MBx2 L2 C1-Value) (models CTO GAG)	TBD	**
2	Microprocessor 2.8GHZ Presler P4 (800 FSB, 2x2MB) (models CTO 81S 81P 81L 81Y 82S 82P 82L 82Y 83S 83P 83L 83Y 84G 85U)	41T1716	N
2	Microprocessor, Pentium D, 3.0 GHz, 800MHz FSB, 2MBx2 L2 (models CTO 89S 89P 89Y 8AS 8AP 8AY 8BS 8BP 8BY J2C)	TBD	**
2	Microprocessor 3.0GHZ Presler P4 (800 FSB, 2x2MB) (models CTO 91U 92G)	41D5052	N
2	Microprocessor, Pentium D 3.2 GHz 800 FSB 2MBx2 L2 C1-Value) (models CTO 93S 93P 93Y 94S 94P 94Y 95S 95P 95Y 96G 97U 31C)	TBD	**
3	Memory module, 256MB DDR2 SDRAM NP Memory PC 4200) (models CTO A1S A1P A1L A1Y B1S B1P B1L B1Y 21S 21P 21L 21Y 22S 22P 22L 22Y D2S D2P D2L D2Y D3S D3P D3L D3Y E1S E1P E1L E1Y E2S E2P E2L E2Y E3S E3P E3L E3Y F3S F3P F3L F3Y F4S F4P F4L F4Y F5S F5P F5L F5Y G1S G1P G1L G1Y G2S G2P G2L G2Y A2S A2P A2L A2Y 41S 41P 41L 41Y 42S 42P 42L 42Y 43S 43P 43L 43Y 81S 81P 81L 81Y 82S 82P 82L 82Y A3C A4C 46C D6C E5C G6C B2S B2Y 47S 47P 47Y 51S 51P 51Y J1S J1P J1Y 48C 31C J2C)	30R5120	**
3	Memory module, 512MB DDR2 SDRAM NP Memory PC 4200) (models CTO D1U D1F E4U E4F F1U F1F F2G G3S G3P G3L G3Y G4G 44U 44F H2U 83S 83P 83L 83Y 84G 85U 91U 45G 61G G5U G5F F6C B3S B3Y 48S 48P 48Y 49S 49P 49Y 4AU 52S 52P 52Y 53S 53P 53Y J2S J2P J2Y J3S J3P J3Y J4U G7S G7P G7Y G8S G8P G8Y G9G GAG 93S 93P 93Y 94S 94P 94Y 97U 54C 89S 89P 89Y 8AS 8AP 8AY)	30R5121	**
3	Memory module, 1GB DDR2 SDRAM NP Memory PC 4200) (models CTO H1G 92G 95Y 96G 8BS 8BP 8BY)	30R5122	**
3	Memory module, 2GB DDR2 SDRAM NP Memory PC 4200) (models CTO)	30R5123	**
3	Memory module, 256MB DDR2 SDRAM NP Memory PC 5300) (models CTO)	30R5124	**
3	Memory module, 512MB DDR2 SDRAM NP Memory PC 5300) (models CTO)	30R5125	**
3	Memory module, 1GB DDR2 SDRAM NP Memory PC 5300) (models CTO)	30R5126	**

Item #	8380 FRUs	FRU#	CRU
4	CD-ROM drive 48X (models CTO A1S A1P A1L A1Y B1S B1P B1L B1Y 21S 21P 21L 21Y 22S 22P 22L 22Y D1U D1F D2S D2P D2L D2Y E1S E1P E1L E1Y E4U E4F F1U F1F F3S F3P F3L F3Y A2S A2P A2L A2Y 41S 41P 41L 41Y 42S 42P 42L 42Y 44U 44F H2U 85U 91U G5U G5F A3C A4C 46C E5C B2S B2Y 47S 47P 47Y 48S 48P 48Y 4AU 51S 51P 51Y 52S 52P 52Y J1S J1P J1Y J2S J2P J2Y J4U G7S G7P G7Y 93S 93P 93Y 97U 48C 89S 89P 89Y)	40Y8955	*
4	CD-ROM drive 48X (models CTO A1S A1P A1L A1Y B1S B1P B1L B1Y 21S 21P 21L 21Y 22S 22P 22L 22Y D1U D1F D2S D2P D2L D2Y E1S E1P E1L E1Y E4U E4F F1U F1F F3S F3P F3L F3Y A2S A2P A2L A2Y 41S 41P 41L 41Y 42S 42P 42L 42Y 44U 44F H2U 85U 91U G5U G5F A3C A4C 46C E5C B2S B2Y 47S 47P 47Y 48S 48P 48Y 4AU 51S 51P 51Y 52S 52P 52Y J1S J1P J1Y J2S J2P J2Y J4U G7S G7P G7Y 93S 93P 93Y 97U 48C 89S 89P 89Y)	40Y8929	**
4	CD-ROM drive 48X (models CTO A1S A1P A1L A1Y B1S B1P B1L B1Y 21S 21P 21L 21Y 22S 22P 22L 22Y D1U D1F D2S D2P D2L D2Y E1S E1P E1L E1Y E4U E4F F1U F1F F3S F3P F3L F3Y A2S A2P A2L A2Y 41S 41P 41L 41Y 42S 42P 42L 42Y 44U 44F H2U 85U 91U G5U G5F A3C A4C 46C E5C B2S B2Y 47S 47P 47Y 48S 48P 48Y 4AU 51S 51P 51Y 52S 52P 52Y J1S J1P J1Y J2S J2P J2Y J4U G7S G7P G7Y 93S 93P 93Y 97U 48C 89S 89P 89Y)	40Y8953	**
4	CD-ROM drive 48X (models CTO A1S A1P A1L A1Y B1S B1P B1L B1Y 21S 21P 21L 21Y 22S 22P 22L 22Y D1U D1F D2S D2P D2L D2Y E1S E1P E1L E1Y E4U E4F F1U F1F F3S F3P F3L F3Y A2S A2P A2L A2Y 41S 41P 41L 41Y 42S 42P 42L 42Y 44U 44F H2U 85U 91U G5U G5F A3C A4C 46C E5C B2S B2Y 47S 47P 47Y 48S 48P 48Y 4AU 51S 51P 51Y 52S 52P 52Y J1S J1P J1Y J2S J2P J2Y J4U G7S G7P G7Y 93S 93P 93Y 97U 48C 89S 89P 89Y)	40Y8807	**
4	CD-RW drive (48/32X/48X) (models CTO D3S D3P D3L D3Y E2S E2P E2L E2Y E3S E3P E3L E3Y F4S F4P F4L F4Y F5S F5P F5L F5Y G1S G1P G1L G1Y G2S G2P G2L G2Y 43S 43P 43L 43Y 81S 81P 81L 81Y 82S 82P 82L 82Y)	40Y8901	*
4	CD-RW drive (48/32X/48X) (models CTO D3S D3P D3L D3Y E2S E2P E2L E2Y E3S E3P E3L E3Y F4S F4P F4L F4Y F5S F5P F5L F5Y G1S G1P G1L G1Y G2S G2P G2L G2Y 43S 43P 43L 43Y 81S 81P 81L 81Y 82S 82P 82L 82Y)	40Y8937	*
4	DVD-ROM drive (16X/48X) - black (models CTO 45G 61G D6C F6C G6C G9G 54C 31C J2C)	40Y8931	*
4	DVD-ROM drive (16X/48X) - black (models CTO 45G 61G D6C F6C G6C G9G 54C 31C J2C)	40Y8933	*
4	DVD-ROM drive (16X/48X) - black (models CTO 45G 61G D6C F6C G6C G9G 54C 31C J2C)	40Y8935	*
4	DVD-ROM drive (16X/48X) - black (models CTO 45G 61G D6C F6C G6C G9G 54C 31C J2C)	40Y8957	*
4	CD-RW/DVD-ROM Combo drive (48X/32X/48X/16X Max) (models CTO G3S G3P G3L G3Y 83S 83P 83L 83Y B3S B3Y 49S 49P 49Y 53S 53P 53Y J3S J3P J3Y G8S G8P G8Y GAG 94S 94P 94Y 95S 95P 95Y 8AS 8AP 8AY 8BS 8BP 8BY)	40Y8919	*
4	CD-RW/DVD-ROM Combo drive (48X/32X/48X/16X Max) (models CTO G3S G3P G3L G3Y 83S 83P 83L 83Y B3S B3Y 49S 49P 49Y 53S 53P 53Y J3S J3P J3Y G8S G8P G8Y GAG 94S 94P 94Y 95S 95P 95Y 8AS 8AP 8AY 8BS 8BP 8BY)	40Y8941	*
4	Multiburner Plus (models CTO F2G G4G H1G 84G 92G 96G)	40Y8909	*
5	Diskette drive, 3.5", 1.44MB, 3Mode,(wo/bezel) (models CTO A1S A1P A1L A1Y B1S B1P B1L B1Y 21S 21P 21L 21Y 22S 22P 22L 22Y D2S D2P D2L D2Y E1S E1P E1L E1Y F3S F3P F3L F3Y A2S A2P A2L A2Y 41S 41P 41L 41Y 42S 42P 42L 42Y A3C A4C 46C D6C E5C F6C G6C B2S B2Y 47S 47P 47Y 48S 48P 48Y 49S 49P 49Y 51S 51P 51Y 52S 52P 52Y 53S 53P 53Y J1S J1P J1Y J2S J2P J2Y J3S J3P J3Y G7S G7P G7Y G8S G8P G8Y 93S 93P 93Y 94S 94P 94Y 95S 95P 95Y 48C 54C 31C 89S 89P 89Y 8AS 8AP 8AY 8BS 8BP 8BY J2C)	40Y9107	*

Item #	8380 FRUs	FRU#	CRU
5	Diskette drive, 3,5", 1.44MB, 3Mode,(wo/bezel) (models CTO A1S A1P A1L A1Y B1S B1P B1L B1Y 21S 21P 21L 21Y 22S 22P 22L 22Y D2S D2P D2L D2Y E1S E1P E1L E1Y F3S F3P F3L F3Y A2S A2P A2L A2Y 41S 41P 41L 41Y 42S 42P 42L 42Y A3C A4C 46C D6C E5C F6C G6C B2S B2Y 47S 47P 47Y 48S 48P 48Y 49S 49P 49Y 51S 51P 51Y 52S 52P 52Y 53S 53P 53Y J1S J1P J1Y J2S J2P J2Y J3S J3P J3Y G7S G7P G7Y G8S G8P G8Y 93S 93P 93Y 94S 94P 94Y 95S 95P 95Y 48C 54C 31C 89S 89P 89Y 8AS 8AP 8AY 8BS 8BP 8BY J2C)	40Y9105	*
5	Diskette drive, 3,5", 1.44MB, 3Mode,(wo/bezel) (models CTO A1S A1P A1L A1Y B1S B1P B1L B1Y 21S 21P 21L 21Y 22S 22P 22L 22Y D2S D2P D2L D2Y E1S E1P E1L E1Y F3S F3P F3L F3Y A2S A2P A2L A2Y 41S 41P 41L 41Y 42S 42P 42L 42Y A3C A4C 46C D6C E5C F6C G6C B2S B2Y 47S 47P 47Y 48S 48P 48Y 49S 49P 49Y 51S 51P 51Y 52S 52P 52Y 53S 53P 53Y J1S J1P J1Y J2S J2P J2Y J3S J3P J3Y G7S G7P G7Y G8S G8P G8Y 93S 93P 93Y 94S 94P 94Y 95S 95P 95Y 48C 54C 31C 89S 89P 89Y 8AS 8AP 8AY 8BS 8BP 8BY J2C)	40Y9113	*
6	Bezel assembly (all models)	41A7185	**
7	Power switch/LED assembly (RoHs) (all models)	41N5284	**
8	Speaker assembly, Soldered terminals ( all models)	39P5023	**
9	Front audio/USB assembly (all models)	41A7187	**
10	Hard disk drive, 40GB (7200RPM), Serial ATA (models CTO)	40Y9033	*
10	Hard disk drive, 40GB (7200RPM), Serial ATA (models CTO)	40Y8760	*
10	Hard disk drive, 80GB (7200RPM), Serial ATA (models 93S 93P 93Y 94S 94P 94Y 95S 95P 95Y 97U 48C 54C 89S 89P 89Y 8AS 8AP 8AY 8BS 8BP 8BY CTO A1S A1P A1L A1Y B1S B1P B1L B1Y 21S 21P 21L 21Y 22S 22P 22L 22Y D1U D1F D2S D2P D2L D2Y D3S D3P D3L D3Y E1S E1P E1L E1Y E2S E2P E2L E2Y E4U E4F F1U F1F F3S F3P F3L F3Y G1S G1P G1L G1Y A2S A2P A2L A2Y 41S 41P 41L 41Y 42S 42P 42L 42Y 43S 43P 43L 43Y 44U 44F H2U 81S 81P 81L 81Y 85U 91U 45G 61G G5U G5F A3C A4C 46C D6C E5C F6C B2S B2Y B3S B3Y 47S 47P 47Y 48S 48P 48Y 49S 49P 49Y 4AU 51S 51P 51Y 52S 52P 52Y 53S 53P 53Y J1S J1P J1Y J2S J2P J2Y J3S J3P J3Y J4U G7S G7P G7Y G8S G8P G8Y G9G)	40Y9034	*
10	Hard disk drive, 80GB (7200RPM), Serial ATA (models 93S 93P 93Y 94S 94P 94Y 95S 95P 95Y 97U 48C 54C 89S 89P 89Y 8AS 8AP 8AY 8BS 8BP 8BY CTO A1S A1P A1L A1Y B1S B1P B1L B1Y 21S 21P 21L 21Y 22S 22P 22L 22Y D1U D1F D2S D2P D2L D2Y D3S D3P D3L D3Y E1S E1P E1L E1Y E2S E2P E2L E2Y E4U E4F F1U F1F F3S F3P F3L F3Y G1S G1P G1L G1Y A2S A2P A2L A2Y 41S 41P 41L 41Y 42S 42P 42L 42Y 43S 43P 43L 43Y 44U 44F H2U 81S 81P 81L 81Y 85U 91U 45G 61G G5U G5F A3C A4C 46C D6C E5C F6C B2S B2Y B3S B3Y 47S 47P 47Y 48S 48P 48Y 49S 49P 49Y 4AU 51S 51P 51Y 52S 52P 52Y 53S 53P 53Y J1S J1P J1Y J2S J2P J2Y J3S J3P J3Y J4U G7S G7P G7Y G8S G8P G8Y G9G)	40Y8761	*
10	Hard disk drive, 160GB (7200RPM), Serial ATA (models CTO E3S E3P E3L E3Y F2G F4S F4P F4L F4Y G2S G2P G2L G2Y G4G H1G 82S 82P 82L 82Y 84G G6C GAG 31C J2C)	40Y8762	*
10	Hard disk drive, 160GB (7200RPM), Serial ATA (models CTO E3S E3P E3L E3Y F2G F4S F4P F4L F4Y G2S G2P G2L G2Y G4G H1G 82S 82P 82L 82Y 84G G6C GAG 31C J2C)	40Y9035	*
10	Hard disk drive, 250GB (7200RPM), Serial ATA (models CTO F5S F5P F5L F5Y G3S G3P G3L G3Y 83S 83P 83L 83Y 92G 96G)	40Y8763	*
10	Hard disk drive, 250GB (7200RPM), Serial ATA (models CTO F5S F5P F5L F5Y G3S G3P G3L G3Y 83S 83P 83L 83Y 92G 96G)	40Y9036	*

Item #	8380 FRUs	FRU#	CRU
11	System board, 945GZ (models 47S 47P 47Y 48S 48P 48Y 49S 49P 49Y 4AU 51S 51P 51Y 52S 52P 52Y 53S 53P 53Y J1S J1P J1Y J2S J2P J2Y J3S J3P J3Y J4U G7S G7P G7Y G8S G8P G8Y G9G GAG 93S 93P 93Y 94S 94P 94Y 95S 95P 95Y 96G 97U 48C 54C 31C 89S 89P 89Y 8AS 8AP 8AY 8BS 8BP 8BY J2C CTO A1S A1P A1L A1Y B1S B1P B1L B1Y 21S 21P 21L 21Y 22S 22P 22L 22Y D1U D1F D2S D2P D2L D2Y D3S D3P D3L D3Y E1S E1P E1L E1Y E2S E2P E2L E2Y E3S E3P E3L E3Y E4U E4F F1U F1F F2G F3S F3P F3L F3Y F4S F4P F4L F4Y F5S F5P F5L F5Y G1S G1P G1L G1Y G2S G2P G2L G2Y G3S G3P G3L G3Y G4G A2S A2P A2L A2Y 41S 41P 41L 41Y 42S 42P 42L 42Y 43S 43P 43L 43Y 44U 44F H1G H2U 81S 81P 81L 81Y 82S 82P 82L 82Y 83S 83P 83L 83Y 84G 85U 91U 92G 45G 61G G5U G5F A3C A4C 46C D6C E5C F6C G6C B2S B2Y B3S B3Y)	41D2471	*
11	System board, 945GZ (models 47S 47P 47Y 48S 48P 48Y 49S 49P 49Y 4AU 51S 51P 51Y 52S 52P 52Y 53S 53P 53Y J1S J1P J1Y J2S J2P J2Y J3S J3P J3Y J4U G7S G7P G7Y G8S G8P G8Y G9G GAG 93S 93P 93Y 94S 94P 94Y 95S 95P 95Y 96G 97U 48C 54C 31C 89S 89P 89Y 8AS 8AP 8AY 8BS 8BP 8BY J2C CTO A1S A1P A1L A1Y B1S B1P B1L B1Y 21S 21P 21L 21Y 22S 22P 22L 22Y D1U D1F D2S D2P D2L D2Y D3S D3P D3L D3Y E1S E1P E1L E1Y E2S E2P E2L E2Y E3S E3P E3L E3Y E4U E4F F1U F1F F2G F3S F3P F3L F3Y F4S F4P F4L F4Y F5S F5P F5L F5Y G1S G1P G1L G1Y G2S G2P G2L G2Y G3S G3P G3L G3Y G4G A2S A2P A2L A2Y 41S 41P 41L 41Y 42S 42P 42L 42Y 43S 43P 43L 43Y 44U 44F H1G H2U 81S 81P 81L 81Y 82S 82P 82L 82Y 83S 83P 83L 83Y 84G 85U 91U 92G 45G 61G G5U G5F A3C A4C 46C D6C E5C F6C G6C B2S B2Y B3S B3Y)	41X2050	*
12	System fan (models)	TBD	**
13	Power supply (230W) (models CTO D1U D1F E4U E4F F1U F1F F2G G4G 44U 44F H1G H2U 84G 85U 91U 92G 45G 61G G5U G5F 4AU J4U G9G GAG 96G 97U)	41N3094	**
13	Power supply (230W) (China) (models J1S J1P J1Y J2S J2P J2Y J3S J3P J3Y G7S G7P G7Y G8S G8P G8Y 93S 93P 93Y 94S 94P 94Y 95S 95P 95Y 48C 54C 31C 89S 89P 89Y 8AS 8AP 8AY 8BS 8BP 8BY J2C CTO-A CTO-L A1S A1P A1L A1Y B1S B1P B1L B1Y 21S 21P 21L 21Y 22S 22P 22L 22Y D2S D2P D2L D2Y D3S D3P D3L D3Y E1S E1P E1L E1Y E2S E2P E2L E2Y E3S E3P E3L E3Y F3S F3P F3L F3Y F4S F4P F4L F4Y F5S F5P F5L F5Y G1S G1P G1L G1Y G2S G2P G2L G2Y G3S G3P G3L G3Y A2S A2P A2L A2Y 41S 41P 41L 41Y 42S 42P 42L 42Y 43S 43P 43L 43Y 81S 81P 81L 81Y 82S 82P 82L 82Y 83S 83P 83L 83Y A3C A4C 46C D6C E5C F6C G6C B2S B2Y B3S B3Y 47S 47P 47Y 48S 48P 48Y 49S 49P 49Y 51S 51P 51Y 52S 52P 52Y 53S 53P 53Y)	24R2592	**

The FRUs listed in the following table are not illustrated.

8380 FRUs	FRU#	CRU
Shield, 5.25 EMC (all models)	41A7178	*
Cable, SATA (18" RoHs) (all models)	26K1186	*
Cable, Serial (all models)	39K5021	*
Diskette drive EMC Shield (all models)	41A7180	*
Cable, Diskette drive (RoHs) (all models)	41A7182	*
Cover, left side (all models)	41A7183	*
Chassis assembly (all models)	41A7184	*
I/O Shield - Tamdhu Park (all models)	41A7189	N
Kit, Misc. Hardware (all models)	41A7188	**
Retention Module Kit, RoHs (all models)	41A7139	N
2 Drop IDE (all models)	41A7190	**



8380 FRUs	FRU#	CRU
Bezel, 5.25" blank (all models)	41N8077	*
Universal Adapter Bracket 5.25 to 3.5-inch (all models)	32P4743	*
Battery, 3.0V (all models)	33F8354	*

8380 Keyboard (Preferred Pro, Fullsize, Stealth black)	FRU#	CRU
US English (models CTO-U CTO-G A1L B1L 21L 22L D1U D2L D3L E1L E2L E3L E4U F1U F3L F4L F5L G1L G2L G3L A2L 41L 42L 43L 44U H2U 81L 82L 83L 85U 91U 45G 61G G5U A3C A4C 46C D6C E5C F6C G6C 4AU J4U G9G GAG 97U 48C 54C 31C J2C)	89P8300	*
Arabic (models CTO-G 45G 61G G9G GAG)	89P8301	*
Belgian/French (models CTO-G 45G 61G G9G GAG)	89P8302	*
Belgian/UK (models CTO-G 45G 61G G9G GAG)	89P8303	*
Brazil/Portugese (models CTO-L A1P B1P 21P 22P D2P D3P E1P E2P E3P F3P F4P F5P G1P G2P G3P A2P 41P 42P 43P 81P 82P 83P 47P 48P 49P 51P 52P 53P J1P J2P J3P G7P G8P 93P 94P 95P 89P 8AP 8BP)	89P8304	*
Bulgarian (models CTO-G 45G 61G G9G GAG)	89P8305	*
Czech (models CTO-G 45G 61G G9G GAG)	89P8307	*
Danish (models CTO-G 45G 61G G9G GAG)	89P8308	*
Dutch (models CTO-G 45G 61G G9G GAG)	89P8309	*
French (models CTO-G 45G 61G G9G GAG)	89P8310	*
French Canadian 445 (models CTO-U D1F E4F F1F 44F G5F)	89P8311	*
French Canadian 58 (models CTO-U D1F E4F F1F 44F G5F)	89P8312	*
German (models CTO-G 45G 61G G9G GAG)	89P8313	*
Greek (models CTO-G 45G 61G G9G GAG)	89P8314	*
Hebrew (models CTO-G 45G 61G G9G GAG)	89P8315	*
Hungarian (models CTO-G 45G 61G G9G GAG)	89P8316	*
Iceland (models CTO-G 45G 61G G9G GAG)	89P8317	*
Italian 141 (models CTO-G 45G 61G G9G GAG)	89P8318	*
Italian 142 (models CTO-G 45G 61G G9G GAG)	89P8319	*
LA Spanish (models CTO-L A1S A1Y B1S B1Y 21S 21Y 22S 22Y D2S D2Y D3S D3Y E1S E1Y E2S E2Y E3S E3Y F3S F3Y F4S F4Y F5S F5Y G1S G1Y G2S G2Y G3S G3Y A2S A2Y 41S 41Y 42S 42Y 43S 43Y 81S 81Y 82S 82Y 83S 83Y B2S B2Y B3S B3Y 47S 47Y 48S 48Y 49S 49Y 51S 51Y 52S 52Y 53S 53Y J1S J1Y J2S J2Y J3S J3Y G7S G7Y G8S G8Y 93S 93Y 94S 94Y 95S 95Y 89S 89Y 8AS 8AY 8BS 8BY)	89P8322	*
Norwegian (models CTO-G 45G 61G G9G GAG)	89P8323	*
Polish (models CTO-G 45G 61G G9G GAG)	89P8324	*
Portuguese (models CTO-G 45G 61G G9G GAG)	89P8325	*
Romanian (models CTO-G 45G 61G G9G GAG)	89P8326	*
Russian/Cyrillic (models CTO-G 45G 61G G9G GAG)	89P8328	*
Serbian/Cyrillic (models CTO-G 45G 61G G9G GAG)	89P8329	*
Slovak (models CTO-G 45G 61G G9G GAG)	89P8330	*
Spanish (models CTO-G 45G 61G G9G GAG)	89P8331	*
Swedish/Finl (models CTO-G 45G 61G G9G GAG)	89P8332	*
Swiss F/G (models CTO-G 45G 61G G9G GAG)	89P8333	*

<b>8380 Keyboard (Preferred Pro, Fullsize, Stealth black)</b>	<b>FRU#</b>	<b>CRU</b>
Thailand (models CTO-A)	89P8334	*
Turkish 440 (models CTO-G 45G 61G G9G GAG)	89P8335	*
Turkish 179 (models CTO-G 45G 61G G9G GAG)	89P8336	*
UK English (models CTO-G 45G 61G G9G GAG)	89P8337	*
US Euro (models CTO-G 45G 61G G9G GAG)	89P8338	*
Yugoslav/Latin (models CTO-G 45G 61G G9G GAG)	89P8339	*

<b>8380 Keyboards (with fingerprint reader)</b>	<b>FRU#</b>	<b>CRU</b>
US English (models CTO-U CTO-G F2G G4G H1G 84G 92G 96G)	89P9000	*
Arabic (models CTO-G F2G G4G H1G 84G 92G 96G)	89P9001	*
Arabic/French (models CTO-G F2G G4G H1G 84G 92G 96G)	89P9002	*
Belgian/French (models CTO-G F2G G4G H1G 84G 92G 96G)	89P9003	*
Belgian/UK (models CTO-G F2G G4G H1G 84G 92G 96G)	89P9004	*
Brazilian Portuguese (models CTO-L)	89P9005	*
Bulgarian (models CTO-G F2G G4G H1G 84G 92G 96G)	89P9006	*
Czech (models CTO-G F2G G4G H1G 84G 92G 96G)	89P9008	*
Danish (models CTO-G F2G G4G H1G 84G 92G 96G)	89P9009	*
Dutch (models CTO-G F2G G4G H1G 84G 92G 96G)	89P9010	*
French (models CTO-G F2G G4G H1G 84G 92G 96G)	89P9011	*
French Canadian 445 (models CTO-U)	89P9012	*
French Canadian 58 (models CTO-U)	89P9013	*
German (models CTO-G F2G G4G H1G 84G 92G 96G)	89P9014	*
Greek (models CTO-G F2G G4G H1G 84G 92G 96G)	89P9015	*
Hebrew (models CTO-G F2G G4G H1G 84G 92G 96G)	89P9016	*
Hungarian (models CTO-G F2G G4G H1G 84G 92G 96G)	89P9017	*
Iceland (models CTO-G F2G G4G H1G 84G 92G 96G)	89P9018	*
Italian 141 (models CTO-G F2G G4G H1G 84G 92G 96G)	89P9019	*
LA Spanish (models CTO-L)	89P9022	*
Norwegian (models CTO-G F2G G4G H1G 84G 92G 96G)	89P9023	*
Polish (models CTO-G F2G G4G H1G 84G 92G 96G)	89P9024	*
Portuguese (models CTO-G F2G G4G H1G 84G 92G 96G)	89P9025	*
Romanian (models CTO-G F2G G4G H1G 84G 92G 96G)	89P9026	*
Romanian (models CTO-G F2G G4G H1G 84G 92G 96G)	89P9027	*
Russian/Cyrillic (models CTO-G F2G G4G H1G 84G 92G 96G)	89P9028	*
Serbian/Cyrillic (models CTO-G F2G G4G H1G 84G 92G 96G)	89P9029	*
Slovak (models CTO-G F2G G4G H1G 84G 92G 96G)	89P9030	*
Spanish (models CTO-G F2G G4G H1G 84G 92G 96G)	89P9031	*
Swedish/Finn (models CTO-G F2G G4G H1G 84G 92G 96G)	89P9032	*
Swiss F/G (models CTO-G F2G G4G H1G 84G 92G 96G)	89P9033	*
Thailand (models CTO-A)	89P9034	*
Turkish 440 (models CTO-G F2G G4G H1G 84G 92G 96G)	89P9035	*

<b>8380 Keyboards (with fingerprint reader)</b>	<b>FRU#</b>	<b>CRU</b>
Turkish 179 (models CTO-G F2G G4G H1G 84G 92G 96G)	89P9036	*
UK English (models CTO-G F2G G4G H1G 84G 92G 96G)	89P9037	*
US Euro (models CTO-G F2G G4G H1G 84G 92G 96G)	89P9038	*
Yugoslav/Latin (models CTO-G F2G G4G H1G 84G 92G 96G)	89P9039	*

<b>8380 mice</b>	<b>FRU#</b>	<b>CRU</b>
Mouse, Scrollpoint Optical, USB (models CTO)	41A4933	*
Mouse, Optical Wheelmouse, USB (all models)	41A4935	*
Mouse, PS2 Wheelmouse, black (models CTO)	41A4917	*

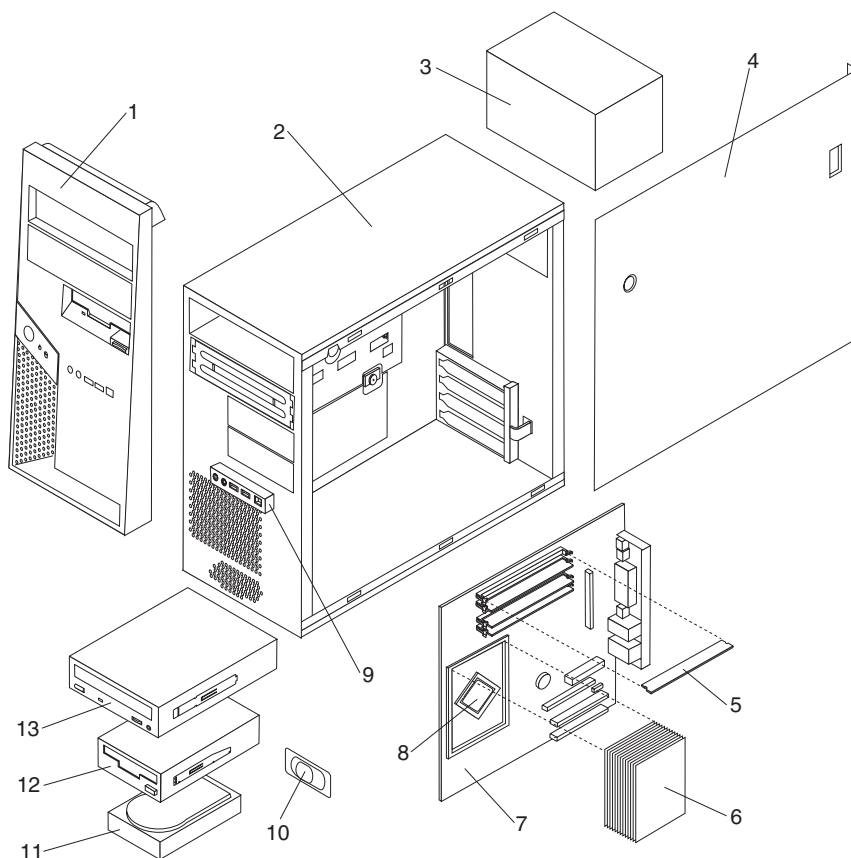
<b>8380 Adapters and miscellaneous FRU</b>	<b>FRU#</b>	<b>CRU</b>
Soft Modem V.90/V.44 (models CTO)	29R9729	*
128MB DDR ATI Radeon x300SE (DMS59 connector) (models CTO G4G)	39J9635	*
128MB DDR ATI RADEON X700 PRO VGA, DVI-I, TV-Out PCI-e BTX (models CTO)	39J6203	*
Nvidia GeForce 6200 P262 w/NV44 (models CTO)	39J6213	*
PCI-E DVI-DConnection Adapter (ADD 2-R) (Full Height) (models CTO)	39J9334	*
Speakers, Jazz Infinity Active T1 (Black) (models CTO)	89P8589	*
Speaker Power brick - US, Canada, LA (low voltage), Taiwan, Phillipines, Thailand (models CTO-U CTO-L CTO-A)	89P8571	*
Speaker Power brick - UK, Hong Kong (British version), ASEAN (models CTO-A)	89P8573	*
Speaker Brick - Europe and LA (high voltage) (models CTO-G CTO-L)	89P8575	*
Speaker Power brick (newer 2 prong) - China, Thailand, Phillipines (models CTO-A)	89P8581	*
Speaker Power brick - ANZ (models CTO-A)	89P8579	*
Speaker Power brick - Brazil (models CTO-L)	89P8583	*
Speaker Power brick - India, South Africa (models CTO-A CTO-G)	89P8585	*
Speaker Power brick - Argentina (models CTO-L)	41A4901	*
RJ11 connector adapter (Spain, Ireland) (All "G" models)	60H6043	*
RJ11 connector adapter (Austria) (All "G" models)	60H6045	*
RJ11 connector adapter (Belgium) (All "G" models)	60H6046	*
RJ11 connector adapter (Denmark) (All "G" models)	60H6047	*
RJ11 connector adapter (Norway, Finland) (All "G" models)	60H6048	*
RJ11 connector adapter (France) (All "G" models)	60H6049	*
RJ11 connector adapter (Germany) (All "G" models)	60H6050	*
RJ11 connector adapter (UK, NZ, HK) (All "G", "M", "B", "H" models)	60H6051	*
RJ11 connector adapter (Italy) (All "G" models)	60H6052	*
RJ11 connector adapter (Netherlands) (All "G" models)	60H6053	*
RJ11 connector adapter (Sweden) (All "G" models)	60H6054	*
RJ11 connector adapter (Switzerland) (All "G" models)	60H6055	*

8380 Power Cords	FRU#	CRU
Power cord - US (models CTO-U A1S A1L B1S B1L 21S 21L 22S 22L D1U D1F D2S D2L D3S D3L E1S E1L E2S E2L E3S E3L E4U E4F F1U F1F F3S F3L F4S F4L F5S F5L G1S G1L G2S G2L G3S G3L A2S A2L 41S 41L 42S 42L 43S 43L 44U 44F H2U 81S 81L 82S 82L 83S 83L 85U 91U G5U G5F B2S B3S 47S 48S 49S 4AU 51S 52S 53S J1S J2S J3S J4U G7S G8S 93S 94S 95S 97U 89S 8AS 8BS)	39M5080	*
Power cord - China (models A3C A4C 46C D6C E5C F6C G6C 48C 54C 31C J2C)	39M5205	*
Power cord - Brazil (models CTO-L A1P B1P 21P 22P D2P D3P E1P E2P E3P F3P F4P F5P G1P G2P G3P A2P 41P 42P 43P 81P 82P 83P 47P 48P 49P 51P 52P 53P J1P J2P J3P G7P G8P 93P 94P 95P 89P 8AP 8BP)	39M5232	*
Power cord - LA High Volt (APU) (models CTO-L A1L A1Y B1L B1Y 21L 21Y 22L 22Y D2L D2Y D3L D3Y E1L E1Y E2L E2Y E3L E3Y F3L F3Y F4L F4Y F5L F5Y G1L G1Y G2L G2Y G3L G3Y A2L A2Y 41L 41Y 42L 42Y 43L 43Y 81L 81Y 82L 82Y 83L 83Y B2Y B3Y 47Y 48Y 49Y 51Y 52Y 53Y J1Y J2Y J3Y G7Y G8Y 93Y 94Y 95Y 89Y 8AY 8BY)	39M5067	*
Power cord - Australia/New Zealand (models CTO-A)	39M5102	*
Power cord - Hong Kong (models CTO-A)	39M5151	*
Power cord - UK, Ireland, Singapore, Malaysia, Brunei (models CTO-G CTO-A F2G G4G H1G 84G 92G 45G 61G G9G GAG 96G)	39M5150	*
Power cord - Taiwan (models CTO-G CTO-A)	39M5246	*
Power cord - Italy (models CTO-G A1S A1L A1Y B1S B1L B1Y 21S 21L 21Y 22S 22L 22Y D2S D2L D2Y D3S D3L D3Y E1S E1L E1Y E2S E2L E2Y E3S E3L E3Y F2G F3S F3L F3Y F4S F4L F4Y F5S F5L F5Y G1S G1L G1Y G2S G2L G2Y G3S G3L G3Y G4G A2S A2L A2Y 41S 41L 41Y 42S 42L 42Y 43S 43L 43Y H1G 81S 81L 81Y 82S 82L 82Y 83S 83L 83Y 84G 92G 45G 61G B2S B2Y B3S B3Y 47S 47Y 48S 48Y 49S 49Y 51S 51Y 52S 52Y 53S 53Y J1S J1Y J2S J2Y J3S J3Y G7S G7Y G8S G8Y G9G GAG 93S 93Y 94S 94Y 95S 95Y 96G 89S 89Y 8AS 8AY 8BS 8BY)	39M5164	*
Power cord - G models (models CTO-G F2G G4G H1G 84G 92G 45G 61G G9G GAG 96G)	39M5122	*
Power cord - Denmark (models CTO-G F2G G4G H1G 84G 92G 45G 61G G9G GAG 96G)	39M5129	*
Power cord - Switzerland (models CTO-G F2G G4G H1G 84G 92G 45G 61G G9G GAG 96G)	39M5157	*
Power cord - Israel (models CTO-G F2G G4G H1G 84G 92G 45G 61G G9G GAG 96G)	39M5171	*
Power cord - South Africa (models CTO-G F2G G4G H1G 84G 92G 45G 61G G9G GAG 96G)	39M5143	*
Power cord - India (models CTO-A)	39M5004	*

8380 Windows XP Pro Recovery CDs	FRU#	CRU
US/UK/AP/TH (models A1L B1L 21L 22L D1U D2L D3L E1L E2L E3L E4U F1U F2G F3L F4L F5L G1L G2L G3L G4G A2L 41L 42L 43L 44U H1G H2U 81L 82L 83L 84G 85U 91U 92G 45G 61G G5U 4AU J4U G9G GAG 96G 97U)	41T1809	*
RE (models F2G G4G H1G 84G 92G 45G 61G G9G GAG 96G)	41T4985	*
FR/CF (models D1F E4F F1F F2G G4G 44F H1G 84G 92G 45G 61G G5F)	41T4134	*
GR (models F2G G4G H1G 84G 92G 45G 61G G9G GAG 96G)	41T4135	*
SP/LA (models F2G G4G H1G 84G 92G 45G 61G G9G GAG 96G B2S B2Y B3S B3Y 47S 47Y 48S 48Y 49S 49Y 51S 51Y 52S 52Y 53S 53Y J1S J1Y J2S J2Y J3S J3Y G7S G7Y G8S G8Y 93S 93Y 94S 94Y 95S 95Y A1S A1Y B1S B1Y 21S 21Y 22S 22Y D2S D2Y D3S D3Y E1S E1Y E2S E2Y E3S E3Y F3S F3Y F4S F4Y F5S F5Y G1S G1Y G2S G2Y G3S G3Y A2S A2Y 41S 41Y 42S 42Y 43S 43Y 81S 81Y 82S 82Y 83S 83Y 89S 89Y 8AS 8AY 8BS 8BY)	41T4136	*
IT (models F2G G4G H1G 84G 92G 45G 61G G9G GAG 96G)	41T4137	*
BR (models F2G G3P H1G 83P G9G GAG 95P 8BP)	41T4138	*

8380 Windows XP Pro Recovery CDs	FRU#	CRU
SV (models F2G G4G H1G 84G 92G 45G 61G G9G GAG 96G)	41T4139	*
DK (models F2G G4G H1G 84G 92G 45G 61G G9G GAG 96G)	41T4991	*
FI (models F2G G4G H1G 84G 92G 45G 61G G9G GAG 96G)	41T4997	*
NO (models F2G G4G H1G 84G 92G 45G 61G G9G GAG 96G)	41T5003	*
NL (models F2G G4G H1G 84G 92G 45G 61G G9G GAG 96G)	41T5009	*
HE (models F2G G4G H1G 84G 92G 45G 61G G9G GAG 96G)	41T5015	*
PL (models F2G G4G H1G 84G 92G 45G 61G G9G GAG 96G)	41T5021	*
CZ (models F2G G4G H1G 84G 92G 45G 61G G9G GAG 96G)	41T5027	*
AE (models F2G G4G H1G 84G 92G 45G 61G G9G GAG 96G)	41T5033	*
RU (models F2G G4G H1G 84G 92G 45G 61G G9G GAG 96G)	41T5039	*
TR (models F2G G4G H1G 84G 92G 45G 61G G9G GAG 96G)	41T5045	*
HU (models F2G G4G H1G 84G 92G 45G 61G G9G GAG 96G)	41T5051	*
PO (models F2G G4G H1G 84G 92G 45G 61G G9G GAG 96G)	41T5057	*
GK (models F2G G4G H1G 84G 92G 45G 61G G9G GAG 96G)	41T5063	*
SL (models F2G G4G H1G 84G 92G 45G 61G G9G GAG 96G)	41T5069	*
Multilingual 1 (models F2G G4G H1G 84G 92G 45G 61G G9G GAG 96G)	41T4206	*
Multilingual 2 (models F2G G4G H1G 84G 92G 45G 61G G9G GAG 96G)	41T5159	*

## Machine Type 8381



Item #	8381 FRUs	FRU#	CRU
1	Bezel Asm (all models)	41A7807	*
2	Chassis Asm (all models)	41A7808	N
3	Power supply, 310 W, standard (models CTO D1U D1F E1U E1F F1U F1F G4G)	24R2596	**
3	Power supply, 310 W, standard, DMO (models CTO D1U D1F E1U E1F F1U F1F G4G 45U 45F H1G H2U H2F 84G 85U 85F 91U 91F 92G 46G 61G G5U G5F 4AU 4BU 4BF 57U 58U 58F G8G G9G 34U 35G 8BG)	41N3143	**
3	Power supply, 310 W (China) (models CTO A1S A1P A1L A1Y B1S B1P B1L B1Y 21S 21P 21L 21Y 22S 22P 22L 22Y D2S D2P D2L D2Y D3S D3P D3L D3Y E2S E2P E2L E2Y E3S E3P E3L E3Y E4S E4P E4L E4Y F2S F2P F2L F2Y F3S F3P F3L F3Y F4S F4P F4L F4Y G1S G1P G1L G1Y G2S G2P G2L G2Y G3S G3P G3L G3Y)	24R2598	**
3	Power supply, 310 W, Robust, DMO (models CTO A1S A1P A1L A1Y B1S B1P B1L B1Y 21S 21P 21L 21Y 22S 22P 22L 22Y D2S D2P D2L D2Y D3S D3P D3L D3Y E2S E2P E2L E2Y E3S E3P E3L E3Y E4S E4P E4L E4Y F2S F2P F2L F2Y F3S F3P F3L F3Y F4S F4P F4L F4Y G1S G1P G1L G1Y G2S G2P G2L G2Y G3S G3P G3L G3Y A2S A2P A2L A2Y 41S 41P 41L 41Y 42S 42P 42L 42Y 43S 43P 43L 43Y 44S 44P 44L 44Y 81S 81P 81L 81Y 82S 82P 82L 82Y 83S 83P 83L 83Y B2S B2Y B3S B3Y 47S 47Y 48S 48Y 49S 49Y 51S 51Y 52S 52Y 53S 53Y 54S 54Y 55S 55Y 56S 56Y G6S G6Y G7S G7Y 31S 31Y 32S 32Y 33S 33Y 89S 89Y 8AS 8AY 8BY)	41N3366	**
4	Cover (all models)	39M0465	*
5	Memory module, 256MB, DDR2 SDRAM, NP (PC 4200) (models CTO A1S A1P A1L A1Y B1S B1P B1L B1Y 21S 21P 21L 21Y 22S 22P 22L 22Y D2S D2P D2L D2Y D3S D3P D3L D3Y E2S E2P E2L E2Y E3S E3P E3L E3Y E4S E4P E4L E4Y F2S F2P F2L F2Y F3S F3P F3L F3Y F4S F4P F4L F4Y G1S G1P G1L G1Y G2S G2P G2L G2Y A2S A2P A2L A2Y 41S 41P 41L 41Y 42S 42P 42L 42Y 43S 43P 43L 43Y 44S 44P 44L 44Y 81S 81P 81L 81Y 82S 82P 82L 82Y B2S B2Y 47S 47Y 51S 51Y 54S 54Y)	30R5120	*
5	Memory module, 512MB, DDR2 SDRAM, NP (PC 4200) (models CTO D1U D1F E1U E1F F1U F1F G3S G3P G3L G3Y G4G 45U 45F H2U H2F 83S 83P 83L 83Y 84G 85U 85F 91U 91F 46G 61G G5U G5F B3S B3Y 48S 48Y 49S 49Y 4AU 4BU 4BF 52S 52Y 53S 53Y 55S 55Y 56S 56Y 57U 58U 58F G6S G6Y G7S G7Y G8G G9G 31S 31Y 32S 32Y 34U 89S 89Y 8AS 8AY)	30R5121	*
5	Memory module, 1GB, DDR2 SDRAM, NP (PC 4200) (models CTO H1G 92G 33S 33Y 35G 8BG 8BY)	30R5122	*
5	Memory module, 2GB, DDR2 SDRAM, NP (PC 4200) (models CTO)	30R5123	*
6	Heat sink (all models)	39M0538	**
7	System board, (models B2S B2Y B3S B3Y 47S 47Y 48S 48Y 49S 49Y 4AU 4BU 4BF 51S 51Y 52S 52Y 53S 53Y 54S 54Y 55S 55Y 56S 56Y 57U 58U 58F G6S G6Y G7S G7Y G8G G9G 31S 31Y 32S 32Y 33S 33Y 34U 35G 89S 89Y 8AS 8AY 8BG 8BY CTO A1S A1P A1L A1Y B1S B1P B1L B1Y 21S 21P 21L 21Y 22S 22P 22L 22Y D1U D1F D2S D2P D2L D2Y D3S D3P D3L D3Y E1U E1F E2S E2P E2L E2Y E3S E3P E3L E3Y E4S E4P E4L E4Y F1U F1F F2S F2P F2L F2Y F3S F3P F3L F3Y F4S F4P F4L F4Y G1S G1P G1L G1Y G2S G2P G2L G2Y G3S G3P G3L G3Y G4G A2S A2P A2L A2Y 41S 41P 41L 41Y 42S 42P 42L 42Y 43S 43P 43L 43Y 44S 44P 44L 44Y 45U 45F H1G H2U H2F 81S 81P 81L 81Y 82S 82P 82L 82Y 83S 83P 83L 83Y 84G 85U 85F 91U 91F 92G 46G 61G G5U G5F)	41X0161	N
8	Microprocessor, Celeron 2.53GHz, 533 FSB, 256KB L2 (models CTO)	39J7016	**
8	Microprocessor, Celeron 2.66GHz, 533 FSB, 256KB L2 (models CTO A2S A2P A2L A2Y)	39J7017	**
8	Microprocessor, Celeron 2.80GHz, 533 FSB, 256KB L2 (models CTO A1S A1P A1L A1Y)	39J7018	**
8	Microprocessor, Celeron 2.93GHz, 533 FSB, 256KB L2 (models CTO B1S B1P B1L B1Y)	39J7019	**

Item #	8381 FRUs	FRU#	CRU
8	Microprocessor, Celeron 3.06GHz, 533 FSB, 256KB L2 (models CTO B2S B2Y B3S B3Y)	39J7020	**
8	Microprocessor, Celeron 3.20GHz, 533 FSB, 256KB L2 (models CTO)	39J9696	**
8	Microprocessor, Pentium 4 2.66GHz, 533 FSB, 1MB L2 (models CTO)	41D0690	**
8	Microprocessor, Pentium 4 2.93GHz, 533 FSB, 1MB L2 (models CTO 21S 21P 21L 21Y)	41D0692	**
8	Microprocessor, Pentium 4 3.06GHz, 533 FSB, 1MB L2 (models CTO 22S 22P 22L 22Y)	41D0694	**
8	Microprocessor, Pentium 4 2.8GHz, 800 FSB, 1MB L2 (models CTO 41S 41P 41L 41Y 42S 42P 42L 42Y 43S 43P 43L 43Y 44S 44P 44L 44Y 45U 45F)	39J7021	**
8	Microprocessor, Pentium 4 3.06GHz 533MHz FSB 1MB L2 (models CTO 47S 47Y 48S 48Y 49S 49Y 4AU 4BU 4BF)	41T4104	**
8	Microprocessor, Pentium 4 3.0GHz, 800 FSB, 1MB L2 (models CTO 51S 51Y 52S 52Y 53S 53Y)	39J7022	**
8	Microprocessor, Pentium 4 3.2GHz, 800 FSB, 1MB L2 (models CTO 54S 54Y 55S 55Y 56S 56Y 57U 58U 58F)	39J7023	**
8	Microprocessor, Pentium 4 3.4GHz, 800 FSB, 1MB L2 (models CTO)	39J7024	**
8	Microprocessor, Pentium 4 2.8GHz, 800 FSB, 2MB L2 (models CTO 61G)	41X2412	**
8	Microprocessor, Pentium 4 3.0GHz, 800 FSB, 2MB L2 (models CTO D1U D1F D2S D2P D2L D2Y D3S D3P D3L D3Y)	39J7025	**
8	Microprocessor, Pentium 4 3.0GHz, Cedar Mill 800 FSB, 2MB L2 (models CTO)	41D5054	**
8	Microprocessor, Pentium 4 3.2GHz, 800 FSB, 2MB L2 (models CTO E1U E1F E2S E2P E2L E2Y E3S E3P E3L E3Y E4S E4P E4L E4Y)	39J7026	**
8	Microprocessor, Pentium 4 3.2GHz, Cedar Mill 800 FSB, 2MB L2 (models CTO)	41D5056	**
8	Microprocessor, Pentium 4 3.4GHz, 800 FSB, 2MB L2 (models CTO F1U F1F F2S F2P F2L F2Y F3S F3P F3L F3Y F4S F4P F4L F4Y)	39J7027	**
8	Microprocessor, Pentium 4 3.4GHz, Cedar Mill 800 FSB, 2MB L2 (models CTO)	41D5058	**
8	Microprocessor, Pentium 4 3.6GHz, Cedar Mill 800 FSB, 2MB L2 (models CTO H1G H2U H2F)	41D5060	**
8	Microprocessor, Smithfield Pentium 4 2.8.4GHz, 800 FSB, 2x1MB L2 (models CTO G1S G1P G1L G1Y G2S G2P G2L G2Y G3S G3P G3L G3Y G4G G5U G5F G6S G6Y G7S G7Y G8G)	39J8469	**
8	Microprocessor, Pentium D 2.8 GHz 800 FSB 2MBx2 L2 C1-Value) (models CTO G9G)	TBD	**
8	Microprocessor, Pentium 4 2.8GHz, Presler 800 FSB, 2x2MB L2 (models CTO 81S 81P 81L 81Y 82S 82P 82L 82Y 83S 83P 83L 83Y 84G 85U 85F)	41D5062	**
8	Microprocessor, Pentium D, 3.0 GHz, 800MHz FSB, 2MBx2 L2 (models CTO 89S 89Y 8AS 8AY 8BG 8BY)	TBD	**
8	Microprocessor, Pentium D, 3.0GHz, 800MHz FSB, 2MBx2 L2 (models CTO 91U 91F 92G)	41D5052	**
8	Microprocessor, Pentium D 3.2 GHz 800 FSB 2MBx2 L2 C1-Value) (models CTO 31S 31Y 32S 32Y 33S 33Y 34U 35G)	TBD	**
9	Front panel card Asm (all models)	26K1183	**
10	Speaker Asm, Soldered Terminals all (models)	39P5023	**
11	Hard disk drive, 40GB, 7200RPM, Serial ATA (models CTO)	40Y9033	**
11	Hard disk drive, 40GB, 7200RPM, Serial ATA (models CTO)	40Y8760	**

Item #	8381 FRUs	FRU#	CRU
11	Hard disk drive, 80GB, 7200RPM, Serial ATA (models 89S 89Y 8AS 8AY 8BG 8BY CTO A1S A1P A1L A1Y B1S B1P B1L B1Y 21S 21P 21L 21Y 22S 22P 22L 22Y D1U D1F D2S D2P D2L D2Y D3S D3P D3L D3Y E1U E1F E2S E2P E2L E2Y E3S E3P E3L E3Y F1U F1F F2S F2P F2L F2Y G1S G1P G1L G1Y A2S A2P A2L A2Y 41S 41P 41L 41Y 42S 42P 42L 42Y 43S 43P 43L 43Y 44S 44P 44L 44Y 45U 45F H2U H2F 81S 81P 81L 81Y 85U 85F 91U 91F 46G 61G G5U G5F B2S B2Y B3S B3Y 47S 47Y 48S 48Y 49S 49Y 4AU 4BU 4BF 51S 51Y 52S 52Y 53S 53Y 54S 54Y 55S 55Y 56S 56Y 57U 58U 58F G6S G6Y G7S G7Y G8G 31S 31Y 32S 32Y 33S 33Y 34U)	40Y9034	**
11	Hard disk drive, 80GB, 7200RPM, Serial ATA (models 89S 89Y 8AS 8AY 8BG 8BY CTO A1S A1P A1L A1Y B1S B1P B1L B1Y 21S 21P 21L 21Y 22S 22P 22L 22Y D1U D1F D2S D2P D2L D2Y D3S D3P D3L D3Y E1U E1F E2S E2P E2L E2Y E3S E3P E3L E3Y F1U F1F F2S F2P F2L F2Y G1S G1P G1L G1Y A2S A2P A2L A2Y 41S 41P 41L 41Y 42S 42P 42L 42Y 43S 43P 43L 43Y 44S 44P 44L 44Y 45U 45F H2U H2F 81S 81P 81L 81Y 85U 85F 91U 91F 46G 61G G5U G5F B2S B2Y B3S B3Y 47S 47Y 48S 48Y 49S 49Y 4AU 4BU 4BF 51S 51Y 52S 52Y 53S 53Y 54S 54Y 55S 55Y 56S 56Y 57U 58U 58F G6S G6Y G7S G7Y G8G 31S 31Y 32S 32Y 33S 33Y 34U)	40Y8761	**
11	Hard disk drive, 160GB, 7200RPM, Serial ATA (models CTO E4S E4P E4L E4Y F3S F3P F3L F3Y G2S G2P G2L G2Y G4G H1G 82S 82P 82L 82Y 84G G9G)	40Y8762	**
11	Hard disk drive, 160GB, 7200RPM, Serial ATA (models CTO E4S E4P E4L E4Y F3S F3P F3L F3Y G2S G2P G2L G2Y G4G H1G 82S 82P 82L 82Y 84G G9G)	40Y9035	**
11	Hard disk drive, 250GB, 7200RPM, Serial ATA (models CTO F4S F4P F4L F4Y G3S G3P G3L G3Y 83S 83P 83L 83Y 92G 35G)	40Y8763	**
11	Hard disk drive, 250GB, 7200RPM, Serial ATA (models CTO F4S F4P F4L F4Y G3S G3P G3L G3Y 83S 83P 83L 83Y 92G 35G)	40Y9036	**
12	Diskette drive, 1.44MB, 3-mode, w/o bezel (models CTO A1S A1P A1L A1Y B1S B1P B1L B1Y 21S 21P 21L 21Y 22S 22P 22L 22Y D2S D2P D2L D2Y E2S E2P E2L E2Y F2S F2P F2L F2Y A2S A2P A2L A2Y 41S 41P 41L 41Y 42S 42P 42L 42Y 43S 43P 43L 43Y 44S 44P 44L 44Y B2S B2Y 47S 47Y 48S 48Y 49S 49Y 51S 51Y 52S 52Y 53S 53Y 54S 54Y 55S 55Y 56S 56Y G6S G6Y G7S G7Y 31S 31Y 32S 32Y 33S 33Y 89S 89Y 8AS 8AY 8BG 8BY)	40Y9107	*
12	Diskette drive, 1.44MB, 3-mode, w/o bezel (models CTO A1S A1P A1L A1Y B1S B1P B1L B1Y 21S 21P 21L 21Y 22S 22P 22L 22Y D2S D2P D2L D2Y E2S E2P E2L E2Y F2S F2P F2L F2Y A2S A2P A2L A2Y 41S 41P 41L 41Y 42S 42P 42L 42Y 43S 43P 43L 43Y 44S 44P 44L 44Y B2S B2Y 47S 47Y 48S 48Y 49S 49Y 51S 51Y 52S 52Y 53S 53Y 54S 54Y 55S 55Y 56S 56Y G6S G6Y G7S G7Y 31S 31Y 32S 32Y 33S 33Y 89S 89Y 8AS 8AY 8BG 8BY)	40Y9105	*
12	Diskette drive, 1.44MB, 3-mode, w/o bezel (models CTO A1S A1P A1L A1Y B1S B1P B1L B1Y 21S 21P 21L 21Y 22S 22P 22L 22Y D2S D2P D2L D2Y E2S E2P E2L E2Y F2S F2P F2L F2Y A2S A2P A2L A2Y 41S 41P 41L 41Y 42S 42P 42L 42Y 43S 43P 43L 43Y 44S 44P 44L 44Y B2S B2Y 47S 47Y 48S 48Y 49S 49Y 51S 51Y 52S 52Y 53S 53Y 54S 54Y 55S 55Y 56S 56Y G6S G6Y G7S G7Y 31S 31Y 32S 32Y 33S 33Y 89S 89Y 8AS 8AY 8BG 8BY)	40Y9113	*
13	CD-ROM drive 48X (models CTO A1S A1P A1L A1Y B1S B1P B1L B1Y 21S 21P 21L 21Y 22S 22P 22L 22Y D1U D1F D2S D2P D2L D2Y E1U E1F E2S E2P E2L E2Y F1U F1F F2S F2P F2L F2Y A2S A2P A2L A2Y 41S 41P 41L 41Y 42S 42P 42L 42Y 45U 45F H2U H2F 85U 85F 91U 91F G5U G5F B2S B2Y 47S 47Y 48S 48Y 4AU 51S 51Y 52S 52Y 54S 54Y 55S 55Y 57U G6S G6Y 31S 31Y 34U 89S 89Y)	40Y8955	*
13	CD-ROM drive 48X (models CTO A1S A1P A1L A1Y B1S B1P B1L B1Y 21S 21P 21L 21Y 22S 22P 22L 22Y D1U D1F D2S D2P D2L D2Y E1U E1F E2S E2P E2L E2Y F1U F1F F2S F2P F2L F2Y A2S A2P A2L A2Y 41S 41P 41L 41Y 42S 42P 42L 42Y 45U 45F H2U H2F 85U 85F 91U 91F G5U G5F B2S B2Y 47S 47Y 48S 48Y 4AU 51S 51Y 52S 52Y 54S 54Y 55S 55Y 57U G6S G6Y 31S 31Y 34U 89S 89Y)	40Y8929	*



Item #	8381 FRUs	FRU#	CRU
13	CD-ROM drive 48X (models CTO A1S A1P A1L A1Y B1S B1P B1L B1Y 21S 21P 21L 21Y 22S 22P 22L 22Y D1U D1F D2S D2P D2L D2Y E1U E1F E2S E2P E2L E2Y F1U F1F F2S F2P F2L F2Y A2S A2P A2L A2Y 41S 41P 41L 41Y 42S 42P 42L 42Y 45U 45F H2U H2F 85U 85F 91U 91F G5U G5F B2S B2Y 47S 47Y 48S 48Y 4AU 51S 51Y 52S 52Y 54S 54Y 55S 55Y 57U G6S G6Y 31S 31Y 34U 89S 89Y)	40Y8953	*
13	CD-ROM drive 48X (models CTO A1S A1P A1L A1Y B1S B1P B1L B1Y 21S 21P 21L 21Y 22S 22P 22L 22Y D1U D1F D2S D2P D2L D2Y E1U E1F E2S E2P E2L E2Y F1U F1F F2S F2P F2L F2Y A2S A2P A2L A2Y 41S 41P 41L 41Y 42S 42P 42L 42Y 45U 45F H2U H2F 85U 85F 91U 91F G5U G5F B2S B2Y 47S 47Y 48S 48Y 4AU 51S 51Y 52S 52Y 54S 54Y 55S 55Y 57U G6S G6Y 31S 31Y 34U 89S 89Y)	40Y8807	*
13	CD-RW drive (48X/32X/48X) (models CTO D3S D3P D3L D3Y E3S E3P E3L E3Y E4S E4P E4L E4Y F3S F3P F3L F3Y F4S F4P F4L F4Y G1S G1P G1L G1Y G2S G2P G2L G2Y 43S 43P 43L 43Y 44S 44P 44L 44Y 81S 81P 81L 81Y 82S 82P 82L 82Y)	40Y8901	*
13	CD-RW drive (48X/32X/48X) (models CTO D3S D3P D3L D3Y E3S E3P E3L E3Y E4S E4P E4L E4Y F3S F3P F3L F3Y F4S F4P F4L F4Y G1S G1P G1L G1Y G2S G2P G2L G2Y 43S 43P 43L 43Y 44S 44P 44L 44Y 81S 81P 81L 81Y 82S 82P 82L 82Y)	40Y8937	*
13	DVD-ROM (16X/48X) - black (models CTO 46G 61G G8G)	40Y8931	*
13	DVD-ROM (16X/48X) - black (models CTO 46G 61G G8G)	40Y8933	*
13	DVD-ROM (16X/48X) - black (models CTO 46G 61G G8G)	40Y8935	*
13	DVD-ROM (16X/48X) - black (models CTO 46G 61G G8G)	40Y8957	*
13	CD-RW/DVD-ROM Combo drive (48X/32X/48X/16X Max) (models CTO G3S G3P G3L G3Y 83S 83P 83L 83Y B3S B3Y 49S 49Y 4BU 4BF 53S 53Y 56S 56Y 58U 58F G7S G7Y G9G 32S 32Y 33S 33Y 8AS 8AY 8BG 8BY)	40Y8919	*
13	CD-RW/DVD-ROM Combo drive (48X/32X/48X/16X Max) (models CTO G3S G3P G3L G3Y 83S 83P 83L 83Y B3S B3Y 49S 49Y 4BU 4BF 53S 53Y 56S 56Y 58U 58F G7S G7Y G9G 32S 32Y 33S 33Y 8AS 8AY 8BG 8BY)	40Y8941	*
13	Multiburner Plus (models CTO G4G H1G 84G 92G 35G)	40Y8909	*

The FRUs listed in the following table are not illustrated.

8381 FRUs	FRU#	CRU
Shield, 5.25 EMC (all models)	39M0460	*
Cable, SATA (18-inch RoHs) (all models)	26K1186	*
Hard disk drive mounting bracket (all models)	39M0461	*
Cable, serial (all models)	39K5021	*
EMC shield, diskette drive (all models)	39M0464	*
Cable, diskette drive (RoHs) (all models)	26K1184	*
Fan duct Asm (all models)	39M0470	*
Power switch/LED Asm (all models)	39M0471	**
Device retaining clips (all models)	39M0473	**
Shield, system board (all models)	39M0476	N
Miscellaneous hardware kit (all models)	39M0477	**
Cable, 1394 panel mount (all models)	39M0478	**
RM kit (all models)	39K5046	N
Cable, 2 Drop IDE (all models)	39M0516	*
Hard Disk Drive Tray w/screws (all models)	39M0491	**

8381 FRUs	FRU#	CRU
Universal Adapter Bracket 5.25 to 3.5-inch (all models)	32P4743	*
Battery, 3.0V (all models)	33F8354	*

8381 Keyboard (Preferred Pro, Fullsize, Stealth black)	FRU#	CRU
US English (models CTO-U CTO-G A1L B1L 21L 22L D1U D2L D3L E1U E2L E3L E4L F1U F2L F3L F4L G1L G2L G3L A2L 41L 42L 43L 44L 45U H2U 81L 82L 83L 85U 91U 46G 61G G5U 4AU 4BU 57U 58U G8G G9G 34U 8BG)	89P8300	*
Arabic (models CTO-G 46G 61G G8G G9G 8BG)	89P8301	*
Belgian/French (models CTO-G 46G 61G G8G G9G 8BG)	89P8302	*
Belgian/UK (models CTO-G 46G 61G G8G G9G 8BG)	89P8303	*
Brazil/Portugese (models CTO-L A1P B1P 21P 22P D2P D3P E2P E3P E4P F2P F3P F4P G1P G2P G3P A2P 41P 42P 43P 44P 81P 82P 83P)	89P8304	*
Bulgarian (models CTO-G 46G 61G G8G G9G 8BG)	89P8305	*
Czech (models CTO-G 46G 61G G8G G9G 8BG)	89P8307	*
Danish (models CTO-G 46G 61G G8G G9G 8BG)	89P8308	*
Dutch (models CTO-G 46G 61G G8G G9G 8BG)	89P8309	*
French (models CTO-G 46G 61G G8G G9G 8BG)	89P8310	*
French Canadian 445 (models CTO-U D1F E1F F1F 45F H2F 85F 91F G5F 4BF 58F)	89P8311	*
French Canadian 58 (models CTO-U D1F E1F F1F 45F H2F 85F 91F G5F 4BF 58F)	89P8312	*
German (models CTO-G 46G 61G G8G G9G 8BG)	89P8313	*
Greek (models CTO-G 46G 61G G8G G9G 8BG)	89P8314	*
Hebrew (models CTO-G 46G 61G G8G G9G 8BG)	89P8315	*
Hungarian (models CTO-G 46G 61G G8G G9G 8BG)	89P8316	*
Iceland (models CTO-G 46G 61G G8G G9G 8BG)	89P8317	*
Italian 142 (models CTO-G 46G 61G G8G G9G 8BG)	89P8319	*
LA Spanish (models CTO-L A1S A1Y B1S B1Y 21S 21Y 22S 22Y D2S D2Y D3S D3Y E2S E2Y E3S E3Y E4S E4Y F2S F2Y F3S F3Y F4S F4Y G1S G1Y G2S G2Y G3S G3Y A2S A2Y 41S 41Y 42S 42Y 43S 43Y 44S 44Y 81S 81Y 82S 82Y 83S 83Y B2S B2Y B3S B3Y 47S 47Y 48S 48Y 49S 49Y 51S 51Y 52S 52Y 53S 53Y 54S 54Y 55S 55Y 56S 56Y G6S G6Y G7S G7Y 31S 31Y 32S 32Y 33S 33Y 89S 89Y 8AS 8AY 8BY)	89P8322	*
Norwegian (models CTO-G 46G 61G G8G G9G 8BG)	89P8323	*
Polish (models CTO-G 46G 61G G8G G9G 8BG)	89P8324	*
Portuguese (models CTO-G 46G 61G G8G G9G 8BG)	89P8325	*
Romanian (models CTO-G 46G 61G G8G G9G 8BG)	89P8326	*
Russian/Cyrillic (models CTO-G 46G 61G G8G G9G 8BG)	89P8328	*
Serbian/Cyrillic (models CTO-G 46G 61G G8G G9G 8BG)	89P8329	*
Slovak (models CTO-G 46G 61G G8G G9G 8BG)	89P8330	*
Spanish (models CTO-G 46G 61G G8G G9G 8BG)	89P8331	*
Swedish/Finn (models CTO-G 46G 61G G8G G9G 8BG)	89P8332	*
Swiss F/G (models CTO-G 46G 61G G8G G9G 8BG)	89P8333	*
Thailand (models CTO-A)	89P8334	*
Turkish 440 (models CTO-G 46G 61G G8G G9G 8BG)	89P8335	*
Turkish 179 (models CTO-G 46G 61G G8G G9G 8BG)	89P8336	*

<b>8381 Keyboard (Preferred Pro, Fullsize, Stealth black)</b>	<b>FRU#</b>	<b>CRU</b>
UK English (models CTO-G 46G 61G G8G G9G 8BG)	89P8337	*
US Euro (models CTO-G 46G 61G G8G G9G 8BG)	89P8338	*
Yugoslav/Latin (models CTO-G 46G 61G G8G G9G 8BG)	89P8339	*

<b>8381 Keyboards (with fingerprint reader)</b>	<b>FRU#</b>	<b>CRU</b>
US English (models CTO-U CTO-G G4G H1G 84G 92G 35G)	89P9000	*
Arabic (models CTO-G G4G H1G 84G 92G 35G)	89P9001	*
Arabic/French (models CTO-G G4G H1G 84G 92G 35G)	89P9002	*
Belgian/French (models CTO-G G4G H1G 84G 92G 35G)	89P9003	*
Belgian/UK (models CTO-G G4G H1G 84G 92G 35G)	89P9004	*
Brazilian Portuguese (models CTO-L)	89P9005	*
Bulgarian (models CTO-G G4G H1G 84G 92G 35G)	89P9006	*
Czech (models CTO-G G4G H1G 84G 92G 35G)	89P9008	*
Danish (models CTO-G G4G H1G 84G 92G 35G)	89P9009	*
Dutch (models CTO-G G4G H1G 84G 92G 35G)	89P9010	*
French (models CTO-G G4G H1G 84G 92G 35G)	89P9011	*
French Canadian 445 (models CTO-U)	89P9012	*
French Canadian 58 (models CTO-U)	89P9013	*
German (models CTO-G G4G H1G 84G 92G 35G)	89P9014	*
Greek (models CTO-G G4G H1G 84G 92G 35G)	89P9015	*
Hebrew (models CTO-G G4G H1G 84G 92G 35G)	89P9016	*
Hungarian (models CTO-G G4G H1G 84G 92G 35G)	89P9017	*
Iceland (models CTO-G G4G H1G 84G 92G 35G)	89P9018	*
Italian 141 (models CTO-G G4G H1G 84G 92G 35G)	89P9019	*
LA Spanish (models CTO-L)	89P9022	*
Norwegian (models CTO-G G4G H1G 84G 92G 35G)	89P9023	*
Polish (models CTO-G G4G H1G 84G 92G 35G)	89P9024	*
Portuguese (models CTO-G G4G H1G 84G 92G 35G)	89P9025	*
Romanian (models CTO-G G4G H1G 84G 92G 35G)	89P9026	*
Romanian (models CTO-G G4G H1G 84G 92G 35G)	89P9027	*
Russian/Cyrillic (models CTO-G G4G H1G 84G 92G 35G)	89P9028	*
Serbian/Cyrillic (models CTO-G G4G H1G 84G 92G 35G)	89P9029	*
Slovak (models CTO-G G4G H1G 84G 92G 35G)	89P9030	*
Spanish (models CTO-G G4G H1G 84G 92G 35G)	89P9031	*
Swedish/Finland (models CTO-G G4G H1G 84G 92G 35G)	89P9032	*
Swiss F/G (models CTO-G G4G H1G 84G 92G 35G)	89P9033	*
Thailand (models CTO-A)	89P9034	*
Turkish 440 (models CTO-G G4G H1G 84G 92G 35G)	89P9035	*
Turkish 179 (models CTO-G G4G H1G 84G 92G 35G)	89P9036	*
UK English (models CTO-G G4G H1G 84G 92G 35G)	89P9037	*
US Euro (models CTO-G G4G H1G 84G 92G 35G)	89P9038	*

8381 Keyboards (with fingerprint reader)	FRU#	CRU
Yugoslav/Latin (models CTO-G G4G H1G 84G 92G 35G)	89P9039	*

8381 mice	FRU#	CRU
Mouse, Scrollpoint Optical, USB (models CTO)	41A4933	*
Mouse, Scrollpoint Optical, USB Optical Wheelmouse, USB (all models)	41A4935	*
Mouse, PS2 Wheelmouse (models CTO)	41A4917	*

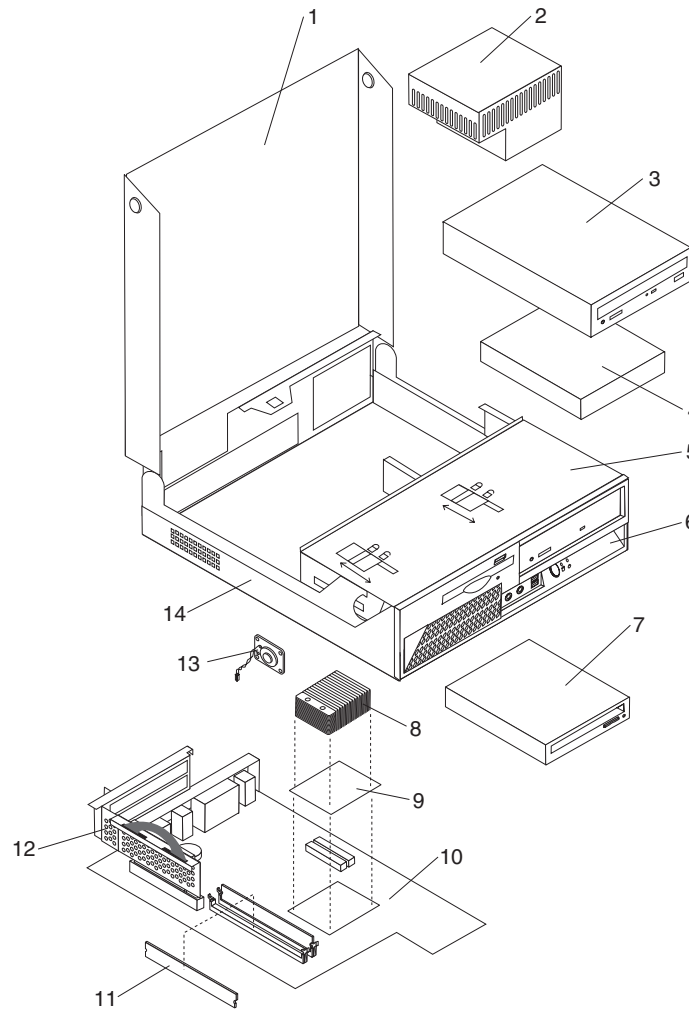
8381 Adapters and miscellaneous FRU	FRU#	CRU
Soft Modem V.90/V.44 (models CTO)	29R9729	*
128MB DDR ATI Radeon x300SE (DMS59 connector) (models CTO H1G)	39J9635	*
128MB DDR ATI RADEON X700 PRO VGA, DVI-I, TV-Out PCI-e BTX (models CTO G4G 84G 92G)	39J6203	*
Nvidia GeForce 6200 P262 w/NV44 (models CTO)	39J6213	*
PCI-E DVI-DConnection Adapter (ADD 2-R) (Full Height) (models CTO G9G 35G)	39J9334	*
1394 Firewire PCI LP (ATX) (models CTO)	41D2781	*
Speakers, Jazz Infinity Active T1 (Black) (models CTO)	89P8589	*
Speaker Power brick - US, Canada, LA (low voltage), Taiwan, Phillipines, Thailand (models CTO-U CTO-L CTO-A)	89P8571	*
Speaker Power brick - UK, Hong Kong (British version), ASEAN (models CTO-A)	89P8573	*
Speaker Brick - Europe and LA (high voltage) (models CTO-G CTO-L)	89P8575	*
Speaker Power brick (newer 2 prong) - China, Thailand, Phillipines (models CTO-A)	89P8581	*
Speaker Power brick - ANZ (models CTO-A)	89P8579	*
Speaker Power brick - Brazil (models CTO-L)	89P8583	*
Speaker Power brick - India, South Africa (models CTO-A CTO-G)	89P8385	*
Speaker Power brick - Argentina (models CTO-L)	41A4901	*
RJ11 connector adapter (Spain, Ireland) (All "G" models)	60H6043	*
RJ11 connector adapter (Austria) (All "G" models)	60H6045	*
RJ11 connector adapter (Belgium) (All "G" models)	60H6046	*
RJ11 connector adapter (Denmark) (All "G" models)	60H6047	*
RJ11 connector adapter (Norway, Finland) (All "G" models)	60H6048	*
RJ11 connector adapter (France) (All "G" models)	60H6049	*
RJ11 connector adapter (Germany) (All "G" models)	60H6050	*
RJ11 connector adapter (UK, NZ, HK) (All "G", "M", "B", "H" models)	60H6051	*
RJ11 connector adapter (Italy) (All "G" models)	60H6052	*
RJ11 connector adapter (Netherlands) (All "G" models)	60H6053	*
RJ11 connector adapter (Sweden) (All "G" models)	60H6054	*
RJ11 connector adapter (Switzerland) (All "G" models)	60H6055	*

8381 Power Cords	FRU#	CRU
Power cord - US (models CTO-U A1S A1L B1S B1L 21S 21L 22S 22L D1U D1F D2S D2L D3S D3L E1U E1F E2S E2L E3S E3L E4S E4L F1U F1F F2S F2L F3S F3L F4S F4L G1S G1L G2S G2L G3S G3L A2S A2L 41S 41L 42S 42L 43S 43L 44S 44L 45U 45F H2U H2F 81S 81L 82S 82L 83S 83L 85U 85F 91U 91F G5U G5F B2S B3S 47S 48S 49S 4AU 4BU 4BF 51S 52S 53S 54S 55S 56S 57U 58U 58F G6S G7S 31S 32S 33S 34U 89S 8AS)	39M5080	*
Power cord - Brazil (models CTO-L A1P B1P 21P 22P D2P D3P E2P E3P E4P F2P F3P F4P G1P G2P G3P A2P 41P 42P 43P 44P 81P 82P 83P)	39M5232	*
Power cord - LA High Volt (APU) (models CTO-L A1L A1Y B1L B1Y 21L 21Y 22L 22Y D2L D2Y D3L D3Y E2L E2Y E3L E3Y E4L E4Y F2L F2Y F3L F3Y F4L F4Y G1L G1Y G2L G2Y G3L G3Y A2L A2Y 41L 41Y 42L 42Y 43L 43Y 44L 44Y 81L 81Y 82L 82Y 83L 83Y B2Y B3Y 47Y 48Y 49Y 51Y 52Y 53Y 54Y 55Y 56Y G6Y G7Y 31Y 32Y 33Y 89Y 8AY 8BY)	39M5067	*
Power cord - Australia/New Zealand (models CTO-A)	39M5102	*
Power cord - Hong Kong (models CTO-A)	39M5151	*
Power cord - UK, Ireland, Singapore, Malaysia, Brunei (models CTO-G CTO-A G4G H1G 84G 92G 46G 61G G8G G9G 35G 8BG)	39M5150	*
Power cord - Italy (models CTO-G A1S A1L A1Y B1S B1L B1Y 21S 21L 21Y 22S 22L 22Y D2S D2L D2Y D3S D3L D3Y E2S E2L E2Y E3S E3L E3Y E4S E4L E4Y F2S F2L F2Y F3S F3L F3Y F4S F4L F4Y G1S G1L G1Y G2S G2L G2Y G3S G3L G3Y G4G A2S A2L A2Y 41S 41L 41Y 42S 42L 42Y 43S 43L 43Y 44S 44L 44Y H1G 81S 81L 81Y 82S 82L 82Y 83S 83L 83Y 84G 92G 46G 61G B2S B2Y B3S B3Y 47S 47Y 48S 48Y 49S 49Y 51S 51Y 52S 52Y 53S 53Y 54S 54Y 55S 55Y 56S 56Y G6S G6Y G7S G7Y G8G G9G 31S 31Y 32S 32Y 33S 33Y 35G 89S 89Y 8AS 8AY 8BG 8BY)	39M5164	*
Power cord - G models (models CTO-G G4G H1G 84G 92G 46G 61G G8G G9G 35G 8BG)	39M5122	*
Power cord - Denmark (models CTO-G G4G H1G 84G 92G 46G 61G G8G G9G 35G 8BG)	39M5129	*
Power cord - Switzerland (models CTO-G G4G H1G 84G 92G 46G 61G G8G G9G 35G 8BG)	39M5157	*
Power cord - Israel (models CTO-G G4G H1G 84G 92G 46G 61G G8G G9G 35G 8BG)	39M5171	*
Power cord - South Africa (models CTO-G G4G H1G 84G 92G 46G 61G G8G G9G 35G 8BG)	39M5143	*
Power cord - India (models CTO-A)	39M5004	*

8381 Windows XP Pro Recovery CDs	FRU#	CRU
US/UK/AP/TH (models A1L B1L 21L 22L D1U D2L D3L E1U E2L E3L E4L F1U F2L F3L F4L G1L G2L G3L G4G A2L 41L 42L 43L 44L 45U H1G H2U 81L 82L 83L 84G 85U 91U 92G 46G 61G G5U 4AU 4BU 57U 58U G8G G9G 34U 35G 8BG)	41T1809	*
RE (models G4G H1G 84G 92G 46G 61G G8G G9G 35G 8BG)	41T4985	*
FR/CF (models D1F E1F F1F G4G 45F H1G H2F 84G 85F 91F 92G 46G 61G G5F 4BF 58F G8G G9G 35G 8BG)	41T4134	*
GR (models G4G H1G 84G 92G 46G 61G G8G G9G 35G 8BG)	41T4135	*
SP/LA (models G4G H1G 84G 92G 46G 61G G8G G9G 35G 8BG B2S B2Y B3S B3Y 47S 47Y 48S 48Y 49S 49Y 51S 51Y 52S 52Y 53S 53Y 54S 54Y 55S 55Y 56S 56Y G6S G6Y G7S G7Y 31S 31Y 32S 32Y 33S 33Y 8BY A1S A1Y B1S B1Y 21S 21Y 22S 22Y D2S D2Y D3S D3Y E2S E2Y E3S E3Y E4S E4Y F2S F2Y F3S F3Y F4S F4Y G1S G1Y G2S G2Y G3S G3Y A2S A2Y 41S 41Y 42S 42Y 43S 43Y 44S 44Y 81S 81Y 82S 82Y 83S 83Y)	41T4136	*
IT (models G4G H1G 84G 92G 46G 61G G8G G9G 35G 8BG)	41T4137	*
BR (models G3P H1G 83P)	41T4138	*
SV (models G4G H1G 84G 92G 46G 61G G8G G9G 35G 8BG)	41T4139	*
DK (models G4G H1G 84G 92G 46G 61G G8G G9G 35G 8BG)	41T4991	*

8381 Windows XP Pro Recovery CDs	FRU#	CRU
FI (models G4G H1G 84G 92G 46G 61G G8G G9G 35G 8BG)	41T4997	*
NO (models G4G H1G 84G 92G 46G 61G G8G G9G 35G 8BG)	41T5003	*
NL (models G4G H1G 84G 92G 46G 61G G8G G9G 35G 8BG)	41T5009	*
HE (models G4G H1G 84G 92G 46G 61G G8G G9G 35G 8BG)	41T5015	*
PL (models G4G H1G 84G 92G 46G 61G G8G G9G 35G 8BG)	41T5021	*
CZ (models G4G H1G 84G 92G 46G 61G G8G G9G 35G 8BG)	41T5027	*
AE (models G4G H1G 84G 92G 46G 61G G8G G9G 35G 8BG)	41T5033	*
RU (models G4G H1G 84G 92G 46G 61G G8G G9G 35G 8BG)	41T5039	*
TR (models G4G H1G 84G 92G 46G 61G G8G G9G 35G 8BG)	41T5045	*
HU (models G4G H1G 84G 92G 46G 61G G8G G9G 35G 8BG)	41T5051	*
PO (models G4G H1G 84G 92G 46G 61G G8G G9G 35G 8BG)	41T5057	*
GK (models G4G H1G 84G 92G 46G 61G G8G G9G 35G 8BG)	41T5063	*
SL (models G4G H1G 84G 92G 46G 61G G8G G9G 35G 8BG)	41T5069	*
Multilingual 1 (models G4G H1G 84G 92G 46G 61G G8G G9G 35G 8BG)	41T4206	*
Multilingual 2 (models G4G H1G 84G 92G 46G 61G G8G G9G 35G 8BG)	41T5159	*

# Machine Type 8382



Item #	8382 FRUs	FRU#	CRU
1	Cover (all models)	26K1263	*
2	Power Supply (225 Watt) (models CTO D3U D3F E3U E3F F4G F5U F5F G4G)	24R2584	**
2	Power Supply (225 Watt), WW, DMO (models CTO D3U D3F E3U E3F F4G F5U F5F G4G 45U 45F H1G H2U H2F 84G 85U 85F 91G 92U 92F 46G 61G G5U 4AU G9G GAG 96U 97G)	41N3375	**
2	Power Supply (225 Watt) China (models CTO-A CTO-L A1S A1P A1L A1Y B1S B1P B1L B1Y 21S 21P 21L 21Y 22S 22P 22L 22Y D1S D1P D1L D1Y D2S D2P D2L D2Y E1S E1P E1L E1Y E2S E2P E2L E2Y E4S E4P E4L E4Y F1S F1P F1L F1Y F2S F2P F2L F2Y F3S F3P F3L F3Y G1S G1P G1L G1Y G2S G2P G2L G2Y G3S G3P G3L G3Y)	24R2587	**
2	Power Supply (225 Watt) China, DMO (models CTO-A CTO-L A1S A1P A1L A1Y B1S B1P B1L B1Y 21S 21P 21L 21Y 22S 22P 22L 22Y D1S D1P D1L D1Y D2S D2P D2L D2Y E1S E1P E1L E1Y E2S E2P E2L E2Y E4S E4P E4L E4Y F1S F1P F1L F1Y F2S F2P F2L F2Y F3S F3P F3L F3Y G1S G1P G1L G1Y G2S G2P G2L G2Y G3S G3P G3L G3Y A2S A2P A2L A2Y 41S 41P 41L 41Y 42S 42P 42L 42Y 43S 43P 43L 43Y 44S 44P 44L 44Y 81S 81P 81L 81Y 82S 82P 82L 82Y 83S 83P 83L 83Y A1Q 23Q 62Q G6Q B2S B2Y B3S B3Y 41Q 47S 47Y 48S 48Y 49S 49Y 51S 51Y 52S 52Y 53S 53Y 54S 54Y 55S 55Y 56S 56Y G7S G7Y G8S G8Y 93S 93Y 94S 94Y 95S 95Y 89S 89Y 8AS 8AY 8BS 8BY)	41N3379	**

Item #	8382 FRUs	FRU#	CRU
3	CD-ROM Drive 48X (models CTO A1S A1P A1L A1Y B1S B1P B1L B1Y 21S 21P 21L 21Y 22S 22P 22L 22Y D1S D1P D1L D1Y D3U D3F E1S E1P E1L E1Y E3U E3F F1S F1P F1L F1Y F5U F5F A2S A2P A2L A2Y 41S 41P 41L 41Y 42S 42P 42L 42Y 45U 45F H2U H2F 85U 85F 92U 92F A1Q 23Q 62Q G5U G6Q B2S B2Y 41Q 47S 47Y 48S 48Y 51S 51Y 52S 52Y 54S 54Y 55S 55Y G7S G7Y 93S 93Y 96U 89S 89Y)	40Y8955	*
3	CD-ROM Drive 48X (models CTO A1S A1P A1L A1Y B1S B1P B1L B1Y 21S 21P 21L 21Y 22S 22P 22L 22Y D1S D1P D1L D1Y D3U D3F E1S E1P E1L E1Y E3U E3F F1S F1P F1L F1Y F5U F5F A2S A2P A2L A2Y 41S 41P 41L 41Y 42S 42P 42L 42Y 45U 45F H2U H2F 85U 85F 92U 92F A1Q 23Q 62Q G5U G6Q B2S B2Y 41Q 47S 47Y 48S 48Y 51S 51Y 52S 52Y 54S 54Y 55S 55Y G7S G7Y 93S 93Y 96U 89S 89Y)	40Y8929	*
3	CD-ROM Drive 48X (models CTO A1S A1P A1L A1Y B1S B1P B1L B1Y 21S 21P 21L 21Y 22S 22P 22L 22Y D1S D1P D1L D1Y D3U D3F E1S E1P E1L E1Y E3U E3F F1S F1P F1L F1Y F5U F5F A2S A2P A2L A2Y 41S 41P 41L 41Y 42S 42P 42L 42Y 45U 45F H2U H2F 85U 85F 92U 92F A1Q 23Q 62Q G5U G6Q B2S B2Y 41Q 47S 47Y 48S 48Y 51S 51Y 52S 52Y 54S 54Y 55S 55Y G7S G7Y 93S 93Y 96U 89S 89Y)	40Y8953	*
3	CD-ROM Drive 48X (models CTO A1S A1P A1L A1Y B1S B1P B1L B1Y 21S 21P 21L 21Y 22S 22P 22L 22Y D1S D1P D1L D1Y D3U D3F E1S E1P E1L E1Y E3U E3F F1S F1P F1L F1Y F5U F5F A2S A2P A2L A2Y 41S 41P 41L 41Y 42S 42P 42L 42Y 45U 45F H2U H2F 85U 85F 92U 92F A1Q 23Q 62Q G5U G6Q B2S B2Y 41Q 47S 47Y 48S 48Y 51S 51Y 52S 52Y 54S 54Y 55S 55Y G7S G7Y 93S 93Y 96U 89S 89Y)	40Y8807	*
3	CD-RW Drive (48X/32X/48X) (models CTO D2S D2P D2L D2Y E2S E2P E2L E2Y E4S E4P E4L E4Y F2S F2P F2L F2Y F3S F3P F3L F3Y G1S G1P G1L G1Y G2S G2P G2L G2Y 43S 43P 43L 43Y 44S 44P 44L 44Y 81S 81P 81L 81Y 82S 82P 82L 82Y)	40Y8901	*
3	CD-RW Drive (48X/32X/48X) (models CTO D2S D2P D2L D2Y E2S E2P E2L E2Y E4S E4P E4L E4Y F2S F2P F2L F2Y F3S F3P F3L F3Y G1S G1P G1L G1Y G2S G2P G2L G2Y 43S 43P 43L 43Y 44S 44P 44L 44Y 81S 81P 81L 81Y 82S 82P 82L 82Y)	40Y8937	*
3	DVD-ROM 16X/48X - Black (models CTO 46G 61G G9G)	40Y8931	*
3	DVD-ROM 16X/48X - Black (models CTO 46G 61G G9G)	40Y8933	*
3	DVD-ROM 16X/48X - Black (models CTO 46G 61G G9G)	40Y8935	*
3	DVD-ROM 16X/48X - Black (models CTO 46G 61G G9G)	40Y8957	*
3	DVD-ROM/CD-RW Combo Drive (48x/32x/48x/16x) (models CTO G3S G3P G3L G3Y 83S 83P 83L 83Y B3S B3Y 49S 49Y 53S 53Y 56S 56Y G8S G8Y GAG 94S 94Y 95S 95Y 8AS 8AY 8BS 8BY)	40Y8919	*
3	DVD-ROM/CD-RW Combo Drive (48x/32x/48x/16x) (models CTO G3S G3P G3L G3Y 83S 83P 83L 83Y B3S B3Y 49S 49Y 53S 53Y 56S 56Y G8S G8Y GAG 94S 94Y 95S 95Y 8AS 8AY 8BS 8BY)	40Y8941	*
3	Multi-Burner Plus (models CTO F4G G4G H1G 84G 91G 97G)	40Y8909	*
4	Hard Disk Drive 40GB 7200 rpm Serial ATA (models CTO)	40Y9033	*
4	Hard Disk Drive 40GB 7200 rpm Serial ATA (models CTO)	40Y8760	*
4	Hard Disk Drive 80GB 7200 rpm Serial ATA (models 89S 89Y 8AS 8AY 8BS 8BY CTO A1S A1P A1L A1Y B1S B1P B1L B1Y 21S 21P 21L 21Y 22S 22P 22L 22Y D1S D1P D1L D1Y D2S D2P D2L D2Y D3U D3F E1S E1P E1L E1Y E2S E2P E2L E2Y E3U E3F F1S F1P F1L F1Y F5U F5F G1S G1P G1L G1Y A2S A2P A2L A2Y 41S 41P 41L 41Y 42S 42P 42L 42Y 43S 43P 43L 43Y 44S 44P 44L 44Y 45U 45F H2U H2F 81S 81P 81L 81Y 85U 85F 92U 92F A1Q 23Q 46G 61G 62Q G5U G6Q B2S B2Y B3S B3Y 41Q 47S 47Y 48S 48Y 49S 49Y 4AU 51S 51Y 52S 52Y 53S 53Y 54S 54Y 55S 55Y 56S 56Y G7S G7Y G8S G8Y G9G 93S 93Y 94S 94Y 95S 95Y 96U)	40Y9034	*



Item #	8382 FRUs	FRU#	CRU
4	Hard Disk Drive 80GB 7200 rpm Serial ATA (models 89S 89Y 8AS 8AY 8BS 8BY CTO A1S A1P A1L A1Y B1S B1P B1L B1Y 21S 21P 21L 21Y 22S 22P 22L 22Y D1S D1P D1L D1Y D2S D2P D2L D2Y D3U D3F E1S E1P E1L E1Y E2S E2P E2L E2Y E3U E3F F1S F1P F1L F1Y F5U F5F G1S G1P G1L G1Y A2S A2P A2L A2Y 41S 41P 41L 41Y 42S 42P 42L 42Y 43S 43P 43L 43Y 44S 44P 44L 44Y 45U 45F H2U H2F 81S 81P 81L 81Y 85U 85F 92U 92F A1Q 23Q 46G 61G 62Q G5U G6Q B2S B2Y B3S B3Y 41Q 47S 47Y 48S 48Y 49S 49Y 4AU 51S 51Y 52S 52Y 53S 53Y 54S 54Y 55S 55Y 56S 56Y G7S G7Y G8S G8Y G9G 93S 93Y 94S 94Y 95S 95Y 96U)	40Y8761	*
4	Hard Disk Drive 160GB 7200 rpm Serial ATA (models CTO E4S E4P E4L E4Y F2S F2P F2L F2Y F4G G2S G2P G2L G2Y G4G H1G 82S 82P 82L 82Y 84G GAG)	40Y8762	*
4	Hard Disk Drive 160GB 7200 rpm Serial ATA (models CTO E4S E4P E4L E4Y F2S F2P F2L F2Y F4G G2S G2P G2L G2Y G4G H1G 82S 82P 82L 82Y 84G GAG)	40Y9035	*
4	Hard Disk Drive 250GB 7200 rpm Serial ATA (models CTO F3S F3P F3L F3Y G3S G3P G3L G3Y 83S 83P 83L 83Y 91G 97G)	40Y8763	*
4	Hard Disk Drive 250GB 7200 rpm Serial ATA (models CTO F3S F3P F3L F3Y G3S G3P G3L G3Y 83S 83P 83L 83Y 91G 97G)	40Y9036	*
5	Rotating bay assembly (all models)	03R0285	**
6	Bezel Plastic Kit (all models)	26K1214	*
7	Slim Diskette Drive, 1.44 MB 3 mode (without cable and bezel) (models CTO A1S A1P A1L A1Y B1S B1P B1L B1Y 21S 21P 21L 21Y 22S 22P 22L 22Y D1S D1P D1L D1Y E1S E1P E1L E1Y F1S F1P F1L F1Y A2S A2P A2L A2Y 41S 41P 41L 41Y 42S 42P 42L 42Y 43S 43P 43L 43Y 44S 44P 44L 44Y A1Q 23Q 62Q G6Q B2S B2Y 41Q 47S 47Y 48S 48Y 49S 49Y 51S 51Y 52S 52Y 53S 53Y 54S 54Y 55S 55Y 56S 56Y G7S G7Y G8S G8Y 93S 93Y 94S 94Y 95S 95Y 89S 89Y 8AS 8AY 8BS 8BY)	40Y9109	*
7	Slim Diskette Drive, 1.44 MB 3 mode (without cable and bezel) (models CTO A1S A1P A1L A1Y B1S B1P B1L B1Y 21S 21P 21L 21Y 22S 22P 22L 22Y D1S D1P D1L D1Y E1S E1P E1L E1Y F1S F1P F1L F1Y A2S A2P A2L A2Y 41S 41P 41L 41Y 42S 42P 42L 42Y 43S 43P 43L 43Y 44S 44P 44L 44Y A1Q 23Q 62Q G6Q B2S B2Y 41Q 47S 47Y 48S 48Y 49S 49Y 51S 51Y 52S 52Y 53S 53Y 54S 54Y 55S 55Y 56S 56Y G7S G7Y G8S G8Y 93S 93Y 94S 94Y 95S 95Y 89S 89Y 8AS 8AY 8BS 8BY)	40Y9111	*
8	Heat Sink, Side Car w/baffle, Lead Free (all models)	26K1258	**
9	Microprocessor, 2.53GHZ Celeron Prescott P4 (533FSB, 256KB) (models CTO)	39J7004	**
9	Microprocessor, 2.66 GHZ Celeron Prescott P4 (533FSB, 256KB) (models CTO A2S A2P A2L A2Y)	39J7005	**
9	Microprocessor, 2.8 GHZ Celeron Prescott P4 (533FSB, 256KB) (models CTO A1S A1P A1L A1Y A1Q)	39J7006	**
9	Microprocessor, 2.93 GHZ Celeron Prescott P4 (533FSB, 256KB) (models CTO B1S B1P B1L B1Y)	39J7007	**
9	Microprocessor, 3.06 GHZ Celeron Prescott P4 (533FSB, 256KB) (models CTO B2S B2Y B3S B3Y)	39J7008	**
9	Microprocessor, 3.2 GHZ Celeron Prescott P4 (533FSB, 256KB) (models CTO)	39J9695	**
9	Microprocessor, 3.2 GHZ Celeron Prescott P4 (533FSB, 512KB) (models CTO)	41T4966	**
9	Microprocessor, 3.33 GHZ Celeron Prescott P4 (533FSB, 256KB) (models CTO)	41T1132	**
9	Microprocessor, 3.33 GHZ Celeron Prescott P4 (533FSB, 512KB) (models CTO)	41T4968	**
9	Microprocessor, 2.66 GHZ Prescott P4 (533FSB, 1MB) (models CTO 23Q)	41D0684	**
9	Microprocessor, 2.93 GHZ Prescott P4 (533FSB, 1MB) (models CTO 21S 21P 21L 21Y)	41D0686	**
9	Microprocessor, 3.06 GHZ Prescott P4 (533FSB, 1MB) (models CTO 22S 22P 22L 22Y)	41D0688	**

Item #	8382 FRUs	FRU#	CRU
9	Microprocessor, 2.8 GHZ Prescott P4 (800FSB, 1MB) (models CTO 41S 41P 41L 41Y 42S 42P 42L 42Y 43S 43P 43L 43Y 44S 44P 44L 44Y 45U 45F 46G 41Q)	39J7009	**
8	Microprocessor, Pentium 4 3.06GHz 533MHz FSB 1MB L2 (models CTO 47S 47Y 48S 48Y 49S 49Y 4AU)	41T4104	**
9	Microprocessor, 3.0 GHZ Prescott P4 (800FSB, 1MB) (models CTO 51S 51Y 52S 52Y 53S 53Y)	39J7010	**
9	Microprocessor, 3.2 GHZ Prescott P4 (800FSB, 1MB) (models CTO 54S 54Y 55S 55Y 56S 56Y)	39J7011	**
9	Microprocessor, 3.4 GHZ Prescott P4 (800FSB, 1MB) (models CTO)	39J7012	**
9	Microprocessor, 2.8 GHZ Prescott P4 (800FSB, 2MB) (models CTO 61G 62Q)	41X2412	**
9	Microprocessor, 3.0 GHZ Prescott P4 (800FSB, 2MB) (models CTO D1S D1P D1L D1Y D2S D2P D2L D2Y D3U D3F)	39J7013	**
9	Microprocessor, 3.0 GHZ Cedar Mill P4 (800FSB, 2MB) (models CTO)	41D5042	**
9	Microprocessor, 3.2 GHZ Prescott P4 (800FSB, 2MB) (models CTO E1S E1P E1L E1Y E2S E2P E2L E2Y E3U E3F E4S E4P E4L E4Y)	39J7014	**
9	Microprocessor, 3.2 GHZ Cedar Mill P4 (800FSB, 2MB) (models CTO)	41D5044	**
9	Microprocessor, 3.4 GHZ Prescott P4 (800FSB, 2MB) (models CTO F1S F1P F1L F1Y F2S F2P F2L F2Y F3S F3P F3L F3Y F4G F5U F5F)	39J7015	**
9	Microprocessor, 3.4 GHZ Cedar Mill P4 (800FSB, 2MB) (models CTO)	41D5046	**
9	Microprocessor, 3.6 GHZ Cedar Mill P4 (800FSB, 2MB) (models CTO H1G H2U H2F)	41D5048	**
9	Microprocessor, Pentium D, 2.8 GHZ, 800MHz FSB, 1MBx2 L2 (models CTO G1S G1P G1L G1Y G2S G2P G2L G2Y G3S G3P G3L G3Y G4G G5U G6Q G7S G7Y G8S G8Y G9G)	39J8468	**
9	Microprocessor, Pentium D 2.8 GHz 800 FSB 2MBx2 L2 C1-Value) (models CTO GAG)	TBD	**
9	Microprocessor, Pentium D, 2.8 GHZ, 800MHz FSB, 2MBx2 L2 (models CTO 81S 81P 81L 81Y 82S 82P 82L 82Y 83S 83P 83L 83Y 84G 85U 85F)	41D5050	**
9	Microprocessor, Pentium D 3.0 GHz 800 FSB 2MBx2 L2 C1-Value) (models CTO 89S 89Y 8AS 8AY 8BS 8BY)	TBD	**
9	Microprocessor, Pentium D, 3.0 GHz, 800MHz FSB, 2MBx2 L2 (models CTO CTO 91G 92U 92F)	41D5052	**
9	Microprocessor, Pentium D 3.2 GHz 800 FSB 2MBx2 L2 C1-Value) (models CTO 93S 93Y 94S 94Y 95S 95Y 96U 97G)	TBD	**
10	System Board (models B2S B2Y B3S B3Y 41Q 47S 47Y 48S 48Y 49S 49Y 4AU 51S 51Y 52S 52Y 53S 53Y 54S 54Y 55S 55Y 56S 56Y G7S G7Y G8S G8Y G9G GAG 93S 93Y 94S 94Y 95S 95Y 96U 97G 89S 89Y 8AS 8AY 8BS 8BY CTO A1S A1P A1L A1Y B1S B1P B1L B1Y 21S 21P 21L 21Y 22S 22P 22L 22Y D1S D1P D1L D1Y D2S D2P D2L D2Y D3U D3F E1S E1P E1L E1Y E2S E2P E2L E2Y E3U E3F E4S E4P E4L E4Y F1S F1P F1L F1Y F2S F2P F2L F2Y F3S F3P F3L F3Y F4G F5U F5F G1S G1P G1L G1Y G2S G2P G2L G2Y G3S G3P G3L G3Y G4G A2S A2P A2L A2Y 41S 41P 41L 41Y 42S 42P 42L 42Y 43S 43P 43L 43Y 44S 44P 44L 44Y 45U 45F H1G H2U H2F 81S 81P 81L 81Y 82S 82P 82L 82Y 83S 83P 83L 83Y 84G 85U 85F 91G 92U 92F A1Q 23Q 46G 61G 62Q G5U G6Q)	41D2469	**
11	256MB DDR2 SDRAM NP Memory (PC 4200) (models CTO A1S A1P A1L A1Y B1S B1P B1L B1Y 21S 21P 21L 21Y 22S 22P 22L 22Y D1S D1P D1L D1Y D2S D2P D2L D2Y E1S E1P E1L E1Y E2S E2P E2L E2Y E4S E4P E4L E4Y F1S F1P F1L F1Y F2S F2P F2L F2Y F3S F3P F3L F3Y G1S G1P G1L G1Y G2S G2P G2L G2Y A2S A2P A2L A2Y 41S 41P 41L 41Y 43S 43P 43L 43Y 81S 81P 81L 81Y 82S 82P 82L 82Y A1Q 23Q 62Q G6Q B2S B2Y 41Q 47S 47Y 51S 51Y 54S 54Y)	30R5120	*

Item #	8382 FRUs	FRU#	CRU
11	512MB DDR2 SDRAM NP Memory (PC 4200) (models CTO D3U D3F F4G F5U F5F G3S G3P G3L G3Y G4G 42S 42P 42L 42Y 44S 44P 44L 44Y 45U 45F H2U H2F 83S 83P 83L 83Y 84G 85U 85F 92U 92F 46G 61G G5U B3S B3Y 48S 48Y 49S 49Y 4AU 52S 52Y 53S 53Y 55S 55Y 56S 56Y G7S G7Y G8S G8Y G9G GAG 93S 93Y 94S 94Y 96U 89S 89Y 8AS 8AY)	30R5121	*
11	1GB DDR2 SDRAM NP Memory (PC 4200) (models CTO H1G 91G 95S 95Y 97G 8BS 8BY)	30R5122	*
11	2GB DDR2 SDRAM NP Memory (PC 4200) (models CTO)	30R5123	*
12	Riser card assembly (all models)	41A7730	*
13	Speaker/cable assembly (models CTO F1G)	39K5012	*
14	Chassis (all models)	26K1262	**

The FRUs listed in the following table are not illustrated.

8382 FRUs	FRU#	CRU
Hard disk Drive tray (all models)	03R0302	**
Floor stand and vertical deflector (all models)	74P0404	**
System board tray (all models)	26K1213	**
Internal plastic kit (all models)	03R0289	**
Cable, 2 Drop Hard Disk Drive and Optical - ATA 100 (all models)	26K1246	*
Cable, Optical (1 Drop) ATA 100 (all models)	26K1244	*
Cable, SATA Device (all models)	39K5026	*
Cable, pwr/LED (all models)	26K1242	*
Cable, Diskette Drive (all models)	26K1248	*
Fan assembly (all models)	26K1253	*
Battery (all models)	33F8354	*
Universal Adapter Bracket 5.25 to 3.5-inch (all models)	32P4743	*
Retention module, tool less heat sink (all models)	26K1281	*

8382 Keyboards (Preferred Pro Fullsize)	FRU#	CRU
US English (models CTO-U CTO-G A1L B1L 21L 22L D1L D2L D3U E1L E2L E3U E4L F1L F2L F3L F5U G1L G2L G3L A2L 41L 42L 43L 44L 45U H2U 81L 82L 83L 85U 92U A1Q 23Q 46G 61G 62Q G5U G6Q 41Q 4AU G9G GAG 96U)	89P8300	*
Arabic (models CTO-G 46G 61G G9G GAG)	89P8301	*
Belgian/French (models CTO-G 46G 61G G9G GAG)	89P8302	*
Belgian/UK (models CTO-G 46G 61G G9G GAG)	89P8303	*
Brazil/Portuguese (models CTO-L A1P B1P 21P 22P D1P D2P E1P E2P E4P F1P F2P F3P G1P G2P G3P A2P 41P 42P 43P 44P 81P 82P 83P)	89P8304	*
Bulgarian (models CTO-G 46G 61G G9G GAG)	89P8305	*
Czech (models CTO-G 46G 61G G9G GAG)	89P8307	*
Danish (models CTO-G 46G 61G G9G GAG)	89P8308	*
Dutch (models CTO-G 46G 61G G9G GAG)	89P8309	*
French (models CTO-G 46G 61G G9G GAG)	89P8310	*
French Canadian 445 (models CTO-U D3F E3F F5F 45F H2F 85F 92F)	89P8311	*

8382 Keyboards (Preferred Pro Fullsize)	FRU#	CRU
French Canadian 58 (models CTO-U D3F E3F F5F 45F H2F 85F 92F)	89P8312	*
German (models CTO-G 46G 61G G9G GAG)	89P8313	*
Greek (models CTO-G 46G 61G G9G GAG)	89P8314	*
Hebrew (models CTO-G 46G 61G G9G GAG)	89P8315	*
Hungarian (models CTO-G 46G 61G G9G GAG)	89P8316	*
Iceland (models CTO-G 46G 61G G9G GAG)	89P8317	*
Italian (models CTO-G 46G 61G G9G GAG)	89P8319	*
LA Spanish (models CTO-L A1S A1Y B1S B1Y 21S 21Y 22S 22Y D1S D1Y D2S D2Y E1S E1Y E2S E2Y E4S E4Y F1S F1Y F2S F2Y F3S F3Y G1S G1Y G2S G2Y G3S G3Y A2S A2Y 41S 41Y 42S 42Y 43S 43Y 44S 44Y 81S 81Y 82S 82Y 83S 83Y B2S B2Y B3S B3Y 47S 47Y 48S 48Y 49S 49Y 51S 51Y 52S 52Y 53S 53Y 54S 54Y 55S 55Y 56S 56Y G7S G7Y G8S G8Y 93S 93Y 94S 94Y 95S 95Y 89S 89Y 8AS 8AY 8BS 8BY)	89P8322	*
Norwegian (models CTO-G 46G 61G G9G GAG)	89P8323	*
Polish (models CTO-G 46G 61G G9G GAG)	89P8324	*
Portuguese (models CTO-G 46G 61G G9G GAG)	89P8325	*
Romanian (models CTO-G 46G 61G G9G GAG)	89P8326	*
Russian (models CTO-G 46G 61G G9G GAG)	89P8327	*
Russian/Cyrillic (models CTO-G 46G 61G G9G GAG)	89P8328	*
Serbian/Cyrillic (models CTO-G 46G 61G G9G GAG)	89P8329	*
Slovak (models CTO-G 46G 61G G9G GAG)	89P8330	*
Spanish (models CTO-G 46G 61G G9G GAG)	89P8331	*
Swedish/Finn (models CTO-G 46G 61G G9G GAG)	89P8332	*
Swiss F/G (models CTO-G 46G 61G G9G GAG)	89P8333	*
Thailand (models CTO-A)	89P8334	*
Turkish 179 (models CTO-G 46G 61G G9G GAG)	89P8336	*
UK English (models CTO-G 46G 61G G9G GAG)	89P8337	*
US Euro (models CTO-G 46G 61G G9G GAG)	89P8338	*
Yugoslav/Latin (models CTO-G 46G 61G G9G GAG)	89P8339	*

8382 Keyboards (with fingerprint reader)	FRU#	CRU
US English (models CTO-U CTO-G F4G G4G H1G 84G 91G 97G)	89P9000	*
Arabic (models CTO-G F4G G4G H1G 84G 91G 97G)	89P9001	*
Arabic/French (models CTO-G F4G G4G H1G 84G 91G 97G)	89P9002	*
Belgian/French (models CTO-G F4G G4G H1G 84G 91G 97G)	89P9003	*
Belgian/UK (models CTO-G F4G G4G H1G 84G 91G 97G)	89P9004	*
Brazilian Portuguese (models CTO-L)	89P9005	*
Bulgarian (models CTO-G F4G G4G H1G 84G 91G 97G)	89P9006	*
Czech (models CTO-G F4G G4G H1G 84G 91G 97G)	89P9008	*
Danish (models CTO-G F4G G4G H1G 84G 91G 97G)	89P9009	*
Dutch (models CTO-G F4G G4G H1G 84G 91G 97G)	89P9010	*
French (models CTO-G F4G G4G H1G 84G 91G 97G)	89P9011	*
French Canadian 445 (models CTO-U)	89P9012	*

<b>8382 Keyboards (with fingerprint reader)</b>	<b>FRU#</b>	<b>CRU</b>
French Canadian 58 (models CTO-U)	89P9013	*
German (models CTO-G F4G G4G H1G 84G 91G 97G)	89P9014	*
Greek (models CTO-G F4G G4G H1G 84G 91G 97G)	89P9015	*
Hebrew (models CTO-G F4G G4G H1G 84G 91G 97G)	89P9016	*
Hungarian (models CTO-G F4G G4G H1G 84G 91G 97G)	89P9017	*
Iceland (models CTO-G F4G G4G H1G 84G 91G 97G)	89P9018	*
Italian 141 (models CTO-G F4G G4G H1G 84G 91G 97G)	89P9019	*
LA Spanish (models CTO-L)	89P9022	*
Norwegian (models CTO-G F4G G4G H1G 84G 91G 97G)	89P9023	*
Polish (models CTO-G F4G G4G H1G 84G 91G 97G)	89P9024	*
Portuguese (models CTO-G F4G G4G H1G 84G 91G 97G)	89P9025	*
Romanian (models CTO-G F4G G4G H1G 84G 91G 97G)	89P9026	*
Romanian (models CTO-G F4G G4G H1G 84G 91G 97G)	89P9027	*
Russian/Cyrillic (models CTO-G F4G G4G H1G 84G 91G 97G)	89P9028	*
Serbian/Cyrillic (models CTO-G F4G G4G H1G 84G 91G 97G)	89P9029	*
Slovak (models CTO-G F4G G4G H1G 84G 91G 97G)	89P9030	*
Spanish (models CTO-G F4G G4G H1G 84G 91G 97G)	89P9031	*
Swedish/Finn (models CTO-G F4G G4G H1G 84G 91G 97G)	89P9032	*
Swiss F/G (models CTO-G F4G G4G H1G 84G 91G 97G)	89P9033	*
Thailand (models CTO-A)	89P9034	*
Turkish 440 (models CTO-G F4G G4G H1G 84G 91G 97G)	89P9035	*
Turkish 179 (models CTO-G F4G G4G H1G 84G 91G 97G)	89P9036	*
UK English (models CTO-G F4G G4G H1G 84G 91G 97G)	89P9037	*
US Euro (models CTO-G F4G G4G H1G 84G 91G 97G)	89P9038	*
Yugoslav/Latin (models CTO-G F4G G4G H1G 84G 91G 97G)	89P9039	*

<b>8382 mice</b>	<b>FRU#</b>	<b>CRU</b>
Mouse, Scrollpoint Optical, USB (models CTO)	41A4933	*
Mouse, Optical Wheelmouse, USB (all models)	41A4935	*
Mouse, PS2 Wheelmouse, black (models CTO)	41A4917	*

<b>8382 Adapters and miscellaneous FRU</b>	<b>FRU#</b>	<b>CRU</b>
Soft Modem V.90/V.44 (models CTO)	29R9729	*
PCI-E DVI-D Connection Adapter (ADD 2-R) (Full Height) (models CTO G4G 84G 91G GAG 97G)	39J9334	*
Speakers, Jazz Infinity Active T1 (Black) (models CTO)	89P8589	*
Speaker Power brick - US, Canada, LA (low voltage), Taiwan, Phillipines, Thailand (models CTO-U CTO-L CTO-A)	89P8571	*
Speaker Power brick - UK, Hong Kong (British version), ASEAN (models CTO-A)	89P8573	*
Speaker Brick - Europe and LA (high voltage) (models CTO-G CTO-L)	89P8575	*
Speaker Power brick (newer 2 prong) - China, Thailand, Phillipines (models CTO-A)	89P8581	*

8382 Adapters and miscellaneous FRU	FRU#	CRU
Speaker Power brick - ANZ (models CTO-A)	89P8579	*
Speaker Power brick - Brazil (models CTO-L)	89P8583	*
Speaker Power brick - India, South Africa (models CTO-A CTO-G)	89P8585	*
Speaker Power brick - Argentina (models CTO-L)	41A4901	*
RJ11 connector adapter (Spain, Ireland) (All "G" models)	60H6043	*
RJ11 connector adapter (Austria) (All "G" models)	60H6045	*
RJ11 connector adapter (Belgium) (All "G" models)	60H6046	*
RJ11 connector adapter (Denmark) (All "G" models)	60H6047	*
RJ11 connector adapter (Norway, Finland) (All "G" models)	60H6048	*
RJ11 connector adapter (France) (All "G" models)	60H6049	*
RJ11 connector adapter (Germany) (All "G" models)	60H6050	*
RJ11 connector adapter (UK, NZ, HK) (All "G", "M", "B", "H" models)	60H6051	*
RJ11 connector adapter (Italy) (All "G" models)	60H6052	*
RJ11 connector adapter (Netherlands) (All "G" models)	60H6053	*
RJ11 connector adapter (Sweden) (All "G" models)	60H6054	*
RJ11 connector adapter (Switzerland) (All "G" models)	60H6055	*

8382 Power Cords	FRU#	CRU
Power cord - US (models CTO-U A1S A1L B1S B1L 21S 21L 22S 22L D1S D1L D2S D2L D3U D3F E1S E1L E2S E2L E3U E3F E4S E4L F1S F1L F2S F2L F3S F3L F5U F5F G1S G1L G2S G2L G3S G3L A2S A2L 41S 41L 42S 42L 43S 43L 44S 44L 45U 45F H2U H2F 81S 81L 82S 82L 83S 83L 85U 85F 92U 92F G5U B2S B3S 47S 48S 49S 4AU 51S 52S 53S 54S 55S 56S G7S G8S 93S 94S 95S 96U 89S 8AS 8BS)	39M5080	*
Power cord - Brazil (models CTO-L A1P B1P 21P 22P D1P D2P E1P E2P E4P F1P F2P F3P G1P G2P G3P A2P 41P 42P 43P 44P 81P 82P 83P)	39M5232	*
Power cord - LA High Volt (APU) (models CTO-L A1L A1Y B1L B1Y 21L 21Y 22L 22Y D1L D1Y D2L D2Y E1L E1Y E2L E2Y E4L E4Y F1L F1Y F2L F2Y F3L F3Y G1L G1Y G2L G2Y G3L G3Y A2L A2Y 41L 41Y 42L 42Y 43L 43Y 44L 44Y 81L 81Y 82L 82Y 83L 83Y B2Y B3Y 47Y 48Y 49Y 51Y 52Y 53Y 54Y 55Y 56Y G7Y G8Y 93Y 94Y 95Y 89Y 8AY 8BY)	39M5067	*
Power cord - Australia/New Zealand (models CTO-A)	39M5102	*
Power cord - Hong Kong (models CTO-A)	39M5151	*
Power cord - UK, Ireland, Singapore, Malaysia, Brunei (models CTO-G CTO-A F4G G4G H1G 84G 91G 46G 61G G9G GAG 97G)	39M5150	*
Power cord - Italy (models CTO-G A1S A1L A1Y B1S B1L B1Y 21S 21L 21Y 22S 22L 22Y D1S D1L D1Y D2S D2L D2Y E1S E1L E1Y E2S E2L E2Y E4S E4L E4Y F1S F1L F1Y F2S F2L F2Y F3S F3L F3Y F4G G1S G1L G1Y G2S G2L G2Y G3S G3L G3Y G4G A2S A2L A2Y 41S 41L 41Y 42S 42L 42Y 43S 43L 43Y 44S 44L 44Y H1G 81S 81L 81Y 82S 82L 82Y 83S 83L 83Y 84G 91G 46G 61G B2S B2Y B3S B3Y 47S 47Y 48S 48Y 49S 49Y 51S 51Y 52S 52Y 53S 53Y 54S 54Y 55S 55Y 56S 56Y G7S G7Y G8S G8Y G9G GAG 93S 93Y 94S 94Y 95S 95Y 97G 89S 89Y 8AS 8AY 8BS 8BY)	39M5164	*
Power cord - G models (models CTO-G F4G G4G H1G 84G 91G 46G 61G G9G GAG 97G)	39M5122	*
Power cord - Denmark (models CTO-G F4G G4G H1G 84G 91G 46G 61G G9G GAG 97G)	39M5129	*
Power cord - Switzerland (models CTO-G F4G G4G H1G 84G 91G 46G 61G G9G GAG 97G)	39M5157	*
Power cord - Israel (models CTO-G F4G G4G H1G 84G 91G 46G 61G G9G GAG 97G)	39M5171	*

8382 Power Cords	FRU#	CRU
Power cord - South Africa (models CTO-G F4G G4G H1G 84G 91G 46G 61G G9G GAG 97G)	39M5143	*
Power cord - India (models CTO-A A1Q 23Q 62Q G6Q 41Q)	39M5004	*

8382 Windows XP Pro Recovery CDs	FRU#	CRU
US/UK/AP/TH (models A1L B1L 21L 22L D1L D2L D3U E1L E2L E3U E4L F1L F2L F3L F4G F5U G1L G2L G3L G4G A2L 41L 42L 43L 44L 45U H1G H2U 81L 82L 83L 84G 85U 91G 92U A1Q 23Q 46G 61G 62Q G5U G6Q 41Q 4AU G9G GAG 96U 97G)	41T1809	*
RE (models F4G G4G H1G 84G 91G 46G 61G G9G GAG 97G)	41T4985	*
FR/CF (models D3F E3F F4G F5F G4G 45F H1G H2F 84G 85F 91G 46G 61G 92F)	41T4134	*
GR (models F4G G4G H1G 84G 91G 46G 61G G9G GAG 97G)	41T4135	*
SP/LA (models F4G G4G A1S A1Y B1S B1Y 21S 21Y 22S 22Y D1S D1Y D2S D2Y E1S E1Y E2S E2Y E4S E4Y F1S F1Y F2S F2Y F3S F3Y G1S G1Y G2S G2Y G3S G3Y A2S A2Y 41S 41Y 42S 42Y 43S 43Y 44S 44Y H1G 81S 81Y 82S 82Y 83S 83Y 84G 91G 46G 61G B2S B2Y B3S B3Y 47S 47Y 48S 48Y 49S 49Y 51S 51Y 52S 52Y 53S 53Y 54S 54Y 55S 55Y 56S 56Y G7S G7Y G8S G8Y G9G GAG 93S 93Y 94S 94Y 95S 95Y 97G 89S 89Y 8AS 8AY 8BS 8BY)	41T4136	*
IT (models F4G G4G H1G 84G 91G 46G 61G G9G GAG 97G)	41T4137	*
BR (models 83P)	41T4138	*
SV (models F4G G4G H1G 84G 91G 46G 61G G9G GAG 97G)	41T4139	*
DK (models F4G G4G H1G 84G 91G 46G 61G G9G GAG 97G)	41T4991	*
FI (models F4G G4G H1G 84G 91G 46G 61G G9G GAG 97G)	41T4997	*
NO (models F4G G4G H1G 84G 91G 46G 61G G9G GAG 97G)	41T5003	*
NL (models F4G G4G H1G 84G 91G 46G 61G G9G GAG 97G)	41T5009	*
HE (models F4G G4G H1G 84G 91G 46G 61G G9G GAG 97G)	41T5015	*
PL (models F4G G4G H1G 84G 91G 46G 61G G9G GAG 97G)	41T5021	*
CZ (models F4G G4G H1G 84G 91G 46G 61G G9G GAG 97G)	41T5027	*
AE (models F4G G4G H1G 84G 91G 46G 61G G9G GAG 97G)	41T5033	*
RU (models F4G G4G H1G 84G 91G 46G 61G G9G GAG 97G)	41T5039	*
TR (models F4G G4G H1G 84G 91G 46G 61G G9G GAG 97G)	41T5045	*
HU (models F4G G4G H1G 84G 91G 46G 61G G9G GAG 97G)	41T5051	*
PO (models F4G G4G H1G 84G 91G 46G 61G G9G GAG 97G)	41T5057	*
GK (models F4G G4G H1G 84G 91G 46G 61G G9G GAG 97G)	41T5063	*
SL (models F4G G4G H1G 84G 91G 46G 61G G9G GAG 97G)	41T5069	*
Multilingual 1 (models F4G G4G H1G 84G 91G 46G 61G G9G GAG 97G)	41T4206	*
Multilingual 2 (models F4G G4G H1G 84G 91G 46G 61G G9G GAG 97G)	41T5159	*





---

## Chapter 9. Additional Service Information

This chapter provides additional information that the service representative might find helpful.

---

### Security features

Security features in this section include the following:

- Passwords
- Vital Product Data
- Management Information Format (MIF)
- Alert on LAN™

### Hardware controlled Passwords

Hardware controlled passwords are set using the Setup Utility program. For more information about passwords, see “Using passwords” on page 53.

### Operating system password

An operating system password is very similar to a power-on password and denies access to the computer by an unauthorized user when the password is activated. The computer is unusable until the password is entered and recognized by the computer.

### Vital product data

Each computer has a unique Vital Product Data (VPD) code stored in the nonvolatile memory on the system board. After you replace the system board, the VPD must be updated. To update the VPD, see “Flash update procedures” on page 260.

### Management Information Format (MIF)

Management Information Format (MIF) is a file used to maintain a list of the system unit serial number along with all serialized components (for example, system board, riser card, memory, and processor)

At the time of computer manufacture, the EPROM is loaded with the serial numbers of the system and all major components.

A company called Retain-a-Group is a central data warehouse offering serial number data management. Retain-a-Group acts as a focal point to law enforcement. The customer has the option to purchase serial number information and services from Retain-a-Group. It is the customer’s responsibility to maintain the MIF file and to inform Retain-a-Group of any changes to the file.

Some customers might request that their servicers assist them in maintaining the MIF file when serialized components are replaced during hardware service. This assistance is between the customer and the servicer. The servicer can use the DMI MIF Browser to update the MIF information in the EPROM. It is anticipated that some servicers might charge for this service.

To update the EPROM using the DMI MIF Browser, use the following procedure.

1. Click **Start** from the desktop, then **Programs**.
2. Select **SystemView Agent**
3. Select the **Serial Number Information** icon
4. Click the plus sign to expand.
5. Select the component you want to view or edit.
6. Double click on the component you want to change.
7. Enter new data in the *Value* field, then click **Apply**.

---

## BIOS levels

An incorrect level of BIOS can cause false errors and unnecessary FRU replacement. Use the following information to determine the current level of BIOS installed in the computer, the latest BIOS available for the computer, and where to obtain the latest level of BIOS.

- Current Level BIOS information
  - Run the Setup Utility to determine the level of BIOS installed.
- Sources for obtaining the latest level BIOS available
  1. Lenovo support web site:  
<http://www.lenovo.com/think/support/>
  2. Lenovo Customer Support Center
  3. Levels 1 and 2 Support

To update (flash) the BIOS, see “Flash update procedures.”

---

## Flash update procedures

This section details how to flash (update) the BIOS.

### Updating (flashing) BIOS from a diskette or CD-ROM

1. If you are updating from a CD-ROM, insert the flash update CD-ROM in the optical drive before turning off the computer.
2. Shut down the operating system and turn off the computer.
3. If you are updating from a diskette, insert the flash update diskette in the diskette drive. Turn on the computer. The update begins.
4. When you are prompted to select a language, press the number on your keyboard that corresponds to the language; then press Enter.
5. When prompted to change the serial number, press Y, type the seven character serial number of your computer, and then press Enter.
6. When prompted to change the machine type/model, press Y, type the seven character machine type/model of your computer, and then press Enter.
7. Follow the instructions on the screen to complete the update.

### Updating (flashing) BIOS from your operating system

**Note:** Due to constant improvements being made to the Lenovo Web site, Web page content (including the links referenced in the following procedure) is subject to change.

1. From your browser, type <http://www.lenovo.com/think/support>.
2. In the Use Quick path field, type your 4-digit machine type and click **Go**.

3. Under Browse by product, click **Downloads and drivers**.
4. Scroll down to the BIOS category and click on the **Flash Bios Update**.
5. On the Flash BIOS Update page, scroll down to locate the .txt file for the flash from the operating system version. Click the .txt file.
6. Print these instructions. This is very important because these instructions are not on the screen after the download begins.
7. From the browser, click **Back** to return to the list of files. Carefully follow the printed instructions to download, extract, and install the update.

## Recovering from a POST/BIOS update failure

**Attention:** If an interruption occurs during a POST/BIOS update (flash update), the computer might not restart correctly. If this occurs, perform the following procedure (also known as a Boot-block recovery)

**Note:** If your computer has no internal diskette drive, an optional USB diskette drive must be connected to use the BIOS flash diskette.

1. Open the cover.
2. Remove any parts necessary to gain access to the Clear CMOS/Recovery jumper.
3. Move the Clear CMOS/Recovery jumper from the standard position (pins 1 and 2) to pins 2 and 3.
4. Insert the BIOS flash diskette in the diskette drive.
5. Close the cover and reconnect the computer power cord to the computer and to an electrical outlet. Turn on the computer.
6. The recovery session takes two to three minutes. During this time you will hear a series of beeps. After the update session completes, the series of beeps ends and the computer automatically turns off. There is no video during the recovery session.
7. When the computer turns off, open the cover.
8. Move the Clear CMOS/Recovery jumper back to the original position (pins 1 and 2)
9. Remove the BIOS flash diskette from the diskette drive.
10. Close or install the cover and reconnect all external cables.

---

## Power management

Power management reduces the power consumption of certain components of the computer such as the system power supply, processor, hard disk drives, and some monitors.

### Automatic configuration and power interface (ACPI) BIOS

Being an ACPI BIOS system, the operating system is allowed to control the power management features of the computer and the setting for Advanced Power Management (APM) BIOS mode is ignored. Not all operating systems support ACPI BIOS mode.

### Automatic Power-On features

The Automatic Power-On features within the Power Management menu allow you to enable and disable features that turn on the computer automatically.

- **Serial Port A Ring Detect:** With this feature set to **Enabled** and an external modem connected to serial port (COM1), the computer will turn on automatically when a ring is detected on the modem.
- **PCI Modem Ring Detect:** With this feature set to **Enabled**, the computer will turn on automatically when a ring is detected on the internal modem.
- **PCI Wake Up:** This feature allows PCI cards that support this capability to wake the system.
- **Wake Up on Alarm:** You can specify a date and time at which the computer will be turned on automatically. This can be either a single event or a daily event.
- **Wake on LAN:** If the computer has a properly configured token-ring or Ethernet LAN adapter card that is Wake on LAN-enabled and there is remote network management software, you can use the Wake on LAN feature. When you set Wake on LAN to **Enabled**, the computer will turn on when it receives a specific signal from another computer on the local area network (LAN)

---

## Recovering software using the Rescue and Recovery program

The Rescue and Recovery program provides an environment that runs independently of the Windows operating system and is hidden from the Windows operating system. Because the Rescue and Recovery workspace is hidden, it is immune from most virus attacks and provides a safe place to perform rescue and recovery operations that might not be possible in the Windows environment. The following recovery solutions are provided by the Rescue and Recovery program:

- Create Product Recovery discs.
- Create rescue media.
- Back up your hard disk periodically.
- Create a Recovery Repair diskette.

If a problem with the software is encountered, you can use the recovery tools from either the Windows environment or from the Rescue and Recovery workspace to do one of the two recovery operations:

- Rescue files
- Restore your backups

### Starting the Rescue and Recovery workspace

To start the program:

1. If your computer is already on when you start this procedure, shut down the operating system and turn off the computer.
2. Repeatedly press the F11 key as you turn on the computer.

**Note:** If a user password or an administrator password has been set, the Rescue and Recovery workspace is not displayed until you type the password.

3. The Rescue and Recovery workspace is displayed.

Refer to the *Quick Reference* that comes with the computer and the Rescue and Recovery help system for additional information about using the Rescue and Recovery program.



---

## Appendix. Notices

Lenovo may not offer the products, services, or features discussed in this document in all countries. Consult your local Lenovo representative for information on the products and services currently available in your area. Any reference to a Lenovo product, program, or service is not intended to state or imply that only that Lenovo product, program, or service may be used. Any functionally equivalent product, program, or service that does not infringe any Lenovo intellectual property right may be used instead. However, it is the user's responsibility to evaluate and verify the operation of any other product, program, or service.

Lenovo may have patents or pending patent applications covering subject matter described in this document. The furnishing of this document does not give you any license to these patents. You can send license inquiries, in writing, to:

*Lenovo (United States), Inc.  
500 Park Offices Drive, Hwy. 54  
Research Triangle Park, NC 27709  
U.S.A.  
Attention: Lenovo Director of Licensing*

LENOVO GROUP LTD. PROVIDES THIS PUBLICATION "AS IS" WITHOUT WARRANTY OF ANY KIND, EITHER EXPRESS OR IMPLIED, INCLUDING, BUT NOT LIMITED TO, THE IMPLIED WARRANTIES OF NON-INFRINGEMENT, MERCHANTABILITY OR FITNESS FOR A PARTICULAR PURPOSE. Some jurisdictions do not allow disclaimer of express or implied warranties in certain transactions, therefore, this statement may not apply to you.

This information could include technical inaccuracies or typographical errors. Changes are periodically made to the information herein; these changes will be incorporated in new editions of the publication. Lenovo may make improvements and/or changes in the product(s) and/or the program(s) described in this publication at any time without notice.

The products described in this document are not intended for use in implantation or other life support applications where malfunction may result in injury or death to persons. The information contained in this document does not affect or change Lenovo product specifications or warranties. Nothing in this document shall operate as an express or implied license or indemnity under the intellectual property rights of Lenovo or third parties. All information contained in this document was obtained in specific environments and is presented as an illustration. The result obtained in other operating environments may vary.

Lenovo may use or distribute any of the information you supply in any way it believes appropriate without incurring any obligation to you.

Any references in this publication to non-Lenovo Web sites are provided for convenience only and do not in any manner serve as an endorsement of those Web sites. The materials at those Web sites are not part of the materials for this Lenovo product, and use of those Web sites is at your own risk.

Any performance data contained herein was determined in a controlled environment. Therefore, the result obtained in other operating environments may

vary significantly. Some measurements may have been made on development-level systems and there is no guarantee that these measurements will be the same on generally available systems. Furthermore, some measurements may have been estimated through extrapolation. Actual results may vary. Users of this document should verify the applicable data for their specific environment.

---

## Television output notice

The following notice applies to models that have the factory-installed television-output feature.

This product incorporates copyright protection technology that is protected by method claims of certain U.S. patents and other intellectual property rights owned by Macrovision Corporation and other rights owners. Use of this copyright protection technology must be authorized by Macrovision Corporation, and is intended for home and other limited viewing uses only unless otherwise authorized by Macrovision Corporation. Reverse engineering or disassembly is prohibited.

---

## Trademarks

The following terms are trademarks of Lenovo in the United States, other countries, or both:

- Lenovo
- ThinkCentre
- ThinkVantage
- PS/2
- Rescue and Recovery

The following terms are trademarks of International Business Machines Corporation in the United States, other countries, or both:

- Asset ID
- Alert on LAN
- IBM (used under license)
- Wake on LAN

Intel and Pentium are trademarks of Intel Corporation in the United States, other countries, or both.

Microsoft and Windows are trademarks of Microsoft Corporation in the United States, other countries, or both.

Other company, product, or service names may be trademarks or service marks of others.





**ThinkCentre®**

Part Number: 41D4550

Printed in USA

(1P) P/N: 41D4550

