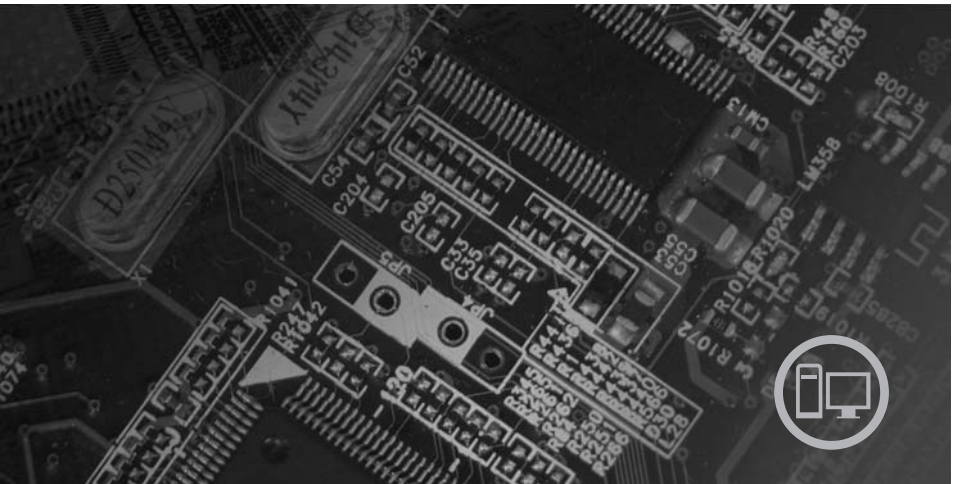




ThinkCentre Safety and Warranty Guide



Inside

- Important safety information**
- Information resources**
- Warranty and other notices**
- Customer Replaceable Units (CRUs)**

lenovo

**ThinkCentre
Safety and Warranty Guide**

Note:

Before using this information and the product it supports, be sure to read the following:

- Chapter 1, "Important safety information," on page 11
- Chapter 3, "Lenovo Limited Warranty," on page 29
- Chapter 6, "Notices," on page 53

First Edition (August 2007)

© Copyright Lenovo 2005, 2007.

Portions © Copyright International Business Machines Corporation 2005.

All rights reserved.

LENOVO products, data, computer software, and services have been developed exclusively at private expense and are sold to governmental entities as commercial items as defined by 48 C.F.R. 2.101 with limited and restricted rights to use, reproduction and disclosure.

LIMITED AND RESTRICTED RIGHTS NOTICE: If products, data, computer software, or services are delivered pursuant a General Services Administration "GSA" contract, use, reproduction, or disclosure is subject to restrictions set forth in Contract No. GS-35F-05925.

Contents

Chapter 1. Important safety information	7
Conditions that require immediate action	7
General safety guidelines	8
Service and upgrades	8
Static electricity prevention	9
Power cords and power adapters	10
Voltage-selection switch.	11
Extension cords and related devices	11
Plugs and outlets	11
External devices	12
Batteries	12
Heat and product ventilation	13
Operating environment.	14
Electrical current safety information	14
Lithium battery notice	15
Modem safety information	16
Laser compliance statement	16
Power supply statement	17
Products with television tuner options installed	17
Note to CATV system installer	17
Example of antenna grounding	18
Data safety	19
Cleaning and maintenance	20
Using headphones or earphones	20
Additional safety information	20
Chapter 2. Information resources	21
Online Books folder	21
ThinkVantage Productivity Center	22
Access Help	22
www.lenovo.com	22
Recording your computer information	23
Chapter 3. Lenovo Limited Warranty	25
Warranty Information	29
Guarantee supplement for Mexico	41
Chapter 4. Worldwide telephone list	43
Chapter 5. Customer Replacement Units.	47
Chapter 6. Notices	49
Television output notice	50

Trademarks	50
Electronic emissions notices	51
Federal Communications Commission (FCC) Declaration of Conformity	51
Industry Canada Class B emission compliance statement	52
European Union EMC Directive conformance statement	52
Korean Class B statement.	53
Japanese VCCI Class B statement	53
Japanese compliance for products less than or equal to 20A per phase	53
Keyboard and mouse compliance statement for Taiwan.	54
Lenovo product service information for Taiwan	54
Federal Communications Commission (FCC) and telephone company requirements	54
Canadian Department of Communications certification label	55
Power cord notice	56
Polyvinyl Chloride (PVC) cable and cord notice	58
China substance disclosure table	59
Waste electrical and electronic equipment (WEEE) notices	59
European Union (EU) WEEE statement	59
Japanese recycling statement.	60
Collecting and recycling a disused Lenovo computer or monitor	60
Disposing of a Lenovo computer component	60
Disposing of disused lithium batteries from Lenovo computers	60
ENERGY STAR model information	61

Table des matières

Avis aux lecteurs canadiens	63
Chapitre 1. Consignes de sécurité	67
Conditions qui nécessitent une action immédiate	1
Consignes générales de sécurité	3
Maintenance et mises à niveau	3
Protection antistatique	4
Cordons et adaptateurs d'alimentation.	5
Commutateur de sélection de tension	6
Prolongateurs et dispositifs associés	6
Fiches et prises	6
Périphériques externes	7
Piles et batteries	7
Chaleur et ventilation des produits	8
Environnement d'exploitation.	9
Informations relatives à la sécurité du courant électrique	10
Pile au lithium	11
Informations relatives au modem	12
Conformité aux normes relatives aux appareils à laser	12
Instruction concernant le bloc d'alimentation	13
Produits disposant de syntoniseurs TV	13
Remarque à l'intention des installateurs de systèmes CATV	14
Exemple de mise à la terre d'une antenne	14
Sécurité des données	15
Entretien et maintenance	16
Utilisation de casques et d'écouteurs	16
Autres consignes de sécurité.	16
Chapitre 2. Sources d'informations.	17
Dossier Online Books	17
ThinkVantage Productivity Center.	18
Access Help	18
www.lenovo.com	19
Tableau d'informations	19
Chapitre 3. Déclaration de Garantie Lenovo.	21
Informations relatives à la Garantie	26
Annexe à la Garantie pour le Mexique	39
Chapitre 4. Liste de numéros de téléphone pour le monde entier	41
Chapitre 5. Unités remplaçables par l'utilisateur	45

Chapitre 6. Remarques	47
Consigne relative à la sortie télévision	48
Marques	49
Bruits radioélectriques	49
Déclaration de conformité de la Federal Communications Commission (FCC)	49
Avis de conformité à la réglementation d'Industrie Canada pour la classe B	50
Avis de conformité à la directive de l'Union européenne	50
Corée - Avis de conformité pour la classe B	50
Japon - Avis de conformité aux exigences du Voluntary Control Council for Interference (VCCI) pour la classe B	51
Avis de conformité aux normes japonaises pour les produits dont l'intensité est inférieure ou égale à 20 A par phase	51
Conformité aux normes relatives au clavier et à la souris pour Taïwan	51
Taïwan - Informations de maintenance pour les produits Lenovo	51
Recommandations de la Federal Communications Commission (FCC) et des entreprises de télécommunications [Etats Unis]	51
Recommandation d'Industrie Canada	53
Cordons d'alimentation	54
Cordons d'alimentation et câbles sous enveloppe de PVC (chlorure de polyvinyle)	56
Restriction des substances dangereuses en Chine	57
Déchets d'Equipements Electriques et Electroniques (DEEE)	57
Avis de conformité à la directive DEEE de l'Union Européenne	57
Japon - Déclaration relative au recyclage	58
Collecte et recyclage d'un ordinateur ou d'un écran Lenovo usagé	58
Mise au rebut de composants d'ordinateur Lenovo	59
Mise au rebut des piles au lithium usagées des ordinateurs Lenovo	59
Informations relatives à ENERGY STAR	59

Inhoudsopgave

Hoofdstuk 1. Belangrijke veiligheidsvoorschriften	127
Situaties waarin onmiddellijk handelen vereist is	1
Algemene veiligheidsrichtlijnen	2
Service en upgrades	3
Voorkoming van statische elektriciteit	4
Netsnoeren en voedingsadapters.	4
Voltageschakelaar.	5
Verlengsnoeren en aanverwante apparaten	6
Stekkers en stopcontacten	6
Externe apparatuur	7
Batterijen	7
Warmteproductie en ventilatie	7
Gebruiksomgeving	8
Veiligheidsvoorschriften voor de elektriciteit.	9
Kennisgeving lithiumbatterij.	10
Veiligheidsvoorschriften voor de modem	11
Verklaring van conformiteit met laserrichtlijnen	11
Kennisgeving voedingseenheid	12
Producten waarin een optionele TV-tuner geïnstalleerd is	12
Opmerking voor de installateur van het kabel-TV-systeem.	12
Voorbeeld van de aarding van een antenne.	13
Veilig omgaan met gegevens.	14
Reiniging en onderhoud	15
Hoofdtelefoons of oortelefoons gebruiken	15
Aanvullende veiligheidsvoorschriften.	15
Hoofdstuk 2. Informatiebronnen.	17
Map Online Boeken	17
ThinkVantage Productivity Center.	18
Access Help	18
www.lenovo.com	19
Computergegevens noteren	19
Hoofdstuk 3. Lenovo Beperkte Garantie	21
Informatie over de garantie	26
Garantiesupplement voor Mexico	37
Hoofdstuk 4. Internationale lijst van telefoonnummers	39
Hoofdstuk 5. Customer Replacement Units	43
Hoofdstuk 6. Kennisgevingen	45
Kennisgeving televisie-uitvoer	46

Handelsmerken	46
Elektronische emissie	47
Verklaring van de Federal Communications Commission (FCC)	47
Verklaring van conformiteit met industriële emissierichtlijn Canada	
Klasse B.	48
Verklaring van conformiteit met EU-richtlijnen	48
Korea: Kennisgeving Klasse B	49
Japan: Kennisgeving VCCI-klasse B	49
Japan: Naleving voor producten met maximaal 20A per fase	50
Taiwan: Verklaring van compliantie voor toetsenbord en muis	50
Taiwan: Informatie over Lenovo productservice	50
Vereisten van de Federal Communications Commission (FCC) en telefoon-	
maatschappijen	50
Waarmerk van het Canadian Department of Communications	51
Kennisgevingen voor het netsnoer.	52
Kennisgeving voor PVC-kabels en -snoeren.	54
China - Tabel gevaarlijke stoffen	55
WEEE-kennisgevingen (Waste Electrical and Electronic Equipment).	55
WEEE-verklaring voor de Europese Unie (EU).	55
Recyclingverklaring voor Japan.	56
Ophalen en recyclen van een Lenovo-computer of -monitor die niet meer	
wordt gebruikt	56
Een onderdeel van een Lenovo-computer weggooien	56
Gebruikte lithiumbatterijen uit een Lenovo-computer weggooien	57
Informatie over ENERGY STAR-modellen	57

Chapter 1. Important safety information

Note

Please read important safety information first.

This information can help you safely use your desktop or notebook personal computer. Follow and retain all information included with your computer. The information in this document does not alter the terms of your purchase agreement or the Lenovo™ Limited Warranty. For more information, refer to Chapter 3, “Lenovo Limited Warranty,” on page 15.

Customer safety is important. Our products are developed to be safe and effective. However, personal computers are electronic devices. Power cords, power adapters, and other features can create potential safety risks that can result in physical injury or property damage, especially if misused. To reduce these risks, follow the instructions included with your product, observe all warnings on the product and in the operating instructions, and review the information included in this document carefully. By carefully following the information contained in this document and provided with your product, you can help protect yourself from hazards and create a safer computer work environment.

Note: This information includes references to power adapters and batteries. In addition to notebook computers, some products (such as speakers and monitors) ship with external power adapters. If you have such a product, this information applies to your product. In addition, computer products contain a coin-sized internal battery that provides power to the system clock even when the computer is unplugged, so the battery safety information applies to all computer products.

Conditions that require immediate action

Products can become damaged due to misuse or neglect. Some product damage is serious enough that the product should not be used again until it has been inspected and, if necessary, repaired by an authorized servicer.

As with any electronic device, pay close attention to the product when it is turned on. On very rare occasions, you might notice an odor or see a puff of smoke or sparks vent from your product. Or you might hear sounds like popping, cracking, or hissing. These conditions might merely mean that an internal electronic component has failed in a safe and controlled manner. Or, they might indicate a potential safety issue. However, do not take risks or attempt to diagnose the situation yourself. Contact the Customer Support

Center for further guidance. For a list of Service and Support phone numbers, see Chapter 4, “Worldwide telephone list,” on page 43.

Frequently inspect your computer and its components for damage, wear, or signs of danger. If you have any question about the condition of a component, do not use the product. Contact the Customer Support Center or the product manufacturer for instructions on how to inspect the product and have it repaired, if necessary.

In the unlikely event that you notice any of the following conditions, or if you have any safety concerns with your product, stop using the product and unplug it from the power source and telecommunication lines until you can speak to the Customer Support Center for further guidance.

- Power cords, plugs, power adapters, extension cords, surge protectors, or power supplies that are cracked, broken, or damaged.
- Signs of overheating, smoke, sparks, or fire.
- Damage to a battery (such as cracks, dents, or creases), discharge from a battery, or a buildup of foreign substances on the battery.
- A cracking, hissing, or popping sound, or strong odor that comes from the product.
- Signs that liquid has been spilled or an object has fallen onto the computer product, the power cord, or power adapter.
- The computer product, power cord, or power adapter has been exposed to water.
- The product has been dropped or damaged in any way.
- The product does not operate normally when you follow the operating instructions.

Note: If you notice these conditions with a product (such as an extension cord) that is not manufactured for or by Lenovo, stop using that product until you can contact the product manufacturer for further instructions, or until you get a suitable replacement.

General safety guidelines

Always observe the following precautions to reduce the risk of injury and property damage.

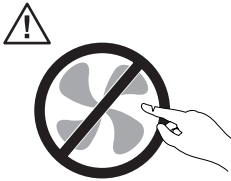
Service and upgrades

Do not attempt to service a product yourself unless instructed to do so by the Customer Support Center or your documentation. Only use a service provider who is approved to repair your particular product.

Note: Some computer parts can be upgraded or replaced by the customer. Upgrades typically are referred to as options. Replacement parts approved for customer installation are referred to as Customer Replaceable Units, or CRUs. Lenovo provides documentation with instructions when it is appropriate for customers to install options or replace CRUs. You must closely follow all instructions when installing or replacing parts. The Off state of a power indicator does not necessarily mean that voltage levels inside a product are zero. Before you remove the covers from a product equipped with an ac power cord, always make sure that the power is turned off and that the product is unplugged from any power source. For more information on CRUs, refer to the User Guide for this product. If you have any questions or concerns, contact the Customer Support Center.

Although there are no moving parts in your computer after the power cord has been disconnected, the following warnings are required for your safety.

Danger



Hazardous moving parts. Keep fingers and other body parts away.

Attention



Before replacing any CRUs, turn off the computer and wait three to five minutes to let the computer cool before opening the cover.

Static electricity prevention

Static electricity, although harmless to you, can seriously damage computer components and options. Improper handling of static-sensitive parts can cause damage to the part. When you unpack an option or CRU, do not open the static-protective package containing the part until the instructions direct you to install it.

When you handle options or CRUs, or perform any work inside the computer, take the following precautions to avoid static-electricity damage:

- Limit your movement. Movement can cause static electricity to build up around you.
- Always handle components carefully. Handle adapters, memory modules, and other circuit boards by the edges. Never touch exposed circuitry.
- Prevent others from touching components.
- When you install a static-sensitive option or CRU, touch the static-protective package containing the part to a metal expansion-slot cover or other unpainted metal surface on the computer for at least two seconds. This reduces static electricity in the package and your body.
- When possible, remove the static-sensitive part from the static-protective packaging and install the part without setting it down. When this is not possible, place the static-protective packaging on a smooth, level surface and place the part on it.
- Do not place the part on the computer cover or other metal surface.

Power cords and power adapters

Use only the power cords and power adapters supplied by the product manufacturer.

The power cords shall be safety approved. For Germany, it shall be H05VV-F, 3G, 0.75 mm², or better. For other countries, the suitable types shall be used accordingly.

Never wrap a power cord around a power adapter or other object. Doing so can stress the cord in ways that can cause the cord to fray, crack, or crimp. This can present a safety hazard.

Always route power cords so that they will not be walked on, tripped over, or pinched by objects.

Protect power cord and power adapters from liquids. For instance, do not leave your power cord or power adapter near sinks, tubs, toilets, or on floors that are cleaned with liquid cleansers. Liquids can cause a short circuit, particularly if the power cord or power adapter has been stressed by misuse. Liquids also can cause gradual corrosion of power cord terminals and/or the connector terminals on a power adapter, which can eventually result in overheating.

Always connect power cords and signal cables in the correct order and ensure that all power cord connectors are securely and completely plugged into receptacles.

Do not use any power adapter that shows corrosion at the ac input pins or shows signs of overheating (such as deformed plastic) at the ac input or anywhere on the power adapter.

Do not use any power cords where the electrical contacts on either end show signs of corrosion or overheating or where the power cord appears to have been damaged in any way.

Voltage-selection switch

Some computers are equipped with a voltage-selection switch located near the power-cord connection point on the computer. If your computer has a voltage-selection switch, ensure that you set the switch to match the voltage available at your electrical outlet. Setting the voltage-selection switch incorrectly can cause permanent damage to the computer.

If your computer does not have a voltage-selection switch, your computer is designed to operate only at the voltage provided in the country or region where the computer was originally purchased.

If you relocate your computer to another country, be aware of the following:

- If your computer does not have a voltage-selection switch, do not connect the computer to an electrical outlet until you have verified that the voltage provided is the same as it was in the country or region where the computer was originally purchased.
- If your computer has a voltage selection switch, do not connect the computer to an electrical outlet until you have verified that the voltage-selection switch is set to match the voltage provided in that country or region.

If you are not sure of the voltage provided at your electrical outlet, contact your local electric company or refer to official Web sites or other literature for travelers to the country or region where you are located.

Extension cords and related devices

Ensure that extension cords, surge protectors, uninterruptible power supplies, and power strips that you use are rated to handle the electrical requirements of the product. Never overload these devices. If power strips are used, the load should not exceed the power strip input rating. Consult an electrician for more information if you have questions about power loads, power requirements, and input ratings.

Plugs and outlets

If a receptacle (power outlet) that you intend to use with your computer equipment appears to be damaged or corroded, do not use the outlet until it is replaced by a qualified electrician.

Do not bend or modify the plug. If the plug is damaged, contact the manufacturer to obtain a replacement.

Do not share an electrical outlet with other home or commercial appliances that draw large amounts of electricity; otherwise, unstable voltage might damage your computer, data, or attached devices.

Some products are equipped with a three-pronged plug. This plug fits only into a grounded electrical outlet. This is a safety feature. Do not defeat this safety feature by trying to insert it into a non-grounded outlet. If you cannot insert the plug into the outlet, contact an electrician for an approved outlet adapter or to replace the outlet with one that enables this safety feature. Never overload an electrical outlet. The overall system load should not exceed 80 percent of the branch circuit rating. Consult an electrician for more information if you have questions about power loads and branch circuit ratings.

Be sure that the power outlet you are using is properly wired, easily accessible, and located close to the equipment. Do not fully extend power cords in a way that will stress the cords.

Be sure that the power outlet provides the correct voltage and current for the product you are installing.

Carefully connect and disconnect the equipment from the electrical outlet.

External devices

Do not connect or disconnect any external device cables other than USB and 1394 cables while the computer power is on; otherwise, you might damage your computer. To avoid possible damage to attached devices, wait at least five seconds after the computer is shut down to disconnect external devices.

Batteries

All personal computers manufactured by Lenovo contain a non-rechargeable coin cell battery to provide power to the system clock. In addition, many mobile products, such as notebook computers, utilize a rechargeable battery pack to provide system power when in portable mode. Batteries supplied by Lenovo for use with your product have been tested for compatibility and should only be replaced with approved parts.

Never attempt to open or service any battery. Do not crush, puncture, or incinerate batteries or short circuit the metal contacts. Do not expose the battery to water or other liquids. Only recharge the battery pack strictly according to instructions included in the product documentation.

Battery abuse or mishandling can cause the battery to overheat, which can cause gasses or flame to “vent” from the battery pack or coin cell. If your battery is damaged, or if you notice any discharge from your battery or the buildup of foreign materials on the battery leads, stop using the battery and obtain a replacement from the battery manufacturer.

Batteries can degrade when they are left unused for long periods of time. For some rechargeable batteries (particularly Lithium Ion batteries), leaving a battery unused in a discharged state could increase the risk of a battery short circuit, which could shorten the life of the battery and can also pose a safety hazard. Do not let rechargeable Lithium-Ion batteries completely discharge or store these batteries in a discharged state.

Heat and product ventilation

Computers, AC adapters, and many accessories can generate heat when turned on and when batteries are charging. Always follow these basic precautions:

- Do not leave your computer, AC adapter, or accessories in contact with your lap or any part of your body for an extended period when the products are functioning or when the battery is charging. Your computer, AC adapter, and many accessories produce some heat during normal operation. Extended contact with the body could cause discomfort or, potentially, a skin burn.
- Do not charge the battery or operate your computer, AC adapter, or accessories near flammable materials or in explosive environments.
- Ventilation slots, fans, and heat sinks are provided with the product for safety, comfort, and reliable operation. These features might inadvertently become blocked by placing the product on a bed, sofa, carpet, or other flexible surface. Never block, cover, or disable these features.

Inspect your desktop computer for dust accumulation at least once every three months. Before inspecting your computer, turn off the power and unplug the computer’s power cord from the electrical outlet; then remove any dust from vents and perforations in the bezel. If you notice external dust accumulation, then examine and remove dust from the inside of the computer including heat sink inlet fins, power supply vents, and fans. Always turn off and unplug the computer before opening the cover. If possible, avoid operating your computer within 2 feet of high-traffic areas. If you must operate your computer in or near a high-traffic area, inspect and, if necessary, clean your computer more frequently.

For your safety and to maintain optimum computer performance, always follow these basic precautions with your desktop computer:

- Keep the cover closed whenever the computer is plugged in.
- Regularly inspect the outside of the computer for dust accumulation.
- Remove dust from vents and any perforations in the bezel. More frequent cleaning might be required for computers in dusty or high-traffic areas.

- Do not restrict or block any ventilation openings.
- Do not store or operate your computer inside furniture, as this might increase the risk of overheating.
- Airflow temperatures into the computer should not exceed 35° C (95° F).
- Do not use non-desktop air filtration devices.

Operating environment

The optimal environment in which to use your computer is 10°C-35°C (50°F-95°F) with humidity ranging between 35% and 80%. If your computer is stored or transported in temperatures less than 10°C (50°F), allow the cold computer to rise slowly to an optimal operating temperature of 10°C-35°C (50°F-95°F) before use. This process could take two hours in extreme conditions. Failure to allow your computer to rise to an optimal operating temperature before use could result in irreparable damage to your computer.

If possible, place your computer in a well-ventilated and dry area without direct exposure to sunshine.

Keep electrical appliances such as an electric fan, radio, high-powered speakers, air conditioner, and microwave oven away from your computer because the strong magnetic fields generated by these appliances can damage the monitor and data on the hard disk drive.

Do not place any beverages on top of or beside the computer or other attached devices. If liquid is spilled on or in the computer or an attached device, a short circuit or other damage might occur.

Do not eat or smoke over your keyboard. Particles that fall into your keyboard can cause damage.

Electrical current safety information

Danger

Electrical current from power, telephone, and communication cables is hazardous.

To avoid a shock hazard:

- To prevent possible shock hazard, do not use your computer during a lightning storm.
- Do not connect or disconnect any cables or perform installation, maintenance, or reconfiguration of this product during an electrical storm.

- Connect all power cords to a properly wired and grounded electrical outlet.
- Connect to properly wired outlets any equipment that will be attached to this product.
- When possible, use one hand only to connect or disconnect signal cables.
- Never turn on any equipment when there is evidence of fire, water, or structural damage.
- Disconnect the attached power cords, telecommunications systems, networks, and modems before you open the device covers, unless instructed otherwise in the installation and configuration procedures.
- Connect and disconnect cables as described in the following table when installing, moving, or opening covers on this product or attached devices.

<p>To connect:</p> <ol style="list-style-type: none"> 1. Turn everything OFF. 2. First, attach all cables to devices. 3. Attach signal cables to connectors. 4. Attach power cords to outlet. 5. Turn device ON. 	<p>To disconnect:</p> <ol style="list-style-type: none"> 1. Turn everything OFF. 2. First, remove power cords from outlet. 3. Remove signal cables from connectors. 4. Remove all cables from devices.
--	---

Lithium battery notice

<p>Caution Danger of explosion if battery is incorrectly replaced.</p>

When replacing the lithium coin cell battery, use only the same or an equivalent type that is recommended by the manufacturer. The battery contains lithium and can explode if not properly used, handled, or disposed of.

Do not:

- Throw or immerse into water
- Heat to more than 100°C (212°F)
- Repair or disassemble

Dispose of the battery as required by local ordinances or regulations.

The following statement applies to users in the state of California, U.S.A.

Perchlorate material: Special handling may apply. See www.dtsc.ca.gov/hazardouswaste/perchlorate.

Modem safety information

Caution

To reduce the risk of fire, use only No. 26 AWG or larger telecommunication line cord.

To reduce the risk of fire, electrical shock, or injury when using telephone equipment, always follow basic safety precautions, such as:

- Never install telephone wiring during a lightning storm.
- Never install telephone jacks in wet locations unless the jack is specifically designed for wet locations.
- Never touch uninsulated telephone wires or terminals unless the telephone line has been disconnected at the network interface.
- Use caution when installing or modifying telephone lines.
- Avoid using a telephone (other than a cordless type) during an electrical storm. There may be a remote risk of electric shock from lightning.
- Do not use the telephone to report a gas leak in the vicinity of the leak.

Laser compliance statement

Some personal computer models are equipped from the factory with a CD or DVD drive. CD and DVD drives are also sold separately as options. CD and DVD drives are laser products. These drives are certified in the U.S. to conform to the requirements of the Department of Health and Human Services 21 Code of Federal Regulations (DHHS 21 CFR) Subchapter J for Class 1 laser products. Elsewhere, these drives are certified to conform to the requirements of the International Electrotechnical Commission (IEC) 60825-1 and CENELEC EN 60825-1 for Class 1 laser products.

When a CD or DVD drive is installed, note the following handling instructions.

Caution

Use of controls or adjustments or performance of procedures other than those specified herein might result in hazardous radiation exposure.

Do not remove the drive covers. Removing the covers of the CD or DVD drive could result in exposure to hazardous laser radiation. There are no serviceable parts inside the CD or DVD drive.

Some CD and DVD drives contain an embedded Class 3A or Class 3B laser diode. Note the following statement.

Danger

Laser radiation when open. Do not stare into the beam, do not view directly with optical instruments, and avoid direct exposure to the beam.

Power supply statement

Never remove the cover on a power supply or any part that has the following label attached.



Hazardous voltage, current, and energy levels are present inside any component that has this label attached. There are no serviceable parts inside these components. If you suspect a problem with one of these parts, contact a service technician.

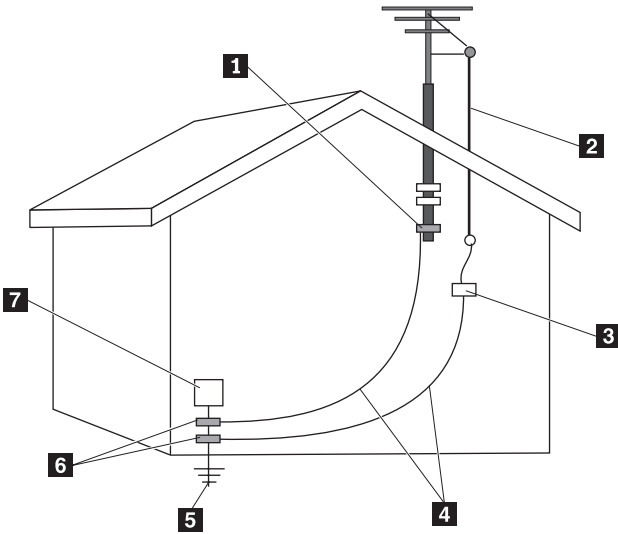
Products with television tuner options installed

The notice below applies to products containing television (TV) tuner devices that connect to external antennas or to cable/CATV systems, or both, and that are intended to be installed in North America. Users and installers in other countries should follow local codes and ordinances when installing appliances that connect to external antennas and cable/CATV systems. If local codes are not applicable, it is recommended that users/installers follow guidelines similar to those that follow.

Note to CATV system installer

This reminder is provided to call the CATV system installer's attention to Article 820-40 of the National Electrical Code (NEC) that provides guidelines for proper grounding and, in particular, specifies that the cable ground shall be connected to the grounding system of the building, as close as possible to the point of cable entry as practical.

Example of antenna grounding



- | | | | |
|----------|---|----------|--|
| 1 | Ground clamp | 5 | Power service grounding electrode system (NEC Article 250, Part H) |
| 2 | Antenna lead-in wire | 6 | Ground clamps |
| 3 | Antenna discharge unit (NEC Section 810-20) | 7 | Electronic service equipment |
| 4 | Grounding conductors (NEC Section 810-21) | | |

Figure 1. Proper grounding for the cable

The following notice applies to all countries and regions:

Danger



Outdoor antenna grounding

If an outside antenna or cable system is connected to the equipment, be sure the antenna or cable system is grounded as to provide some protection against voltage surges and built-up static charges.

Lightning

For added protection for this equipment during a lightning storm, or when it is left unattended and unused for long periods of time, unplug it from the wall outlet and disconnect the antenna or cable system. This will prevent damage to the video product due to lightning and power line surges.

Power lines

An outside antenna system should not be located in the vicinity of overhead power lines or where it can fall into such power lines or circuits. When installing an outside antenna system, extreme care should be taken to keep from touching such power lines or circuits, as contact with them may be fatal.

Data safety

Do not delete unknown files or change the name of files or directories that were not created by you; otherwise, your computer software might fail to work.

Be aware that accessing network resources can leave your computer vulnerable to computer viruses, hackers, spyware, and other malicious activities that might damage your computer, software, or data. It is your responsibility to ensure that you have adequate protection in the form of firewalls, antivirus software, and anti-spyware software and keep this software up to date.

Cleaning and maintenance

Keep your computer and workspace clean. Shut down the computer and then disconnect the power cord before cleaning the computer. Do not spray any liquid detergent directly on the computer or use any detergent containing flammable material to clean the computer. Spray the detergent on a soft cloth and then wipe the computer surfaces.

Using headphones or earphones

If your computer has both a headphone connector and an audio-out connector, always use the headphone connector for headphones (also called a headset) or earphones.

Excessive sound pressure from earphones and headphones can cause hearing loss. Adjustment of the equalizer to maximum increases the earphones and headphones output voltage and therefore the sound pressure level.

Excessive use of headphones or earphones for a long period of time at high volume can be dangerous if the headphones or earphones do not comply with specifications of EN 50332-2. The headphone output connector of your computer complies with EN 50332-2 Sub clause 5.1. This specification limits the computer's maximum wide band true RMS output voltage to 150 mV. To help protect against hearing loss, ensure that the headphones or earphones you use also comply with EN 50332-2 (Sub clause 6.1) for a wide band characteristic voltage of 75 mV. Using headphones that do not comply with EN 50332-2 can be dangerous due to excessive sound pressure levels.

If your Lenovo computer came with headphones or earphones in the package, as a set, the combination of the headphones or earphones and the computer already complies with the specifications of EN 50332-1. If different headphones or earphones are used, ensure that they comply with EN 50332-2. (Sub clause 6.1) for a wide band characteristic voltage of 75 mV. Using headphones that do not comply with EN 50332-2 can be dangerous due to excessive sound pressure levels.

Additional safety information

Plastic bags can be dangerous. Keep plastic bags away from babies and children to avoid danger of suffocation.

Chapter 2. Information resources

After you have set up your computer using the provided setup poster, you can use the information in this chapter to access useful resources relating to your computing needs.

Online Books folder

The Online Books folder provides publications to help you set up and use your computer. The Online Books folder is preinstalled on your computer and requires no Internet access to view the publications. The following publications are available in the Online Books folder:

- *User Guide*
This publication provides information on setting up your computer, installing options, recovering software, using the Setup Utility, updating system programs, and troubleshooting problems.
- *Hardware Installation and Replacement Guide*
This publication provides step-by-step instructions for replacing Customer Replacement Units (CRUs) in your computer. CRUs are computer parts that can be upgraded or replaced by the customer.
- *IBM Lotus® Software Offer Publet*
This publication provides license and ordering information for specified Lotus products.

To view a publication, open the **Start** menu from the Windows desktop, select **All Programs**, select **Online Books**, and click **Online Books**. Double-click on the appropriate publication for your computer. The publications also are available on the Lenovo Web site at <http://www.lenovo.com>.

Notes:

1. These publications are in Portable Document Format (PDF), which requires Adobe Acrobat Reader to be installed. If Adobe Acrobat Reader has not yet been installed on your computer, a message will appear when you attempt to view the PDF file and you will be guided through the Adobe Acrobat Reader installation.
2. The publications that are preinstalled on your computer are available in other languages on the Lenovo Support Web site at <http://www.lenovo.com/support/>.
3. If you want to install a different language version of Adobe Acrobat Reader than the version provided on your computer, go to the Adobe Web site at <http://www.adobe.com> and download the version you want to use.

ThinkVantage Productivity Center

The ThinkVantage® Productivity Center program guides you to a host of information sources and tools designed to make computing simpler and more secure while helping to reduce costs and increase productivity. The ThinkVantage Productivity Center program helps you set up, understand, and enhance your computer.

The ThinkVantage Productivity Center program provides information about your computer and easy access to various technologies, such as:

- The Rescue and Recovery™ program
- Productivity Center
- Client Security Solutions
- Factory Recovery
- System Updates
- Service and support

Note: ThinkVantage Technologies are only available on select Lenovo computers.

To access the ThinkVantage Productivity Center program, open the **Start** menu from the Windows desktop, select **All Programs**, select **ThinkVantage**, and click **Productivity Center**.

Access Help

The Access Help online help system provides information about getting started, doing basic tasks, customizing settings for your personal preference, protecting data, expanding and upgrading, and troubleshooting.

To open Access Help, open the **Start** menu from the Windows desktop, select **All Programs**, select **ThinkVantage**, and click **Access Help**. After you have opened Access Help, use the left panel to make a selection from the Contents or Index tab, or use the Search tab to find a particular word or phrase.

www.lenovo.com

The Lenovo Web site (www.lenovo.com) provides an extensive amount of information and services to help you buy, upgrade, and maintain your computer. You can access the most up-to-date information for your computer on the Lenovo Web site. From the www.lenovo.com Web site, you can also:

- Shop for desktop and notebook computers, monitors, projectors, upgrades and accessories for your computer, and special offers.

- Purchase additional services, such as support for hardware, operating systems, application programs, network setup and configuration, and custom installations.
- Purchase upgrades and extended hardware repair services.
- Download the latest device drivers and software updates for your computer model.
- Access the online manuals for your products.
- Access the Lenovo Limited Warranty.
- Access troubleshooting and support information for your computer model and other supported products.
- Find the service and support phone number for your country or region.
- Find a service provider located near you.

Recording your computer information

Recording information about your computer can be helpful if you ever need to have your computer serviced. The service technician will probably ask you for this information.

The machine type, model, and serial number are labeled on your computer. Use the following table to record this information.

Product name	_____
Machine type and model	_____
Serial number (S/N)	_____
Date of purchase	_____

You can register your computer over the Internet at the following Web site:

<http://www.lenovo.com/register>

When you register your computer, you will receive the following benefits:

- Faster service when you call for help
- Automatic notification of free software and special promotional offers

For more information about registering your computer, refer to the Access Help online help system. See “Access Help” on page 26 for instructions on how to open the online help system.

Chapter 3. Lenovo Limited Warranty

L505-0010-00 09/2006

This Lenovo Limited Warranty applies only to Lenovo hardware products you purchased for your own use and not for resale. This warranty may sometimes be referred to as the "Statement of Limited Warranty" (SOLW) in other documents from Lenovo.

What this Warranty Covers

Lenovo warrants that each hardware product is free from defects in materials and workmanship under normal use during the warranty period. The warranty period for the product starts on the original date of purchase specified on your invoice unless Lenovo informs you otherwise in writing. The warranty period and type of warranty service that apply to your product are designated below under the section titled "**Warranty Information.**"

THIS WARRANTY IS YOUR EXCLUSIVE WARRANTY AND REPLACES ALL OTHER WARRANTIES OR CONDITIONS, EXPRESS OR IMPLIED, INCLUDING, BUT NOT LIMITED TO, THE IMPLIED WARRANTIES OR CONDITIONS OF MERCHANTABILITY AND FITNESS FOR A PARTICULAR PURPOSE. SOME STATES OR JURISDICTIONS DO NOT ALLOW THE EXCLUSION OF EXPRESS OR IMPLIED WARRANTIES, SO THE ABOVE EXCLUSION MAY NOT APPLY TO YOU. IN THAT EVENT, SUCH WARRANTIES APPLY ONLY TO THE EXTENT REQUIRED BY LAW AND ARE LIMITED IN DURATION TO THE WARRANTY PERIOD. NO WARRANTIES APPLY AFTER THAT PERIOD. SOME STATES OR JURISDICTIONS DO NOT ALLOW LIMITATIONS ON HOW LONG AN IMPLIED WARRANTY LASTS, SO THE ABOVE LIMITATION ON DURATION MAY NOT APPLY TO YOU.

How to Obtain Warranty Service

If the product does not function as warranted during the warranty period, you may obtain warranty service by contacting Lenovo or an approved service provider. Each of them is referred to as a "Service Provider." A list of Service Providers and their telephone numbers is available at www.lenovo.com/support/phone.

Warranty service may not be available in all locations and may differ from location to location. Charges may apply outside a Service Provider's normal service area. Contact a local Service Provider for location-specific information.

What Your Service Provider Will Do to Correct Problems

When you contact a Service Provider, you must follow the problem determination and resolution procedures specified.

Your Service Provider will attempt to diagnose and resolve your problem over the telephone or through remote assistance. Your Service Provider may direct you to download and install designated software updates.

Some problems can be resolved with a replacement part that you install yourself (such as keyboard, mouse, speaker, memory, hard disk drive, or port replicator), called a "Customer Replaceable Unit" or "CRU." If so, your Service Provider will ship the CRU to you for you to install.

If your problem cannot be resolved over the telephone or remotely, through your application of software updates, or with a CRU, your Service Provider will arrange for service under the type of warranty service designated for the product under the section titled "**Warranty Information.**"

If your Service Provider determines that it is unable to repair your product, your Service Provider will replace it with one that is at least functionally equivalent.

If your Service Provider determines that it is unable to either repair or replace your product, your sole remedy is to return the product to your place of purchase or to Lenovo and your purchase price will be refunded.

Exchange of a Product or Part

When the warranty service involves the exchange of a product or part, the item your Service Provider replaces becomes Lenovo's property and the replacement becomes yours. All removed items must be genuine and unaltered. The replacement may not be new, but will be in good working order and at least functionally equivalent to the item replaced. The replacement assumes the warranty status of the replaced item.

Before your Service Provider exchanges a product or part, you agree to:

1. remove all features, parts, options, alterations, and attachments not under warranty service;
2. ensure that the product is free of any legal obligations or restrictions that prevent its exchange; and
3. obtain authorization from the owner to have your Service Provider service a product that you do not own.

Your Additional Responsibilities

Where applicable, before service is provided, you agree to:

1. follow the service request procedures that your Service Provider specifies;
2. backup or secure all programs and data contained in the product;
3. provide your Service Provider with all system keys or passwords and sufficient, free, and safe access to your facilities to permit the terms of this warranty to be fulfilled; and
4. ensure that all information about identified or identifiable individuals ("Personal Data") is deleted from the product or that, with respect to any remaining Personal Data you did not delete, you are in compliance with all applicable laws.

Use of Personal Information

If you obtain service under this warranty, Lenovo will store, use, and process information about your warranty issue and your contact information, including name, phone numbers, address, and e-mail address. Lenovo will use this information to perform service under this warranty and to improve our business relationship with you, such as to conduct internal reviews of the efficiency of the warranty service we provide to you. We may contact you to inquire about your satisfaction regarding our warranty service or to notify you about any product recalls or safety issues. In accomplishing these purposes, we may transfer your information to any country where we do business and may provide it to entities acting on our behalf. We also may disclose it where required by law or legal authorities to do so.

What this Warranty Does not Cover

This warranty does not cover the following:

- uninterrupted or error-free operation of a product;
- loss of, or damage to, your data;
- any software programs, whether provided with the product or installed subsequently;
- failure or damage resulting from misuse, accident, modification, unsuitable physical or operating environment, natural disasters, power surges, or improper maintenance by you;
- any third party products, including those that Lenovo may procure and provide with or integrate into the Lenovo product at your request; and
- any technical or other support, such as assistance with "how-to" questions and those regarding product set-up and installation.

This warranty is voided by removal or alteration of identification labels on the product or its parts.

Limitation of Liability

Lenovo is responsible for loss of, or damage to, your product only while it is 1) in your Service Provider's possession or 2) in transit in those cases in which the Service Provider is responsible for the transportation.

Neither Lenovo nor your Service Provider is responsible for any of your data including confidential, proprietary, or personal data contained in a product. You should remove and/or backup all such information from the product prior to its service or return.

Circumstances may arise where, because of a default on Lenovo's part or other liability, you may be entitled to recover damages from Lenovo. In each such instance, regardless of the basis on which you are entitled to claim damages from Lenovo (including fundamental breach, negligence, misrepresentation, or other contract or tort claim), except and to the extent that liability cannot be waived or limited by applicable laws, Lenovo is liable for no more than the amount of actual direct damages suffered by you, up to the amount you paid for the product. This limit does not apply to damages for bodily injury (including death) and damage to real property and tangible personal property for which Lenovo is required by law to be liable.

This limit also applies to Lenovo's suppliers, resellers, and your Service Provider. It is the maximum for which Lenovo, its suppliers, resellers, and your Service Provider are collectively responsible.

UNDER NO CIRCUMSTANCES IS LENOVO, ITS SUPPLIERS, RESELLERS, OR SERVICE PROVIDERS LIABLE FOR ANY OF THE FOLLOWING EVEN IF INFORMED OF THEIR POSSIBILITY: 1) THIRD PARTY CLAIMS AGAINST YOU FOR DAMAGES; 2) LOSS OF, OR DAMAGE TO, YOUR DATA; OR 3) SPECIAL, INCIDENTAL, OR INDIRECT DAMAGES OR FOR ANY ECONOMIC CONSEQUENTIAL DAMAGES, INCLUDING LOST PROFITS, BUSINESS REVENUE, GOODWILL, OR ANTICIPATED SAVINGS. SOME STATES OR JURISDICTIONS DO NOT ALLOW THE EXCLUSION OR LIMITATION OF INCIDENTAL OR CONSEQUENTIAL DAMAGES, SO THE ABOVE LIMITATION OR EXCLUSION MAY NOT APPLY TO YOU.

Dispute Resolution

If you acquired the product in **Cambodia, Indonesia, Philippines, Vietnam or Sri Lanka**, disputes arising out of or in connection with this warranty shall be finally settled by arbitration held in Singapore and this warranty shall be governed, construed and enforced in accordance with the laws of Singapore, without regard to conflict of laws. If you acquired the product in **India**, disputes arising out of or in connection with this warranty shall be finally settled by arbitration held in Bangalore, India. Arbitration in Singapore shall be held in accordance with the Arbitration Rules of Singapore International

Arbitration Center ("SIAC Rules") then in effect. Arbitration in India shall be held in accordance with the laws of India then in effect. The arbitration award shall be final and binding for the parties without appeal and shall be in writing and set forth the findings of fact and the conclusions of law. All arbitration proceedings shall be conducted, including all documents presented in such proceedings, in the English language, and the English language version of this warranty prevails over any other language version in such proceedings.

Other Rights

THIS WARRANTY GIVES YOU SPECIFIC LEGAL RIGHTS AND YOU MAY HAVE OTHER RIGHTS WHICH VARY FROM STATE TO STATE OR JURISDICTION TO JURISDICTION. YOU ALSO MAY HAVE OTHER RIGHTS UNDER APPLICABLE LAW OR WRITTEN AGREEMENT WITH LENOVO. NOTHING IN THIS WARRANTY AFFECTS STATUTORY RIGHTS, INCLUDING RIGHTS OF CONSUMERS UNDER NATIONAL LEGISLATION GOVERNING THE SALE OF CONSUMER GOODS THAT CANNOT BE WAIVED OR LIMITED BY CONTRACT.

European Economic Area (EEA)

Customers in the EEA may contact Lenovo at the following address: Lenovo Warranty & Service Quality Dept., PO Box 19547, Inverkip Road, Greenock, Scotland PA16 9WX. Service under this warranty for Lenovo hardware products purchased in EEA countries may be obtained in any EEA country in which the product has been announced and made available by Lenovo.

This Lenovo Limited Warranty is available in other languages at www.lenovo.com/warranty.

Warranty Information

Machine Type	Country or Region of Purchase	Warranty Period	Type of Warranty Service
6008	Europe, Middle East, Africa, Australia, New Zealand, Singapore, India, Malaysia, Thailand, Indonesia, Philippines, Vietnam, Brunei, Sri Lanka, Bangladesh, Korea, (PRC) China, China (Hong Kong S.A.R.), Taiwan	Parts and labor - 1 year	1 and 2
	Japan	Parts and labor - 1 year	1 and 3

Machine Type	Country or Region of Purchase	Warranty Period	Type of Warranty Service
6010	Latin America, Brazil, Europe, Middle East, Africa, Australia, New Zealand, Singapore, India, Malaysia, Thailand, Indonesia, Philippines, Vietnam, Brunei, Sri Lanka, Bangladesh, Korea, (PRC) China, China (Hong Kong S.A.R.), Taiwan	Parts and labor - 1 year	1 and 2
	Japan	Parts and labor - 1 year	1 and 3
6019	Latin America, Brazil, Europe, Middle East, Africa, Australia, New Zealand, Singapore, India, Malaysia, Thailand, Indonesia, Philippines, Vietnam, Brunei, Sri Lanka, Bangladesh, Korea, (PRC) China, China (Hong Kong S.A.R.), Taiwan	Parts and labor - 1 year	1 and 2
	Japan	Parts and labor - 1 year	1 and 3
6062	Latin America, Brazil, Europe, Middle East, Africa, Australia, New Zealand, Singapore, India, Malaysia, Thailand, Indonesia, Philippines, Vietnam, Brunei, Sri Lanka, Bangladesh, Korea, (PRC) China, China (Hong Kong S.A.R.), Taiwan	Parts and labor - 1 year	1 and 2
	Japan	Parts and labor - 1 year	1 and 3
6064	Latin America, Brazil, Europe, Middle East, Africa, Australia, New Zealand, Singapore, India, Malaysia, Thailand, Indonesia, Philippines, Vietnam, Brunei, Sri Lanka, Bangladesh, Korea, (PRC) China, China (Hong Kong S.A.R.), Taiwan	Parts and labor - 1 year	1 and 2
	Japan	Parts and labor - 1 year	1 and 3
6065	Australia, New Zealand, Singapore, India, Malaysia, Thailand, Indonesia, Philippines, Vietnam, Brunei, Sri Lanka, Bangladesh, (PRC) China, China (Hong Kong S.A.R.), Taiwan	Parts - 3 years Labor - 1 year	1 and 2
	Europe, Middle East, Africa	Parts and labor - 3 years	1 and 4

Machine Type	Country or Region of Purchase	Warranty Period	Type of Warranty Service
6066	Australia, New Zealand, Singapore, India, Malaysia, Thailand, Indonesia, Philippines, Vietnam, Brunei, Sri Lanka, Bangladesh, (PRC) China, China (Hong Kong S.A.R.), Taiwan	Parts - 3 years Labor - 1 year	1 and 2
	Europe, Middle East, Africa	Parts and labor - 3 years	1 and 4
6067	Australia, New Zealand, Singapore, India, Malaysia, Thailand, Indonesia, Philippines, Vietnam, Brunei, Sri Lanka, Bangladesh, (PRC) China, China (Hong Kong S.A.R.), Taiwan	Parts - 3 years Labor - 1 year	1 and 2
	Europe, Middle East, Africa	Parts and labor - 3 years	1 and 4
6068	Australia, New Zealand, Singapore, India, Malaysia, Thailand, Indonesia, Philippines, Vietnam, Brunei, Sri Lanka, Bangladesh, (PRC) China, China (Hong Kong S.A.R.), Taiwan	Parts - 3 years Labor - 1 year	1 and 2
	Europe, Middle East, Africa	Parts and labor - 3 years	1 and 4
6069	Australia, New Zealand, Singapore, India, Malaysia, Thailand, Indonesia, Philippines, Vietnam, Brunei, Sri Lanka, Bangladesh, (PRC) China, China (Hong Kong S.A.R.), Taiwan	Parts - 3 years Labor - 1 year	1 and 2
	Europe, Middle East, Africa	Parts and labor - 3 years	1 and 4
6071	United States, Canada, Latin America, Brazil, Europe, Middle East, Africa, Australia, New Zealand, Singapore, India, Malaysia, Thailand, Indonesia, Philippines, Vietnam, Brunei, Sri Lanka, Bangladesh, Korea, (PRC) China, China (Hong Kong S.A.R.), Taiwan	Parts and labor - 3 years	1 and 2
	Japan	Parts and labor - 1 year	1 and 3

Machine Type	Country or Region of Purchase	Warranty Period	Type of Warranty Service
6072	United States, Canada, Latin America, Brazil, Europe, Middle East, Africa, Australia, New Zealand, Singapore, India, Malaysia, Thailand, Indonesia, Philippines, Vietnam, Brunei, Sri Lanka, Bangladesh, Korea, (PRC) China, China (Hong Kong S.A.R.), Taiwan	Parts and labor - 3 years	1 and 2
	Japan	Parts and labor - 1 year	1 and 3
6073	United States, Canada, Latin America, Brazil, Europe, Middle East, Africa, Australia, New Zealand, Singapore, India, Malaysia, Thailand, Indonesia, Philippines, Vietnam, Brunei, Sri Lanka, Bangladesh, Korea, (PRC) China, China (Hong Kong S.A.R.), Taiwan	Parts and labor - 3 years	1 and 2
	Japan	Parts and labor - 1 year	1 and 3
6074	Europe, Middle East, Africa, Australia, New Zealand, Singapore, India, Malaysia, Thailand, Indonesia, Philippines, Vietnam, Brunei, Sri Lanka, Bangladesh, Korea, (PRC) China, China (Hong Kong S.A.R.), Taiwan	Parts and labor - 3 years	1 and 2
	Japan	Parts and labor - 1 year	1 and 3
6075	United States, Canada, Latin America, Brazil, Europe, Middle East, Africa, Australia, New Zealand, Singapore, India, Malaysia, Thailand, Indonesia, Philippines, Vietnam, Brunei, Sri Lanka, Bangladesh, Korea, (PRC) China, China (Hong Kong S.A.R.), Taiwan	Parts and labor - 3 years	1 and 2
	Japan	Parts and labor - 1 year	1 and 3
6076	United States, Canada, Latin America, Brazil, Europe, Middle East, Africa, Japan, Australia, New Zealand, Singapore, India, Malaysia, Thailand, Indonesia, Philippines, Vietnam, Brunei, Sri Lanka, Bangladesh, Korea, (PRC) China, China (Hong Kong S.A.R.), Taiwan	Parts and labor - 4 years	1 and 2

Machine Type	Country or Region of Purchase	Warranty Period	Type of Warranty Service
6077	United States, Canada, Latin America, Brazil, Europe, Middle East, Africa, Japan, Australia, New Zealand, Singapore, India, Malaysia, Thailand, Indonesia, Philippines, Vietnam, Brunei, Sri Lanka, Bangladesh, Korea, (PRC) China, China (Hong Kong S.A.R.), Taiwan	Parts and labor - 4 years	1 and 2
6078	United States, Canada, Latin America, Brazil, Europe, Middle East, Africa, Japan, Australia, New Zealand, Singapore, India, Malaysia, Thailand, Indonesia, Philippines, Vietnam, Brunei, Sri Lanka, Bangladesh, Korea, (PRC) China, China (Hong Kong S.A.R.), Taiwan	Parts and labor - 4 years	1 and 2
6079	Europe, Middle East, Africa, Japan, Australia, New Zealand, Singapore, India, Malaysia, Thailand, Indonesia, Philippines, Vietnam, Brunei, Sri Lanka, Bangladesh, Korea, (PRC) China, China (Hong Kong S.A.R.), Taiwan	Parts and labor - 4 years	1 and 2
6081	United States, Canada, Latin America, Brazil, Europe, Middle East, Africa, Japan, Australia, New Zealand, Singapore, India, Malaysia, Thailand, Indonesia, Philippines, Vietnam, Brunei, Sri Lanka, Bangladesh, Korea, (PRC) China, China (Hong Kong S.A.R.), Taiwan	Parts and labor - 4 years	1 and 2
6082	Europe, Middle East, Africa, Japan, Australia, New Zealand, Singapore, India, Malaysia, Thailand, Indonesia, Philippines, Vietnam, Brunei, Sri Lanka, Bangladesh, Korea, (PRC) China, China (Hong Kong S.A.R.), Taiwan	Parts and labor - 3 years	1 and 2
6086	United States, Canada, Latin America, Brazil, Europe, Middle East, Africa, Japan, Australia, New Zealand, Singapore, India, Malaysia, Thailand, Indonesia, Philippines, Vietnam, Brunei, Sri Lanka, Bangladesh, Korea, (PRC) China, China (Hong Kong S.A.R.), Taiwan	Parts and labor - 3 years	1 and 2

Machine Type	Country or Region of Purchase	Warranty Period	Type of Warranty Service
6087	United States, Canada, Latin America, Brazil, Europe, Middle East, Africa, Japan, Australia, New Zealand, Singapore, India, Malaysia, Thailand, Indonesia, Philippines, Vietnam, Brunei, Sri Lanka, Bangladesh, Korea, (PRC) China, China (Hong Kong S.A.R.), Taiwan	Parts and labor - 3 years	1 and 2
6088	United States, Canada, Latin America, Brazil, Europe, Middle East, Africa, Japan, Australia, New Zealand, Singapore, India, Malaysia, Thailand, Indonesia, Philippines, Vietnam, Brunei, Sri Lanka, Bangladesh, Korea, (PRC) China, China (Hong Kong S.A.R.), Taiwan	Parts and labor - 3 years	1 and 2
6089	United States, Canada, Latin America, Brazil, Europe, Middle East, Africa, Japan, Australia, New Zealand, Singapore, India, Malaysia, Thailand, Indonesia, Philippines, Vietnam, Brunei, Sri Lanka, Bangladesh, Korea, (PRC) China, China (Hong Kong S.A.R.), Taiwan	Parts and labor - 3 years	1 and 2
9011	Latin America, Brazil, Europe, Middle East, Africa, Australia, New Zealand, Singapore, India, Malaysia, Thailand, Indonesia, Philippines, Vietnam, Brunei, Sri Lanka, Bangladesh, Korea, (PRC) China, China (Hong Kong S.A.R.), Taiwan	Parts and labor - 1 year	1 and 2
	Japan	Parts and labor - 1 year	1 and 3
9012	Europe, Middle East, Africa, Australia, New Zealand, Singapore, India, Malaysia, Thailand, Indonesia, Philippines, Vietnam, Brunei, Sri Lanka, Bangladesh, Korea, (PRC) China, China (Hong Kong S.A.R.), Taiwan	Parts and labor - 1 year	1 and 2
	Japan	Parts and labor - 1 year	1 and 3

Machine Type	Country or Region of Purchase	Warranty Period	Type of Warranty Service
9013	Latin America, Brazil, Europe, Middle East, Africa, Australia, New Zealand, Singapore, India, Malaysia, Thailand, Indonesia, Philippines, Vietnam, Brunei, Sri Lanka, Bangladesh, Korea, (PRC) China, China (Hong Kong S.A.R.), Taiwan	Parts and labor - 1 year	1 and 2
	Japan	Parts and labor - 1 year	1 and 3
9014	Australia, New Zealand, Singapore, India, Malaysia, Thailand, Indonesia, Philippines, Vietnam, Brunei, Sri Lanka, Bangladesh, (PRC) China, China (Hong Kong S.A.R.), Taiwan	Parts - 3 years Labor - 1 year	1 and 2
	Europe, Middle East, Africa	Parts and labor - 3 years	1 and 4
9018	Australia, New Zealand, Singapore, India, Malaysia, Thailand, Indonesia, Philippines, Vietnam, Brunei, Sri Lanka, Bangladesh, (PRC) China, China (Hong Kong S.A.R.), Taiwan	Parts - 3 years Labor - 1 year	1 and 2
	Europe, Middle East, Africa	Parts and labor - 3 years	1 and 4
9019	Australia, New Zealand, Singapore, India, Malaysia, Thailand, Indonesia, Philippines, Vietnam, Brunei, Sri Lanka, Bangladesh, (PRC) China, China (Hong Kong S.A.R.), Taiwan	Parts - 3 years Labor - 1 year	1 and 2
	Europe, Middle East, Africa	Parts and labor - 3 years	1 and 4
9071	United States, Canada, Latin America, Brazil, Europe, Middle East, Africa, Australia, New Zealand, Singapore, India, Malaysia, Thailand, Indonesia, Philippines, Vietnam, Brunei, Sri Lanka, Bangladesh, Korea, (PRC) China, China (Hong Kong S.A.R.), Taiwan	Parts and labor - 3 years	1 and 2
	Japan	Parts and labor - 1 year	1 and 3

Machine Type	Country or Region of Purchase	Warranty Period	Type of Warranty Service
9087	Europe, Middle East, Africa, Australia, New Zealand, Singapore, India, Malaysia, Thailand, Indonesia, Philippines, Vietnam, Brunei, Sri Lanka, Bangladesh, Korea, (PRC) China, China (Hong Kong S.A.R.), Taiwan	Parts and labor - 3 years	1 and 2
	Japan	Parts and labor - 1 year	1 and 3
9088	United States, Canada, Latin America, Brazil, Europe, Middle East, Africa, Australia, New Zealand, Singapore, India, Malaysia, Thailand, Indonesia, Philippines, Vietnam, Brunei, Sri Lanka, Bangladesh, Korea, (PRC) China, China (Hong Kong S.A.R.), Taiwan	Parts and labor - 3 years	1 and 2
	Japan	Parts and labor - 1 year	1 and 3
9089	United States, Canada, Latin America, Brazil, Europe, Middle East, Africa, Japan, Australia, New Zealand, Singapore, India, Malaysia, Thailand, Indonesia, Philippines, Vietnam, Brunei, Sri Lanka, Bangladesh, Korea, (PRC) China, China (Hong Kong S.A.R.), Taiwan	Parts and labor - 4 years	1 and 2
9096	Europe, Middle East, Africa, Japan, Australia, New Zealand, Singapore, India, Malaysia, Thailand, Indonesia, Philippines, Vietnam, Brunei, Sri Lanka, Bangladesh, Korea, (PRC) China, China (Hong Kong S.A.R.), Taiwan	Parts and labor - 4 years	1 and 2
9160	United States, Canada, Latin America, Brazil, Europe, Middle East, Africa, Japan, Australia, New Zealand, Singapore, India, Malaysia, Thailand, Indonesia, Philippines, Vietnam, Brunei, Sri Lanka, Bangladesh, Korea, (PRC) China, China (Hong Kong S.A.R.), Taiwan	Parts and labor - 4 years	1 and 2

Machine Type	Country or Region of Purchase	Warranty Period	Type of Warranty Service
9162	United States, Canada, Latin America, Brazil, Europe, Middle East, Africa, Japan, Australia, New Zealand, Singapore, India, Malaysia, Thailand, Indonesia, Philippines, Vietnam, Brunei, Sri Lanka, Bangladesh, Korea, (PRC) China, China (Hong Kong S.A.R.), Taiwan	Parts and labor - 3 years	1 and 2
9163	Europe, Middle East, Africa, Japan, Australia, New Zealand, Singapore, India, Malaysia, Thailand, Indonesia, Philippines, Vietnam, Brunei, Sri Lanka, Bangladesh, Korea, (PRC) China, China (Hong Kong S.A.R.), Taiwan	Parts and labor - 3 years	1 and 2
9164	United States, Canada, Latin America, Brazil, Europe, Middle East, Africa, Japan, Australia, New Zealand, Singapore, India, Malaysia, Thailand, Indonesia, Philippines, Vietnam, Brunei, Sri Lanka, Bangladesh, Korea, (PRC) China, China (Hong Kong S.A.R.), Taiwan	Parts and labor - 3 years	1 and 2
9172*	Europe, Middle East, Africa, Australia, New Zealand, Singapore, Malaysia, Thailand, Indonesia, Philippines, Vietnam, Brunei, Sri Lanka, Bangladesh, India, Korea, (PRC) China, China (Hong Kong S.A.R.), Taiwan	Parts and labor - 3 years	1 and 2
	Japan	Parts and labor - 1 year	1 and 3
9174*	United States, Canada, Latin America, Brazil, Europe, Middle East, Africa, Japan, Australia, New Zealand, Singapore, India, Malaysia, Thailand, Indonesia, Philippines, Vietnam, Brunei, Sri Lanka, Bangladesh, Korea, (PRC) China, China (Hong Kong S.A.R.), Taiwan	Parts and labor - 3 years	1 and 2
	Japan	Parts and labor - 1 year	1 and 3

Machine Type	Country or Region of Purchase	Warranty Period	Type of Warranty Service
9181*	United States, Canada, Latin America, Brazil, Europe, Middle East, Africa, Japan, Australia, New Zealand, Singapore, India, Malaysia, Thailand, Indonesia, Philippines, Vietnam, Brunei, Sri Lanka, Bangladesh, Korea, (PRC) China, China (Hong Kong S.A.R.), Taiwan	Parts and labor - 3 years	1 and 2
	Japan	Parts and labor - 1 year	1 and 3
9182*	United States, Canada, Latin America, Brazil, Europe, Middle East, Africa, Japan, Australia, New Zealand, Singapore, India, Malaysia, Thailand, Indonesia, Philippines, Vietnam, Brunei, Sri Lanka, Bangladesh, Korea, (PRC) China, China (Hong Kong S.A.R.), Taiwan	Parts and labor - 3 years	1 and 2
	Japan	Parts and labor - 1 year	1 and 3
9193*	Europe, Middle East, Africa, Japan, Australia, New Zealand, Singapore, India, Malaysia, Thailand, Indonesia, Philippines, Vietnam, Brunei, Sri Lanka, Bangladesh, Korea, (PRC) China, China (Hong Kong S.A.R.), Taiwan	Parts and labor - 3 years	1 and 2
	Japan	Parts and labor - 1 year	1 and 3
9194*	United States, Canada, Latin America, Brazil, Europe, Middle East, Africa, Japan, Australia, New Zealand, Singapore, India, Malaysia, Thailand, Indonesia, Philippines, Vietnam, Brunei, Sri Lanka, Bangladesh, Korea, (PRC) China, China (Hong Kong S.A.R.), Taiwan	Parts and labor - 3 years	1 and 2
	Japan	Parts and labor - 1 year	1 and 3

Machine Type	Country or Region of Purchase	Warranty Period	Type of Warranty Service
9196*	United States, Canada, Latin America, Brazil, Europe, Middle East, Africa, Japan, Australia, New Zealand, Singapore, India, Malaysia, Thailand, Indonesia, Philippines, Vietnam, Brunei, Sri Lanka, Bangladesh, Korea, (PRC) China, China (Hong Kong S.A.R.), Taiwan	Parts and labor - 3 years	1 and 2
	Japan	Parts and labor - 1 year	1 and 3
9303*	United States, Canada, Latin America, Brazil, Europe, Middle East, Africa, Japan, Australia, New Zealand, Singapore, India, Malaysia, Thailand, Indonesia, Philippines, Vietnam, Brunei, Sri Lanka, Bangladesh, Korea, (PRC) China, China (Hong Kong S.A.R.), Taiwan	Parts and labor - 3 years	1 and 2
	Japan	Parts and labor - 1 year	1 and 3
9304	Europe, Middle East, Africa	Parts - 3 years	1 and 3
		Labor - 1 year	

* Denotes Energy Star machines

If required, your Service Provider will provide repair or exchange service depending on the type of warranty service specified for your product and the available service. Scheduling of service will depend upon the time of your call, parts availability, and other factors.

A warranty period of 3 years on parts and 1 year on labor means that Lenovo provides warranty service without charge for:

- a. parts and labor during the first year of the warranty period (or a longer period as required by law); and
- b. parts only, on an exchange basis, in the second and third years of the warranty period. Your Service Provider will charge you for any labor provided in performance of the repair or replacement(s) in the second and third year of warranty period.

Types of Warranty Service

1. Customer Replaceable Unit ("CRU") Service

Under CRU Service, your Service Provider will ship CRUs to you for you to install. Most CRUs are easy to install whereas others may require some technical skill and tools. CRU information and replacement instructions are shipped with your product and are available from Lenovo at any time upon request. You may request that a Service Provider install some CRUs under one of the other types of warranty service designated for your product. Installation of external CRUs (such as mice, keyboards, or monitors) is your responsibility. Lenovo specifies in the materials shipped with a replacement CRU whether the defective CRU must be returned. When return is required, 1) return instructions, a prepaid return shipping label, and a container are included with the replacement CRU, and 2) you may be charged for the replacement CRU if your Service Provider does not receive the defective CRU within thirty (30) days of your receipt of the replacement.

2. On-site Service

Under On-Site Service, your Service Provider will either repair or exchange the product at your location. You must provide a suitable working area to allow disassembly and reassembly of the Lenovo product. For some products, certain repairs may require your Service Provider to send the product to a designated service center.

3. Courier or Depot Service

Under Courier or Depot Service, your product will be repaired or exchanged at a designated service center, with shipping arranged by your Service Provider. You are responsible for disconnecting the product. A shipping container will be provided to you for you to return your product to a designated service center. A courier will pick up your product and deliver it to the designated service center. Following its repair or exchange, the service center will arrange the return delivery of the product to you.

4. Customer Carry-In or Mail-In Service

Under Customer Carry-In or Mail-In Service, your product will be repaired or exchanged at a designated service center, with delivery or shipping arranged by you. You are responsible to deliver or mail, as your Service Provider specifies, (prepaid unless specified otherwise) the product suitably packaged to a designated location. After the product has been repaired or exchanged, it will be made available for your collection. Failure to collect the product may result in your Service Provider disposing of the product as it sees fit. For Mail-in Service, the product will be returned to you at Lenovo's expense, unless your Service Provider specifies otherwise.

Guarantee supplement for Mexico

This supplement is considered part of the Lenovo Limited Warranty and shall be effective solely and exclusively for products distributed and commercialized within Territory of the Mexican United States. In the event of a conflict, the terms of this supplement shall apply.

All software programs pre-loaded in the equipment shall only have a thirty-(30) day guarantee for installation defects from the date of purchase. Lenovo is not responsible for the information in such software programs and/or any additional software programs installed by you or installed after purchase of the product.

Services not chargeable to the guarantee shall be charged to the final user, prior an authorization.

In the event that warranty repair is required please call the Customer Support Center at 001-866-434-2080, where you will be directed to the nearest Authorized Service Center. Should no Authorized Service Center exist in your city, location or within 70 kilometers of your city or location, the guarantee includes any reasonable delivery charges related to the transportation of the product to our nearest Authorized Service Center. Please call the nearest Authorized Service Center to obtain the necessary approvals or information concerning the shipment of the product and the shipment address.

To obtain a list of Authorized Service Centers, please visit:

<http://www.lenovo.com/mx/es/servicios>

Manufactured by:

SCI Systems de México, S.A. de C.V.
Av. De la Solidaridad Iberoamericana No. 7020
Col. Club de Golf Atlas
El Salto, Jalisco, México
C.P. 45680,
Tel. 01-800-3676900

Marketing by:

Lenovo de México, Comercialización y
Servicios, S. A. de C. V.
Alfonso Nápoles Gándara No 3111
Parque Corporativo de Peña Blanca
Delegación Álvaro Obregón
México, D.F., México
C.P. 01210,
Tel. 01-800-00-325-00

Chapter 4. Worldwide telephone list

Country or Region	Telephone Number
Africa	Africa: +44 (0)1475-555-055 South Africa: +27-11-3028888 and 0800110756 Central Africa: Contact the nearest Lenovo Business Partner
Argentina	0800-666-0011 (Spanish)
Australia	131-426 (English)
Austria	Up and running support: 01-24592-5901 Warranty service and support: 01-211-454-610 (German)
Belgium	Up and running support: 02-210-9820 (Dutch) Up and running support: 02-210-9800 (French) Warranty service and support: 02-225-3611 (Dutch, French)
Bolivia	0800-10-0189 (Spanish)
Brazil	Sao Paulo region: (11) 3889-8986 Outside Sao Paulo region: 0800-701-4815 (Brazilian Portuguese)
Canada	Toronto: 416-383-3344 Outside Toronto: 1-800-565-3344 (English, French)
Chile	800-361-213 Toll Free: 188-800-442-488 (Spanish)
China	86-10-58851110 800-990-8888 (Mandarin)
China (Hong Kong S.A.R.)	ThinkCentre® Commercial PC: 8205-0333 Multimedia Home PC: 800-938-228 (Cantonese, English, Mandarin)
China (Macau S.A.R.)	ThinkCentre (Technical enquiry hotline): 0800-336 (Cantonese, English, Mandarin)
Colombia	1-800-912-3021 (Spanish)
Costa Rica	0-800-011-1029 (Spanish)
Croatia	0800-0426
Cyprus	+357-22-841100
Czech Republic	+420-2-7213-1316
Denmark	Up and running support: 4520-8200 Warranty service and support: 7010-5150 (Danish)

Country or Region	Telephone Number
Dominican Republic	1-866-434-2080 (Spanish)
Ecuador	1-800-426911 (Spanish)
El Salvador	800-6264 (Spanish)
Estonia	+372 6776793 +372 66 00 800
Finland	Up and running support: 09-459-6960 Warranty service and support: +358-800-1-4260 (Finnish)
France	Up and running support: 0238-557-450 Warranty service and support (hardware): 0810-631-213 Warranty service and support (software): 0810-631-020 (French)
Germany	Up and running support: 07032-15-49201 Warranty service and support: 01805-25-35-58 (German)
Greece	+30-210-680-1700
Guatemala	1800-624-0051 (Spanish)
Honduras	Tegucigalpa: 232-4222 San Pedro Sula: 552-2234 (Spanish)
Hungary	+36-1-382-5720
India	1800-425-6666 +91-80-2678-8970 (English)
Indonesia	800-140-3555 (English) 62-21-251-2955 (Bahasa, Indonesian)
Ireland	Up and running support: 01-815-9202 Warranty service and support: 01-881-1444 (English)
Israel	Givat Shmuel Service Center: +972-3-531-3900 (Hebrew, English)
Italy	Up and running support: 02-7031-6101 Warranty service and support: +39-800-820094 (Italian)

Country or Region	Telephone Number
Japan	Toll Free: 0120-20-5550 International: +81-46-266-4716 The above numbers will be answered with a Japanese language voice prompt. For telephone support in English, please wait for the Japanese voice prompt to end, and an operator will answer. Please say "English support please," and your call will be transferred to an English speaking operator. Computer software: 0120-558-695 Overseas calls: +81-44-200-8666 (Japanese)
Korea	1588-5801 (Korean)
Latvia	+371 7070360
Lithuania	+370 5 278 66 00
Luxembourg	+352-298-977-5063 (French)
Malaysia	1800-88-8558 (English, Bahasa, Melayu)
Malta	+35621445566
Mexico	001-866-434-2080 (Spanish)
Middle East	+44 (0)1475-555-055
Netherlands	+31-20-514-5770 (Dutch)
New Zealand	0800-733-222 (English)
Nicaragua	001-800-220-1830 (Spanish)
Norway	Up and running support: 6681-1100 Warranty service and support: 8152-1550 (Norwegian)
Panama	001-866-434-2080 (Toll Free) 206-6047 (Spanish)
Peru	0-800-50-866 (Spanish)
Philippines	1800-1888-1426 (English) 63-2-995-8420 (Filipino)
Poland	+48-22-878-6999
Portugal	+351-21-892-7147 (Portuguese)
Romania	+4-021-224-4015
Russia	+7-495-258-6300 +8-800-200-6300 (Russian)
Singapore	1800-3172-888 (English, Bahasa, Melayu)

Country or Region	Telephone Number
Slovakia	+421-2-4954-5555
Slovenia	+386-1-4796-699
Spain	91-714-7983 0901-100-000 (Spanish)
Sri Lanka	+9411 2493547 +9411 2493548 (English)
Sweden	Up and running support: 08-477-4420 Warranty service and support: 077-117-1040 (Swedish)
Switzerland	Up and running support: 058-333-0900 Warranty service and support: 0800-55-54-54 (German, French, Italian)
Taiwan	886-2-8723-9799 0800-000-700 (Mandarin)
Thailand	1-800-299-229 (Thai)
Turkey	00800-4463-2041 (Turkish)
United Kingdom	Up and running support: 01475-555-055 Warranty support: 08705-500-900 (English)
United States	1-800-426-7378 (English)
Uruguay	000-411-005-6649 (Spanish)
Venezuela	0-800-100-2011 (Spanish)
Vietnam	For northern area and Hanoi: 84-4-843-6675 For southern area and Ho Chi Minh City: 84-8-829-5160 (English, Vietnamese)

Chapter 5. Customer Replacement Units

Customer Replacement Units (CRUs) are computer parts that can be upgraded or replaced by the customer. There are two types of CRUs: internal and external. External CRUs are easy to install, whereas internal CRUs require some technical skill and in some cases might require tools such as a screwdriver. However, both external and internal CRUs are safe for removal by the customer. Internal CRUs can be removed and installed by customers or by a Lenovo service technician during the warranty period.

Customers are responsible for replacing all external CRUs.

Desktop computers contain external and internal CRUs. External CRUs are located outside the computer. Examples of external CRUs include the keyboard, the mouse, any USB device, and the power cord. Internal CRUs cannot be removed without first opening the cover of the computer. Examples of internal CRUs include memory modules, optical drives, adapter cards, and the power supply.

The *User Guide* and *Hardware Installation and Replacement Guide* provide instructions for replacing External and internal CRUs. Refer to the following tables Table 1 on page 47 to determine which publication contains the instructions you need. To view a publication, open the Start menu from the Windows desktop, select **All Programs**, select **Online Books**, and click **Online Books**. Double-click on the appropriate publication.

The publications also are available on the Lenovo Web site at <http://www.lenovo.com>.

Note: Only use computer parts provided by Lenovo. Refer to Chapter 3, "Lenovo Limited Warranty," on page 25 for warranty information about the CRUs for your machine type.

Table 1. CRU replacement information

CRU	Type	Machine type	Publication
Machine Types: 6008, 6010, 6019, 6062, 6064, 6065, 6066, 6067, 6068, 6069, 6071, 6072, 6073, 6074, 6075, 6076, 6077, 6078, 6079, 6081, 6082, 6086, 6087, 6088, 6089, 9011, 9012, 9013, 9014, 9018, 9019, 9071, 9087, 9088, 9089, 9096, 9160, 9162, 9163, 9164, 9172, 9174, 9181, 9182, 9193, 9194, 9196, 9303, 9304			
Optical Drive	Internal	All machine types for this product.	Hardware Installation and Replacement Guide
Hard disk drive	Internal	All machine types for this product.	Hardware Installation and Replacement Guide

Table 1. CRU replacement information (continued)

Machine Types: 6008, 6010, 6019, 6062, 6064, 6065, 6066, 6067, 6068, 6069, 6071, 6072, 6073, 6074, 6075, 6076, 6077, 6078, 6079, 6081, 6082, 6086, 6087, 6088, 6089, 9011, 9012, 9013, 9014, 9018, 9019, 9071, 9087, 9088, 9089, 9096, 9160, 9162, 9163, 9164, 9172, 9174, 9181, 9182, 9193, 9194, 9196, 9303, 9304			
CRU	Type	Machine type	Publication
Diskette drive	Internal	All machine types for this product.	Hardware Installation and Replacement Guide
Memory	Internal	All machine types for this product.	Hardware Installation and Replacement Guide
Heat sink	Internal	All machine types for this product.	Hardware Installation and Replacement Guide
Power supply	Internal	All machine types for this product except: 6008, 6068, 6074, 6079, 6082, 9012, 9018, 9087, 9096, 9163, 9172, 9193	Hardware Installation and Replacement Guide
Fans	Internal	All machine types for this product.	Hardware Installation and Replacement Guide
Adapter card	Internal	All machine types for this product.	Hardware Installation and Replacement Guide
CMOS battery	Internal	All machine types for this product.	Hardware Installation and Replacement Guide
Mouse	External	All machine types for this product.	User Guide or Hardware Installation and Replacement Guide
Keyboard	External	All machine types for this product.	User Guide or Hardware Installation and Replacement Guide

Chapter 6. Notices

Lenovo may not offer the products, services, or features discussed in this document in all countries. Consult your local Lenovo representative for information on the products and services currently available in your area. Any reference to a Lenovo product, program, or service is not intended to state or imply that only that Lenovo product, program, or service may be used. Any functionally equivalent product, program, or service that does not infringe any Lenovo intellectual property right may be used instead. However, it is the user's responsibility to evaluate and verify the operation of any other product, program, or service.

Lenovo may have patents or pending patent applications covering subject matter described in this document. The furnishing of this document does not give you any license to these patents. You can send license inquiries, in writing, to:

*Lenovo (United States), Inc.
1009 Think Place, Building One
Morrisville, NC 27560
U.S.A.
Attention: Lenovo Director of Licensing*

LENOVO PROVIDES THIS PUBLICATION "AS IS" WITHOUT WARRANTY OF ANY KIND, EITHER EXPRESS OR IMPLIED, INCLUDING, BUT NOT LIMITED TO, THE IMPLIED WARRANTIES OF NON-INFRINGEMENT, MERCHANTABILITY OR FITNESS FOR A PARTICULAR PURPOSE. Some jurisdictions do not allow disclaimer of express or implied warranties in certain transactions, therefore, this statement may not apply to you.

This information could include technical inaccuracies or typographical errors. Changes are periodically made to the information herein; these changes will be incorporated in new editions of the publication. Lenovo may make improvements and/or changes in the product(s) and/or the program(s) described in this publication at any time without notice.

The products described in this document are not intended for use in implantation or other life support applications where malfunction may result in injury or death to persons. The information contained in this document does not affect or change Lenovo product specifications or warranties. Nothing in this document shall operate as an express or implied license or indemnity under the intellectual property rights of Lenovo or third parties. All information contained in this document was obtained in specific environments and is presented as an illustration. The result obtained in other operating environments may vary.

Lenovo may use or distribute any of the information you supply in any way it believes appropriate without incurring any obligation to you.

Any references in this publication to non-Lenovo Web sites are provided for convenience only and do not in any manner serve as an endorsement of those Web sites. The materials at those Web sites are not part of the materials for this Lenovo product, and use of those Web sites is at your own risk.

Any performance data contained herein was determined in a controlled environment. Therefore, the result obtained in other operating environments may vary significantly. Some measurements may have been made on development-level systems and there is no guarantee that these measurements will be the same on generally available systems. Furthermore, some measurements may have been estimated through extrapolation. Actual results may vary. Users of this document should verify the applicable data for their specific environment.

Television output notice

The following notice applies to models that have the factory-installed television-output feature.

This product incorporates copyright protection technology that is protected by method claims of certain U.S. patents and other intellectual property rights owned by Macrovision Corporation and other rights owners. Use of this copyright protection technology must be authorized by Macrovision Corporation, and is intended for home and other limited viewing uses only unless otherwise authorized by Macrovision Corporation. Reverse engineering or disassembly is prohibited.

Trademarks

Lenovo, the Lenovo logo, ThinkVantage, ThinkCentre, and Rescue and Recovery, are trademarks of Lenovo in the United States, other countries, or both.

IBM and Lotus are trademarks of International Business Machines Corporation in the United States, other countries, or both.

Other company, product, or service names may be trademarks or service marks of others.

Electronic emissions notices

The following information refers to Lenovo personal computer machine types: 6008, 6010, 6019, 6062, 6064, 6065, 6066, 6067, 6068, 6069, 6071, 6072, 6073, 6074, 6075, 6076, 6077, 6078, 6079, 6081, 6082, 6086, 6087, 6088, 6089, 9011, 9012, 9013, 9014, 9018, 9019, 9071, 9087, 9088, 9089, 9096, 9160, 9162, 9163, 9164, 9172, 9174, 9181, 9182, 9193, 9194, 9196, 9303, 9304.

Federal Communications Commission (FCC) Declaration of Conformity

This equipment has been tested and found to comply with the limits for a Class B digital device, pursuant to Part 15 of the FCC Rules. These limits are designed to provide reasonable protection against harmful interference in a residential installation. This equipment generates, uses, and can radiate radio frequency energy and, if not installed and used in accordance with the instructions, may cause harmful interference to radio communications. However, there is no guarantee the interference will not occur in a particular installation. If this equipment does cause harmful interference to radio or television reception, which can be determined by turning the equipment off and on, the user is encouraged to try to correct the interference by one or more of the following measures:

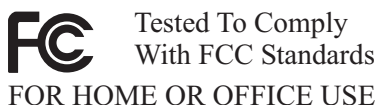
- Reorient or relocate the receiving antenna.
- Increase the separation between the equipment and receiver.
- Connect the equipment into an outlet on a circuit different from that to which the receiver is connected.
- Consult an authorized dealer or service representative for help.

Lenovo is not responsible for any radio or television interference caused by using other than recommended cables or connectors or by unauthorized changes or modifications to this equipment. Unauthorized changes or modifications could void the user's authority to operate the equipment.

This device complies with Part 15 of the FCC Rules. Operation is subject to the following two conditions: (1) this device may not cause harmful interference, and (2) this device must accept any interference received, including interference that may cause undesired operation.

Responsible party:

Responsible party:
Lenovo (United States) Inc.
1009 Think Place - Building One
Morrisville, NC 27560
U.S.A.
Telephone: (919) 294-5900



Tested To Comply
With FCC Standards

FOR HOME OR OFFICE USE

Industry Canada Class B emission compliance statement

This Class B digital apparatus complies with Canadian ICES-003.

Cet appareil numérique de la classe B est conforme à la norme NMB-003 du Canada.

European Union EMC Directive conformance statement

This product is in conformity with the protection requirements of EU Council Directive 2004/108/EC on the approximation of the laws of the Member States relating to electromagnetic compatibility. Lenovo cannot accept responsibility for any failure to satisfy the protection requirements resulting from a nonrecommended modification of the product, including the installation of option cards from other manufacturers.

This product has been tested and found to comply with the limits for Class B Information Technology Equipment according to CISPR 22/European Standard EN 55022. The limits for Class B equipment were derived for typical residential environments to provide reasonable protection against interference with licensed communication devices.

EU-EMC Directive (2004/108/EC) EN 55022 class B Statement of Compliance

Deutschsprachiger EU Hinweis:

Hinweis für Geräte der Klasse B EU-Richtlinie zur Elektromagnetischen Verträglichkeit

Dieses Produkt entspricht den Schutzanforderungen der EU-Richtlinie 2004/108/EG (früher 89/336/EWG) zur Angleichung der Rechtsvorschriften über die elektromagnetische Verträglichkeit in den EU-Mitgliedsstaaten und hält die Grenzwerte der EN 55022 Klasse B ein.

Um dieses sicherzustellen, sind die Geräte wie in den Handbüchern beschrieben zu installieren und zu betreiben. Des Weiteren dürfen auch nur von der Lenovo empfohlene Kabel angeschlossen werden. Lenovo übernimmt keine Verantwortung für die Einhaltung der Schutzanforderungen, wenn das Produkt ohne Zustimmung der Lenovo verändert bzw. wenn Erweiterungskomponenten von Fremdherstellern ohne Empfehlung der Lenovo gesteckt/eingebaut werden.

Deutschland: Einhaltung des Gesetzes über die elektromagnetische Verträglichkeit von Betriebsmitteln

Dieses Produkt entspricht dem "Gesetz über die elektromagnetische Verträglichkeit von Betriebsmitteln" EMVG (früher "Gesetz über die elektromagnetische Verträglichkeit von Geräten"). Dies ist die Umsetzung der EU-Richtlinie 2004/108/EG (früher 89/336/EWG) in der Bundesrepublik Deutschland.

Zulassungsbescheinigung laut dem Deutschen Gesetz über die elektromagnetische Verträglichkeit von Betriebsmitteln, EMVG vom 20. Juli 2007 (früher "Gesetz über die elektromagnetische Verträglichkeit von Geräten"), bzw. der EMV EG Richtlinie 2004/108/EC (früher 89/336/EWG), für Geräte der Klasse B.

Dieses Gerät ist berechtigt, in Übereinstimmung mit dem Deutschen EMVG das EG-Konformitätszeichen - CE - zu führen. Verantwortlich für die Konformitätserklärung nach Paragraf 5 des EMVG ist die Lenovo (Deutschland) GmbH, Pascalstr. 100, D-70569 Stuttgart.

Informationen in Hinsicht EMVG Paragraf 4 Abs. (1) 4:
Das Gerät erfüllt die Schutzanforderungen nach EN 55024 und EN 55022 Klasse B.

Korean Class B statement

이 기기는 가정용으로 전자파 적합등록을 한 기기로서
주거지역에서는 물론 모든 지역에서 사용할 수 있습니다.

Japanese VCCI Class B statement

この装置は、情報処理装置等電波障害自主規制協議会（VCCI）の基準に基づくクラスB情報技術装置です。この装置は、家庭環境で使用することを目的としていますが、この装置がラジオやテレビジョン受信機に近接して使用されると、受信障害を引き起こすことがあります。
取扱説明書に従って正しい取り扱いをして下さい。

Japanese compliance for products less than or equal to 20A per phase

高調波電流規格 JIS C 61000-3-2 適合品

Keyboard and mouse compliance statement for Taiwan

本產品隨貨附已取得經濟部標準檢驗局認可之PS/2或USB的鍵盤與滑鼠一組

Lenovo product service information for Taiwan

台灣 Lenovo 產品服務資訊如下：
荷蘭商思惟個人電腦產品股份有限公司台灣分公司
台北市信義區信義路五段七號十九樓之一
服務電話：0800-000-700

Federal Communications Commission (FCC) and telephone company requirements

1. This device complies with Part 68 of the FCC rules. A label is affixed to the device that contains, among other things, the FCC registration number, USOC, and Ringer Equivalency Number (REN) for this equipment. If these numbers are requested, provide this information to your telephone company.

Note: If the device is an internal modem, a second FCC registration label is also provided. You may attach the label to the exterior of the computer in which you install the Lenovo modem, or you may attach the label to the external DAA, if you have one. Place the label in a location that is easily accessible, should you need to provide the label information to the telephone company.

2. The REN is useful to determine the quantity of devices you may connect to your telephone line and still have those devices ring when your number is called. In most, but not all areas, the sum of the RENs of all devices should not exceed five (5). To be certain of the number of devices you may connect to your line, as determined by the REN, you should call your local telephone company to determine the maximum REN for your calling area.
3. If the device causes harm to the telephone network, the telephone company may discontinue your service temporarily. If possible, they will notify you in advance; if advance notice is not practical, you will be notified as soon as possible. You will be advised of your right to file a complaint with the FCC.
4. Your telephone company may make changes in its facilities, equipment, operations, or procedures that could affect the proper operation of your

equipment. If they do, you will be given advance notice to give you an opportunity to maintain uninterrupted service.

5. If you experience trouble with this product, contact your authorized reseller or call the Customer Support Center. In the United States, call **1-800-426-7378**. In Canada, call **1-800-565-3344**. You may be required to present proof of purchase.

The telephone company may ask you to disconnect the device from the network until the problem has been corrected, or until you are sure the device is not malfunctioning.

6. No customer repairs are possible to the device. If you experience trouble with the device, contact your Authorized Reseller or see the Diagnostics section of this manual for information.
7. This device may not be used on coin service provided by the telephone company. Connection to party lines is subject to state tariffs. Contact your state public utility commission or corporation commission for information.
8. When ordering network interface (NI) service from the local Exchange Carrier, specify service arrangement USOC RJ11C.

Canadian Department of Communications certification label

NOTICE: The Industry Canada label identifies certified equipment. This certification means that the equipment meets telecommunications network protective, operational and safety requirements as prescribed in the appropriate Terminal Equipment Technical Requirements documents. The Department does not guarantee the equipment will operate to the user's satisfaction.

Before installing this equipment, users should ensure that it is permissible to be connected to the facilities of the local telecommunications company. The equipment must also be installed using an acceptable method of connection. The customer should be aware that compliance with the above conditions may not prevent degradation of service in some situations. Repairs to certified equipment should be coordinated by a representative designated by the supplier. Any repairs or alterations made by the user to this equipment, or equipment malfunctions, may give the telecommunications company cause to request the user to disconnect the equipment.

Users should ensure for their own protection that the electrical ground connections of the power utility, telephone lines, and internal metallic water pipe system, if present, are connected together. This precaution may be particularly important in rural areas.

Caution: Users should not attempt to make such connections themselves, but should contact the appropriate electric inspection authority, or electrician, as appropriate.

NOTICE: The Ringer Equivalence Number (REN) assigned to each terminal device provides an indication of the maximum number of terminals allowed to be connected to a telephone interface. The termination on an interface may consist of any combination of devices subject only to the requirement that the sum of the Ringer Equivalence Numbers of all the devices does not exceed 5.

Power cord notice

For your safety, Lenovo provides a power cord with a grounded attachment plug to use with this product. To avoid electrical shock, always use the power cord and plug with a properly grounded outlet.

Power cords provided by Lenovo in the United States and Canada are listed by Underwriter's Laboratories (UL) and certified by the Canadian Standards Association (CSA).

For units intended to be operated at 115 volts: Use a UL-listed and CSA-certified cord set consisting of a minimum 18 AWG, Type SVT or SJT, three-conductor cord, a maximum of 15 feet in length and a parallel blade, grounding-type attachment plug rated 15 amperes, 125 volts.

For units intended to be operated at 230 volts (U.S. use): Use a UL-listed and CSA-certified cord set consisting of a minimum 18 AWG, Type SVT or SJT, three-conductor cord, a maximum of 15 feet in length and a tandem blade, grounding-type attachment plug rated 15 amperes, 250 volts.

For units intended to be operated at 230 volts (outside the U.S.): Use a cord set with a grounding-type attachment plug. The cord set should have the appropriate safety approvals for the country in which the equipment will be installed.

Power cords provided by Lenovo for a specific country or region are usually available only in that country or region.

For units intended to be operated in Germany: The power cords shall be safety approved. For Germany, it shall be H05VV-F, 3G, 0.75 mm², or better. For other countries, the suitable types shall be used accordingly.

Power cord part number	Used in these countries and regions
24R2633	Japan
39M5067	Argentina, Paraguay, Uruguay

Power cord part number	Used in these countries and regions
39M5080	Antigua and Barbuda, Aruba, Bahamas, Barbados, Belize, Bermuda, Bolivia, Turks and Caicos Islands, Canada, Cayman Islands, Costa Rica, Columbia, Cuba, Dominican Republic, Ecuador, El Salvador, Guam, Guatemala, Haiti, Honduras, Jamaica, Mexico, Micronesia (Federal States of), Netherlands Antilles, Nicaragua, Panama, Peru, Philippines, Saudi Arabia, Thailand, Taiwan, United States, Venezuela
39M5102	Australia, New Zealand
39M5122	Afghanistan, Albania, Algeria, Andorra, Angola, Armenia, Austria, Azerbaijan, Belarus, Belgium, Benin, Bosnia and Herzegovina, Bulgaria, Burkina Faso, Burundi, Cambodia, Cameroon, Cape Verde, Central African Republic, Chad, Comoros, Congo (Democratic Republic of), Congo (Republic of), Cote D'Ivoire (Ivory Coast), Croatia (Republic of), Czech Republic, Dahomey, Djibouti, Egypt, Equatorial Guinea, Eritrea, Estonia, Ethiopia, Finland, France, French Guyana, French Polynesia, Gabon, Georgia, Germany, Greece, Guadeloupe, Guinea, Guinea Bissau, Hungary, Iceland, Indonesia, Iran, Kazakhstan, Kyrgyzstan, Laos (Peoples Democratic Republic of), Latvia, Lebanon, Lithuania, Luxembourg, Macedonia (former Yugoslav Republic of), Madagascar, Mali, Martinique, Mauritania, Mauritius, Mayotte, Moldova (Republic of), Monaco, Mongolia, Morocco, Mozambique, Netherlands, New Caledonia, Niger, Norway, Poland, Portugal, Reunion, Romania, Russian Federation, Rwanda, Sao Tome and Principe, Saudi Arabia, Senegal, Serbia, Slovakia, Slovenia (Republic of), Somalia, Spain, Suriname, Sweden, Syrian Arab Republic, Tajikistan, Tahiti, Togo, Tunisia, Turkey, Turkmenistan, Ukraine, Upper Volta, Uzbekistan, Vanuatu, Vietnam, Wallis and Futuna, Yugoslavia (Federal Republic of), Zaire
39M5129	Denmark
39M5143	Bangladesh, Lesotho, Macao S.A.R of China, Maldives, Namibia, Nepal, Pakistan, Samoa, South Africa, Sri Lanka, Swaziland, Uganda
39M5150	Abu Dhabi, Australia, Bahrain, Botswana, Brunei Darussalam, Channel Islands, Cyprus, Dominica, Fiji, Gambia, Ghana, Grenada, Guyana, Hong Kong S.A.R. of China, Iraq, Ireland, Jordan, Kenya, Kiribati, Kuwait, Liberia, Malawi, Malaysia, Malta, Myanmar (Burma), Nauru, New Zealand, Nigeria, Oman, Papua New Guinea, Qatar, Saint Kitts and Nevis, Saint Lucia, Saint Vincent and the Grenadines, Seychelles, Sierra Leone, Singapore, Sudan, Tanzania (United Republic of), Trinidad & Tobago, United Arab Emirates (Dubai), United Kingdom, Yemen, Zambia, Zimbabwe
39M5151	Hong Kong S.A.R. of China, Korea
39M5157	Liechtenstein, Switzerland
39M5164	Chile, Italy, Libya Arab Jamahiriya

Power cord part number	Used in these countries and regions
39M5171	Israel
39M5205	China
39M5212	Korea
39M5232	Brazil
39M5246	Taiwan
41R3175	India

Polyvinyl Chloride (PVC) cable and cord notice

WARNING: Handling the cord on this product or cords associated with accessories sold with this product will expose you to lead, a chemical known to the State of California to cause cancer, and birth defects or other reproductive harm. *Wash hands after handling.*

China substance disclosure table

产品中有毒有害物质或元素的名称及含量

部件名称	有毒有害物质或元素					
	铅(Pb)	汞(Hg)	镉(Cd)	六价铬 (Cr(VI))	多溴连苯 (PBB)	多溴二苯醚 (PBDE)
印刷电路板组件*	X	O	O	O	O	O
硬盘	X	O	O	O	O	O
光驱	X	O	O	O	O	O
内存	X	O	O	O	O	O
电脑I/O 附件	X	O	O	O	O	O
电源	X	O	O	O	O	O
键盘	X	O	O	O	O	O
鼠标	X	O	O	O	O	O
机箱/附件	X	O	O	O	O	O

○:表示该有毒有害物质在该部件所有均质材料中的含量均在SJ/T11363-2006标准规定的限量要求以下
 ×:表示该有毒有害物质至少在该部件的某一均质材料中的含量超出SJ/T11363-2006标准规定的限量要求
 表中标有“×”的所有部件都符合欧盟RoHS 法规。

印刷电路板组件*: 包括印刷电路板及其零部件、电容和连接器
 根据型号的不同,可能不会含有以上的所有部件,请以实际购买机型为准



在中华人民共和国境内销售的电子信息产品必须标识此标志,标志内的数字代表在正常使用状态下的产品的环保使用期限

Waste electrical and electronic equipment (WEEE) notices

Lenovo encourages owners of information technology (IT) equipment to responsibly recycle their equipment when it is no longer needed. Lenovo offers a variety of programs and services to assist equipment owners in recycling their IT products. Information on product recycling offerings can be found on Lenovo's Internet site at <http://www.pc.ibm.com/ww/lenovo/about/environment/>.

European Union (EU) WEEE statement

The WEEE mark applies only to countries within the European Union (EU) and Norway. Appliances are labeled in accordance with European Directive 2002/96/EC concerning waste electrical and electronic equipment (WEEE). The Directive determines the framework for the return and recycling of used appliances as applicable throughout the European Union. This label is applied

to various products to indicate that the product is not to be thrown away, but rather reclaimed upon end of life per this Directive.

Users of electrical and electronic equipment (EEE) with the WEEE marking per Annex IV of the WEEE Directive must not dispose of end of life EEE as unsorted municipal waste, but use the collection framework available to them for the return, recycle, recovery of WEEE and minimize any potential effects of EEE on the environment and human health due to the presence of hazardous substances. For additional WEEE information go to:
<http://www.lenovo.com/lenovo/environment>.

Japanese recycling statement

Collecting and recycling a disused Lenovo computer or monitor

If you are a company employee and need to dispose of a Lenovo computer or monitor that is the property of the company, you must do so in accordance with the Law for Promotion of Effective Utilization of Resources. Computers and monitors are categorized as industrial waste and should be properly disposed of by an industrial waste disposal contractor certified by a local government. In accordance with the Law for Promotion of Effective Utilization of Resources, Lenovo Japan provides, through its PC Collecting and Recycling Services, for the collecting, reuse, and recycling of disused computers and monitors. For details, visit the Lenovo Web site at www.ibm.com/jp/pc/service/recycle/pcrecycle/

Pursuant to the Law for Promotion of Effective Utilization of Resources, the collecting and recycling of home-used computers and monitors by the manufacturer was begun on October 1, 2003. This service is provided free of charge for home-used computers sold after October 1, 2003. For details, visit the Lenovo Web site at www.ibm.com/jp/pc/service/recycle/personal/.

Disposing of a Lenovo computer component

Some Lenovo computer products sold in Japan may have components that contain heavy metals or other environmental sensitive substances. To properly dispose of disused components, such as a printed circuit board or drive, use the methods described above for collecting and recycling a disused computer or monitor.

Disposing of disused lithium batteries from Lenovo computers

A button-shaped lithium battery is installed on the system board of your Lenovo computer to provide power to the computer clock while the computer is off or disconnected from the main power source. If you want to replace it

with a new one, contact your place of purchase or ask for a repair service provided by Lenovo. If you have replaced it by yourself and want to dispose of the disused lithium battery, insulate it with vinyl tape, contact your place of purchase, and follow their instructions. If you use a Lenovo computer at home and need to dispose of a lithium battery, you must comply with local ordinances and regulations.

ENERGY STAR model information



ENERGY STAR® is a joint program of the U.S. Environmental Protection Agency and the U.S. Department of Energy aimed at saving money and protecting the environment through energy efficient products and practices.

Lenovo is proud to offer our customers products with an ENERGY STAR compliant designation. The following machine types have been designed and tested to conform to the ENERGY STAR 4.0 program requirement for computers:

- 9172
- 9174
- 9181
- 9182
- 9193
- 9194
- 9196
- 9303

By using ENERGY STAR compliant products and taking advantage of the power-management features of your computer, you reduce the consumption of electricity. Reduced electrical consumption contributes to potential financial savings, a cleaner environment, and the reduction of greenhouse gas emissions.

For more information about ENERGY STAR, visit <http://www.energystar.gov>.

Lenovo encourages you to make efficient use of energy an integral part of your day-to-day operations. To help in this endeavor, Lenovo has preset the

following power-management features to take effect when your computer has been inactive for a specified duration:

Table 2. ENERGY STAR power-management features, by operating system

Windows XP	Windows Vista
<ul style="list-style-type: none"> • Turn off monitor: After 15 minutes • Turn off hard disks: Never • System standby: After 20 minutes • System hibernates: Never 	Power plan: Balanced <ul style="list-style-type: none"> • Turn off the display: After 10 minutes • Put the computer to sleep: After 25 minutes • Advanced power settings: <ul style="list-style-type: none"> – Turn off hard disks: After 20 minutes – Hibernate: Never

To awaken your computer from a Sleep or System Standby mode, press any key on your keyboard. For more information about these settings, refer to your Windows Help and Support information system.

Avis aux lecteurs canadiens

Le présent document a été traduit en France. Voici les principales différences et particularités dont vous devez tenir compte.

Illustrations

Les illustrations sont fournies à titre d'exemple. Certaines peuvent contenir des données propres à la France.

Terminologie

La terminologie des titres peut différer d'un pays à l'autre. Reportez-vous au tableau ci-dessous, au besoin.

France	Canada
ingénieur commercial	représentant
agence commerciale	succursale
ingénieur technico-commercial	informaticien
inspecteur	technicien du matériel

Claviers

Les lettres sont disposées différemment : le clavier français est de type AZERTY, et le clavier français-canadien, de type QWERTY.








Paramètres canadiens

Au Canada, on utilise :

- les pages de codes 850 (multilingue) et 863 (français-canadien),
- le code pays 002,
- le code clavier CF.

Nomenclature

Les touches présentées dans le tableau d'équivalence suivant sont libellées différemment selon qu'il s'agit du clavier de la France, du clavier du Canada ou du clavier des États-Unis. Reportez-vous à ce tableau pour faire correspondre les touches françaises figurant dans le présent document aux touches de votre clavier.

France	Canada	Etats-Unis
 (Pos1)		Home
Fin	Fin	End
 (PgAr)		PgUp
 (PgAv)		PgDn
Inser	Inser	Ins
Suppr	Suppr	Del
Echap	Echap	Esc
Attn	Intrp	Break
Impr écran	ImpEc	PrtSc
Verr num	Num	Num Lock
Arrêt défil	Défil	Scroll Lock
 (Verr maj)	FixMaj	Caps Lock
AltGr	AltCar	Alt (à droite)

Recommandations à l'utilisateur

Ce matériel utilise et peut émettre de l'énergie radiofréquence. Il risque de parasiter les communications radio et télévision s'il n'est pas installé et utilisé conformément aux instructions du constructeur (instructions d'utilisation, manuels de référence et manuels d'entretien).

Si cet équipement provoque des interférences dans les communications radio ou télévision, mettez-le hors tension puis sous tension pour vous en assurer. Il est possible de corriger cet état de fait par une ou plusieurs des mesures suivantes :

- Réorienter l'antenne réceptrice ;
- Déplacer l'équipement par rapport au récepteur ;
- Éloigner l'équipement du récepteur ;

- Brancher l'équipement sur une prise différente de celle du récepteur pour que ces unités fonctionnent sur des circuits distincts ;
- S'assurer que les vis de fixation des cartes et des connecteurs ainsi que les fils de masse sont bien serrés ;
- Vérifier la mise en place des obturateurs sur les connecteurs libres.

Si vous utilisez des périphériques non Lenovo avec cet équipement, nous vous recommandons d'utiliser des câbles blindés mis à la terre, à travers des filtres si nécessaire.

En cas de besoin, adressez-vous à votre détaillant.

Le fabricant n'est pas responsable des interférences radio ou télévision qui pourraient se produire si des modifications non autorisées ont été effectuées sur l'équipement.

L'obligation de corriger de telles interférences incombe à l'utilisateur.

Au besoin, l'utilisateur devrait consulter le détaillant ou un technicien qualifié pour obtenir de plus amples renseignements.

Brevets

Lenovo peut détenir des brevets ou des demandes de brevet couvrant les produits mentionnés dans le présent document. La remise de ce document ne vous donne aucun droit de licence sur ces brevets ou demandes de brevet. Si vous désirez recevoir des informations concernant l'acquisition de licences, veuillez en faire la demande par écrit à l'adresse suivante :

*Lenovo (United States), Inc.
500 Park Offices Drive, Hwy. 54
Research Triangle Park, NC 27709
Etats-Unis
Attention: Lenovo Director of Licensing*

Assistance téléphonique

Pour toute question ou pour obtenir de l'assistance, veuillez composer le 1 866 428-4465.

Chapitre 1. Consignes de sécurité

Important

Veuillez lire en premier les consignes de sécurité.

Ces informations peuvent vous aider à utiliser votre ordinateur personnel de bureau ou portable en toute sécurité. Suivez et conservez toutes les instructions fournies avec votre ordinateur. Les informations de ce document ne modifient pas les dispositions de votre contrat de vente ou de la Déclaration de Garantie Lenovo. Pour plus d'informations, voir Chapitre 3, «Déclaration de Garantie Lenovo», à la page 84.

La sécurité des clients est au coeur des préoccupations de Lenovo. Nos produits sont développés dans une optique de sécurité et d'efficacité. Cependant, les ordinateurs personnels sont des appareils électroniques. Les cordons d'alimentation, les adaptateurs d'alimentation et d'autres dispositifs présentent un danger potentiel pour la sécurité et peuvent provoquer des blessures ou des dommages matériels, surtout s'ils sont mal utilisés. Pour réduire ces risques, suivez les instructions accompagnant votre produit, respectez tous les avertissements figurant sur le produit ainsi que dans les instructions d'utilisation et lisez soigneusement les informations de ce document. Ce faisant, vous vous prémunirez contre les risques et vous renforcerez la sécurité de l'environnement de travail informatique.

Remarque : Ces informations comprennent des références aux adaptateurs d'alimentation et aux piles et batteries. Outre les ordinateurs personnels portables, certains produits (tels que des haut-parleurs et des écrans) sont dotés d'adaptateurs d'alimentation externes. Si vous possédez un tel produit, ces informations sont applicables. En outre, les produits informatiques contiennent une pile interne de la taille d'une pièce de monnaie qui fournit une alimentation à l'horloge système même lorsque l'ordinateur est débranché. Les consignes de sécurité concernant les piles s'appliquent donc à tous les produits informatiques.

Conditions qui nécessitent une action immédiate

Des produits peuvent être endommagés à la suite d'une mauvaise utilisation ou d'une négligence. Ces dommages peuvent être trop sérieux pour que le produit puisse être utilisé tant qu'il n'aura pas été examiné et réparé, le cas échéant, par un technicien agréé.

Comme avec tout appareil électronique, examinez attentivement le produit lors de sa mise sous tension. Dans quelques rares cas, vous pourriez remarquer une odeur, de la fumée ou des étincelles en provenance de votre

produit. Il se peut également que vous entendiez des claquements, des craquements ou des sifflements. Cela peut signifier simplement qu'un composant électronique interne est tombé en panne en mode contrôlé sans conséquence pour votre sécurité. Mais cela peut aussi indiquer un danger potentiel. Ne prenez pas de risques et ne tentez pas de diagnostiquer vous-même l'incident. Pour obtenir de l'assistance, contactez le service clients. Pour obtenir la liste des numéros de téléphone du support technique en ligne, voir Chapitre 4, «Liste de numéros de téléphone pour le monde entier», à la page 104.

Inspectez régulièrement votre ordinateur et ses composants pour détecter tout dommage, signe d'usure ou source de danger. Si vous avez des doutes sur l'état d'un composant, n'utilisez pas le produit. Prenez contact avec le centre de support ou avec le fabricant du produit pour savoir comment diagnostiquer l'incident et, si nécessaire, faites réparer le produit.

Dans l'éventualité peu probable où vous constateriez l'une des manifestations décrites ci-après, ou en cas d'incidents remettant en cause la sécurité d'utilisation, cessez d'utiliser le produit et débranchez-le de sa source d'alimentation et des lignes téléphoniques jusqu'à ce que vous ayez pu obtenir des instructions du centre de support.

- Cordons d'alimentation, prises, adaptateurs d'alimentation, rallonges, dispositifs de protection contre les surtensions ou boîtiers d'alimentation fendus, cassés ou endommagés.
- Signes de surchauffe, fumée, étincelles.
- Pile ou batterie endommagée (par exemple, fentes, bosses ou plis), décharge en provenance d'une pile ou d'une batterie ou accumulation de substances étrangères sur une pile.
- Craquement, sifflement, bruit sec ou odeur forte émanant du produit.
- Signes que du liquide a été renversé ou qu'un objet est tombé sur l'ordinateur, le cordon d'alimentation ou l'adaptateur d'alimentation.
- Exposition de l'ordinateur, du cordon d'alimentation ou de l'adaptateur d'alimentation à l'eau.
- Chute du produit ou tout autre dommage.
- Le produit ne fonctionne pas correctement lorsque vous suivez les instructions d'utilisation.

Remarque : Si vous constatez l'une de ces manifestations au niveau d'un produit non Lenovo (par exemple, un prolongateur), cessez de l'utiliser tant que vous n'avez pas obtenu d'instructions auprès du fabricant ou que vous n'avez pas obtenu de pièce de rechange.

Consignes générales de sécurité

Respectez toujours les précautions ci-après pour réduire les risques de blessure ou de dommages matériels.

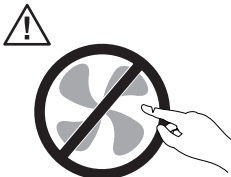
Maintenance et mises à niveau

Ne tentez pas de réparer un produit vous-même, à moins d'y avoir été invité par le centre de support ou la documentation. Faites uniquement appel à un fournisseur de services ayant reçu l'agrément pour réparer ce produit en particulier.

Remarque : Certains composants de l'ordinateur peuvent être mis à niveau ou remplacés par le client. Les mises à niveau sont généralement appelées des options. Les composants de rechange dont l'installation par le client est approuvée sont appelés des unités remplaçables par le client, ou CRU. Lenovo fournit une documentation qui contient des instructions indiquant dans quels cas le client peut installer des options ou remplacer des CRU. Vous devez suivre scrupuleusement toutes les instructions lorsque vous installez ou remplacez des composants. L'extinction d'un voyant d'alimentation ne signifie pas nécessairement que les niveaux de tension à l'intérieur d'un produit sont nuls. Avant d'effectuer la dépose des carters d'un produit équipé d'un cordon d'alimentation secteur, vérifiez toujours que l'alimentation est coupée et que le produit est débranché de toute source d'alimentation. Pour plus d'informations sur les unités remplaçables par l'utilisateur, voir le guide d'utilisation de ce produit. Si vous avez des questions ou des doutes, adressez-vous au centre de support.

Bien qu'il n'y ait plus de pièce en mouvement dans votre ordinateur une fois le cordon d'alimentation débranché, les avertissements suivants sont requis pour votre sécurité.

Danger



Pièces en mouvement dangereuses. Evitez tout contact avec les doigts et toute autre partie du corps.

Attention



Avant de remplacer des CRU, mettez l'ordinateur hors tension et attendez de trois à cinq minutes que l'ordinateur refroidisse avant d'ouvrir le carter.

Protection antistatique

Si l'électricité statique est inoffensive pour votre santé, elle risque en revanche de causer des dommages importants aux composants et options de votre ordinateur. Une manipulation incorrecte de composants sensibles à l'électricité statique risque de causer de les endommager. Lorsque vous déballez une option ou une CRU, n'ouvrez pas l'emballage antistatique qui contient le composant avant que les instructions ne vous demandent de l'installer.

Lorsque vous manipulez des options ou des CRU, ou que vous réalisez des interventions à l'intérieur de l'ordinateur, prenez les précautions suivantes afin d'éviter les dommages liés à l'électricité statique :

- Limitez vos mouvements, car ceux-ci provoquent une accumulation d'électricité statique.
- Manipulez toujours les composants avec précaution. Manipulez les adaptateurs, modules mémoire et autres cartes à circuits imprimés en les tenant par les bords. Ne touchez jamais directement des circuits.
- Empêchez toute autre personne de toucher les composants.
- Lorsque vous installez une option ou une CRU sensible à l'électricité statique, mettez l'emballage antistatique du composant en contact avec le carter d'un logement d'extension en métal ou toute autre surface métallique non peinte de l'ordinateur pendant au moins deux secondes. Cela permet de dissiper l'électricité statique présente dans l'emballage et votre corps.
- Lorsque cela est possible, retirez le composant de son emballage antistatique au dernier moment et installez-le sans le poser. Sinon, posez-le sur son emballage antistatique, sur une surface plane et lisse.
- Ne mettez pas le composant en contact avec le carter de l'ordinateur ou toute autre surface métallique.

Cordons et adaptateurs d'alimentation

N'utilisez que les cordons et les blocs d'alimentation fournis par le fabricant du produit.

Les cordons d'alimentation doivent être conformes aux normes de sécurité. En Allemagne, ils doivent être de type H05VV-F, 3G, 0,75 mm² ou de section supérieure. Dans les autres pays, utilisez les types de câble appropriés.

N'enroulez jamais un cordon d'alimentation autour de l'adaptateur d'alimentation ou de tout autre objet. Une telle contrainte risque d'effiloche, de fissurer ou de plisser le cordon. Cela peut représenter un danger pour la sécurité.

Disposez les cordons d'alimentation de manière à ce qu'ils ne soient pas piétinés, ni coincés.

Évitez d'exposer le cordon et les adaptateurs d'alimentation à des liquides. Ainsi, ne laissez pas le cordon ou l'adaptateur d'alimentation à proximité d'éviers, de bassines, de toilettes ou sur des sols nettoyés avec des détergents liquides. Les liquides risquent de provoquer des court-circuits, surtout si le cordon ou l'adaptateur d'alimentation a été soumis à des contraintes résultant d'une mauvaise utilisation. Les liquides peuvent également entraîner une corrosion progressive des terminaisons du cordon d'alimentation ou des connecteurs susceptible de provoquer une surchauffe.

Connectez toujours les cordons d'alimentation et les câbles d'interface dans le bon ordre et assurez-vous que tous leurs connecteurs sont bien enfoncés et fixés dans les prises.

N'utilisez pas d'adaptateur d'alimentation présentant des signes de corrosion sur les broches d'entrée secteur ou des signes de surchauffe (déformation du plastique, par exemple) sur l'entrée secteur ou à tout autre endroit du cordon d'alimentation.

N'utilisez pas de cordons d'alimentation sur lesquels les contacts électriques à l'une ou l'autre des extrémités présentent des signes de corrosion ou de surchauffe, ou qui semblent être endommagés.

Commutateur de sélection de tension

Certains ordinateurs sont équipés d'un commutateur de sélection de tension qui est situé à côté du point de connexion du cordon d'alimentation de l'ordinateur. Si votre ordinateur dispose d'un commutateur de sélection de tension, assurez-vous qu'il est configuré pour correspondre au voltage disponible à la sortie de la prise de courant. Une mauvaise configuration du sélecteur de tension peut occasionner des dommages irréversibles sur votre ordinateur.

Si votre ordinateur ne dispose pas d'un commutateur de sélection de tension, il est conçu pour fonctionner uniquement selon le voltage fourni dans le pays ou la région où il a été acheté.

Si vous déplacez votre ordinateur dans un autre pays, sachez ceci :

- Si votre ordinateur ne dispose pas d'un commutateur de sélection de tension, ne le branchez pas à une prise de courant tant que vous n'avez pas vérifié que le voltage est le même que celui fourni dans le pays ou la région où l'ordinateur a été acheté.
- Si votre ordinateur dispose d'un commutateur de sélection de tension, ne le branchez pas à une prise de courant tant que vous n'avez pas vérifié que le commutateur est configuré pour correspondre au voltage fourni dans ce pays ou cette région.

Si vous n'êtes pas sûr du voltage à la sortie de vos prises de courant, contactez votre compagnie d'électricité ou reportez-vous aux sites web officiels ou à d'autres documentations pour les voyageurs.

Prolongateurs et dispositifs associés

Assurez-vous que les prolongateurs, les dispositifs de protection contre les surtensions, les blocs d'alimentation de secours et les multiprises que vous utilisez ont des caractéristiques de tension correspondant aux besoins électriques du produit. Ne surchargez jamais ces dispositifs. Si vous utilisez des multiprises, la charge ne doit pas dépasser la tension d'entrée. Adressez-vous à un électricien pour plus de détails ou si vous avez des questions concernant les charges de courant, les besoins en alimentation et les tensions d'entrée.

Fiches et prises

Si une prise de courant destinée au matériel de votre ordinateur semble être endommagée ou corrodée, ne l'utilisez pas et attendez qu'elle soit remplacée par un électricien qualifié.

Ne tordez pas ou ne modifiez pas une fiche électrique. Si une fiche est endommagée, prenez contact avec le fabricant pour la remplacer.

Ne partagez pas une prise électrique avec d'autres appareils domestiques ou professionnels consommant une grande quantité d'électricité, car une tension instable risquerait d'endommager votre ordinateur, vos données ou les périphériques connectés.

Certains produits sont équipés d'une fiche à trois broches. Cette fiche s'adapte uniquement à une prise de courant mise à la terre. Il s'agit d'un dispositif de sécurité. Ne le désactivez pas en tentant d'insérer la fiche dans une prise non reliée à la terre. Si vous ne pouvez pas enfoncer la fiche dans la prise, demandez à un électricien de vous fournir un adaptateur de prise approuvé ou de remplacer la prise par une autre prise prenant en charge ce dispositif de sécurité. Ne surchargez jamais une prise de courant. La charge totale du système ne doit pas dépasser 80 pour cent de la tension du circuit de dérivation. Adressez-vous à un électricien pour plus de détails ou si vous avez des questions concernant les charges de courant et les tensions des circuits de dérivation.

Assurez-vous que la prise de courant utilisée est correctement câblée, facilement accessible et placée à proximité du matériel. Ne tendez pas complètement les cordons d'alimentation pour éviter toute contrainte.

Assurez-vous que la prise électrique délivre une tension et un courant adaptés au produit que vous installez.

Branchez et débranchez avec précaution le matériel de la prise de courant.

Périphériques externes

Ne branchez ou ne débranchez pas de câbles de périphérique externe autres que des câbles USB et 1394 quand l'ordinateur est sous tension, car vous risqueriez de l'endommager. Afin d'éviter d'endommager les périphériques connectés, patientez au moins cinq secondes après la mise hors tension de l'ordinateur pour déconnecter les périphériques externes.

Piles et batteries

Tous les PC Lenovo contiennent une pile format bouton non rechargeable destinée à alimenter l'horloge système. En outre, de nombreux produits mobiles, tels que les ordinateurs portables, utilisent un bloc de piles rechargeables qui fournissent du courant au système en mode portable. La compatibilité des piles fournies par Lenovo en vue d'être utilisées avec votre produit a été testée. Ces piles doivent être uniquement remplacées par des composants agréés.

Ne tentez jamais d'ouvrir ou de réparer une pile ou une batterie. Ne broyez pas, ne percez pas et n'incinerez pas les piles ou les batteries et ne provoquez pas de court-circuit sur les contacts en métal. N'exposez pas la pile ou la

batterie à l'eau ou à tout autre liquide. Rechargez uniquement le bloc de piles en vous conformant strictement aux instructions fournies dans la documentation du produit.

Un mauvais traitement ou une mauvaise utilisation risque d'entraîner une surchauffe de la pile pouvant se traduire par une émission de gaz ou de flammes de la part du bloc de piles ou de la pile cellulaire. Si votre pile ou batterie est endommagée ou que vous remarquez des décharges en provenance de celle-ci ou l'accumulation de substances étrangères sur ses composants en plomb, arrêtez de l'utiliser et procurez-vous une pile ou une batterie de rechange auprès du fabricant.

Les piles ou les batteries peuvent se dégrader lorsqu'elles restent inutilisées pendant un long moment. Dans le cas de certaines piles et batteries rechargeables (en particulier celles au lithium-ion), le fait de laisser une pile ou une batterie déchargée peut augmenter les risques de court-circuits susceptibles de diminuer leur durée de vie et de présenter un danger pour la sécurité. Ne laissez pas des piles ou batteries au lithium-ion rechargeables se décharger complètement et ne les rangez pas déchargées.

Chaleur et ventilation des produits

Les ordinateurs, les boîtiers d'alimentation et de nombreux accessoires dégagent de la chaleur lorsqu'ils sont sous tension et que les piles sont en charge. Respectez toujours ces précautions de base :

- Ne laissez pas l'ordinateur, le boîtier d'alimentation ou les accessoires en contact prolongé avec vos genoux ou avec une partie quelconque de votre corps lorsque ces produits sont en fonctionnement ou que la batterie est en cours de chargement. L'ordinateur, le bloc d'alimentation et de nombreux accessoires dégagent de la chaleur lorsqu'ils fonctionnent. Un contact prolongé avec votre peau peut provoquer des lésions, voire des brûlures.
- Ne mettez pas la pile en charge et ne mettez pas sous tension l'ordinateur, le bloc d'alimentation ou les accessoires à proximité de matériaux inflammables ou dans un environnement présentant des risques d'explosion.
- Votre produit est équipé d'ouvertures de ventilation, de ventilateurs et de dissipateurs thermiques à des fins de sécurité, de confort et de fiabilité de fonctionnement. Vous risquez de bloquer ces dispositifs par inadvertance si vous placez le produit sur un lit, un canapé, un tapis ou toute autre surface souple. Vous ne devez jamais bloquer, couvrir ou désactiver ces dispositifs.

Vous devez inspecter votre ordinateur au moins une fois par trimestre pour vérifier que de la poussière ne s'est pas accumulée. Avant de procéder à cette opération, mettez l'ordinateur hors tension et débranchez-le. Vous pouvez ensuite retirer la poussière qui se trouve dans les ventilateurs ou les trous du panneau frontal. Si vous remarquez que de la poussière s'est accumulée à l'extérieur, vous devez également examiner et retirer la poussière se trouvant à

l'intérieur de l'ordinateur, notamment dans les ventilateurs (du dissipateur thermique, du bloc d'alimentation et de l'ordinateur). Avant de retirer le carter, mettez toujours l'ordinateur hors tension et débranchez-le. Il est recommandé d'éviter d'utiliser l'ordinateur à moins de 50 centimètres d'un lieu de passage important. Si vous ne pouvez pas faire autrement, inspectez et nettoyez l'ordinateur plus souvent.

Respectez toujours les précautions suivantes pour assurer votre sécurité et des performances optimales de votre ordinateur :

- Lorsque l'ordinateur est branché, ne retirez jamais le carter.
- Vérifiez régulièrement l'extérieur de l'ordinateur pour rechercher les éventuelles accumulations de poussière.
- Retirez la poussière qui se trouve dans les ventilateurs ou les trous du panneau frontal. Si vous travaillez dans un environnement poussiéreux ou près d'un lieu de passage important, nettoyez plus souvent votre ordinateur.
- Ne réduisez pas et ne bloquez pas les ouvertures de ventilation.
- Afin d'éviter tout risque de surchauffe, n'installez et n'utilisez pas l'ordinateur dans un meuble.
- La température de l'air circulant dans l'ordinateur ne doit pas dépasser 35 °C (95 °F).
- N'utilisez pas de dispositifs de filtration de l'air non destinés à un ordinateur.

Environnement d'exploitation

L'environnement optimal dans lequel utiliser votre ordinateur est une température comprise entre 10 °C et 35 °C et un taux d'humidité compris entre 35 % et 80 %. Si votre ordinateur a été stocké ou transporté à des températures inférieures à 10 °C, laissez-le reprendre progressivement la température optimale de 10 °C à 35 °C avant de l'utiliser. Cela peut durer deux heures dans des conditions extrêmes. Si vous ne laissez pas votre ordinateur reprendre une température de fonctionnement optimale avant de l'utiliser, vous risquez de provoquer des dommages irréparables.

Si possible, placez votre ordinateur dans un endroit correctement ventilé et sec et évitez de l'exposer directement au soleil.

Tenez les appareils électriques tels que les ventilateurs, radios, haut-parleurs, climatiseurs et fours micro-ondes à l'écart de votre ordinateur, car les puissants champs magnétiques qu'ils génèrent risqueraient d'endommager l'écran et les données stockées sur l'unité de disque dur.

Ne posez pas de boissons sur ou à côté de l'ordinateur ou d'autres périphériques connectés. Le renversement de liquides sur ou dans l'ordinateur ou un périphérique connecté risquerait de provoquer un court-circuit ou d'autres dommages.

Ne mangez pas ou ne fumez pas au-dessus de votre clavier. Les chutes de particules dans votre clavier risqueraient de provoquer des dommages.

Informations relatives à la sécurité du courant électrique

Danger

Le courant électrique provenant de l'alimentation, du téléphone et des câbles de transmission peut présenter un danger.

Pour éviter tout risque de choc électrique :

- Afin d'éviter les risques de surtension, évitez d'utiliser votre ordinateur pendant un orage.
- Ne manipulez aucun câble et n'effectuez aucune opération d'installation, d'entretien ou de reconfiguration de ce produit au cours d'un orage.
- Branchez tous les cordons d'alimentation sur un socle de prise de courant correctement câblé et mis à la terre.
- Branchez sur des socles de prise de courant correctement câblés tout équipement connecté à ce produit.
- Lorsque cela est possible, n'utilisez qu'une seule main pour connecter ou déconnecter les câbles d'interface.
- Ne mettez jamais un équipement sous tension en cas d'incendie ou d'inondation, ou en présence de dommages matériels.
- Avant de retirer les carters de l'unité, mettez celle-ci hors tension et déconnectez ses cordons d'alimentation, ainsi que les câbles qui la relient aux réseaux, aux systèmes de télécommunication et aux modems (sauf instruction contraire mentionnée dans les procédures d'installation et de configuration).
- Lorsque vous installez, que vous déplacez, ou que vous manipulez le présent produit ou des périphériques qui lui sont raccordés, reportez-vous aux instructions ci-dessous pour connecter et déconnecter les différents cordons.

<p>Connexion :</p> <ol style="list-style-type: none"> 1. Mettez les unités hors tension. 2. Commencez par brancher tous les cordons sur les unités. 3. Branchez les câbles d'interface sur des connecteurs. 4. Branchez les cordons d'alimentation sur des prises. 5. Mettez les unités sous tension. 	<p>Déconnexion :</p> <ol style="list-style-type: none"> 1. Mettez les unités hors tension. 2. Débranchez les cordons d'alimentation des prises. 3. Débranchez les câbles d'interface des connecteurs. 4. Débranchez tous les câbles des unités.
---	--

Pile au lithium

<p>Attention Danger d'explosion en cas de remplacement incorrect de la pile.</p>

Remplacer la pile cellulaire au lithium usagée par une pile de référence identique exclusivement ou suivre les instructions du fabricant qui en définit les équivalences. La pile contient du lithium et peut exploser en cas de mauvaise utilisation, de mauvaise manipulation ou de mise au rebut inappropriée.

Ne pas :

- la jeter à l'eau,
- l'exposer à une température supérieure à 100 °C,
- chercher à la réparer ou à la démonter.

Ne pas mettre la pile à la poubelle. Pour la mise au rebut, se reporter à la réglementation en vigueur.

Les déclarations qui suivent s'appliquent aux utilisateurs de l'état de Californie, aux États-Unis.

Produits à base de perchlorate : des consignes de manipulation spéciales peuvent s'appliquer. Voir www.dtsc.ca.gov/hazardouswaste/perchlorate.

Informations relatives au modem

Attention

Pour réduire le risque d'incendie, utiliser seulement la référence 26 AWG ou un câble avec des caractéristiques supérieures.

Lors de l'utilisation de votre matériel téléphonique, il est important de respecter les consignes ci-après afin de réduire les risques d'incendie, d'électrocution et d'autres blessures :

- N'installez jamais de cordons téléphoniques durant un orage.
- Les prises téléphoniques ne doivent pas être installées dans des endroits humides, excepté si le modèle a été conçu à cet effet.
- Ne touchez jamais un cordon téléphonique ou un terminal non isolé avant que la ligne ait été déconnectée du réseau téléphonique.
- Soyez toujours prudent lorsque vous procédez à l'installation ou à la modification de lignes téléphoniques.
- Si vous devez téléphoner pendant un orage, pour éviter tout risque de choc électrique, utilisez toujours un téléphone sans fil.
- En cas de fuite de gaz, n'utilisez jamais un téléphone situé à proximité de la fuite.

Conformité aux normes relatives aux appareils à laser

Certains modèles d'ordinateurs personnels sont équipés en usine d'une unité de CD ou de DVD. Ces unités sont également vendues séparément en tant qu'options. L'unité de CD/DVD est un appareil à laser. Aux États-Unis, l'unité de CD-ROM/DVD-ROM est certifiée conforme aux normes indiquées dans le sous-chapitre J du DHHS 21 CFR relatif aux produits à laser de classe 1. Dans les autres pays, elles sont certifiées être des produits à laser de classe 1 conformes aux normes IEC 60825-1 et CENELEC EN 60 825-1.

Lorsqu'une unité de CD ou de DVD est installée, tenez compte des remarques suivantes.

Attention

Pour éviter tout risque d'exposition au rayon laser, respectez les consignes de réglage et d'utilisation des commandes, ainsi que les procédures décrites dans le présent manuel.

Ne retirez pas le carter de l'unité. En ouvrant l'unité de CD ou de DVD, vous vous exposez au rayonnement dangereux du laser. Aucune pièce de l'unité n'est réparable.

Certaines unités de CD ou de DVD peuvent contenir une diode à laser de classe 3A ou 3B. Prenez connaissance des informations suivantes.

Danger

Rayonnement laser lorsque le carter est ouvert. Évitez toute exposition directe au rayon laser. Évitez de regarder fixement le faisceau ou de l'observer à l'aide d'instruments optiques.

Instruction concernant le bloc d'alimentation

Ne retirez jamais le carter d'un bloc d'alimentation ni toute autre partie portant l'étiquette ci-dessous.



Les composants portant cette étiquette présentent un danger électrique. Aucune pièce de ces composants n'est réparable. Si vous pensez qu'ils peuvent être à l'origine d'un incident, contactez un technicien de maintenance.

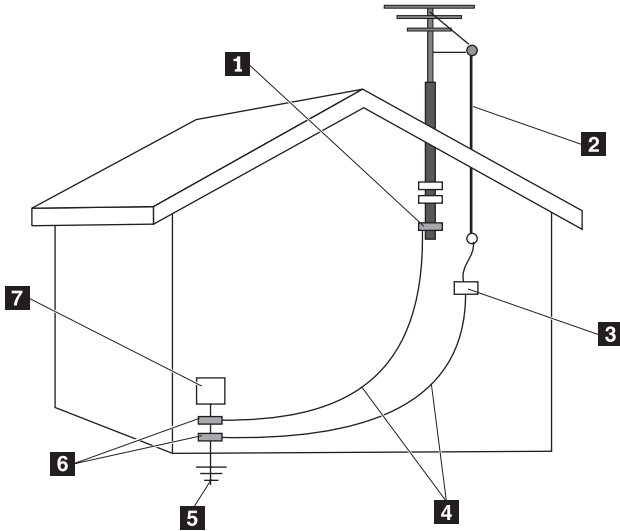
Produits disposant de syntoniseurs TV

Les consignes ci-dessous concernent les produits, installés en Amérique du Nord, intégrant des syntoniseurs TV connectés à des antennes externes et/ou à des réseaux câblés/CATV. Les utilisateurs et les installateurs des autres pays doivent suivre les recommandations et réglementations en vigueur lors de l'installation d'appareils qui se connectent à des antennes externes et à des réseaux câblés/CATV. Si les réglementations en vigueur ne sont pas applicables, les utilisateurs/installateurs doivent suivre des procédures similaires à celles qui suivent.

Remarque à l'intention des installateurs de systèmes CATV

Les installateurs de systèmes CATV doivent consulter l'Article 820-40 des directives NEC (National Electrical Code) qui fournit des instructions pour une bonne mise à la terre et précise notamment que le câble de mise à la terre doit être connecté au système de mise à la terre du bâtiment, aussi près que possible du point d'entrée du câble.

Exemple de mise à la terre d'une antenne



- | | | | |
|----------|---|----------|--|
| 1 | Bride de mise à la terre | 5 | Système conducteur de terre pour la distribution d'alimentation (Article 250, Partie H des directives NEC) |
| 2 | Câble de descente d'antenne | 6 | Brides de mise à la terre |
| 3 | Unité de décharge d'antenne (Section 810-20 des directives NEC) | 7 | Equipement électronique |
| 4 | Fils électriques de mise à la terre (Section 810-21 des directives NEC) | | |

Figure 1. Schéma de mise à la terre correcte du câble

Les informations qui suivent s'appliquent à tous les pays et régions :

Danger



Mise à la terre d'une antenne extérieure

Si une antenne extérieure ou un réseau câblé est connecté à l'équipement, vérifiez que l'antenne ou le réseau câblé est mis à la terre de manière à assurer une protection contre les surtensions et les accumulations de charges électrostatiques.

Foudre Pour renforcer la protection de l'équipement en cas d'orage ou lorsque l'équipement est laissé sans surveillance et n'est pas utilisé pendant de longues périodes, débranchez-le de sa prise murale et débranchez l'antenne ou le réseau câblé. Ceci protégera l'appareil vidéo de tout risque de dommages liés à la foudre et à des surtensions sur la ligne d'alimentation.

Lignes d'alimentation

Vous ne devez pas installer un système d'antenne extérieure à proximité de lignes électriques aériennes ou à un endroit d'où le système risque de tomber sur de telles lignes ou circuits. Lorsque vous installez une antenne extérieure, faites très attention à ne pas toucher ce type de lignes électriques ou de circuits, car tout contact pourrait vous être fatal.

Sécurité des données

Ne supprimez pas des fichiers inconnus ou ne changez pas le nom des fichiers ou répertoires que vous n'avez pas créé, car votre ordinateur ou vos logiciels risqueraient de ne plus fonctionner.

Sachez que l'accès aux ressources réseau peut exposer votre ordinateur à des virus informatiques, des pirates, des logiciels espions et d'autres activités malveillantes risquant d'endommager votre système, vos logiciels ou vos données. Il vous incombe de prendre les mesures de protection adéquates en déployant des pare-feu, des logiciels antivirus et des logiciels de protection contre les logiciels espions, et de tenir ces logiciels à jour.

Entretien et maintenance

Nettoyez régulièrement votre ordinateur et votre espace de travail. Éteignez votre ordinateur, puis débranchez le cordon d'alimentation avant de le nettoyer. Ne vaporisez pas de détergent directement sur l'ordinateur et n'utilisez pas de détergent contenant des produits inflammables pour le nettoyer. Vaporisez le détergent sur un chiffon doux et essuyez les surfaces de l'ordinateur.

Utilisation de casques et d'écouteurs

Si votre ordinateur est équipé à la fois d'un connecteur pour casque et d'un connecteur de sortie audio, utilisez toujours le connecteur pour casque pour les casques (également appelés micro-casques) ou les écouteurs.

Une pression sonore excessive dans les casques ou les oreillettes peut entraîner une perte de l'audition. En réglant le volume au maximum augmente la tension de sortie dans le casque ou l'oreillette et donc le niveau de pression sonore.

L'utilisation prolongée d'un casque ou d'écouteurs à un volume élevé peut se révéler nocif si le casque ou les écouteurs ne sont pas conformes aux spécifications de la norme NF EN 50332-2. Le connecteur de sortie casque de votre ordinateur est conforme au sous-alinéa 5.1 de la norme NF EN 50332-2. Ces spécifications limitent le voltage maximal de sortie efficace de la bande large de l'ordinateur à 150 mV. Pour vous protéger contre toute perte auditive, assurez-vous que les casques ou les écouteurs que vous utilisez sont également conformes aux spécifications de la norme NF EN 50332-2 (sous-clause 6.1) concernant le voltage de bande large de 75 mV. Toute utilisation de casques non conformes aux spécifications de la norme NF EN 50332-2 peut se révéler dangereuse en raison des niveaux excessifs de pression acoustique.

Si votre ordinateur Lenovo est livré avec un casque ou des écouteurs, l'association de ces dispositifs à l'ordinateur respecte les spécifications de la norme NF EN 50332-1. Si vous utilisez d'autres casques ou écouteurs, assurez-vous qu'ils sont conformes aux spécifications de la norme NF EN 50332-2 (sous-clause 6.1) concernant le voltage de bande large de 75 mV. Toute utilisation de casques non conformes aux spécifications de la norme NF EN 50332-2 peut se révéler dangereuse en raison des niveaux excessifs de pression acoustique.

Autres consignes de sécurité

Les sacs en plastique peuvent être dangereux. Tenez-les à l'écart des bébés et des enfants afin d'éviter tout risque de suffocation.

Chapitre 2. Sources d'informations

Après avoir configuré votre ordinateur à l'aide du livret d'installation fourni, vous pouvez utiliser les informations de ce chapitre pour accéder aux ressources utiles liées à vos besoins informatiques.

Dossier Online Books

Ce dossier contient des publications destinées à vous aider lors de la configuration et de l'utilisation de votre ordinateur. Il est préinstallé sur votre ordinateur et aucun accès Internet n'est requis pour l'affichage des publications. Les documents suivants sont disponibles dans le dossier Online Books :

- *Guide d'utilisation*

Cette publication contient des informations sur la configuration de l'ordinateur, l'installation des options, la restauration des logiciels, l'emploi de l'utilitaire de configuration, la mise à jour des programmes système et la résolution des incidents.

- *Guide d'installation et de remplacement d'options matérielles*

Ce document fournit des instructions détaillées pour le remplacement des unités remplaçables par le client (CRU) sur votre ordinateur. Les CRU sont des composant qui peuvent être mis à niveau ou remplacés par le client.

- *Publication des offres de logiciels IBM Lotus*

Ce document contient des informations sur les licences et la commande de produits Lotus.

Pour afficher une publication, ouvrez le menu **Démarrer** à partir du bureau Windows, sélectionnez **Tous les programmes**, puis **Online Books** et cliquez sur **Online Books**. Cliquez deux fois sur la publication correspondant à votre ordinateur. Ces publications sont également disponibles sur le site Web Lenovo à l'adresse <http://www.lenovo.com>.

Remarques :

1. Ces publications étant au format PDF, elles nécessitent l'installation d'Adobe Acrobat Reader. Si ce programme n'est pas installé sur votre ordinateur, un message s'affiche lorsque vous tenter de visualiser le fichier PDF et des instructions s'affichent pour vous permettre de l'installer.
2. Les publications préinstallées sur votre ordinateur sont disponibles dans d'autres langues sur le site Web de support de Lenovo à l'adresse : <http://www.lenovo.com/support/>.
3. Si vous souhaitez installer une version d'Adobe Acrobat Reader dans une autre langue que celle de la version fournie, accédez au site Web d'Adobe à l'adresse <http://www.adobe.com> pour télécharger la version souhaitée.

ThinkVantage Productivity Center

Le programme ThinkVantage Productivity Center vous guide vers un hôte de sources d'informations et d'outils conçus pour simplifier et sécuriser le traitement informatique tout en réduisant les coûts et en augmentant la productivité. Le programme ThinkVantage Productivity Center vous aide à installer et comprendre votre ordinateur ainsi qu'à y apporter des améliorations.

Le programme ThinkVantage Productivity Center fournit des informations sur votre ordinateur ainsi qu'un accès simplifié à de nombreuses technologies telles que :

- Rescue and Recovery ;
- Productivity Center ;
- Client Security Solutions ;
- Factory Recovery ;
- System Update ;
- assistance technique.

Remarque : Les technologies ThinkVantage sont uniquement disponibles sur certains ordinateurs Lenovo.

Pour accéder au programme ThinkVantage Productivity Center, à partir du bureau Windows, ouvrez le menu **Démarrer**, sélectionnez **Tous les programmes**, sélectionnez **ThinkVantage** puis cliquez sur **Productivity Center**.

Access Help

Le système d'aide en ligne Access Help fournit des informations sur la mise en route, l'exécution des tâches de base, la personnalisation des paramètres, la protection des données, l'extension et les mises à niveau et la résolution des incidents.

Pour ouvrir Access Help, à partir du bureau Windows, ouvrez le menu **Démarrer**, sélectionnez **Tous les programmes**, sélectionnez **ThinkVantage** puis cliquez sur **Access Help**. Dans Access Help, effectuez une sélection dans l'onglet Table des matières ou Index du panneau de gauche, ou faites une recherche sur un terme particulier ou une expression dans l'onglet Recherche.

www.lenovo.com

Le site Web de Lenovo (www.lenovo.com) contient un grand nombre d'informations et de services concernant l'achat, la mise à niveau et la maintenance de votre ordinateur. Vous y trouverez les informations les plus récentes concernant votre ordinateur. Le site www.lenovo.com vous permet également :

- d'acheter des ordinateurs portables et de bureau, des écrans, des projecteurs, des mises à niveau et des accessoires pour votre ordinateur, ainsi que de bénéficier d'offres spéciales ;
- d'acquérir des services supplémentaires, tels que le support pour le matériel, les systèmes d'exploitation, les programmes d'application, la configuration du réseau et les installations personnalisées ;
- d'acheter des mises à niveau et des services de réparation du matériel étendus ;
- de télécharger les mises à jour logicielles et les pilotes de périphérique les plus récents pour votre modèle d'ordinateur ;
- d'accéder aux manuels en ligne relatifs à vos produits ;
- d'accéder à la Déclaration de Garantie Lenovo ;
- d'accéder aux informations du support et de résolution des incidents relatives à votre ordinateur ainsi qu'à d'autres produits pris en charge ;
- de rechercher le numéro de téléphone du support et de la maintenance pour votre pays ou votre région ;
- de trouver un fournisseur de services situé à proximité.

Tableau d'informations

Il peut être utile de noter les informations relatives à votre ordinateur, dans l'éventualité d'une opération de maintenance. Le technicien du support vous demandera probablement ces renseignements.

Le type, le modèle et le numéro de série de la machine sont indiqués sur l'ordinateur. Le formulaire ci-dessous vous permet de noter ces informations :

Nom du produit	_____
Type et modèle de machine	_____
Numéro de série	_____
Date d'acquisition	_____

Enregistrez votre ordinateur sur le site Web suivant :

<http://www.lenovo.com/register>

Vous pourrez alors bénéficier des avantages suivants :

- Un service plus rapide lorsque vous téléphonerez pour obtenir de l'aide
- L'envoi automatique de logiciels gratuits et d'offres promotionnelles

Pour plus d'informations sur l'enregistrement de votre ordinateur, consultez le système d'aide en ligne Access Help. Pour savoir comment accéder à l'aide, voir «Access Help», à la page 81.

Chapitre 3. Déclaration de Garantie Lenovo

L505-0010-00 09/2006

La présente Déclaration de Garantie Lenovo s'applique uniquement au matériel Lenovo acheté en vue d'un usage personnel et non à des fins de revente.

Etendue de cette garantie

Lenovo garantit que chaque produit matériel est exempt de défaut matériel ou de fabrication dans des conditions normales d'utilisation au cours de la période de garantie. La période de garantie du produit commence à la date d'achat initiale indiquée sur la facture, sauf indication contraire par écrit de Lenovo. La période de garantie et le type de garantie s'appliquant à votre produit sont désignés ci-dessous sous la section intitulée **Informations relatives à la Garantie**"

CETTE GARANTIE EST LA SEULE GARANTIE DONT BENEFICIE LE CLIENT. ELLE REMPLACE TOUTES AUTRES GARANTIES OU CONDITIONS, EXPLICITES OU IMPLICITES, Y COMPRIS, ET DE FAÇON NON LIMITATIVE, TOUTE GARANTIE OU CONDITION IMPLICITE D'APTITUDE A L'EXECUTION D'UN TRAVAIL DONNE. CERTAINS ETATS OU LEGISLATIONS N'AUTORISENT PAS L'EXCLUSION DES GARANTIES EXPLICITES OU IMPLICITES, AUQUEL CAS, L'EXCLUSION CI-DESSUS NE VOUS SERA PAS APPLICABLE DANS CE CAS, CES GARANTIES S'APPLIQUENT UNIQUEMENT DANS LES DOMAINES PREVUS PAR LA LOI ET SONT LIMITEES DANS LE TEMPS A LA PERIODE DE GARANTIE. PASSEE CETTE PERIODE, AUCUNE GARANTIE NE S'APPLIQUERA. CERTAINS ETATS OU LEGISLATIONS N'AUTORISENT PAS LES LIMITATIONS DE DUREE DES GARANTIES IMPLICITES, AUQUEL CAS, L'EXCLUSION OU LA LIMITATION CI-DESSUS NE VOUS SERA PAS APPLICABLE.

Procédure d'obtention du service prévu par la Garantie

Si le produit ne fonctionne pas, tel que le prévoit la garantie, pendant la période de garantie, prenez contact avec Lenovo ou un fournisseur de service agréé afin de bénéficier du service prévu par la Garantie. Chacun de ces intervenants est appelé "Fournisseur de Services." Une liste des fournisseurs de services, ainsi que leur numéro de téléphone, est disponible à l'adresse Internet www.lenovo.com/support/phone.

Le service prévu par la Garantie n'est pas disponible dans tous les pays et il peut varier d'un pays à l'autre. Des frais s'appliquent lorsque le service n'est pas du ressort habituel de votre fournisseur de services. Pour obtenir des informations spécifiques selon le pays, contactez un fournisseur de services local.

Résolution d'incidents par le fournisseur de services

Lorsque vous prenez contact avec un fournisseur de services, vous devez suivre les procédures de détermination et de résolution d'incident spécifiées.

Le fournisseur de services s'efforce systématiquement d'établir un diagnostic et de résoudre les incidents par téléphone ou par le biais de l'assistance à distance. Il peut vous demander de télécharger et d'installer des mises à jour de logiciel désignées.

Certains incidents peuvent être résolus en installant soi-même un composant de rechange (clavier, souris, haut-parleur, mémoire, unité de disque dur ou réplicateur de port) appelée "Unité remplaçable par l'utilisateur" ou "unité CRU." Dans ce cas, le fournisseur de services vous envoie l'unité CRU que vous devrez installer.

Si l'incident ne peut être résolu ni par téléphone ni à distance par l'application de mises à jour de logiciel ou l'installation d'une unité CRU, le fournisseur de services organisera le service prévu par la garantie désignée pour le produit sous la section intitulée "**Informations relatives à la Garantie.**"

Si le fournisseur de services se déclare incapable de réparer le produit, il le remplacera par un autre doté de fonctionnalités au moins équivalentes.

Si le fournisseur de services se déclare incapable de réparer ou de remplacer le produit, la seule solution consiste à retourner ce dernier au lieu d'achat ou à Lenovo pour remboursement.

Echange d'un produit ou d'un composant

Lorsque le service prévu par la Garantie implique le remplacement d'un produit ou d'un composant, l'élément remplacé par votre Fournisseur de Services devient la propriété de Lenovo et l'élément de remplacement votre propriété. Tous les éléments démontés doivent être authentiques et non modifiés. L'élément de remplacement peut ne pas être neuf mais doit être en bon état de fonctionnement et remplir au moins la même fonction que l'élément remplacé. Il bénéficiera du service prévu par la Garantie de l'élément remplacé.

Avant que le fournisseur de services ne remplace un produit ou un composant, vous vous engagez à :

1. retirer tous les dispositifs et tous les composants, options, modifications et adjonctions, qui ne sont pas couverts par la garantie ;
2. vérifier que le produit n'est soumis à aucune disposition et restriction légales qui en empêche le remplacement ;
3. obtenir du propriétaire une autorisation permettant à votre fournisseur de services d'intervenir sur un produit dont vous n'êtes pas propriétaire.

Vos autres obligations

Le cas échéant, avant l'intervention :

1. suivre les procédures de demande de service spécifiées par votre fournisseur de services ;
2. sauvegarder ou sécuriser tous les logiciels et données contenus dans le produit ;
3. fournir à votre fournisseur de services tous les mots de passe ou clés système, ainsi qu'un accès suffisant, libre et sûr à vos installations afin d'autoriser la mise en oeuvre du service prévu par la Garantie ;
4. s'assurer que toutes les informations relatives aux personnes identifiées ou identifiables ("Données personnelles") sont supprimées du produit ou que le fait d'en conserver certaines est conforme à toutes les lois applicables.

Utilisation des informations personnelles

Si vous bénéficiez du service prévu par cette Garantie, Lenovo stocke, utilise et traite les informations concernant vos garanties et vos contacts, telles que le nom, le numéro de téléphone, l'adresse postale et l'adresse électronique. Lenovo utilisera ces informations pour fournir le service prévu par cette garantie et améliorer ses relations avec le client en effectuant des vérifications internes sur l'efficacité du service offert à ce dernier. Nous pouvons mener une enquête de satisfaction auprès de vous concernant le service prévu par la garantie ou vous informer des rappels de produits ou des dangers potentiels. Lors de l'exécution de ces opérations, nous pouvons transférer vos informations dans tout pays dans lequel nous sommes représentés et les fournir aux entités mandatées pour agir en notre nom. Nous pouvons également les divulguer si la loi l'exige ou si nous disposons des droits nécessaires pour le faire.

Limitation de cette Garantie

Cette garantie ne couvre pas :

- le fonctionnement ininterrompu ou sans erreur d'un produit ;
- la perte ou la détérioration des données ;
- les logiciels, qu'ils soient fournis avec le produit ou installés ultérieurement ;

- une défaillance ou détérioration découlant d'une utilisation incorrecte, d'un accident, d'une modification, d'une exploitation dans un environnement physique ou opérationnel inadapté, d'une catastrophe naturelle, d'une surtension ou d'une maintenance inappropriée par vous-même ;
- tout produit tiers, y compris les produits que Lenovo peut se procurer et fournir avec ou intégrer à un produit Lenovo à votre demande ;
- tout support technique ou support d'une autre nature, telle que l'assistance de type aide à l'utilisation ou celle concernant la configuration et l'installation du produit.

Tout retrait, toute altération des étiquettes servant à l'identification du produit ou des composants entraîne l'annulation de cette garantie.

Limitation de responsabilité

Lenovo est responsable des dommages subis par votre produit ou de la perte de celui-ci uniquement lorsqu'il se trouve 1) en la possession de votre fournisseur de services, ou 2) en transit au cas où le fournisseur de services prendrait en charge les frais de transport.

Ni Lenovo, ni votre Fournisseur de Services ne peut être tenu pour responsable des informations confidentielles, propriétaires ou personnelles contenues dans un produit. Toutes ces informations doivent être supprimées et/ou sauvegardées avant que le produit ne soit retourné ou transmis au service de maintenance.

Des circonstances peuvent survenir où, en raison d'une défaillance du fait de Lenovo ou de toute autre responsabilité, vous avez droit à recouvrer des dommages de Lenovo. Quels que soient la nature, le fondement et les modalités de l'action engagée contre Lenovo (y compris rupture fondamentale, négligence, déclaration inexacte ou toute autre base contractuelle ou délictuelle), sauf responsabilités qui ne peuvent être supprimées ou limitées par la loi, Lenovo ne sera responsable qu'à concurrence des dommages directs réels, à hauteur de la somme payée pour acquérir le produit. Cette limite ne s'applique pas aux dommages corporels (incluant le décès) et aux dommages aux biens matériels, mobiliers et immobiliers pour lesquels Lenovo est légalement responsable.

Cette limitation de responsabilité s'applique également aux fournisseurs et revendeurs de Lenovo et à votre Fournisseur de Services. C'est le maximum pour lequel Lenovo, ses fournisseurs, ses revendeurs et votre Fournisseur de Services sont collectivement responsables.

LENOVO, SES FOURNISSEURS, SES REVENDEURS ET LES FOURNISSEURS DE SERVICES NE PEUVENT EN AUCUN CAS ETRE TENUS RESPONSABLES DES DOMMAGES SUIVANTS, ET CE, MEME

S'ILS ONT ETE INFORMES DE LEUR POSSIBLE SURVENANCE : 1) TOUTE RECLAMATION OU ACTION DIRIGEE CONTRE VOUS PAR UN TIERS AU TITRE DE PERTES OU DE DOMMAGES ENCOURUS ; 2) PERTE OU DETERIORATION DE DONNEES ; OU 3) DOMMAGES INDIRECTS OU SPECIAUX OU PREJUDICE ECONOMIQUE INDIRECT COMPRENANT LA PERTE DE BENEFICES, DE CHIFFRE D'AFFAIRES, DE CLIENTELE OU D'ECONOMIES ESCOMPTEES. CERTAINS ETATS OU LEGISLATIONS N'AUTORISENT PAS LA LIMITATION OU L'EXCLUSION DE PREJUDICES ACCESSOIRES OU INDIRECTS, AUQUEL CAS L'EXCLUSION OU LA LIMITATION QUI PRECEDE NE VOUS SERA PAS APPLICABLE.

Règlement des différends

Si vous avez acquis le produit **au Cambodge, en Indonésie, aux Philippines, au Vietnam ou au Sri Lanka**, les différends directement ou indirectement liés à la présente Garantie feront l'objet d'un arbitrage définitif à Singapour et cette Garantie sera régie, interprétée et appliquée conformément aux lois en vigueur à Singapour sans tenir compte des conflits de lois. Si vous avez acquis le produit en **Inde**, les différends directement ou indirectement liés à la présente Garantie feront l'objet d'un arbitrage définitif à Bangalore (Inde). L'arbitrage à Singapour s'effectuera selon les règles d'arbitrage du Centre d'Arbitrage International de Singapour ("Règles SIAC") en vigueur à ce moment-là. L'arbitrage en Inde s'effectuera conformément aux lois en vigueur en Inde. La sentence arbitrale sera définitive et liera les parties, sans possibilité d'appel. Elle sera sous forme écrite, et énoncera les faits et les conclusions de la loi. La totalité des débats d'arbitrage, ainsi que tous les documents présentés dans le cadre de ceux-ci, seront en langue anglaise et la version anglaise de la présente Garantie prévaut sur toute autre version dans une autre langue.

Autres droits

CETTE GARANTIE VOUS CONFERE DES DROITS SPECIFIQUES, ET IL EST POSSIBLE QUE VOUS DETENIEZ D'AUTRES DROITS, DONT LA NATURE VARIE SELON LA LEGISLATION QUI VOUS EST APPLICABLE. IL EST POSSIBLE QUE VOUS DETENIEZ D'AUTRES DROITS CONFORMEMENT A LA LOI EN VIGUEUR OU A UN ACCORD ECRIT AVEC LENOVO. LA PRESENTE DECLARATION DE GARANTIE NE PORTE ATTEINTE A AUCUNE DES DISPOSITIONS D'ORDRE PUBLIC RELATIVES AUX DROITS DES CONSOMMATEURS, Y COMPRIS CEUX QUI SONT LIES A LA LOI NATIONALE EN VIGUEUR REGISSANT LA VENTE DE BIENS DE CONSOMMATION.

Espace économique européen (EEA)

Les clients qui se trouvent dans l'espace économique européen peuvent contacter Lenovo à l'adresse suivante : Lenovo Warranty & Service Quality Dept., PO Box 19547, Inverkip Road, Greenock, Scotland PA16 9WX. Le service prévu par la présente Garantie concernant les produits matériels Lenovo achetés dans les pays appartenant à l'espace économique européen est disponible dans tout pays de cette zone dans lequel le produit a été annoncé et commercialisé par Lenovo.

La présente Garantie Lenovo est disponible dans d'autres langues à l'adresse www.lenovo.com/warranty.

Informations relatives à la Garantie

Type de machine	Pays ou Région d'acquisition	Période de garantie	Type de service prévu par la garantie
6008	Europe, Moyen Orient, Afrique, Australie, Nouvelle-Zélande, Singapour, Inde, Malaisie, Thaïlande, Indonésie, Philippines, Vietnam, Brunei, Sri Lanka, Bangladesh, Corée, République populaire de Chine, Hong Kong (R.A.S), Taïwan	Pièces et main-d'oeuvre - 1 an	1 et 2
	Japon	Pièces et main-d'oeuvre - 1 an	1 et 3
6010	Amérique latine, Brésil, Europe, Moyen Orient, Afrique, Australie, Nouvelle-Zélande, Singapour, Inde, Malaisie, Thaïlande, Indonésie, Philippines, Vietnam, Brunei, Sri Lanka, Bangladesh, Corée, République populaire de Chine, Hong Kong (R.A.S), Taïwan	Pièces et main-d'oeuvre - 1 an	1 et 2
	Japon	Pièces et main-d'oeuvre - 1 an	1 et 3

Type de machine	Pays ou Région d'acquisition	Période de garantie	Type de service prévu par la garantie
6019	Amérique latine, Brésil, Europe, Moyen Orient, Afrique, Australie, Nouvelle-Zélande, Singapour, Inde, Malaisie, Thaïlande, Indonésie, Philippines, Vietnam, Brunei, Sri Lanka, Bangladesh, Corée, République populaire de Chine, Hong Kong (R.A.S), Taïwan	Pièces et main-d'oeuvre - 1 an	1 et 2
	Japon	Pièces et main-d'oeuvre - 1 an	1 et 3
6062	Amérique latine, Brésil, Europe, Moyen Orient, Afrique, Australie, Nouvelle-Zélande, Singapour, Inde, Malaisie, Thaïlande, Indonésie, Philippines, Vietnam, Brunei, Sri Lanka, Bangladesh, Corée, République populaire de Chine, Hong Kong (R.A.S), Taïwan	Pièces et main-d'oeuvre - 1 an	1 et 2
	Japon	Pièces et main-d'oeuvre - 1 an	1 et 3
6064	Amérique latine, Brésil, Europe, Moyen Orient, Afrique, Australie, Nouvelle-Zélande, Singapour, Inde, Malaisie, Thaïlande, Indonésie, Philippines, Vietnam, Brunei, Sri Lanka, Bangladesh, Corée, République populaire de Chine, Hong Kong (R.A.S), Taïwan	Pièces et main-d'oeuvre - 1 an	1 et 2
	Japon	Pièces et main-d'oeuvre - 1 an	1 et 3
6065	Australie, Nouvelle-Zélande, Singapour, Inde, Malaisie, Thaïlande, Indonésie, Philippines, Vietnam, Brunei, Sri Lanka, Bangladesh, République populaire de Chine, Hong Kong (R.A.S), Taïwan	Pièces - 3 ans Main-d'oeuvre - 1 an	1 et 2
	Europe, Moyen-Orient et Afrique	Pièces et main-d'oeuvre - 3 ans	1 et 4

Type de machine	Pays ou Région d'acquisition	Période de garantie	Type de service prévu par la garantie
6066	Australie, Nouvelle-Zélande, Singapour, Inde, Malaisie, Thaïlande, Indonésie, Philippines, Vietnam, Brunei, Sri Lanka, Bangladesh, République populaire de Chine, Hong Kong (R.A.S), Taïwan	Pièces - 3 ans Main-d'oeuvre - 1 an	1 et 2
	Europe, Moyen-Orient et Afrique	Pièces et main-d'oeuvre - 3 ans	1 et 4
6067	Australie, Nouvelle-Zélande, Singapour, Inde, Malaisie, Thaïlande, Indonésie, Philippines, Vietnam, Brunei, Sri Lanka, Bangladesh, République populaire de Chine, Hong Kong (R.A.S), Taïwan	Pièces - 3 ans Main-d'oeuvre - 1 an	1 et 2
	Europe, Moyen-Orient et Afrique	Pièces et main-d'oeuvre - 3 ans	1 et 4
6068	Australie, Nouvelle-Zélande, Singapour, Inde, Malaisie, Thaïlande, Indonésie, Philippines, Vietnam, Brunei, Sri Lanka, Bangladesh, République populaire de Chine, Hong Kong (R.A.S), Taïwan	Pièces - 3 ans Main-d'oeuvre - 1 an	1 et 2
	Europe, Moyen-Orient et Afrique	Pièces et main-d'oeuvre - 3 ans	1 et 4
6069	Australie, Nouvelle-Zélande, Singapour, Inde, Malaisie, Thaïlande, Indonésie, Philippines, Vietnam, Brunei, Sri Lanka, Bangladesh, République populaire de Chine, Hong Kong (R.A.S), Taïwan	Pièces - 3 ans Main-d'oeuvre - 1 an	1 et 2
	Europe, Moyen-Orient et Afrique	Pièces et main-d'oeuvre - 3 ans	1 et 4

Type de machine	Pays ou Région d'acquisition	Période de garantie	Type de service prévu par la garantie
6071	Etats-Unis, Canada, Amérique latine, Brésil, Europe, Moyen Orient, Afrique, Australie, Nouvelle-Zélande, Singapour, Inde, Malaisie, Thaïlande, Indonésie, Philippines, Vietnam, Brunei, Sri Lanka, Bangladesh, Corée, République populaire de Chine, Hong Kong (R.A.S), Taïwan	Pièces et main-d'oeuvre - 3 ans	1 et 2
	Japon	Pièces et main-d'oeuvre - 1 an	1 et 3
6072	Etats-Unis, Canada, Amérique latine, Brésil, Europe, Moyen Orient, Afrique, Australie, Nouvelle-Zélande, Singapour, Inde, Malaisie, Thaïlande, Indonésie, Philippines, Vietnam, Brunei, Sri Lanka, Bangladesh, Corée, République populaire de Chine, Hong Kong (R.A.S), Taïwan	Pièces et main-d'oeuvre - 3 ans	1 et 2
	Japon	Pièces et main-d'oeuvre - 1 an	1 et 3
6073	Etats-Unis, Canada, Amérique latine, Brésil, Europe, Moyen Orient, Afrique, Australie, Nouvelle-Zélande, Singapour, Inde, Malaisie, Thaïlande, Indonésie, Philippines, Vietnam, Brunei, Sri Lanka, Bangladesh, Corée, République populaire de Chine, Hong Kong (R.A.S), Taïwan	Pièces et main-d'oeuvre - 3 ans	1 et 2
	Japon	Pièces et main-d'oeuvre - 1 an	1 et 3
6074	Europe, Moyen Orient, Afrique, Australie, Nouvelle-Zélande, Singapour, Inde, Malaisie, Thaïlande, Indonésie, Philippines, Vietnam, Brunei, Sri Lanka, Bangladesh, Corée, République populaire de Chine, Hong Kong (R.A.S), Taïwan	Pièces et main-d'oeuvre - 3 ans	1 et 2
	Japon	Pièces et main-d'oeuvre - 1 an	1 et 3

Type de machine	Pays ou Région d'acquisition	Période de garantie	Type de service prévu par la garantie
6075	Etats-Unis, Canada, Amérique latine, Brésil, Europe, Moyen Orient, Afrique, Australie, Nouvelle-Zélande, Singapour, Inde, Malaisie, Thaïlande, Indonésie, Philippines, Vietnam, Brunei, Sri Lanka, Bangladesh, Corée, République populaire de Chine, Hong Kong (R.A.S), Taïwan	Pièces et main-d'oeuvre - 3 ans	1 et 2
	Japon	Pièces et main-d'oeuvre - 1 an	1 et 3
6076	Etats-Unis, Canada, Amérique latine, Brésil, Europe, Moyen Orient, Afrique, Japon, Australie, Nouvelle-Zélande, Singapour, Inde, Malaisie, Thaïlande, Indonésie, Philippines, Vietnam, Brunei, Sri Lanka, Bangladesh, Corée, République populaire de Chine, Hong Kong (R.A.S), Taïwan	Pièces et main-d'oeuvre - 4 ans	1 et 2
6077	Etats-Unis, Canada, Amérique latine, Brésil, Europe, Moyen Orient, Afrique, Japon, Australie, Nouvelle-Zélande, Singapour, Inde, Malaisie, Thaïlande, Indonésie, Philippines, Vietnam, Brunei, Sri Lanka, Bangladesh, Corée, République populaire de Chine, Hong Kong (R.A.S), Taïwan	Pièces et main-d'oeuvre - 4 ans	1 et 2
6078	Etats-Unis, Canada, Amérique latine, Brésil, Europe, Moyen Orient, Afrique, Japon, Australie, Nouvelle-Zélande, Singapour, Inde, Malaisie, Thaïlande, Indonésie, Philippines, Vietnam, Brunei, Sri Lanka, Bangladesh, Corée, République populaire de Chine, Hong Kong (R.A.S), Taïwan	Pièces et main-d'oeuvre - 4 ans	1 et 2
6079	Europe, Moyen Orient, Afrique, Japon, Australie, Nouvelle-Zélande, Singapour, Inde, Malaisie, Thaïlande, Indonésie, Philippines, Vietnam, Brunei, Sri Lanka, Bangladesh, Corée, République populaire de Chine, Hong Kong (R.A.S), Taïwan	Pièces et main-d'oeuvre - 4 ans	1 et 2

Type de machine	Pays ou Région d'acquisition	Période de garantie	Type de service prévu par la garantie
6081	Etats-Unis, Canada, Amérique latine, Brésil, Europe, Moyen Orient, Afrique, Japon, Australie, Nouvelle-Zélande, Singapour, Inde, Malaisie, Thaïlande, Indonésie, Philippines, Vietnam, Brunei, Sri Lanka, Bangladesh, Corée, République populaire de Chine, Hong Kong (R.A.S), Taïwan	Pièces et main-d'oeuvre - 4 ans	1 et 2
6082	Europe, Moyen Orient, Afrique, Japon, Australie, Nouvelle-Zélande, Singapour, Inde, Malaisie, Thaïlande, Indonésie, Philippines, Vietnam, Brunei, Sri Lanka, Bangladesh, Corée, République populaire de Chine, Hong Kong (R.A.S), Taïwan	Pièces et main-d'oeuvre - 3 ans	1 et 2
6086	Etats-Unis, Canada, Amérique latine, Brésil, Europe, Moyen Orient, Afrique, Japon, Australie, Nouvelle-Zélande, Singapour, Inde, Malaisie, Thaïlande, Indonésie, Philippines, Vietnam, Brunei, Sri Lanka, Bangladesh, Corée, République populaire de Chine, Hong Kong (R.A.S), Taïwan	Pièces et main-d'oeuvre - 3 ans	1 et 2
6087	Etats-Unis, Canada, Amérique latine, Brésil, Europe, Moyen Orient, Afrique, Japon, Australie, Nouvelle-Zélande, Singapour, Inde, Malaisie, Thaïlande, Indonésie, Philippines, Vietnam, Brunei, Sri Lanka, Bangladesh, Corée, République populaire de Chine, Hong Kong (R.A.S), Taïwan	Pièces et main-d'oeuvre - 3 ans	1 et 2
6088	Etats-Unis, Canada, Amérique latine, Brésil, Europe, Moyen Orient, Afrique, Japon, Australie, Nouvelle-Zélande, Singapour, Inde, Malaisie, Thaïlande, Indonésie, Philippines, Vietnam, Brunei, Sri Lanka, Bangladesh, Corée, République populaire de Chine, Hong Kong (R.A.S), Taïwan	Pièces et main-d'oeuvre - 3 ans	1 et 2
6089	Etats-Unis, Canada, Amérique latine, Brésil, Europe, Moyen Orient, Afrique, Japon, Australie, Nouvelle-Zélande, Singapour, Inde, Malaisie, Thaïlande, Indonésie, Philippines, Vietnam, Brunei, Sri Lanka, Bangladesh, Corée, République populaire de Chine, Hong Kong (R.A.S), Taïwan	Pièces et main-d'oeuvre - 3 ans	1 et 2

Type de machine	Pays ou Région d'acquisition	Période de garantie	Type de service prévu par la garantie
9011	Amérique latine, Brésil, Europe, Moyen Orient, Afrique, Australie, Nouvelle-Zélande, Singapour, Inde, Malaisie, Thaïlande, Indonésie, Philippines, Vietnam, Brunei, Sri Lanka, Bangladesh, Corée, République populaire de Chine, Hong Kong (R.A.S), Taïwan	Pièces et main-d'oeuvre - 1 an	1 et 2
	Japon	Pièces et main-d'oeuvre - 1 an	1 et 3
9012	Europe, Moyen Orient, Afrique, Australie, Nouvelle-Zélande, Singapour, Inde, Malaisie, Thaïlande, Indonésie, Philippines, Vietnam, Brunei, Sri Lanka, Bangladesh, Corée, République populaire de Chine, Hong Kong (R.A.S), Taïwan	Pièces et main-d'oeuvre - 1 an	1 et 2
	Japon	Pièces et main-d'oeuvre - 1 an	1 et 3
9013	Amérique latine, Brésil, Europe, Moyen Orient, Afrique, Australie, Nouvelle-Zélande, Singapour, Inde, Malaisie, Thaïlande, Indonésie, Philippines, Vietnam, Brunei, Sri Lanka, Bangladesh, Corée, République populaire de Chine, Hong Kong (R.A.S), Taïwan	Pièces et main-d'oeuvre - 1 an	1 et 2
	Japon	Pièces et main-d'oeuvre - 1 an	1 et 3
9014	Australie, Nouvelle-Zélande, Singapour, Inde, Malaisie, Thaïlande, Indonésie, Philippines, Vietnam, Brunei, Sri Lanka, Bangladesh, République populaire de Chine, Hong Kong (R.A.S), Taïwan	Pièces - 3 ans Main-d'oeuvre - 1 an	1 et 2
	Europe, Moyen-Orient et Afrique	Pièces et main-d'oeuvre - 3 ans	1 et 4

Type de machine	Pays ou Région d'acquisition	Période de garantie	Type de service prévu par la garantie
9018	Australie, Nouvelle-Zélande, Singapour, Inde, Malaisie, Thaïlande, Indonésie, Philippines, Vietnam, Brunei, Sri Lanka, Bangladesh, République populaire de Chine, Hong Kong (R.A.S), Taïwan	Pièces - 3 ans Main-d'oeuvre - 1 an	1 et 2
	Europe, Moyen-Orient et Afrique	Pièces et main-d'oeuvre - 3 ans	1 et 4
9019	Australie, Nouvelle-Zélande, Singapour, Inde, Malaisie, Thaïlande, Indonésie, Philippines, Vietnam, Brunei, Sri Lanka, Bangladesh, République populaire de Chine, Hong Kong (R.A.S), Taïwan	Pièces - 3 ans Main-d'oeuvre - 1 an	1 et 2
	Europe, Moyen-Orient et Afrique	Pièces et main-d'oeuvre - 3 ans	1 et 4
9071	Etats-Unis, Canada, Amérique latine, Brésil, Europe, Moyen Orient, Afrique, Australie, Nouvelle-Zélande, Singapour, Inde, Malaisie, Thaïlande, Indonésie, Philippines, Vietnam, Brunei, Sri Lanka, Bangladesh, Corée, République populaire de Chine, Hong Kong (R.A.S), Taïwan	Pièces et main-d'oeuvre - 3 ans	1 et 2
	Japon	Pièces et main-d'oeuvre - 1 an	1 et 3
9087	Europe, Moyen Orient, Afrique, Australie, Nouvelle-Zélande, Singapour, Inde, Malaisie, Thaïlande, Indonésie, Philippines, Vietnam, Brunei, Sri Lanka, Bangladesh, Corée, République populaire de Chine, Hong Kong (R.A.S), Taïwan	Pièces et main-d'oeuvre - 3 ans	1 et 2
	Japon	Pièces et main-d'oeuvre - 1 an	1 et 3

Type de machine	Pays ou Région d'acquisition	Période de garantie	Type de service prévu par la garantie
9088	Etats-Unis, Canada, Amérique latine, Brésil, Europe, Moyen Orient, Afrique, Australie, Nouvelle-Zélande, Singapour, Inde, Malaisie, Thaïlande, Indonésie, Philippines, Vietnam, Brunei, Sri Lanka, Bangladesh, Corée, République populaire de Chine, Hong Kong (R.A.S), Taïwan	Pièces et main-d'oeuvre - 3 ans	1 et 2
	Japon	Pièces et main-d'oeuvre - 1 an	1 et 3
9089	Etats-Unis, Canada, Amérique latine, Brésil, Europe, Moyen Orient, Afrique, Japon, Australie, Nouvelle-Zélande, Singapour, Inde, Malaisie, Thaïlande, Indonésie, Philippines, Vietnam, Brunei, Sri Lanka, Bangladesh, Corée, République populaire de Chine, Hong Kong (R.A.S), Taïwan	Pièces et main-d'oeuvre - 4 ans	1 et 2
9096	Europe, Moyen Orient, Afrique, Japon, Australie, Nouvelle-Zélande, Singapour, Inde, Malaisie, Thaïlande, Indonésie, Philippines, Vietnam, Brunei, Sri Lanka, Bangladesh, Corée, République populaire de Chine, Hong Kong (R.A.S), Taïwan	Pièces et main-d'oeuvre - 4 ans	1 et 2
9160	Etats-Unis, Canada, Amérique latine, Brésil, Europe, Moyen Orient, Afrique, Japon, Australie, Nouvelle-Zélande, Singapour, Inde, Malaisie, Thaïlande, Indonésie, Philippines, Vietnam, Brunei, Sri Lanka, Bangladesh, Corée, République populaire de Chine, Hong Kong (R.A.S), Taïwan	Pièces et main-d'oeuvre - 4 ans	1 et 2
9162	Etats-Unis, Canada, Amérique latine, Brésil, Europe, Moyen Orient, Afrique, Japon, Australie, Nouvelle-Zélande, Singapour, Inde, Malaisie, Thaïlande, Indonésie, Philippines, Vietnam, Brunei, Sri Lanka, Bangladesh, Corée, République populaire de Chine, Hong Kong (R.A.S), Taïwan	Pièces et main-d'oeuvre - 3 ans	1 et 2

Type de machine	Pays ou Région d'acquisition	Période de garantie	Type de service prévu par la garantie
9163	Europe, Moyen Orient, Afrique, Japon, Australie, Nouvelle-Zélande, Singapour, Inde, Malaisie, Thaïlande, Indonésie, Philippines, Vietnam, Brunei, Sri Lanka, Bangladesh, Corée, République populaire de Chine, Hong Kong (R.A.S), Taïwan	Pièces et main-d'oeuvre - 3 ans	1 et 2
9164	Etats-Unis, Canada, Amérique latine, Brésil, Europe, Moyen Orient, Afrique, Japon, Australie, Nouvelle-Zélande, Singapour, Inde, Malaisie, Thaïlande, Indonésie, Philippines, Vietnam, Brunei, Sri Lanka, Bangladesh, Corée, République populaire de Chine, Hong Kong (R.A.S), Taïwan	Pièces et main-d'oeuvre - 3 ans	1 et 2
9172*	Europe, Moyen Orient, Afrique, Australie, Nouvelle-Zélande, Singapour, Inde, Malaisie, Thaïlande, Indonésie, Philippines, Vietnam, Brunei, Sri Lanka, Bangladesh, Corée, République populaire de Chine, Hong Kong (R.A.S), Taïwan	Pièces et main-d'oeuvre - 3 ans	1 et 2
	Japon	Pièces et main-d'oeuvre - 1 an	1 et 3
9174*	Etats-Unis, Canada, Amérique latine, Brésil, Europe, Moyen Orient, Afrique, Japon, Australie, Nouvelle-Zélande, Singapour, Inde, Malaisie, Thaïlande, Indonésie, Philippines, Vietnam, Brunei, Sri Lanka, Bangladesh, Corée, République populaire de Chine, Hong Kong (R.A.S), Taïwan	Pièces et main-d'oeuvre - 3 ans	1 et 2
	Japon	Pièces et main-d'oeuvre - 1 an	1 et 3

Type de machine	Pays ou Région d'acquisition	Période de garantie	Type de service prévu par la garantie
9181*	Etats-Unis, Canada, Amérique latine, Brésil, Europe, Moyen Orient, Afrique, Japon, Australie, Nouvelle-Zélande, Singapour, Inde, Malaisie, Thaïlande, Indonésie, Philippines, Vietnam, Brunei, Sri Lanka, Bangladesh, Corée, République populaire de Chine, Hong Kong (R.A.S), Taïwan	Pièces et main-d'oeuvre - 3 ans	1 et 2
	Japon	Pièces et main-d'oeuvre - 1 an	1 et 3
9182*	Etats-Unis, Canada, Amérique latine, Brésil, Europe, Moyen Orient, Afrique, Japon, Australie, Nouvelle-Zélande, Singapour, Inde, Malaisie, Thaïlande, Indonésie, Philippines, Vietnam, Brunei, Sri Lanka, Bangladesh, Corée, République populaire de Chine, Hong Kong (R.A.S), Taïwan	Pièces et main-d'oeuvre - 3 ans	1 et 2
	Japon	Pièces et main-d'oeuvre - 1 an	1 et 3
9193*	Europe, Moyen Orient, Afrique, Japon, Australie, Nouvelle-Zélande, Singapour, Inde, Malaisie, Thaïlande, Indonésie, Philippines, Vietnam, Brunei, Sri Lanka, Bangladesh, Corée, République populaire de Chine, Hong Kong (R.A.S), Taïwan	Pièces et main-d'oeuvre - 3 ans	1 et 2
	Japon	Pièces et main-d'oeuvre - 1 an	1 et 3
9194*	Etats-Unis, Canada, Amérique latine, Brésil, Europe, Moyen Orient, Afrique, Japon, Australie, Nouvelle-Zélande, Singapour, Inde, Malaisie, Thaïlande, Indonésie, Philippines, Vietnam, Brunei, Sri Lanka, Bangladesh, Corée, République populaire de Chine, Hong Kong (R.A.S), Taïwan	Pièces et main-d'oeuvre - 3 ans	1 et 2
	Japon	Pièces et main-d'oeuvre - 1 an	1 et 3

Type de machine	Pays ou Région d'acquisition	Période de garantie	Type de service prévu par la garantie
9196*	Etats-Unis, Canada, Amérique latine, Brésil, Europe, Moyen Orient, Afrique, Japon, Australie, Nouvelle-Zélande, Singapour, Inde, Malaisie, Thaïlande, Indonésie, Philippines, Vietnam, Brunei, Sri Lanka, Bangladesh, Corée, République populaire de Chine, Hong Kong (R.A.S), Taïwan	Pièces et main-d'oeuvre - 3 ans	1 et 2
	Japon	Pièces et main-d'oeuvre - 1 an	1 et 3
9303*	Etats-Unis, Canada, Amérique latine, Brésil, Europe, Moyen Orient, Afrique, Japon, Australie, Nouvelle-Zélande, Singapour, Inde, Malaisie, Thaïlande, Indonésie, Philippines, Vietnam, Brunei, Sri Lanka, Bangladesh, Corée, République populaire de Chine, Hong Kong (R.A.S), Taïwan	Pièces et main-d'oeuvre - 3 ans	1 et 2
	Japon	Pièces et main-d'oeuvre - 1 an	1 et 3
9304	Europe, Moyen-Orient et Afrique	Pièces - 3 ans Main-d'oeuvre - 1 an	1 et 3

* Signale les machines Energy Star

Si nécessaire, votre fournisseur de services vous fournira un service de réparation ou de remplacement selon le type de service prévu par la garantie correspondant à votre produit et du service disponible. Le planning du service sera fonction de l'heure de votre appel, de la disponibilité des composants et d'autres facteurs.

Une période de garantie de 3 ans pour les pièces et d'1 an pour la main-d'oeuvre signifie que Lenovo fournit à titre gratuit le service prévu par la garantie :

a. pour les pièces et la main-d'oeuvre pendant la première année de la période de garantie (ou sur une période plus longue selon la loi) ;

b. uniquement pour les pièces, sous forme de remplacement, au cours de la deuxième et de la troisième année de la période de garantie. Votre fournisseur de services vous facturera toute main-d'oeuvre fournie pour l'exécution de la réparation ou du/des remplacement(s) au cours de la deuxième et de la troisième année de la période garantie.

Types de services prévus par la garantie

1. Service pour les unités remplaçables par l'utilisateur (CRU)

Dans le cadre de ce service, votre fournisseur de services vous livrera ces unités pour que vous effectuiez leur installation. La plupart d'entre elles sont faciles à installer tandis que pour d'autres, certaines compétences techniques et outils sont requis. Les informations sur les CRU et les instructions de remplacement sont fournies avec le produit et sont disponibles auprès de Lenovo à tout moment sur simple demande. Vous pouvez demander à un fournisseur de services d'installer certains types d'unités CRU conformément à l'une ou l'autre des dispositions de garantie prévues pour le produit. L'installation des unités CRU externes (telles que la souris, les claviers ou les moniteurs) vous incombe. Lenovo précise dans les éléments fournis avec une CRU de remplacement si l'unité défectueuse doit lui être renvoyée. Si c'est le cas, 1) les instructions de retour, ainsi qu'un numéro de référence pour la livraison et un conteneur sont fournis avec le matériel et 2) l'unité CRU de remplacement peut vous être facturée si le fournisseur de services ne reçoit pas l'unité défectueuse dans un délai de trente (30) jours à compter de la réception de l'unité de remplacement.

2. Service sur site

Dans le cadre du service sur site, votre fournisseur de services réparera ou remplacera le produit dans vos locaux. Vous devez mettre à disposition une zone de travail appropriée permettant le démontage et le remontage du produit Lenovo. Pour certains produits et certaines réparations, votre fournisseur de services peut être amené à envoyer le produit à un centre de maintenance désigné.

3. Service de collecte ou de dépôt

Dans le cadre du service de collecte ou de dépôt, le produit sera réparé ou remplacé dans un centre de maintenance désigné, l'acheminement du matériel étant organisé par votre fournisseur de services. Il vous incombe de déconnecter le produit. Il vous sera fourni un conteneur d'expédition pour que vous renvoyiez le produit à un centre de maintenance désigné. Un transporteur récupérera le produit et le livrera au centre de maintenance désigné. A la suite de la réparation ou du remplacement du produit, le centre de maintenance organisera la livraison en retour du produit à votre site.

4. Service de livraison ou d'expédition par le client

Dans le cadre du service de livraison ou d'expédition par le client, le produit sera réparé ou remplacé dans un centre de maintenance désigné, l'organisation de l'expédition ou de la livraison étant de votre ressort. Vous êtes chargé de livrer ou d'expédier, selon les instructions de votre fournisseur de services (frais de transport payés d'avance, sauf indication contraire), le produit convenablement conditionné à un site désigné. Une fois réparé ou remplacé, le produit sera mis à votre disposition à des fins de collecte. Si vous ne le récupérez pas, le fournisseur de services pourra en disposer comme il l'entend. Dans le cadre du service d'expédition, Lenovo vous renverra le produit réparé ou remplacé en port payé, sauf indication contraire de votre fournisseur de services.

Annexe à la Garantie pour le Mexique

La présente annexe est considérée comme faisant partie intégrante de la Déclaration de Garantie Lenovo et sera effective uniquement et exclusivement pour les produits distribués et commercialisés sur le Territoire des Etats-Unis du Mexique. En cas de contradiction entre les documents, les dispositions de la présente annexe prévaudront.

Tous les logiciels préchargés sur le matériel auront uniquement une garantie de trente (30) jours pour les incidents d'installation à compter de la date d'achat. Lenovo ne pourra être tenue responsable pour les informations de ces logiciels, ni pour tout logiciel supplémentaire installé par vous-même ou installé après l'achat du produit.

Les services non couverts par la garantie seront facturés à l'utilisateur final, avant autorisation.

Si une réparation couverte par la garantie est requise, appelez le centre de support au 001-866-434-2080, qui vous dirigera vers le centre de maintenance agréé le plus proche. S'il n'existe aucun centre de maintenance agréé dans votre ville, votre zone d'implantation, ni dans un rayon de 70 kilomètres autour de votre ville ou de votre zone d'implantation, la garantie inclut tous les frais de livraison raisonnables liés au transport du produit jusqu'à notre centre de maintenance agréé le plus proche. Veuillez appeler le centre de maintenance agréé le plus proche pour obtenir les approbations et les informations nécessaires concernant l'expédition du produit et l'adresse d'expédition.

Pour obtenir la liste des services d'assistance agréés, consultez le site :

<http://www.lenovo.com/mx/es/servicios>

Fabriqué par :

SCI Systems de México, S.A. de C.V.

Av. De la Solidaridad Iberoamericana No. 7020

Col. Club de Golf Atlas

El Salto, Jalisco, México

C.P. 45680,

Tél : 01-800-3676900

Commercialisé par :

Lenovo de México, Comercialización y

Servicios, S. A. de C. V.

Alfonso Nápoles Gándara No 3111

Parque Corporativo de Peña Blanca

Delegación Álvaro Obregón

México, D.F., México

C.P. 01210,

Tél : 01-800-00-325-00

Chapitre 4. Liste de numéros de téléphone pour le monde entier

Pays ou Région	Numéro de téléphone
Afrique	Afrique : +44 (0)1475-555-055 555 055 Afrique du Sud : +27-11-3028888 et 0800110756 Afrique centrale : Prenez contact avec le partenaire commercial Lenovo le plus proche.
Allemagne	Support prévu pour le fonctionnement : 07032-15-49201 Support et services prévus par la garantie : 01805-25-35-58 (allemand)
Argentine	0800-666-0011 (espagnol)
Australie	131-426 (anglais)
Autriche	Support prévu pour le fonctionnement : 01-24592-5901 Support et services prévus par la garantie : 01-211-454-610 (allemand)
Belgique	Support prévu pour le fonctionnement : 02-210-9820 (néerlandais) Support prévu pour le fonctionnement : 02-210-9800 (français) Support et services prévus par la garantie : 02-225-3611 (néerlandais, français)
Bolivie	0800-10-0189 (espagnol)
Brésil	Région de Sao Paulo : (11) 3889-8986 En dehors de la région de Sao Paulo : 0800-701-4815 (brésilien)
Canada	Toronto : 416-383-3344 Hors Toronto : 1-800-565-3344 (anglais, français)
Chili	800-361-213 Appel gratuit : 188-800-442-488 (espagnol)
Chine	86-10-58851110 800-990-8888 (mandarin)
Chine (Région administrative spéciale de Hong Kong)	ThinkCentre Commercial PC : 8205-0333 Multimedia Home PC : 800-938-228 (cantonais, anglais, mandarin)
Chine (Région administrative spéciale de Macao)	ThinkCentre (numéro d'urgence Service Technique) : 0800-336 (cantonais, anglais, mandarin)

Pays ou Région	Numéro de téléphone
Colombie	1-800-912-3021 (espagnol)
Corée	1588-5801 (coréen)
Costa Rica	0-800-011-1029 (espagnol)
Croatie	0800-0426
Chypre	+357-22-841100
Danemark	Support prévu pour le fonctionnement : 4520-8200 Support et services prévus par la garantie : 7010-5150 (danois)
El Salvador	800-6264 (espagnol)
Equateur	1-800-426911 (espagnol)
Espagne	91-714-7983 0901-100-000 (espagnol)
Estonie	+372 6776793 +372 66 00 800
Etats-Unis	1-800-426-7378 (anglais)
Finlande	Support prévu pour le fonctionnement : 09-459-6960 Support et services prévus par la garantie : +358-800-1-4260 (finnois)
France	Support prévu pour le fonctionnement : 0238-557-450 Support et services prévus par la garantie : Matériel : 0810-631-213 Logiciel : 0810-631-020 (français)
Grèce	+30-210-680-1700
Guatemala	1800-624-0051 (espagnol)
Honduras	Tegucigalpa : 232-4222 San Pedro Sula : 552-2234 (espagnol)
Hongrie	+36-1-382-5720
Inde	1800-425-6666 +91-80-2678-8970 (anglais)
Indonésie	800-140-3555 (anglais) 62-21-251-2955 (indonésien)
Irlande	Support prévu pour le fonctionnement : 01-815-9202 Support et services prévus par la garantie : 01-881-1444 (anglais)
Israël	Service d'assistance de Givat Shmuel : +972-3-531-3900 (hébreu, anglais)

Pays ou Région	Numéro de téléphone
Italie	Support prévu pour le fonctionnement : 02-7031-6101 Support et services prévus par la garantie : +39-800-820094 (italien)
Japon	Appel gratuit : 0120-20-5550 International : +81-46-266-4716 Les répondeurs des numéros ci-dessus sont en japonais. Pour obtenir un support téléphonique en anglais, veuillez attendre la fin du message en japonais et un opérateur vous répondra. Dites "English support please," et votre appel sera transféré vers un opérateur anglophone. Logiciels : 0120-558-695 Appels outre-mer : +81-44-200-8666 (japonais)
Lettonie	+371 7070360
Lituanie	+370 5 278 66 00
Luxembourg	+352-298-977-5063 (français)
Malaisie	1800-88-8558 (anglais, malais)
Malte	+35621445566
Mexique	001-866-434-2080 (espagnol)
Moyen Orient	+44 (0)1475-555-055
Nicaragua	001-800-220-1830 (espagnol)
Norvège	Support prévu pour le fonctionnement : 6681-1100 Support et services prévus par la garantie : 8152-1550 (norvégien)
Nouvelle-Zélande	0800-733-222 (anglais)
Panama	001-866-434-2080 (Appel gratuit) 206-6047 (espagnol)
Pays-Bas	+31-20-514-5770 (néerlandais)
Pérou	0-800-50-866 (espagnol)
Philippines	1800-1888-1426 (anglais) 63-2-995-8420 (filipino)
Pologne	+48-22-878-6999
Portugal	+351-21-892-7147 (portugais)
République dominicaine	1-866-434-2080 (espagnol)
République tchèque	+420-2-7213-1316

Pays ou Région	Numéro de téléphone
Roumanie	+4-021-224-4015
Royaume-Uni	Support prévu pour le fonctionnement : 01475-555-055 Support prévu par la garantie : 08705-500-900 (anglais)
Russie	+7-495-258-6300 +8-800-200-6300 (russe)
Singapour	1800-3172-888 (anglais, malais)
Slovaquie	+421-2-4954-5555
Slovénie	+386-1-4796-699
Sri Lanka	+9411 2493547 +9411 2493548 (anglais)
Suède	Support prévu pour le fonctionnement : 08-477-4420 Support et services prévus par la garantie : 077-117-1040 (suédois)
Suisse	Support prévu pour le fonctionnement : 058-333-0900 Support et services prévus par la garantie : 0800-55-54-54 (allemand, français, italien)
Taiwan	886-2-8723-9799 0800-000-700 (mandarin)
Thaïlande	1-800-299-229 (thaï)
Turquie	00800-4463-2041 (turc)
Uruguay	000-411-005-6649 (espagnol)
Venezuela	0-800-100-2011 (espagnol)
Viet-Nam	Pour la partie nord et Hanoï : 84-4-843-6675 Pour la partie sud et Ho Chi Minh Ville : 84-8-829-5160 (anglais, vietnamien)

Chapitre 5. Unités remplaçables par l'utilisateur

Les unités remplaçables par l'utilisateur (CRU) sont des éléments de l'ordinateur pouvant être mis à niveau ou remplacés par l'utilisateur. Il existe deux types de CRU : les CRU internes et les CRU externes. Les unités CRU externes sont faciles à installer, tandis que les unités CRU internes nécessitent des compétences techniques et dans certains cas des outils tels qu'un tournevis. Elles peuvent toutes les deux être retirées en toute sécurité par l'utilisateur. Les unités CRU internes peuvent être remplacées et installées par les utilisateurs ou par un technicien de maintenance Lenovo au cours de la période de garantie.

Le remplacement des unités CRU externes est à la charge des utilisateurs.

Les ordinateurs de bureau contiennent des unités CRU externes et internes. Les unités CRU externes sont situées à l'extérieur de l'ordinateur. Le clavier, la souris et tout périphérique USB ainsi que le cordon d'alimentation sont des unités de ce type. Le retrait des unités CRU internes ne peut s'effectuer sans ouvrir la capot de l'ordinateur. Les modules mémoire, les unités de disque optique, les cartes et le bloc d'alimentation sont des unités CRU internes.

Les manuels *Guide d'utilisation* et *Guide d'installation et de remplacement d'options matérielles* fournissent les instructions à suivre pour remplacer les unités CRU internes et externes. Pour savoir quelle publication consulter selon vos besoins, reportez-vous au tableau 1, à la page 107 ci-dessous. Pour afficher une publication, ouvrez le menu Démarrer à partir du bureau Windows, puis sélectionnez **Tous les programmes**, **Online Books** et cliquez sur **Online Books**. Cliquez deux fois sur la publication correspondant à votre ordinateur.

Ces publications sont également disponibles sur le site Web Lenovo à l'adresse <http://www.lenovo.com>.

Remarque : Utilisez uniquement des composants fournis par Lenovo. Pour obtenir des informations de garantie sur les CRU pour le type de votre machine, voir Chapitre 3, «Déclaration de Garantie Lenovo», à la page 84.

Tableau 1. Informations relatives au remplacement des CRU

Types de machine : 6008, 6010, 6019, 6062, 6064, 6065, 6066, 6067, 6068, 6069, 6071, 6072, 6073, 6074, 6075, 6076, 6077, 6078, 6079, 6081, 6082, 6086, 6087, 6088, 6089, 9011, 9012, 9013, 9014, 9018, 9019, 9071, 9087, 9088, 9089, 9096, 9160, 9162, 9163, 9164, 9172, 9174, 9181, 9182, 9193, 9194, 9196, 9303, 9304			
CRU	Type	Type de machine	Publication
Unité de disque optique	Interne	Tous les types de machine pour ce produit.	Guide d'installation et de remplacement d'options matérielles
Unité de disque dur	Interne	Tous les types de machine pour ce produit.	Guide d'installation et de remplacement d'options matérielles
Unité de disquette	Interne	Tous les types de machine pour ce produit.	Guide d'installation et de remplacement d'options matérielles
Mémoire	Interne	Tous les types de machine pour ce produit.	Guide d'installation et de remplacement d'options matérielles
Dissipateur thermique	Interne	Tous les types de machine pour ce produit.	Guide d'installation et de remplacement d'options matérielles
Bloc d'alimentation	Interne	Tous les types de machine pour ce produit, à l'exception de : 6008, 6068, 6074, 6079, 6082, 9012, 9018, 9087, 9096, 9163, 9172, 9193	Guide d'installation et de remplacement d'options matérielles
Ventilateurs	Interne	Tous les types de machine pour ce produit.	Guide d'installation et de remplacement d'options matérielles
Carte	Interne	Tous les types de machine pour ce produit.	Guide d'installation et de remplacement d'options matérielles
Batterie CMOS	Interne	Tous les types de machine pour ce produit.	Guide d'installation et de remplacement d'options matérielles
Souris	Externe	Tous les types de machine pour ce produit.	Guide d'utilisation et Guide d'installation et de remplacement d'options matérielles
Clavier	Externe	Tous les types de machine pour ce produit.	Guide d'utilisation et Guide d'installation et de remplacement d'options matérielles

Chapitre 6. Remarques

Le présent document peut contenir des informations ou des références concernant certains produits, logiciels ou services Lenovo non annoncés dans ce pays. Pour plus de détails, référez-vous aux documents d'annonce disponibles dans votre pays, ou adressez-vous à votre partenaire commercial Lenovo. Toute référence à un produit, logiciel ou service Lenovo n'implique pas que seul ce produit, logiciel ou service puisse être utilisé. Tout autre élément fonctionnellement équivalent peut être utilisé, s'il n'enfreint aucun droit de Lenovo. Il est de la responsabilité de l'utilisateur d'évaluer et de vérifier lui-même les installations et applications réalisées avec des produits, logiciels ou services non expressément référencés par Lenovo.

Lenovo peut détenir des brevets ou des demandes de brevet couvrant les produits mentionnés dans le présent document. La remise de ce document ne vous donne aucun droit de licence sur ces brevets ou demandes de brevet. Si vous désirez recevoir des informations concernant l'acquisition de licences, veuillez en faire la demande par écrit à l'adresse suivante :

*Lenovo (United States), Inc.
1009 Think Place, Building One
Morrisville, NC 27560
U.S.A.
Attention: Lenovo Director of Licensing*

LE PRESENT DOCUMENT EST LIVRE «EN L'ETAT» SANS AUCUNE GARANTIE EXPLICITE OU IMPLICITE. LENOVO IBM DECLINE NOTAMMENT TOUTE RESPONSABILITE RELATIVE A CES INFORMATIONS EN CAS DE CONTREFAÇON AINSI QU'EN CAS DE DEFAUT D'APTITUDE A L'EXECUTION D'UN TRAVAIL DONNE. Certaines juridictions n'autorisent pas l'exclusion des garanties implicites, auquel cas l'exclusion ci-dessus ne vous sera pas applicable.

Le présent document peut contenir des inexactitudes ou des coquilles. Ce document est mis à jour périodiquement. Chaque nouvelle édition inclut les mises à jour. Lenovo peut modifier sans préavis les produits et logiciels décrits dans ce document.

Les produits décrits dans ce document ne sont pas conçus pour être implantés ou utilisés dans un environnement où un dysfonctionnement pourrait entraîner des dommages corporels ou le décès de personnes. Les informations contenues dans ce document n'affectent ni ne modifient les garanties ou les spécifications des produits Lenovo. Rien dans ce document ne doit être considéré comme une licence ou une garantie explicite ou implicite en matière de droits de propriété intellectuelle de Lenovo ou de tiers. Toutes les informations

contenues dans ce document ont été obtenues dans des environnements spécifiques et sont présentées en tant qu'illustration. Les résultats peuvent varier selon l'environnement d'exploitation utilisé.

Lenovo pourra utiliser ou diffuser, de toute manière qu'elle jugera appropriée et sans aucune obligation de sa part, tout ou partie des informations qui lui seront fournies.

Les références à des sites Web non Lenovo sont fournies à titre d'information uniquement et n'impliquent en aucun cas une adhésion aux données qu'ils contiennent. Les éléments figurant sur ces sites Web ne font pas partie des éléments du présent produit Lenovo et l'utilisation de ces sites relève de votre seule responsabilité.

Les données de performance indiquées dans ce document ont été déterminées dans un environnement contrôlé. Par conséquent, les résultats peuvent varier de manière significative selon l'environnement d'exploitation utilisé. Certaines mesures évaluées sur des systèmes en cours de développement ne sont pas garanties sur tous les systèmes disponibles. En outre, elles peuvent résulter d'extrapolations. Les résultats peuvent donc varier. Il incombe aux utilisateurs de ce document de vérifier si ces données sont applicables à leur environnement d'exploitation.

Consigne relative à la sortie télévision

La consigne ci-après s'applique aux modèles dotés en usine d'une sortie télévision.

Ce produit contient une technologie anti-duplication protégée par des brevets américains et autres droits de propriété intellectuelle appartenant à Macrovision Corporation et autres. Cette technologie ne peut être utilisée que pour un usage privé et des usages limités de visualisation. Tout autre visualisation de cette technologie doit recevoir l'accord explicite de Macrovision Corporation. Tout désassemblage et ingénierie inverse sont strictement interdits sauf si la loi vous y autorise expressément nonobstant toute interdiction contractuelle.

Marques

Lenovo, le logo Lenovo, ThinkVantage, ThinkCentre et Rescue and Recovery sont des marques de Lenovo aux Etats-Unis et/ou dans certains autres pays.

IBM et Lotus sont des marques d'International Business Machines Corporation aux Etats-Unis et/ou dans certains autres pays.

Les autres noms de sociétés, de produits et de services peuvent appartenir à des tiers.

Bruits radioélectriques

Les informations qui suivent concernent les ordinateurs Lenovo des types suivants : 6008, 6010, 6019, 6062, 6064, 6065, 6066, 6067, 6068, 6069, 6071, 6072, 6073, 6074, 6075, 6076, 6077, 6078, 6079, 6081, 6082, 6086, 6087, 6088, 6089, 9011, 9012, 9013, 9014, 9018, 9019, 9071, 9087, 9088, 9089, 9096, 9160, 9162, 9163, 9164, 9172, 9174, 9181, 9182, 9193, 9194, 9196, 9303, 9304.

Déclaration de conformité de la Federal Communications Commission (FCC)

Cet appareil respecte les limites des caractéristiques d'immunité des appareils numériques définies par la classe B, conformément au chapitre 15 de la réglementation de la FCC. La conformité aux spécifications de la classe B offre une garantie acceptable contre les perturbations électromagnétiques dans les zones résidentielles. Ce matériel génère, utilise et peut émettre de l'énergie radiofréquence. Il risque de parasiter les communications radio s'il n'est pas installé conformément aux instructions du constructeur. Toutefois, il n'est pas garanti que des perturbations n'interviendront pas pour une installation particulière. Si cet appareil provoque des perturbations gênantes dans les communications radio ou télévision, mettez-le hors tension puis sous tension pour vous en assurer. L'utilisateur peut tenter de remédier à cet incident en appliquant une ou plusieurs des mesures suivantes :

- Réorienter ou déplacer l'antenne réceptrice.
- Eloigner l'appareil du récepteur.
- Brancher l'appareil sur une prise différente de celle du récepteur, sur un circuit distinct.
- Prendre contact avec un distributeur agréé ou un représentant commercial pour obtenir de l'aide.

Lenovo ne peut pas être tenue pour responsable du brouillage des réceptions radio ou télévision résultant de l'utilisation de câbles ou connecteurs inadaptés ou de modifications non autorisées apportées à cet appareil. Toute modification non autorisée pourra annuler le droit d'utilisation de cet appareil.

Cet appareil est conforme aux restrictions définies dans le chapitre 15 de la réglementation de la FCC. Son utilisation est soumise aux deux conditions suivantes : (1) il ne peut pas causer de perturbations électromagnétiques gênantes et (2) il doit accepter toutes les perturbations reçues, y compris celles susceptibles d'occasionner un fonctionnement indésirable.

Partie compétente :

Lenovo (United States) Inc.
1009 Think Place - Building One
Morrisville, NC 27560
U.S.A.
Téléphone : (919) 294-5900



Conforme aux normes de la
Federal Communications Commission

USAGE PROFESSIONNEL OU DOMESTIQUE

Avis de conformité à la réglementation d'Industrie Canada pour la classe B

Cet appareil numérique de la classe B est conforme à la norme NMB-003 du Canada.

Avis de conformité à la directive de l'Union européenne

Le présent produit satisfait aux exigences de protection énoncées dans la directive 2004/108/CE concernant le rapprochement des législations des Etats membres relatives à la compatibilité électromagnétique. Lenovo décline toute responsabilité en cas de non-respect de cette directive résultant d'une modification non recommandée du produit, y compris l'installation de cartes en option non Lenovo.

Ce produit respecte les limites des caractéristiques d'immunité des appareils de traitement de l'information définies par la classe B de la norme européenne EN 55022 (CISPR 22). La conformité aux spécifications de la classe B offre une garantie acceptable contre les perturbations avec les appareils de communication agréés, dans les zones résidentielles.

Corée - Avis de conformité pour la classe B

이 기기는 가정용으로 전자파 적합등록을 한 기기로서
주거지역에서는 물론 모든 지역에서 사용할 수 있습니다.

Japon - Avis de conformité aux exigences du Voluntary Control Council for Interference (VCCI) pour la classe B

この装置は、情報処理装置等電波障害自主規制協議会（VCCI）の基準に基づくクラスB情報技術装置です。この装置は、家庭環境で使用することを目的としていますが、この装置がラジオやテレビジョン受信機に近接して使用されると、受信障害を引き起こすことがあります。
取扱説明書に従って正しい取り扱いをして下さい。

Avis de conformité aux normes japonaises pour les produits dont l'intensité est inférieure ou égale à 20 A par phase

高調波電流規格 JIS C 61000-3-2 適合品

Conformité aux normes relatives au clavier et à la souris pour Taïwan

本產品隨貨附已取得經濟部標準檢驗局認可之PS/2或USB的鍵盤與滑鼠一組

Taïwan - Informations de maintenance pour les produits Lenovo

台灣 Lenovo 產品服務資訊如下：
荷蘭商思惟個人電腦產品股份有限公司台灣分公司
台北市信義區信義路五段七號十九樓之一
服務電話：0800-000-700

Recommandations de la Federal Communications Commission (FCC) et des entreprises de télécommunications [Etats Unis]

1. Cet appareil est conforme aux restrictions définies dans le chapitre 68 de la réglementation de la FCC. Une étiquette est apposée sur le dispositif qui contient, entre autres, le numéro d'enregistrement FCC, le numéro USOC et l'équivalent sonnerie relatifs à cet appareil. Si ces numéros sont requis, fournissez-les à votre entreprise de télécommunications.

Remarque : Si le dispositif est un modem interne, une seconde étiquette d'enregistrement FCC est également fournie. Vous pouvez fixer cette étiquette à l'extérieur de l'ordinateur dans lequel le modem Lenovo est installé, ou le cas échéant, au dispositif externe d'accès au réseau (DAA). Placez l'étiquette dans un endroit facilement accessible, au cas où vous auriez besoin de communiquer à votre entreprise de télécommunications les informations qui y sont contenues.

2. L'équivalent sonnerie (REN) permet de déterminer le nombre de dispositifs que vous pouvez raccorder à votre ligne téléphonique et qui continueront à sonner lorsque votre numéro est appelé. Dans presque la plupart des zones, la somme de tous les équivalents sonnerie de tous les dispositifs ne doit pas excéder cinq (5). Pour connaître le nombre de dispositifs que vous pouvez raccorder à votre ligne et le nombre maximal d'équivalents sonnerie pour votre zone d'appel, adressez-vous à votre entreprise de télécommunications.
3. Si le dispositif endommage le réseau téléphonique, l'entreprise de télécommunications peut temporairement interrompre votre service. Si possible, vous serez averti à l'avance. Sinon, vous serez informé dès que possible. Vous serez également informé de vos droits en matière de recours auprès de la FCC.
4. Votre entreprise de télécommunications peut apporter des modifications à ses installations, son équipement, son fonctionnement ou ses procédures, qui risquent d'affecter le bon fonctionnement de votre appareil. Si tel est le cas, vous serez informé à l'avance de façon à ce que votre activité ne s'en ressente pas.
5. Si vous rencontrez des difficultés lors de l'utilisation de ce produit, prenez contact avec votre revendeur agréé ou appelez le centre de support. Aux États-Unis, appelez le **1-800-426-7378**. Au Canada, appelez le **1-800-565-3344**. Vous pouvez être amené à fournir la preuve d'achat.
L'entreprise de télécommunications peut vous demander de débrancher le dispositif du réseau tant que l'incident n'a pas été résolu, ou jusqu'à ce que vous puissiez garantir que le dispositif fonctionne normalement.
6. Le dispositif ne peut pas faire l'objet d'une réparation client. Si l'utilisation du dispositif provoque des incidents, prenez contact avec votre revendeur agréé ou consultez la section relative aux diagnostics du présent manuel.
7. Ce dispositif ne peut pas être utilisé sur le réseau des téléphones publics fourni par l'entreprise de télécommunications. Les connexions à des lignes d'autres fournisseurs sont assujetties aux tarifs régionaux. Pour plus d'informations, prenez contact avec votre entreprise de télécommunications (publique ou privée).
8. Lorsque vous demandez un service d'interface réseau (NI) à une entreprise de télécommunications locales, faites mention du règlement USOC RJ11C.

Recommandation d'Industrie Canada

AVIS : L'étiquette d'Industrie Canada identifie le matériel homologué. Cette étiquette certifie que le matériel est conforme à certaines normes de protection, d'exploitation et de sécurité des réseaux de télécommunications, comme le prescrivent les documents concernant les exigences techniques relatives au dispositif terminal. Industrie Canada ne garantit toutefois pas que le matériel fonctionnera à la satisfaction de l'utilisateur.

Avant d'installer ce matériel, l'utilisateur doit s'assurer qu'il est permis de le raccorder aux installations de l'entreprise locale de télécommunications. Le matériel doit également être installé en suivant une méthode de raccordement autorisée. L'abonné ne doit pas oublier qu'il est possible que la conformité aux conditions énoncées ci-dessus n'empêche pas la dégradation du service dans certaines situations. Les réparations du matériel homologué doivent être coordonnées par un représentant désigné par le fournisseur. L'entreprise de télécommunications peut demander de débrancher un appareil parce qu'il a été réparé ou modifié par l'utilisateur ou à cause d'un mauvais fonctionnement.

Pour sa propre protection, l'utilisateur doit s'assurer que toutes les mises à la terre de l'installation électrique, des lignes téléphoniques et des canalisations d'eau à tuyaux métalliques, s'il y en a, sont raccordés ensemble. Cette précaution est particulièrement importante dans les régions rurales.

Avertissement : L'utilisateur ne doit pas tenter de faire ces raccordements lui-même ; il doit avoir recours à un service d'inspection des installations électriques ou à un électricien, selon le cas.

AVIS : L'équivalent sonnerie (REN) assigné à chaque dispositif terminal indique le nombre maximal de terminaux qui peuvent être raccordés à une interface. La terminaison d'une interface téléphonique peut consister en une combinaison de dispositifs, à la seule condition que la somme d'équivalents sonnerie de tous les dispositifs n'excède pas 5.

Cordons d'alimentation

Pour votre sécurité Lenovo fournit un cordon d'alimentation avec une prise de terre à utiliser avec le présent produit. Pour éviter les chocs électriques, utilisez toujours le cordon d'alimentation et la fiche avec une prise correctement mise à terre.

Les cordons d'alimentation fournis par Lenovo avec les appareils distribués aux Etats-Unis et au Canada sont répertoriés par l'Underwriter's Laboratories (UL) et certifiés par l'Association canadienne de normalisation (CSA).

Pour une tension de 115 volts, utilisez un ensemble répertorié par l'UL, composé d'un cordon à trois conducteurs de type SVT ou SJT, de diamètre au moins égal au numéro 18 AWG et de longueur n'excédant pas 4,6 mètres, et d'une fiche de prise de courant (15 A - 125 V) à lames en parallèle, avec mise à terre.

Pour une tension de 230 volts (Etats-Unis), utilisez un ensemble répertorié par l'UL, composé d'un cordon à trois conducteurs de type SVT ou SJT, de diamètre au moins égale au numéro 18 AWG et de longueur n'excédant pas 4,6 mètres, et d'une fiche de prise de courant (15 A - 250 V) à lames en tandem, avec mise à terre.

Pour une tension de 230 volts (hors des Etats-Unis), utilisez un cordon muni d'une prise de terre. Assurez-vous que le cordon d'alimentation est conforme aux normes de sécurité en vigueur dans le pays où l'unité sera installée.

Les cordons d'alimentation fournis par Lenovo et destinés à une région ou un pays particulier ne sont généralement disponibles que dans cette région ou dans ce pays.

Pour les unités devant être utilisées en Allemagne : la sécurité des cordons d'alimentation doit être approuvée. En Allemagne, ils doivent être de type H05VV-F, 3G, 0,75 mm² ou de section supérieure. Dans les autres pays, utilisez les types de cordon appropriés.

Réf. du cordon d'alimentation	Pays
24R2633	Japon
39M5067	Argentine, Paraguay, Uruguay
39M5080	Antigua et Barbuda, Aruba, Bahamas, Barbade, Belize, Bermudes, Bolivie, Ile Turks, Canada, Iles Caïmans, Costa Rica, Colombie, Cuba, République Dominicaine, Equateur, Salvador, Guam, Guatemala, Haïti, Honduras, Jamaïque, Mexique, Micronésie, Antilles néerlandaises, Nicaragua, Panama, Pérou, Philippines, Arabie Saoudite, Thaïlande, Taïwan, Etats-Unis, Venezuela
39M5102	Australie, Nouvelle-Zélande
39M5122	Afghanistan, Albanie Algérie, Andorre, Angola, Arménie, Autriche, Azerbaïdjan, Bélarus, Belgique, Bénin, Bosnie-Herzégovine, Bulgarie, Burkina Faso, Burundi, Cambodge, Cameroun, Cap Vert, République centrafricaine, Tchad, Comores, Congo (République démocratique de), Congo (République de), Cote D'Ivoire, Croatie (République de), République tchèque, Dahomey, Djibouti, Egypte, Guinée équatoriale, Erythrée, Estonie, Ethiopie, Finlande, France, Guyane française, Polynésie française, Gabon, Géorgie, Allemagne, Grèce, Guadeloupe, Guinée, Guinée Bissau, Hongrie, Islande, Indonésie, Iran, Kazakhstan, Kirghizistan, Laos (République populaire démocratique de), Lettonie, Liban, Lituanie, Luxembourg, Macédoine (anciennement République yougoslave de), Madagascar, Mali, Martinique, Mauritanie, Maurice, Mayotte, Moldavie (République de), Monaco, Mongolie, Maroc, Mozambique, Pays-Bas, Nouvelle-Calédonie, Niger, Norvège, Pologne, Portugal, Réunion, Roumanie, Fédération de Russie, Rwanda, Sao Tomé et Principe, Arabie Saoudite, Sénégal, Serbie, Slovaquie, Slovénie (République de), Somalie, Espagne, Surinam, Suède, Syrie, Tadjikistan, Tahiti, Togo, Tunisie, Turquie, Turkménistan, Ukraine, Haute Volta, Ouzbékistan, Vanuatu, Viet-Nam, Wallis et Futuna, Yougoslavie (République fédérale de), Zaïre
39M5129	Danemark
39M5143	Bangladesh, Lesotho, Macao, Maldives, Namibie, Népal, Pakistan, Samoa, Afrique du Sud, Sri Lanka, Swaziland, Ouganda
39M5150	Abu Dhabi, Australie, Bahreïn, Botswana, Brunei Darussalam, Iles Anglo-Normandes, Chypre, Dominique, Fidji, Gambie, Ghana, Grenade, Guyana, Région administrative spéciale de Hong Kong, Irak, Irlande, Jordanie, Kenya, Kiribati, Koweït, Libéria, Malawi, Malaisie, Malte, Birmanie, République de Nauru, Nouvelle-Zélande, Nigéria, Oman, Papouasie-Nouvelle-Guinée, Qatar, Saint Kitts et Nevis, Sainte-Lucie, Saint-Vincent-et-les Grenadines, Seychelles, Sierra Leone, Singapour, Soudan, Tanzanie (République unie de), Trinidad et Tobago, Emirats arabes unis (Dubai), Royaume-Uni, Yémen, Zambie, Zimbabwe
39M5151	Hong Kong (Région administrative spéciale), Corée
39M5157	Liechtenstein, Suisse

Réf. du cordon d'alimentation	Pays
39M5164	Chili, Italie, Libye
39M5171	Israël
39M5205	Chine
39M5212	Corée
39M5232	Brésil
39M5246	Taiwan
41R3175	Inde

Cordons d'alimentation et câbles sous enveloppe de PVC (chlorure de polyvinyle)

AVERTISSEMENT : Tout contact avec le câble de ce produit ou avec les câbles des accessoires vendus avec ce produit peuvent vous exposer au plomb, produit chimique reconnu par l'état de Californie comme pouvant entraîner des cancers et des anomalies congénitales ou d'autres dommages liés à la reproduction. *Prenez soin de vous laver les mains après toute manipulation.*

Restriction des substances dangereuses en Chine

产品中有毒有害物质或元素的名称及含量

部件名称	有毒有害物质或元素					
	铅(Pb)	汞(Hg)	镉(Cd)	六价铬 (Cr(VI))	多溴连苯 (PBB)	多溴二苯醚 (PBDE)
印刷电路板组件*	X	O	O	O	O	O
硬盘	X	O	O	O	O	O
光驱	X	O	O	O	O	O
内存	X	O	O	O	O	O
电脑I/O 附件	X	O	O	O	O	O
电源	X	O	O	O	O	O
键盘	X	O	O	O	O	O
鼠标	X	O	O	O	O	O
机箱/附件	X	O	O	O	O	O

○:表示该有毒有害物质在该部件所有均质材料中的含量均在SJ/T11363-2006标准规定的限量要求以下
 ×:表示该有毒有害物质至少在该部件的某一均质材料中的含量超出SJ/T11363-2006标准规定的限量要求
 表中标有“×”的所有部件都符合欧盟RoHS 法规.

印刷电路板组件*: 包括印刷电路板及其零部件、电容和连接器
 根据型号的不同,可能不会含有以上的所有部件,请以实际购买机型为准



在中华人民共和国境内销售的电子信息产品必须标识此标志,标志内的数字代表在正常使用状态下的产品的环保使用期限

Déchets d'Équipements Électriques et Électroniques (DEEE)

Lenovo encourage les propriétaires de matériel informatique (IT) à recycler leur matériel dès lors que celui-ci n'est plus utilisé. Lenovo propose une gamme de programmes et services concernant le recyclage du matériel informatique. Des informations relatives à ces offres de recyclage sont disponibles sur le site Internet de Lenovo à l'adresse :
<http://www.pc.ibm.com/ww/lenovo/about/environment/>.

Avis de conformité à la directive DEEE de l'Union Européenne

Ce marquage (DEEE) s'applique uniquement aux pays de l'Union Européenne (EU) et à la Norvège. Les appareils sont marqués conformément à la Directive européenne 2002/96/CE en matière des Déchets d'Équipements Électriques et Électroniques (DEEE). Cette directive, applicable à l'ensemble de l'Union

Européenne, concerne la collecte et le recyclage des appareils usagés. Cette marque est apposée sur différents produits pour indiquer que ces derniers ne doivent pas être jetés, mais récupérés en fin de vie, conformément à cette directive.

Les utilisateurs d'équipements électriques et électroniques portant la marque DEEE, conformément à l'Annexe IV de la Directive DEEE, ne doivent pas mettre au rebut ces équipements comme des déchets municipaux non triés, mais ils doivent utiliser la structure de collecte mise à leur disposition pour le retour, le recyclage et la récupération des déchets d'équipements électriques et électroniques et pour réduire tout effet potentiel des équipements électriques et électroniques sur l'environnement et la santé en raison de la présence possible de substances dangereuses. Pour plus d'informations sur les équipements portant la marque DEEE, consultez le site :
<http://www.lenovo.com/lenovo/environment>.

Japon - Déclaration relative au recyclage

Collecte et recyclage d'un ordinateur ou d'un écran Lenovo usagé

Si vous devez mettre au rebut un ordinateur ou un écran Lenovo appartenant à la société qui vous emploie, vous devez vous conformer à la Loi pour la promotion de l'utilisation efficace des ressources. Les ordinateurs et les écrans sont catégorisés comme des déchets industriels et doivent être mis au rebut par une société d'élimination des déchets industriels certifiée par un organisme public local. Conformément à la Loi pour la promotion de l'utilisation efficace des ressources, Lenovo Japan assure, par le biais de ses services de collecte et de recyclage des PC, la collecte, la réutilisation et le recyclage des ordinateurs et écrans usagés. Pour plus de détails, visitez le site Web de Lenovo à l'adresse suivante :
www.ibm.com/jp/pc/service/recycle/pcrecycle/

Conformément à la Loi pour la promotion de l'utilisation efficace des ressources, la collecte et le recyclage par le fabricant des ordinateurs et écrans familiaux a commencé le 1er octobre 2003. Ce service est assuré gratuitement pour les ordinateurs familiaux vendus après le 1er octobre 2003. Pour plus de détails, visitez le site Web de Lenovo à l'adresse suivante :
www.ibm.com/jp/pc/service/recycle/personal/.

Mise au rebut de composants d'ordinateur Lenovo

Certains produits informatiques Lenovo vendus au Japon peuvent intégrer des composants contenant des métaux lourds ou d'autres substances dangereuses pour l'environnement. Pour mettre au rebut des composants usagés de manière adéquate, tels qu'une carte de circuit imprimé ou une unité, suivez les méthodes de collecte et de recyclage d'un ordinateur ou d'un écran usagé décrites ci-dessus.

Mise au rebut des piles au lithium usagées des ordinateurs Lenovo

Une pile au lithium en forme de bouton est installée sur la carte mère de votre ordinateur Lenovo afin d'alimenter l'horloge système lorsque l'ordinateur est hors tension ou déconnecté de la source d'alimentation principale. Si vous voulez la remplacer par une nouvelle pile, prenez contact avec votre revendeur ou adressez une demande de réparation à Lenovo. Si vous l'avez remplacée vous-même et que vous souhaitez mettre au rebut la pile au lithium usagée, isolez-la avec une bande adhésive en vinyle, prenez contact avec votre revendeur et suivez ses instructions. Si vous utilisez un ordinateur Lenovo chez vous et que vous devez mettre au rebut une pile au lithium, vous devez vous conformer à la réglementation locale en vigueur.

Informations relatives à ENERGY STAR



ENERGY STAR est un programme de liaison de l'agence américaine de protection de l'environnement (U.S. Environmental Protection Agency) et du département américain à l'énergie (U.S. Department of Energy) qui a pour but d'économiser de l'argent et de protéger l'environnement par le biais de produits et de pratiques efficaces.

Lenovo est fier d'offrir à ses clients des produits répondant aux normes fixées par le programme ENERGY STAR. Les types de machines suivants ont été conçus et testés pour répondre aux normes du programme ENERGY STAR 4.0 concernant les ordinateurs :

- 9172
- 9174
- 9181

- 9182
- 9193
- 9194
- 9196
- 9303

En utilisant des produits conformes au programme ENERGY STAR et en tirant avantage des fonctions de gestion de la consommation de votre ordinateur, vous participez à la réduction de la consommation en électricité. Une consommation électrique réduite contribue à des économies financières, à un meilleur environnement et à une réduction des gaz à effet de serre.

Pour plus d'informations concernant le programme ENERGY STAR, consultez le site <http://www.energystar.gov>.

Lenovo vous encourage à utiliser l'énergie de façon efficace au quotidien. Pour vous y aider, Lenovo a prédéfini les fonctions de gestion de la consommation pour prendre effet dès que votre ordinateur est inactif pendant un certain temps :

Tableau 2. Fonctions de gestion de la consommation ENERGY STAR pour les systèmes d'exploitation

Windows XP	Windows Vista
<ul style="list-style-type: none"> • Mise hors tension du moniteur : après 15 minutes • Mise hors tension des disques durs : jamais • Mise en veille du système : après 20 minutes • Mise en hibernation du système : jamais 	Plan d'alimentation : équilibré <ul style="list-style-type: none"> • Mise hors tension de l'affichage : après 10 minutes • Mise en veille de l'ordinateur : après 25 minutes • Paramètres d'alimentation avancés : <ul style="list-style-type: none"> – Mise hors tension des disques durs : après 20 minutes – Hibernation : jamais

Pour réveiller votre ordinateur, appuyez sur n'importe quelle touche du clavier. Pour plus d'informations concernant ces paramètres, reportez-vous aux informations d'aide et de support de Windows.

Hoofdstuk 1. Belangrijke veiligheidsvoorschriften

Opmerking

Het is van belang dat u eerst de veiligheidsvoorschriften leest.

Deze informatie helpt u uw desktop of notebook veilig te gebruiken. Gebruik en bewaar alle informatie die bij uw computer is geleverd. De informatie in dit document vormt op geen enkele manier een wijziging van de voorwaarden in de koopovereenkomst of de Beperkte Garantie van Lenovo. Lees voor meer informatie Hoofdstuk 3, "Lenovo Beperkte Garantie", op pagina 147.

De veiligheid van de klant is belangrijk. Onze producten worden ontworpen met het oog op veiligheid en effectiviteit. Personal computers zijn echter elektronische apparaten. Netsnoeren, voedingsadapters en andere onderdelen kunnen een veiligheidsrisico opleveren dat, met name bij onjuist gebruik en misbruik, kan leiden tot schade en lichamelijk letsel. Om deze risico's te verkleinen, dient u de bij het product geleverde instructies te volgen, u te houden aan alle waarschuwingen op het product zelf en in de bedieningsinstructies, en de informatie in dit document zorgvuldig te lezen. Door de instructies in dit document en bij het product zorgvuldig op te volgen, kunt u zichzelf beschermen tegen gevaar en zorgen voor een veilige werkomgeving.

Opmerking: Deze informatie bevat verwijzingen naar voedingsadapters en batterijen. Naast notebookcomputers worden ook andere producten (zoals luidsprekers en beeldschermen) geleverd met een externe voedingsadapter. Als u een dergelijk product in bezit hebt, is deze informatie ook daarop van toepassing. Bovendien kunnen er in computerproducten interne batterijen ter grootte van een munt ("knoopcellen") zijn verwerkt, waarmee de systeemklok in stand wordt gehouden wanneer de stekker niet in het stopcontact zit. De veiligheidsvoorschriften voor batterijen gelden dus voor alle computerproducten.

Situaties waarin onmiddellijk handelen vereist is

Door misbruik of achteloosheid kunnen producten beschadigd raken. Bepaalde schade aan producten is zo ernstig dat het product niet meer mag worden gebruikt voordat het is geïnspecteerd en, indien nodig, gerepareerd door een geautoriseerde onderhoudstechnicus.

Net als bij andere elektronische producten dient u goed op het product te letten wanneer u het aanzet. In zeer uitzonderlijke gevallen kan het zijn dat u een geur waarneemt of rook dan wel vonkjes uit het product ziet komen. Het kan ook zijn dat u een ploppend, krakend of sissend geluid hoort. Dit kan erop wijzen dat een van de interne elektronische componenten op een gecontroleerde manier defect is geraakt. Het kan echter ook een indicatie

zijn van een mogelijk gevaarlijke situatie. Neem in dergelijke gevallen nooit risico's en probeer niet zelf een diagnose te stellen. Neem voor hulp contact op met het Customer Support Center. Zie Hoofdstuk 4, "Internationale lijst van telefoonnummers", op pagina 165 voor een lijst van telefoonnummers voor service en ondersteuning.

Controleer de computer en de onderdelen regelmatig op beschadigingen, sporen van slijtage en mogelijk gevaar. Mocht u twijfels hebben over de conditie van een bepaalde component, gebruik het product dan niet. Neem contact op met het Customer Support Center of met de fabrikant van het product. U krijgt dan te horen hoe u het product kunt inspecteren en, indien nodig, kunt laten repareren.

In het onwaarschijnlijke geval dat een van de onderstaande omstandigheden zich voordoet of als u twijfelt aan de veiligheid van het product, stopt u het gebruik van het product, haalt u de stekker uit het stopcontact en ontkoppelt u de telefoonkabels. Neem voor verdere instructies contact op met het Customer Support Center.

- Gebroken of beschadigde netsnoeren, stekkers, adapters, verlengsnoeren, piekspanningsbeveiligingen of voedingseenheden.
- Tekenen van oververhitting, rook, vonken of vuur.
- Schade aan een batterij (zoals barsten of deuken), spontane ontlading of lekkage uit de batterij (herkenbaar aan vreemde stoffen).
- Een krakend, sissend of knallend geluid of een sterke geur afkomstig uit het product.
- Aanwijzingen dat er vloeistof is gemorst of dat er iets op de computer, het netsnoer of de voedingsadapter is gevallen.
- De computer, het netsnoer of de adapter zijn nat geworden.
- Het product is gevallen of op welke manier dan ook beschadigd.
- Het product werkt niet normaal als u de bedieningsinstructies volgt.

Opmerking: Als u deze situatie constateert bij een product (bijvoorbeeld een verlengsnoer) dat niet is gefabriceerd door Lenovo, gebruik dit product dan niet meer totdat u advies hebt ingewonnen bij de fabrikant of totdat u een geschikte vervanging hebt gevonden.

Algemene veiligheidsrichtlijnen

Neem altijd de volgende voorzorgsmaatregelen in acht om de kans op letsel of schade te verkleinen:



Service en upgrades

Probeer niet zelf onderhoud aan het product uit te voeren, tenzij u hiertoe instructies hebt gekregen in de documentatie of vanuit het Customer Support Center. Gebruik alleen een serviceverlener die goedkeuring heeft voor het repareren van het desbetreffende product.

Opmerking: Sommige onderdelen van de computer kunnen door de gebruiker worden uitgebreid of vervangen. Upgrades worden meestal "opties" genoemd. Vervangende onderdelen die zijn goedgekeurd om door de klant zelf te worden geïnstalleerd, worden Customer Replaceable Units of CRU's genoemd. CRU's zijn voorzien van documentatie met instructies voor vervanging van deze onderdelen door de klant. Volg bij het installeren of vervangen van dergelijke onderdelen steeds de instructies. Dat het aan/uit-lampje niet brandt, betekent niet noodzakelijkerwijs dat het spanningsniveau binnenin een product nul is. Voordat u de kap opent van een product dat is uitgerust met een netsnoer, dient u altijd te controleren of het apparaat uit staat en of de stekker van het product uit het stopcontact is gehaald. Voor meer informatie over CRU's kunt u het bij dit product geleverde Handboek voor de gebruiker raadplegen. Bij vragen neemt u contact op met het Customer Support Center.

Hoewel er geen bewegende onderdelen in uw computer zitten als het netsnoer uit het stopcontact is gehaald, is het goed om de de volgende waarschuwingen, omwille van uw veiligheid, ter harte te nemen:

Gevaar



Gevaarlijke bewegende onderdelen. Houd uw vingers en andere lichaamsdelen op afstand.

Attentie



Zet de computer uit en laat hem drie tot vijf minuten afkoelen voordat u de kap opent om CRU's te vervangen.

Voorkoming van statische elektriciteit

Statische elektriciteit is ongevaarlijk voor uzelf, maar kan de computeronderdelen en de opties zwaar beschadigen. Onjuist behandeling van onderdelen die gevoelig zijn voor statische elektriciteit, kan leiden tot schade aan die onderdelen. Als u een optie of CRU uitpakt, open de antistatische verpakking dan pas wanneer u instructie krijgt om de desbetreffende optie of CRU te installeren.

Als u werkt met opties of CRU's, of handelingen binnenin de computer uitvoert, neem dan de volgende voorzorgsmaatregelen om schade ten gevolge van statische elektriciteit te voorkomen:

- Beweeg zo min mogelijk. Door wrijving kan er statische elektriciteit ontstaan.
- Ga voorzichtig met de onderdelen om. Pak adapters, geheugenmodules en andere printplaten bij de rand beet. Raak nooit onbeschermd elektronische circuits aan.
- Zorg dat ook anderen de componenten niet aanraken.
- Wanneer u een nieuwe optie installeert die gevoelig is voor statische elektriciteit, houd dan de antistatische verpakking met dat onderdeel minstens 2 seconden tegen een metalen afdekplaatje van een uitbreidingsleuf of een ander ongeverfd metalen oppervlak op de computer. Hiermee vermindert u de statische lading van de verpakking en van uw lichaam.
- Installeer het onderdeel dat gevoelig is voor statische elektriciteit zo mogelijk direct vanuit de antistatische verpakking, zonder het eerst neer te leggen. Als u het onderdeel neer moet leggen nadat u het uit de verpakking hebt gehaald, leg het dan op de antistatische verpakking op een vlakke ondergrond.
- Leg het onderdeel niet op de kap van de computer of op een metalen ondergrond.

Netsnoeren en voedingsadapters

Gebruik uitsluitend netsnoeren en voedingsadapters die door de fabrikant van het product zijn geleverd.

U dient een goedgekeurd netsnoer te gebruiken. In Duitsland dient dit H05VV-F, 3G, 0,75 mm² of beter te zijn. In andere landen moeten dienovereenkomstig geschikte netsnoeren worden gebruikt.

Wind een netsnoer nooit om een voedingsadapter of een ander voorwerp. Hierdoor kan er een mechanische spanning op het snoer komen te staan, waardoor het kan rafelen of scheuren. Dit kan gevaar opleveren.

Plaats netsnoeren altijd zo, dat niemand er op kan gaan staan of over kan vallen en dat er geen voorwerpen op kunnen worden gezet.

V voorkom dat snoeren en voedingsadapters in aanraking komen met vloeistof. Laat een netsnoer of voedingsadapter bijvoorbeeld niet liggen bij een wasbak of toilet, of op een vloer die wordt schoongemaakt met een vloeibaar reinigingsmiddel. Vloeistoffen kunnen kortsluiting veroorzaken, met name als het netsnoer of de voedingsadapter slijtage vertoont ten gevolge van verkeerd gebruik. Bovendien kan vloeistof corrosie van de stekkers en/of aansluitpunten veroorzaken, hetgeen uiteindelijk kan leiden tot oververhitting.

Sluit de netsnoeren en signaalkabels altijd in de juiste volgorde aan en zorg dat de stekkers altijd stevig in het stopcontact zitten.

Gebruik geen voedingsadapter die sporen vertoont van corrosie aan de invoerpennen of sporen van oververhitting (zoals vervormd plastic) bij de aansluiting of op een ander deel van de voedingsadapter.

Maak nooit gebruik van een netsnoer waarvan de contactpunten sporen van roest, corrosie of oververhitting vertonen of waarvan het snoer of de stekker op welke manier dan ook beschadigd is.

Voltageschakelaar

Sommige computers zijn uitgerust met een voltageschakelaar; deze bevindt zich in de buurt van de aansluiting voor het netsnoer. Als uw computer een dergelijke voltageschakelaar heeft, zorg dan dat deze is ingesteld op het voltage dat door het stopcontact wordt geleverd. Een onjuiste instelling van de voltageschakelaar kan leiden tot onherstelbare schade aan de computer.

Als uw computer niet is uitgerust met een voltageschakelaar, is uw computer ontworpen om alleen te worden gebruikt met het voltage dat in het oorspronkelijke land van aanschaf van de computer op het lichtnet staat.

Als u de computer in een ander land gebruikt, let dan op het volgende:

- Als uw computer niet is uitgerust met een voltageschakelaar, sluit de computer dan pas aan op het lichtnet nadat u hebt gecontroleerd of het voltage

dat op het stopcontact staat, gelijk is aan het voltage dat in het oorspronkelijke land van aanschaf van de computer op het lichtnet staat.

- Als uw computer wél is uitgerust met een voltageschakelaar, sluit de computer dan pas aan op het lichtnet nadat u hebt gecontroleerd of voltageschakelaar in de juiste stand staat voor het voltage dat ter plaatse op het lichtnet staat.

Als u niet weet welk voltage er op het lichtnet staat, neemt u contact op met het elektriciteitsbedrijf of raadpleegt u de officiële website of andere literatuur voor reizigers naar het land of de regio waar u zich bevindt.

Verlengsnoeren en aanverwante apparaten

Controleer of elk verlengsnoer, elke piekspanningsbeveiliging, elke noodvoeding en elke verdeelstekker die u gebruikt, bestand is tegen de elektrische eisen van het product. Overbelast deze apparaten nooit. Als u een verdeelstekker gebruikt, mag de belasting niet hoger zijn dan de invoerspecificatie van die stekker. Raadpleeg een elektricien als u vragen hebt over de capaciteit, vereisten en invoerspanning van apparatuur.

Stekkers en stopcontacten

Als het stopcontact waarop u de computerapparatuur wilt aansluiten beschadigd of verroest blijkt te zijn, gebruik het dan niet tot een gekwalificeerde elektricien het heeft vervangen.

Verbuig of verander de stekker niet. Als de stekker beschadigd is, bestel dan een vervangend exemplaar bij de fabrikant.

Gebruik voor de computer niet hetzelfde stopcontact als voor andere elektrische apparaten die veel stroom gebruiken. Het voltage kan dan instabiel worden, en dit kan leiden tot schade aan de computer, de gegevens en/of de aangesloten apparatuur.

Bepaalde producten worden geleverd met een stekker met randaarde. Deze stekker past alleen in een stopcontact met randaarde. Dit is een veiligheidsvoorziening. Steek een dergelijke stekker alleen in een geaard stopcontact. Voorkom overbelasting van het stopcontact. De totale systeembelasting mag niet hoger zijn dan 80 procent van de specificatie van de groep. Raadpleeg een elektricien als u vragen hebt over belasting en de capaciteit van de verdeelkast.

Zorg dat het netsnoer dat u gebruikt, correct bedraad is, goed bereikbaar is en zich in de buurt van de apparatuur bevindt. Zorg dat het snoer niet helemaal strak staat; hierdoor kan het slijten.

Controleer of het stopcontact dat u gebruikt, de juiste spanning en stroomsterkte levert voor het apparaat dat u installeert.

Wees altijd zorgvuldig als u de stekker in het stopcontact steekt of eruit haalt.

Externe apparatuur

Sluit, als de computer aan staat, geen andere externe kabels of snoeren aan dan USB- en 1394-kabels, anders kan de computer beschadigd raken. Om schade aan de aangesloten apparaten te voorkomen, dient u na het uitschakelen van de computer minimaal vijf seconden te wachten voordat u de externe apparaten ontkoppelt.

Batterijen

Alle PC's die door Lenovo worden gefabriceerd, bevatten een niet-oplaadbare knoopcelbatterij die de systeemklok van stroom voorziet. Bovendien zijn veel mobiele producten, zoals notebookcomputers, uitgerust met een oplaadbare batterij die het systeem stroom levert als het niet is aangesloten op het lichtnet. De batterijen die door Lenovo voor uw product worden geleverd, zijn getest op compatibiliteit en mogen alleen worden vervangen door goedgekeurde onderdelen.

Probeer een batterij nooit open te maken of te repareren. Zorg dat de batterij niet gedeukt of doorboord wordt en niet in contact komt met open vuur. Voorkom kortsluiting van de metalen contactpunten. Stel de batterij niet bloot aan water of andere vloeistoffen. Laad de batterij uitsluitend op volgens de instructies in de productdocumentatie.

Door misbruik of onoordeelkundig gebruik kan de batterij oververhit raken, waardoor er gassen of vonken uit de batterij of knoopcel kunnen komen. Als uw batterij beschadigd is of lekt, of zich op de polen materiaal heeft afgezet, moet u de batterij niet meer gebruiken en een nieuwe aanschaffen.

Als batterijen lange tijd ongebruikt worden gelaten, kan de kwaliteit ervan teruglopen. Bij bepaalde oplaadbare batterijen (met name lithium-ionenbatterijen) kan het ongebruikt laten van de batterij in ontladen toestand leiden tot een verhoogde kans op kortsluiting, waardoor de levensduur van de batterij wordt verkort en er tevens een veiligheidsrisico ontstaat. Zorg dat oplaadbare lithium-ionenbatterijen niet helemaal ontladen raken en bewaar deze batterijen niet in ontladen toestand.

Warmteproductie en ventilatie

Computers, AC-adapters en veel accessoires genereren warmte als ze aan staan en als er een batterij wordt opgeladen. Neem daarom altijd de volgende elementaire voorzorgsmaatregelen:

- Laat de computer, de AC-adapter of de accessoires niet te lang op uw schoot staan als ze aan staan of als de batterij wordt opgeladen. Tijdens de normale

werking produceren de computer, de AC-adapters en accessoires enige warmte. Langdurig contact met uw lichaam of kleding kan ongemak en zelfs brandwonden veroorzaken.

- Laad de batterij niet op en gebruik de computer, de AC-adapter of de accessoires niet in de buurt van licht ontvlambare materialen of in een omgeving met explosiegevaar.
- Ventilatieopeningen, ventilatoren en koelribben maken deel uit van het product omwille van de veiligheid, het comfort en een betrouwbare werking. Deze voorzieningen kunnen per ongeluk geblokkeerd raken als u het product op een bed, zitbank, vloerkleed of andere zachte ondergrond plaatst. Zorg ervoor dat deze voorzieningen nooit geblokkeerd, bedekt of uitgeschakeld raken.

Controleer uw uw desktopcomputer eens per drie maanden op ophopingen van stof. Schakel de stroom uit en haal de stekker uit het stopcontact voordat u de controle start; verwijder alle stof dat zich in openingen in de frontplaat bevindt. Als u van buitenaf ziet dat er zich ergens binnenin de computer stof heeft verzameld, verwijder ook dat dan en vergeet niet om de inlaat van het koelement, de sleuven in de voedingseenheid en de ventilatoren schoon te maken. Zet de computer altijd uit en haal de stekker uit het stopcontact voordat u de kap opent. Probeer te voorkomen dat uw computer wordt gebruikt in de buurt van plaatsen waar veel wordt gelopen. Mocht een dergelijke opstelling onvermijdelijk zijn, controleer dan vaker of de computer niet vuil is en maak de computer indien nodig vaker schoon.

Neem voor uw eigen veiligheid en voor het in stand houden van optimale computerprestaties altijd de volgende elementaire voorzorgsmaatregelen voor uw desktopcomputer:

- Houd de kap gesloten zolang de stekker in het stopcontact zit.
- Controleer regelmatig of de buitenkant van de computer niet bestoft is.
- Verwijder al het stof uit de ventilatiesleuven en -openingen in de frontplaat. Als de computer in een stoffige of drukke omgeving staat, kan het nodig zijn de computer vaker schoon te maken.
- Blokkeer de luchttoevoer naar de ventilatieopeningen niet.
- Plaats de computer niet in een kast of ander meubelstuk, want dit vergroot de kans dat de computer oververhit raakt.
- De lucht die in de computer wordt gezogen, mag niet warmer zijn dan 35° C.
- Gebruik geen luchtfilterapparatuur die niet voor desktops is bestemd.

Gebruiksomgeving

De optimale omgeving om uw computer in te gebruiken is een omgeving met een temperatuur van 10 tot 35°C en een relatieve vochtigheid van 35 tot 80%. Als uw computer opgeslagen of vervoerd is bij temperaturen onder de 10°C,

gun de koude computer dan, vóórdát u hem gebruikt, de tijd om langzaam op te warmen tot de optimale gebruikstemperatuur van of 10°C-35°C. Onder extreme omstandigheden kan dit opwarmen wel twee uur duren. Onder bepaalde omstandigheden kan dit wel twee uur duren. Laat u de computer niet goed op temperatuur komen, dan kan dit bij gebruik leiden tot onherstelbare schade.

Plaats de computer indien mogelijk in een goed geventileerde, droge ruimte, uit de zon.

Houd elektrische apparaten zoals ventilatoren, radio's, zware luidsprekers, air conditioners en magnetrons uit de buurt van de computer, want het sterke magnetische veld dat door dergelijke apparaten wordt veroorzaakt, kan schade toebrengen aan het beeldscherm en aan de gegevens op de vaste schijf.

Plaats nooit vloeistoffen op of naast de computer of de aangesloten apparatuur. Als er vloeistof op de computer of een aangesloten apparaat wordt gemorst, kan er kortsluiting ontstaan, met alle desastreuze gevolgen van dien.

Blijf, als u aan het eten of roken bent, uit de buurt van het toetsenbord. Er kan namelijk schade ontstaan door kruimels die op het toetsenbord vallen.

Veiligheidsvoorschriften voor de elektriciteit

Gevaar

Elektrische stroom van lichtnet-, telefoon- en communicatiekabels is gevaarlijk.

Houd u ter voorkoming van een schok aan het volgende:

- Om een elektrische schok te voorkomen, dient u de computer niet te gebruiken tijdens onweer.
- Sluit tijdens onweer geen kabels aan en ontkoppel ze niet; voer ook geen installatie-, onderhouds- of configuratiewerkzaamheden aan dit product uit tijdens onweer.
- Sluit alle netsnoeren aan op correct bedrade, geaarde stopcontacten.
- Sluit ook het netsnoer van alle apparaten die op dit product worden aangesloten aan op een correct geaard stopcontact.
- Gebruik indien mogelijk slechts één hand bij het aansluiten en loskoppelen van signaalkabels.
- Zet een apparaat nooit aan als dit brand-, water- of structuurschade vertoont.

- **Ontkoppel alle netsnoeren, telecommunicatiesystemen, netwerken en modems voordat u de kap van het apparaat opent, tenzij de installatie- of configuratie-instructies expliciet anders voorschrijven.**
- **Als u dit product of een aangesloten apparaat installeert, verplaatst of opent, houd u dan bij het aansluiten en loskoppelen van de kabels aan het volgende:**

Aansluiten: <ol style="list-style-type: none"> 1. Zet alles UIT. 2. Sluit eerst alle kabels aan op de apparaten. 3. Sluit de signaalkabels aan. 4. Steek de stekker in het stopcontact. 5. Zet het apparaat AAN. 	Bij het ontkoppelen: <ol style="list-style-type: none"> 1. Zet alles UIT. 2. Haal eerst de stekker uit het stopcontact. 3. Ontkoppel de signaalkabels. 4. Ontkoppel alle kabels en snoeren van de apparaten.
--	---

Kennisgeving lithiumbatterij

Waarschuwing

Als de batterij op onjuiste wijze wordt vervangen, bestaat er explosiegevaar.

Vervang de lithium knoopbatterij alleen door hetzelfde type of door een gelijkwaardig type dat wordt aanbevolen door de fabrikant. De batterij bevat lithium en kan bij verkeerd gebruik exploderen.

Houd u aan het volgende:

- Gooi de batterij niet in water
- Verwarm de batterij niet boven 100°C
- Haal de batterij niet uit elkaar

Gooi de batterij niet bij het huisvuil weg, maar behandel deze als klein chemisch afval.

De volgende verklaring geldt voor gebruikers in de staat Californië, V.S.:

Materiaal met perchlooraat: Wees voorzichtig. Zie www.dtsc.ca.gov/hazardouswaste/perchlorate.

Veiligheidsvoorschriften voor de modem

Waarschuwing

Gebruik alleen telefoonkabels van minimaal 0,13 mm (26 AWG) of dikker om het risico op brand zo klein mogelijk te houden.

Neem ter voorkoming van brand, elektrische schokken of verwondingen bij het gebruik van telefonische apparatuur altijd de volgende voorzorgsmaatregelen in acht:

- Installeer geen telefoonbedrading tijdens onweer.
- Installeer geen telefoonaansluitingen in natte ruimtes tenzij de aansluiting speciaal ontworpen is voor gebruik in natte ruimtes.
- Raak geen telefoonkabels of -stekkers aan die niet geïsoleerd zijn.
- Wees voorzichtig bij het installeren of doortrekken van telefoonlijnen.
- Gebruik de telefoon niet tijdens onweer, tenzij u een draadloos model hebt. Er bestaat een kleine kans op een elektrische schok als gevolg van blikseminslag.
- Geef gaslekken in de buurt van de telefoon niet telefonisch door.

Verklaring van conformiteit met laserrichtlijnen

Sommige personal computermodellen worden standaard geleverd met een CD- of DVD-station. CD- en DVD-stations zijn ook los als optie te verkrijgen. CD- en DVD-stations zijn laserproducten. Deze stations voldoen in de Verenigde Staten aan de eisen gesteld in de Department of Health and Human Services 21 Code of Federal Regulations (DHHS 21 CFR) Subchapter J voor laserproducten van Klasse 1. De stations voldoen aan de eisen gesteld in de International Electrotechnical Commission (IEC) 60825-1 en CENELEC EN 60825-1 bedoeld voor laserproducten van klasse 1.

Let bij het installeren van een CD- of DVD-station op het volgende.

Waarschuwing

Het wijzigen van instellingen of het uitvoeren van procedures anders dan hier is beschreven, kan leiden tot blootstelling aan gevaarlijke straling.

Open de behuizing van het CD-station of DVD-station niet. Als u de behuizing van het CD- of DVD-station opent, kunt u worden blootgesteld aan gevaarlijke laserstraling. Het CD- of DVD-station bevat geen onderdelen die kunnen worden vervangen of onderhouden.

Sommige CD- of DVD-stations bevatten een ingebouwde laserdiode van klasse 3A of 3B. Let op het volgende.

Gevaar

Laserstraling indien geopend. Kijk niet in de laserstraal en vermijd direct contact met de laserstraal.

Kennisgeving voedingseenheid

Verwijder nooit de kap van de voedingseenheid of van enige component waarop het volgende label is bevestigd.



Gevaarlijke spannings-, stroom- en voltageniveaus binnen componenten waarop dit label is bevestigd. Deze componenten bevatten geen onderdelen die kunnen worden vervangen of onderhouden. Als u vermoedt dat er met een van deze onderdelen een probleem is, neem dan contact op met een onderhoudstechnicus.

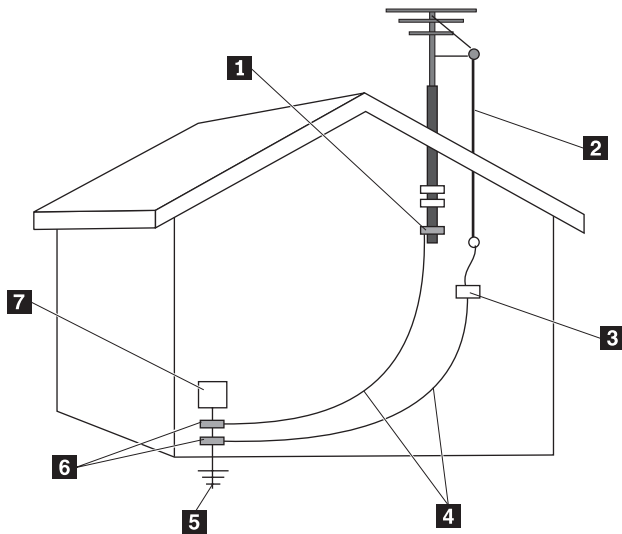
Producten waarin een optionele TV-tuner geïnstalleerd is

De volgende kennisgeving geldt voor producten met een ingebouwde TV-tuner die wordt aangesloten op een externe antenne en/of kabel-TV-aansluiting en die bedoeld zijn om in Noord-Amerika te worden geïnstalleerd. Gebruikers en installateurs in andere landen dienen bij het installeren van apparaten die worden aangesloten op een externe antenne en/of kabel-TV-aansluiting de ter plaatse geldende voorschriften te volgen. Als er ter plaatse geen voorschriften gelden, wordt de gebruiker/installateur aangeraden richtlijnen te volgen zoals de onderstaande.

Opmerking voor de installateur van het kabel-TV-systeem

Hierbij wordt de aandacht van de installateur van het kabel-TV-systeem gevestigd op Artikel 820-40 van de National Electrical Code (NEC) dat richtlijnen verschaft voor een juiste aarding en, in het bijzonder, aangeeft dat de aarding van de kabel dient te worden aangesloten op het aardingsstelsel van het gebouw, en wel zo dicht mogelijk bij het punt waar de kabel het gebouw binnenkomt.

Voorbeeld van de aarding van een antenne



- | | | | |
|----------|---|----------|--|
| 1 | Aardingsklem | 5 | Aardingselektrodesysteem (NEC-artikel 250, Deel H) |
| 2 | Buiten kabel antenne | 6 | Aardingsklemmen |
| 3 | Antenne-ontladingseenheid (NEC Sectie 810-20) | 7 | Elektronische serviceapparatuur |
| 4 | Aardingskabels (NEC Sectie 810-21) | | |

Figuur 1. Juiste aarding van de kabel

De volgende kennisgeving geldt voor alle landen en regio's:

Gevaar



Aarding van antennes buitenshuis

Als op de apparatuur een antenne of kabelsysteem wordt aangesloten dat zich buitenshuis bevindt, zorg dan dat die antenne of dat kabelsysteem geaard is, dit om enige bescherming te bieden tegen spanningspieken en opgebouwde statische elektriciteit.

Onweer

Tijdens onweer of wanneer de apparatuur langere tijd niet wordt gebruikt, dient u de stekker van deze apparatuur uit het stopcontact te halen en de kabel van de antenne of van het kabelsysteem los te koppelen. Hiermee voorkomt u schade aan het videoproduct als gevolg van blikseminslag of spanningspieken.

Stroomkabels

Op plaatsen waar de stroomvoorziening wordt verzorgd door kabels aan palen, dient een antennesysteem buitenshuis zich niet in de buurt van dergelijke kabels te bevinden, noch op een plaats waar het op dergelijke kabels kan vallen. Bij het installeren van een antennesysteem buitenshuis dient u bijzonder goed op te letten dat u dergelijke kabels niet aanraakt, want elke aanraking kan fataal zijn.

Veilig omgaan met gegevens

Verwijder onbekende bestanden niet en wijzig niet de naam van bestanden of directory's die niet door u zijn gemaakt. Doet u dat wel, dan werkt uw computer daarna wellicht niet meer goed.

Houd er rekening mee dat het gebruik van netwerkresources uw computer kwetsbaar kan maken voor computervirussen, hackers, spyware en andere kwaadwillige activiteiten die schade kunnen toebrengen aan uw computer, uw software en uw gegevens. Het is uw eigen verantwoordelijkheid ervoor te zorgen dat u adequaat bescherming regelt in de vorm van firewalls, antivirussoftware en anti-spywaresoftware, en dat u dergelijke software up-to-date houdt.

Reiniging en onderhoud

Houd uw computer en uw werkplek schoon. Als u de computer wilt schoonmaken, sluit de computer dan eerst af en haal de stekker uit het stopcontact. Spuit reinigingsmiddelen of andere vloeistoffen nooit rechtstreeks op de computer en maak de computer nooit schoon met reinigingsmiddelen die brandbare stoffen bevatten. Doe het reinigingsmiddel op een zachte doek en maak daarmee de buitenkant van de computer schoon.

Hoofdtelefoons of oortelefoons gebruiken

Als uw computer zowel een aansluiting voor een hoofdtelefoon heeft als een audio-aansluiting, gebruik dan altijd de aansluiting voor de hoofdtelefoon voor het aansluiten van een headset, een hoofdtelefoon of oortelefoon.

Een te hard volume op de oor- of hoofdtelefoon kan leiden tot beschadiging van het gehoor. Als u de equalizer maximaal zet, wordt het volume van het geluid daardoor verhoogd.

Langdurig gebruik van hoofd- of oortelefoon bij een hoog volume kan gevaarlijk zijn als de hoofd- of oortelefoon niet voldoet aan de specificaties van EN 50332-2. De uitvoer voor de hoofdtelefoon van uw computer voldoet aan EN 50332-2 Sub clause 5.1. Deze specificatie beperkt de RMS uitvoerspanning van de computer tot 150 mV. Om schade aan het gehoor te voorkomen, dient u te controleren of de hoofd- of oortelefoon die u gebruikt, eveneens voldoet aan EN 50332-2 (lid 6.1) ten aanzien van een spanning van 75 mV. Het gebruik van hoofdtelefoons die niet voldoen aan EN 50332-2 kan gevaarlijk zijn door excessieve geluidsniveaus.

Als uw Lenovo-computer is geleverd met een hoofdtelefoon of oortelefoon, voldoen de computer met hoofdtelefoon of oortelefoon als set aan de specificaties van EN 50332-1. Als u andere hoofd- of oortelefoons gebruikt, zorg er dan voor dat deze voldoen aan EN 50332-2 (lid 6.1) ten aanzien van een spanning van 75 mV. Het gebruik van hoofdtelefoons die niet voldoen aan EN 50332-2 kan gevaarlijk zijn door excessieve geluidsniveaus.

Aanvullende veiligheidsvoorschriften

Plastic zakken kunnen gevaarlijk zijn. Houd plastic zakken uit de buurt van baby's en kinderen om de kans op verstikking te voorkomen.

Hoofdstuk 2. Informatiebronnen

Nadat u uw computer hebt geïnstalleerd aan de hand van de bijgeleverde Setup Poster kunt u via de informatie in dit hoofdstuk andere belangrijke informatiebronnen met betrekking tot uw computer raadplegen.

Map Online Boeken

De map Online Boeken bevat publicaties die u helpen bij de installatie en het gebruik van de computer. Deze map is vooraf op uw computer geïnstalleerd en u hebt geen toegang tot internet nodig om de publicaties te kunnen bekijken. De volgende publicaties staan in de map Online Boeken:

- *Handboek voor de gebruiker*

Deze publicatie bevat informatie over het installeren van de computer, het installeren van opties, het herstellen van beschadigde software, het werken met het programma BIOS Setup Utility, het bijwerken van systeemprogramma's en het oplossen van problemen.

- *Gids voor het installeren en vervangen van hardware*

Deze publicatie bevat stapsgewijze instructies voor het vervangen van de CRU's (Customer Replaceable Units) in de computer. CRU's zijn onderdelen van de computer die door de gebruiker kunnen worden geüpgraded of vervangen.

- *Publicatie over software-aanbod van IBM Lotus*

Deze publicatie bevat licentie- en bestelgegevens voor bepaalde Lotus-producten.

Om deze publicatie te openen, opent u het menu **Start**, selecteert u **Alle programma's** en **Online boeken** en klikt u op **Online boeken**. Dubbelklik op de gewenste publicatie voor uw computer. Deze publicaties zijn ook aanwezig op de Lenovo-website, op <http://www.lenovo.com>.

Opmerkingen:

1. Voor deze publicaties wordt gebruik gemaakt van PDF-indeling (Portable Document Format); om ze te kunnen lezen hebt u het programma Adobe Acrobat Reader nodig. Als Adobe Acrobat Reader nog niet op uw computer is geïnstalleerd en u probeert een PDF-bestand te openen, dan verschijnt er een bericht en wordt u door de installatie van Adobe Acrobat Reader geloodst.
2. De publicaties die vooraf op uw computer zijn geïnstalleerd, zijn op de Lenovo-website (<http://www.lenovo.com/support/>) beschikbaar in andere talen.

- Als u van Adobe Acrobat Reader een versie wilt installeren in een andere taal dan die waarin het programma op uw computer is geïnstalleerd, gaat u naar de website van Adobe (<http://www.adobe.com>) en downloadt u de gewenste versie.

ThinkVantage Productivity Center

Het programma ThinkVantage® Productivity Center wijst u de weg naar een keur aan informatiebronnen en tools, en is niet alleen bedoeld om computergebruik gemakkelijker en veiliger te maken, maar ook om u te helpen de kosten te beperken en de productiviteit te verhogen. Het ThinkVantage Productivity Center helpt u bij het installeren, doorgronden en verbeteren van de computer.

Het ThinkVantage Productivity Center bevat informatie over uw computer en biedt heel gemakkelijk toegang tot diverse technieken, waaronder:

- Het programma Rescue and Recovery
- Productivity Center
- Client Security Solutions
- Herstel van de vooraf geïnstalleerde software
- System Updates
- Service en Ondersteuning

Opmerking: ThinkVantage Technologies zijn slechts op bepaalde Lenovo-computers beschikbaar.

U opent het ThinkVantage Productivity Center het menu **Start** te openen en achtereenvolgens op **Alle programma's**, **ThinkVantage** en **Productivity Center** te klikken.

Access Help

Access Help is een online Help-systeem dat informatie verstrekt over de manier waarop u aan de slag kunt gaan, over het uitvoeren van elementaire handelingen, het aanpassen van instellingen aan uw persoonlijke voorkeuren, het beschermen van gegevens, het uitbreiden en upgraden van de computer, en het oplossen van problemen.

U opent Access Help door het menu **Start** te openen en achtereenvolgens op **Alle programma's**, **ThinkVantage** en **Access Help** te klikken. Nadat u Access Help hebt geopend, kunt u in het linker deelvenster een keuze maken op het tabblad Inhoud of Index, of via het het tabblad Zoeken op zoek gaan naar een bepaald woord.

www.lenovo.com

De Lenovo-website (www.lenovo.com) bevat een enorme hoeveelheid informatie en services ter ondersteuning van het aanschaffen, upgraden en onderhouden van de computer. De meest up-to-date informatie voor uw computer is steeds op de Lenovo-website beschikbaar. Op de website www.lenovo.com kunt u tevens:

- Desktop- en notebookcomputers, beeldschermen, projectoren, upgrades en accessoires voor uw computer aanschaffen, en profiteren van speciale aanbiedingen.
- Extra diensten aanschaffen, zoals ondersteuning voor hardware, besturings-systemen en softwareprogramma's, instellen en configureren van het netwerk, en installatie op maat.
- Upgrades en uitgebreide reparatieservices voor de hardware aanschaffen.
- De meest recente stuurprogramma's en updates van de software voor uw specifieke model computer downloaden.
- De online handleidingen voor uw producten raadplegen.
- De Lenovo Beperkte Garantie lezen.
- Toegang krijgen tot informatie over probleemoplossing en ondersteuning voor uw model computer en andere ondersteunde producten.
- De telefoonnummers van de service- en ondersteuningsdienst voor uw land of regio opzoeken.
- Zoeken naar een serviceverlenen bij u in de buurt.

Computergegevens noteren

Het noteren van bepaalde gegevens van uw computer kan handig zijn als uw computer ooit gerepareerd moet worden. De onderhoudstechnicus zal hoogstwaarschijnlijk naar deze gegevens vragen.

Machinetype, model en serienummer staan op een sticker op uw computer. Leg de informatie vast aan de hand van onderstaande tabel.

Productnaam	_____
Machinetype en model	_____
Serienummer (S/N)	_____
Aankoopdatum	_____

U kunt uw computer registreren via internet op de volgende website:

<http://www.lenovo.com/register>

Als u uw computer registreert, kunt u profiteren van de volgende voordelen:

- U krijgt sneller service als u belt voor hulp
- U wordt op de hoogte gehouden van het uitkomen van gratis software en speciale aanbiedingen

Meer informatie over het registreren van uw computer vindt u in Access Help, het online Help-systeem. Instructies voor het openen van dit online Help-systeem vindt u in "Access Help" op pagina 144.

Hoofdstuk 3. Lenovo Beperkte Garantie

L505-0010-00 09/2006

Deze Lenovo Beperkte Garantie is uitsluitend van toepassing op Lenovo hardwareproducten die u aanschaft voor uw eigen gebruik en niet voor wederverkoop. Deze garantie kan in andere documenten van Lenovo soms "Verklaring van Beperkte Garantie" of "Statement of Limited Warranty" (SOLW) worden genoemd.

Wat door deze Garantie wordt gedekt

Lenovo garandeert dat ieder hardwareproduct bij normaal gebruik tijdens de garantieperiode vrij is van materiaal- en fabricagefouten. De garantieperiode voor het product vangt aan op de oorspronkelijke aankoopdatum zoals aangegeven op uw factuur, tenzij Lenovo u schriftelijk anders te kennen geeft. De garantieperiode en het type service die gelden voor uw product, worden hieronder aangegeven, in de sectie genaamd **Informatie over de garantie**.

DEZE GARANTIE IS DE ENIGE GARANTIE EN TREEDT IN DE PLAATS VAN ALLE OVERIGE GARANTIES EN VOORWAARDEN, UITDRUKKELIJK OF STILZWIJGEND, MET INBEGRIIP VAN, MAAR NIET BEPERKT TOT, DIE VOOR VERHANDELBAARHEID OF GESCHIKTHEID VOOR EEN BEPAALD DOEL. IN SOMMIGE STATEN OF JURISDICTIES IS HET UITSLUITEN VAN UITDRUKKELIJKE OF STILZWIJGENDE GARANTIES NIET TOEGESTAAN, ZODAT DE VOORGAANDE UITSLUITING WELLIJK NIET OP U VAN TOEPASSING IS. IN DAT GEVAL GELDEN DERGELIJKE GARANTIES UITSLUITEND VOOR ZOVER WETTELIJK VEREIST EN ZIJN ZE IN DUUR BEPERKT TOT DE DUUR VAN DE GARANTIEPERIODE. NA DIE PERIODE VERVALT ELK RECHT OP GARANTIE. IN SOMMIGE STATEN OF JURISDICTIES IS HET BEPERKEN VAN DE DUUR VAN STILZWIJGENDE GARANTIES NIET TOEGESTAAN, ZODAT DE VOORGAANDE BEPERKING VAN DE DUUR WELLIJK NIET OP U VAN TOEPASSING IS.

Hoe u garantieservice aanvraagt

Indien het product gedurende de garantieperiode niet functioneert zoals gegarandeerd, kunt u garantieservice aanvragen door contact op te nemen met Lenovo of een geautoriseerde serviceverlener. Elk van deze valt onder de term "Serviceverlener". Een lijst van Serviceverleners en hun telefoonnummers is beschikbaar op www.lenovo.com/support/phone.

Garantieservice is mogelijk niet op alle locaties beschikbaar en kan van locatie tot locatie verschillend zijn. Buiten de normale servicegebieden van een Serviceverlener kunnen er kosten in rekening worden gebracht. Neem contact op met een plaatselijke Serviceverlener voor informatie die specifiek is voor een bepaalde locatie.

Wat uw Serviceverlener doet om de problemen op te lossen

Wanneer u contact opneemt met een Serviceverlener, dient u de opgegeven procedures voor probleembepaling en -oplossing te volgen.

Uw Serviceverlener zal proberen uw probleem op te sporen en op te lossen via telefonische assistentie of via hulp op afstand. Uw Serviceverlener kan u instrueren bepaalde software-updates te downloaden en te installeren.

Sommige problemen kunnen worden opgelost met een vervangend onderdeel dat u zelf installeert (zoals toetsenbord, muis, luidspreker, geheugen, vaste schijf of port replicator), een "Customer Replaceable Unit" of "CRU" genaamd. Indien dat het geval is, verzendt uw Serviceverlener de CRU naar u zodat u die zelf kunt installeren.

Indien uw probleem niet telefonisch of op afstand kan worden opgelost, noch via het aanbrengen van software-updates of met behulp van een CRU, zal uw Serviceverlener zorgen voor de service onder het type garantie dat voor het product is aangegeven in de sectie "**Informatie over de garantie**".

Indien uw Serviceverlener vaststelt dat hij niet in staat is uw product te herstellen, zal uw Serviceverlener het product vervangen door een product dat functioneel ten minste gelijkwaardig is.

Indien uw Serviceverlener vaststelt dat hij niet in staat is uw product te herstellen of te vervangen, is uw enige verhaalmiddel het product terug te brengen naar de plaats van aanschaf of naar Lenovo, waarna de aanschafprijs aan u wordt terugbetaald.

Vervanging van een Product of een onderdeel

Wanneer de garantieservice het vervangen van een product of een onderdeel daarvan met zich meebrengt, wordt het onderdeel dat door uw Serviceverlener is vervangen eigendom van Lenovo en wordt het vervangende onderdeel uw eigendom. Alle verwijderde onderdelen dienen origineel en ongewijzigd te zijn. Het vervangende onderdeel is mogelijk niet nieuw, maar verkeert in goed werkende staat en is functioneel ten minste gelijkwaardig aan het vervangen onderdeel. Wat betreft verdere garantie krijgt het vervangende onderdeel de status van het vervangen onderdeel.

Voordat uw Serviceverlener tot vervanging van een product of een onderdeel daarvan overgaat, dient u:

1. alle voorzieningen, onderdelen, opties, wijzigingen en aansluitingen die niet onder de garantieservice vallen, te verwijderen;
2. ervoor te zorgen dat het product vrij is van verplichtingen of beperkingen die haar vervanging in de weg staan; en
3. wanneer het product niet uw eigendom is, ervoor te zorgen dat de eigenaar u autoriseert om uw Serviceverlener service te laten verlenen aan het product.

Uw aanvullende verantwoordelijkheden

Indien van toepassing, en voordat de service wordt verleend, dient u:

1. de door uw Serviceverlener vastgestelde procedures voor het indienen van een verzoek om serviceverlening te volgen;
2. zorg te dragen voor een backup of veilige opslag van alle programma's en gegevens die zich in het product bevinden;
3. uw Serviceverlener alle systeemsleutels of wachtwoorden te verstrekken en voldoende, vrije en veilige toegang te verlenen om hem in staat te stellen aan de garantiebepalingen te kunnen voldoen; en
4. ervoor te zorgen dat alle informatie over identificeerbare of niet-identificeerbare personen ("Persoonlijke Informatie") van het product zijn gewist of dat u, met betrekking tot Persoonlijke Informatie die u niet hebt gewist, de toepasselijke wet- en regelgeving naleeft.

Gebruik van Persoonlijke Informatie

Indien u ingevolge deze garantie service ontvangt, wordt er door Lenovo informatie opgeslagen, gebruikt en verwerkt met betrekking tot uw garantiekwestie en uw contactgegevens, met inbegrip van naam, telefoonnummers, adres en e-mailadres. Lenovo gebruikt deze informatie voor het verlenen van service ingevolge deze garantie en voor het verbeteren van onze zakelijke relatie met u, zoals het uitvoeren van interne beoordelingen van de efficiëntie van de service die we aan u verlenen. We kunnen contact met u opnemen om te informeren naar uw tevredenheid met betrekking tot onze garantieservice of om u in te lichten omtrent terugroepingen van producten of veiligheidskwesties. Bij het vervullen van deze doelstellingen kunnen we uw informatie verstrekken aan rechtspersonen die namens ons optreden. Bovendien kunnen we uw informatie bekendmaken indien dat van rechtswege van ons wordt verlangd.

Wat door deze Garantie niet wordt gedekt

Het volgende wordt door deze garantie niet gedekt:

- ononderbroken of foutloze werking van een product;
- verlies van, of schade aan uw gegevens;

- softwareprogramma's, of deze nu bij het product zijn geleverd of naderhand zijn geïnstalleerd;
- storingen of schade voortvloeiend uit misbruik, een ongeval, aanpassing, een ongeschikte fysieke omgeving of gebruiksomgeving, natuurrampen, spanningspieken of onjuist onderhoud door u;
- producten van derden, met inbegrip van die producten die Lenovo op uw verzoek verstrekt bij, of inbouwt in, een Lenovo-product; en
- technische of andere ondersteuning, zoals telefonische assistentie bij "hoe doe ik"-vragen en vragen met betrekking tot de instelling en installatie van het product.

Deze garantie vervalt wanneer de identificatielabels van het product of van onderdelen ervan worden verwijderd of gewijzigd.

Beperking van aansprakelijkheid

Lenovo is uitsluitend verantwoordelijk voor verlies of beschadiging van uw product 1) wanneer het in het bezit is van uw Serviceverlener, of 2) tijdens het vervoer ervan in die gevallen waarin de Serviceverlener verantwoordelijk is voor het vervoer.

Noch Lenovo, noch uw Serviceverlener is verantwoordelijk voor uw informatie die zich in een product bevindt, waaronder door eigendomsrechten beschermde of persoonlijke gegevens. U dient al dergelijke gegevens van het product te verwijderen of er een backup van te maken voordat er service aan het product wordt uitgevoerd of voordat u het product retourneert.

Er kunnen zich omstandigheden voordoen waarin u, als gevolg van het doen of nalaten van Lenovo, of op basis van een andere aansprakelijkheid, gerechtigd bent uw schade op Lenovo te verhalen. In een dergelijk geval is Lenovo, ongeacht de grond waarop uw vordering is gebaseerd (met inbegrip van fundamentele contractbreuk, nalatigheid, onjuiste voorstelling van zaken, of enige andere contractuele basis of op basis van onrechtmatige daad), uitsluitend aansprakelijk voor aantoonbare, werkelijke geleden schade, tot een maximum van het bedrag dat u voor het product hebt betaald. Deze beperking geldt niet voor lichamelijk letsel (met inbegrip van overlijden), noch voor schade aan roerende en onroerende zaken waarvoor Lenovo wettelijk aansprakelijk is.

Deze beperking geldt tevens voor de toeleveranciers en wederverkopers van Lenovo en voor uw Serviceverlener. Het is het maximumbedrag waarvoor Lenovo, haar toeleveranciers, wederverkopers en uw Serviceverlener gezamenlijk aansprakelijk zijn.

IN GEEN GEVAL ZIJN LENOVO, HAAR TOELEVERANCIERS, WEDERVERKOPERS OF SERVICEVERLENER AANSPRAKELIJK VOOR HET VOLGENDE, OOK NIET INDIEN ZIJ VAN DE MOGELIJKHEID HIERVAN

OP DE HOOGTE ZIJN GEBRACHT: 1) VORDERINGEN DOOR DERDEN TEGEN U INGESTELD; 2) VERLIES OF BESCHADIGING VAN GEGEVENS; 3) BIJZONDERE, INCIDENTELE OF INDIRECTE SCHADE, OF ENIGE GEVOLGSCHADE, MET INBEGRIJ VAN GEDERFDE WINSTEN, BEDRIJFSINKOMSTEN, GOODWILL OF VERWACHTE BESPARINGEN. IN SOMMIGE STATEN OF JURISDICTIES IS HET UITSLUITEN OF BEPERKEN VAN INCIDENTELE OF GEVOLGSCHADE NIET TOEGESTAAN, ZODAT DEZE UITSLUITING OF BEPERKING MOGELIJK NIET OP U VAN TOEPASSING IS.

Afhandeling van geschillen

Indien u het product hebt verworven in **Cambodja, Indonesië, de Filippijnen, Vietnam of Sri Lanka**, worden alle uit deze garantie voortvloeiende of met deze garantie samenhangende geschillen in laatste instantie afgedaan middels arbitrage die plaatsvindt in Singapore en wordt deze garantie beheerd, geïnterpreteerd en gehandhaafd overeenkomstig het Singaporees recht, ongeacht beginselen van conflicterend recht. Indien u het product hebt verworven in **India**, worden uit deze garantie voortvloeiende of met deze garantie samenhangende geschillen in laatste instantie afgedaan middels arbitrage die plaatsvindt in Bangalore, India. De arbitrage in Singapore vindt plaats op grond van de op dat moment geldende arbitrageregels van het Singapore International Arbitration Center ("SIAC Rules"). De arbitrage in India vindt plaats overeenkomstig het vigerend recht van India. Het arbitrageoordeel is definitief en voor alle partijen bindend zonder mogelijkheid van hoger beroep, is schriftelijk en vermeldt de vastgestelde feiten en de juridische conclusies. De volledige behandeling van de arbitrage, met inbegrip van alle documenten die daarin worden overlegd, vindt plaats in de Engelse taal, en de Engelstalige versie van deze garantie prevaleert in een dergelijke behandeling boven enige versie in een andere taal.

Overige rechten

DEZE GARANTIE GEEFT U SPECIFIEKE WETTELIJKE RECHTEN. HIERNAAST KUNT U NOG ANDERE RECHTEN HEBBEN DIE PER LAND OF PER JURISDICTIE KUNNEN VERSCHILLEN. DAARNAAST KUNT U NOG ANDERE RECHTEN HEBBEN INGEVOLGE DE TOEPASSELIJKE WETGEVING OF EEN SCHRIFTELIJKE OVEREENKOMST MET LENOVO. NIETS IN DEZE GARANTIE TAST DE WETTELIJKE RECHTEN AAN, MET INBEGRIJ VAN RECHTEN VAN CONSUMENTEN ONDER NATIONALE WETGEVING INZAKE DE VERKOOP VAN CONSUMENTENGOEDEREN DIE NIET CONTRACTUEEL KAN WORDEN UITGESLOTEN OF BEPERKT.

Europees Economisch Gebied (European Economic Area, EEA)

Klanten in EEA-landen kunnen contact opnemen met Lenovo op het volgende adres: Lenovo Warranty & Service Quality Dept., PO Box 19547, Inverkip Road, Greenock, Scotland PA16 9WX. Service onder deze garantie voor een Lenovo hardwareproduct dat is aangeschaft in een EEA-land, kan worden verkregen in enig EEA-land waarin het desbetreffende product door Lenovo is aangekondigd en beschikbaar gesteld.

Deze Lenovo Beperkte Garantie is in andere talen beschikbaar op www.lenovo.com/warranty.

Informatie over de garantie

Machine-type	Land of Regio van aanschaf	Garantie-periode	Type garantieservice
6008	Europa, Midden-Oosten, Afrika, Australië, Nieuw-Zeeland, Singapore, India, Maleisië, Thailand, Indonesië, Filipijnen, Vietnam, Brunei, Sri Lanka, Bangladesh, Korea, (PRC) China, China (Hong Kong S.A.R.), Taiwan	Onderdelen en arbeid - 1 jaar	1 en 2
	Japan	Onderdelen en arbeid - 1 jaar	1 en 3
6010	Latijns-Amerika, Brazilië, Europa, Midden-Oosten, Afrika, Australië, Nieuw-Zeeland, Singapore, India, Maleisië, Thailand, Indonesië, Filipijnen, Vietnam, Brunei, Sri Lanka, Bangladesh, Korea, (PRC) China, China (Hong Kong S.A.R.), Taiwan	Onderdelen en arbeid - 1 jaar	1 en 2
	Japan	Onderdelen en arbeid - 1 jaar	1 en 3
6019	Latijns-Amerika, Brazilië, Europa, Midden-Oosten, Afrika, Australië, Nieuw-Zeeland, Singapore, India, Maleisië, Thailand, Indonesië, Filipijnen, Vietnam, Brunei, Sri Lanka, Bangladesh, Korea, (PRC) China, China (Hong Kong S.A.R.), Taiwan	Onderdelen en arbeid - 1 jaar	1 en 2
	Japan	Onderdelen en arbeid - 1 jaar	1 en 3

Machine-type	Land of Regio van aanschaf	Garantie-periode	Type garantieservice
6062	Latijns-Amerika, Brazilië, Europa, Midden-Oosten, Afrika, Australië, Nieuw-Zeeland, Singapore, India, Maleisië, Thailand, Indonesië, Filipijnen, Vietnam, Brunei, Sri Lanka, Bangladesh, Korea, (PRC) China, China (Hong Kong S.A.R.), Taiwan	Onderdelen en arbeid - 1 jaar	1 en 2
	Japan	Onderdelen en arbeid - 1 jaar	1 en 3
6064	Latijns-Amerika, Brazilië, Europa, Midden-Oosten, Afrika, Australië, Nieuw-Zeeland, Singapore, India, Maleisië, Thailand, Indonesië, Filipijnen, Vietnam, Brunei, Sri Lanka, Bangladesh, Korea, (PRC) China, China (Hong Kong S.A.R.), Taiwan	Onderdelen en arbeid - 1 jaar	1 en 2
	Japan	Onderdelen en arbeid - 1 jaar	1 en 3
6065	Australië, Nieuw-Zeeland, Singapore, India, Maleisië, Thailand, Indonesië, Filipijnen, Vietnam, Brunei, Sri Lanka, Bangladesh, (PRC) China, China (Hong Kong S.A.R.), Taiwan	Onderdelen - 3 jaar Arbeid - 1 jaar	1 en 2
	Europa, Midden-Oosten, Afrika	Onderdelen en arbeid - 3 jaar	1 en 4
6066	Australië, Nieuw-Zeeland, Singapore, India, Maleisië, Thailand, Indonesië, Filipijnen, Vietnam, Brunei, Sri Lanka, Bangladesh, (PRC) China, China (Hong Kong S.A.R.), Taiwan	Onderdelen - 3 jaar Arbeid - 1 jaar	1 en 2
	Europa, Midden-Oosten, Afrika	Onderdelen en arbeid - 3 jaar	1 en 4
6067	Australië, Nieuw-Zeeland, Singapore, India, Maleisië, Thailand, Indonesië, Filipijnen, Vietnam, Brunei, Sri Lanka, Bangladesh, (PRC) China, China (Hong Kong S.A.R.), Taiwan	Onderdelen - 3 jaar Arbeid - 1 jaar	1 en 2
	Europa, Midden-Oosten, Afrika	Onderdelen en arbeid - 3 jaar	1 en 4

Machine-type	Land of Regio van aanschaf	Garantie-periode	Type garantieservice
6068	Australië, Nieuw-Zeeland, Singapore, India, Maleisië, Thailand, Indonesië, Filipijnen, Vietnam, Brunei, Sri Lanka, Bangladesh, (PRC) China, China (Hong Kong S.A.R.), Taiwan	Onderdelen - 3 jaar Arbeid - 1 jaar	1 en 2
	Europa, Midden-Oosten, Afrika	Onderdelen en arbeid - 3 jaar	1 en 4
6069	Australië, Nieuw-Zeeland, Singapore, India, Maleisië, Thailand, Indonesië, Filipijnen, Vietnam, Brunei, Sri Lanka, Bangladesh, (PRC) China, China (Hong Kong S.A.R.), Taiwan	Onderdelen - 3 jaar Arbeid - 1 jaar	1 en 2
	Europa, Midden-Oosten, Afrika	Onderdelen en arbeid - 3 jaar	1 en 4
6071	Verenigde Staten, Canada, Latijns-Amerika, Brazilië, Europa, Midden-Oosten, Afrika, Australië, Nieuw-Zeeland, Singapore, India, Maleisië, Thailand, Indonesië, Filipijnen, Vietnam, Brunei, Sri Lanka, Bangladesh, Korea, (PRC) China, China (Hong Kong S.A.R.), Taiwan	Onderdelen en arbeid - 3 jaar	1 en 2
	Japan	Onderdelen en arbeid - 1 jaar	1 en 3
6072	Verenigde Staten, Canada, Latijns-Amerika, Brazilië, Europa, Midden-Oosten, Afrika, Australië, Nieuw-Zeeland, Singapore, India, Maleisië, Thailand, Indonesië, Filipijnen, Vietnam, Brunei, Sri Lanka, Bangladesh, Korea, (PRC) China, China (Hong Kong S.A.R.), Taiwan	Onderdelen en arbeid - 3 jaar	1 en 2
	Japan	Onderdelen en arbeid - 1 jaar	1 en 3
6073	Verenigde Staten, Canada, Latijns-Amerika, Brazilië, Europa, Midden-Oosten, Afrika, Australië, Nieuw-Zeeland, Singapore, India, Maleisië, Thailand, Indonesië, Filipijnen, Vietnam, Brunei, Sri Lanka, Bangladesh, Korea, (PRC) China, China (Hong Kong S.A.R.), Taiwan	Onderdelen en arbeid - 3 jaar	1 en 2
	Japan	Onderdelen en arbeid - 1 jaar	1 en 3

Machine-type	Land of Regio van aanschaf	Garantie-periode	Type garantieservice
6074	Europa, Midden-Oosten, Afrika, Australië, Nieuw-Zeeland, Singapore, India, Maleisië, Thailand, Indonesië, Filipijnen, Vietnam, Brunei, Sri Lanka, Bangladesh, Korea, (PRC) China, China (Hong Kong S.A.R.), Taiwan	Onderdelen en arbeid - 3 jaar	1 en 2
	Japan	Onderdelen en arbeid - 1 jaar	1 en 3
6075	Verenigde Staten, Canada, Latijns-Amerika, Brazilië, Europa, Midden-Oosten, Afrika, Australië, Nieuw-Zeeland, Singapore, India, Maleisië, Thailand, Indonesië, Filipijnen, Vietnam, Brunei, Sri Lanka, Bangladesh, Korea, (PRC) China, China (Hong Kong S.A.R.), Taiwan	Onderdelen en arbeid - 3 jaar	1 en 2
	Japan	Onderdelen en arbeid - 1 jaar	1 en 3
6076	Verenigde Staten, Canada, Latijns-Amerika, Brazilië, Europa, Midden-Oosten, Afrika, Australië, Japan, Nieuw-Zeeland, Singapore, India, Maleisië, Thailand, Indonesië, Filipijnen, Vietnam, Brunei, Sri Lanka, Bangladesh, Korea, (PRC) China, China (Hong Kong S.A.R.), Taiwan	Onderdelen en arbeid - 4 jaar	1 en 2
6077	Verenigde Staten, Canada, Latijns-Amerika, Brazilië, Europa, Midden-Oosten, Afrika, Australië, Japan, Nieuw-Zeeland, Singapore, India, Maleisië, Thailand, Indonesië, Filipijnen, Vietnam, Brunei, Sri Lanka, Bangladesh, Korea, (PRC) China, China (Hong Kong S.A.R.), Taiwan	Onderdelen en arbeid - 4 jaar	1 en 2
6078	Verenigde Staten, Canada, Latijns-Amerika, Brazilië, Europa, Midden-Oosten, Afrika, Australië, Japan, Nieuw-Zeeland, Singapore, India, Maleisië, Thailand, Indonesië, Filipijnen, Vietnam, Brunei, Sri Lanka, Bangladesh, Korea, (PRC) China, China (Hong Kong S.A.R.), Taiwan	Onderdelen en arbeid - 4 jaar	1 en 2

Machine-type	Land of Regio van aanschaf	Garantie-periode	Type garantieservice
6079	Europa, Midden-Oosten, Afrika, Australië, Japan, Nieuw-Zeeland, Singapore, India, Maleisië, Thailand, Indonesië, Filipijnen, Vietnam, Brunei, Sri Lanka, Bangladesh, Korea, (PRC) China, China (Hong Kong S.A.R.), Taiwan	Onderdelen en arbeid - 4 jaar	1 en 2
6081	Verenigde Staten, Canada, Latijns-Amerika, Brazilië, Europa, Midden-Oosten, Afrika, Australië, Japan, Nieuw-Zeeland, Singapore, India, Maleisië, Thailand, Indonesië, Filipijnen, Vietnam, Brunei, Sri Lanka, Bangladesh, Korea, (PRC) China, China (Hong Kong S.A.R.), Taiwan	Onderdelen en arbeid - 4 jaar	1 en 2
6082	Europa, Midden-Oosten, Afrika, Australië, Japan, Nieuw-Zeeland, Singapore, India, Maleisië, Thailand, Indonesië, Filipijnen, Vietnam, Brunei, Sri Lanka, Bangladesh, Korea, (PRC) China, China (Hong Kong S.A.R.), Taiwan	Onderdelen en arbeid - 3 jaar	1 en 2
6086	Verenigde Staten, Canada, Latijns-Amerika, Brazilië, Europa, Midden-Oosten, Afrika, Australië, Japan, Nieuw-Zeeland, Singapore, India, Maleisië, Thailand, Indonesië, Filipijnen, Vietnam, Brunei, Sri Lanka, Bangladesh, Korea, (PRC) China, China (Hong Kong S.A.R.), Taiwan	Onderdelen en arbeid - 3 jaar	1 en 2
6087	Verenigde Staten, Canada, Latijns-Amerika, Brazilië, Europa, Midden-Oosten, Afrika, Australië, Japan, Nieuw-Zeeland, Singapore, India, Maleisië, Thailand, Indonesië, Filipijnen, Vietnam, Brunei, Sri Lanka, Bangladesh, Korea, (PRC) China, China (Hong Kong S.A.R.), Taiwan	Onderdelen en arbeid - 3 jaar	1 en 2
6088	Verenigde Staten, Canada, Latijns-Amerika, Brazilië, Europa, Midden-Oosten, Afrika, Australië, Japan, Nieuw-Zeeland, Singapore, India, Maleisië, Thailand, Indonesië, Filipijnen, Vietnam, Brunei, Sri Lanka, Bangladesh, Korea, (PRC) China, China (Hong Kong S.A.R.), Taiwan	Onderdelen en arbeid - 3 jaar	1 en 2

Machine-type	Land of Regio van aanschaf	Garantie-periode	Type garantieservice
6089	Verenigde Staten, Canada, Latijns-Amerika, Brazilië, Europa, Midden-Oosten, Afrika, Australië, Japan, Nieuw-Zeeland, Singapore, India, Maleisië, Thailand, Indonesië, Filipijnen, Vietnam, Brunei, Sri Lanka, Bangladesh, Korea, (PRC) China, China (Hong Kong S.A.R.), Taiwan	Onderdelen en arbeid - 3 jaar	1 en 2
9011	Latijns-Amerika, Brazilië, Europa, Midden-Oosten, Afrika, Australië, Nieuw-Zeeland, Singapore, India, Maleisië, Thailand, Indonesië, Filipijnen, Vietnam, Brunei, Sri Lanka, Bangladesh, Korea, (PRC) China, China (Hong Kong S.A.R.), Taiwan	Onderdelen en arbeid - 1 jaar	1 en 2
	Japan	Onderdelen en arbeid - 1 jaar	1 en 3
9012	Europa, Midden-Oosten, Afrika, Australië, Nieuw-Zeeland, Singapore, India, Maleisië, Thailand, Indonesië, Filipijnen, Vietnam, Brunei, Sri Lanka, Bangladesh, Korea, (PRC) China, China (Hong Kong S.A.R.), Taiwan	Onderdelen en arbeid - 1 jaar	1 en 2
	Japan	Onderdelen en arbeid - 1 jaar	1 en 3
9013	Latijns-Amerika, Brazilië, Europa, Midden-Oosten, Afrika, Australië, Nieuw-Zeeland, Singapore, India, Maleisië, Thailand, Indonesië, Filipijnen, Vietnam, Brunei, Sri Lanka, Bangladesh, Korea, (PRC) China, China (Hong Kong S.A.R.), Taiwan	Onderdelen en arbeid - 1 jaar	1 en 2
	Japan	Onderdelen en arbeid - 1 jaar	1 en 3
9014	Australië, Nieuw-Zeeland, Singapore, India, Maleisië, Thailand, Indonesië, Filipijnen, Vietnam, Brunei, Sri Lanka, Bangladesh, (PRC) China, China (Hong Kong S.A.R.), Taiwan	Onderdelen - 3 jaar Arbeid - 1 jaar	1 en 2
	Europa, Midden-Oosten, Afrika	Onderdelen en arbeid - 3 jaar	1 en 4

Machine-type	Land of Regio van aanschaf	Garantie-periode	Type garantieservice
9018	Australië, Nieuw-Zeeland, Singapore, India, Maleisië, Thailand, Indonesië, Filipijnen, Vietnam, Brunei, Sri Lanka, Bangladesh, (PRC) China, China (Hong Kong S.A.R.), Taiwan	Onderdelen - 3 jaar Arbeid - 1 jaar	1 en 2
	Europa, Midden-Oosten, Afrika	Onderdelen en arbeid - 3 jaar	1 en 4
9019	Australië, Nieuw-Zeeland, Singapore, India, Maleisië, Thailand, Indonesië, Filipijnen, Vietnam, Brunei, Sri Lanka, Bangladesh, (PRC) China, China (Hong Kong S.A.R.), Taiwan	Onderdelen - 3 jaar Arbeid - 1 jaar	1 en 2
	Europa, Midden-Oosten, Afrika	Onderdelen en arbeid - 3 jaar	1 en 4
9071	Verenigde Staten, Canada, Latijns-Amerika, Brazilië, Europa, Midden-Oosten, Afrika, Australië, Nieuw-Zeeland, Singapore, India, Maleisië, Thailand, Indonesië, Filipijnen, Vietnam, Brunei, Sri Lanka, Bangladesh, Korea, (PRC) China, China (Hong Kong S.A.R.), Taiwan	Onderdelen en arbeid - 3 jaar	1 en 2
	Japan	Onderdelen en arbeid - 1 jaar	1 en 3
9087	Europa, Midden-Oosten, Afrika, Australië, Nieuw-Zeeland, Singapore, India, Maleisië, Thailand, Indonesië, Filipijnen, Vietnam, Brunei, Sri Lanka, Bangladesh, Korea, (PRC) China, China (Hong Kong S.A.R.), Taiwan	Onderdelen en arbeid - 3 jaar	1 en 2
	Japan	Onderdelen en arbeid - 1 jaar	1 en 3
9088	Verenigde Staten, Canada, Latijns-Amerika, Brazilië, Europa, Midden-Oosten, Afrika, Australië, Nieuw-Zeeland, Singapore, India, Maleisië, Thailand, Indonesië, Filipijnen, Vietnam, Brunei, Sri Lanka, Bangladesh, Korea, (PRC) China, China (Hong Kong S.A.R.), Taiwan	Onderdelen en arbeid - 3 jaar	1 en 2
	Japan	Onderdelen en arbeid - 1 jaar	1 en 3

Machine-type	Land of Regio van aanschaf	Garantie-periode	Type garantieservice
9089	Verenigde Staten, Canada, Latijns-Amerika, Brazilië, Europa, Midden-Oosten, Afrika, Australië, Japan, Nieuw-Zeeland, Singapore, India, Maleisië, Thailand, Indonesië, Filipijnen, Vietnam, Brunei, Sri Lanka, Bangladesh, Korea, (PRC) China, China (Hong Kong S.A.R.), Taiwan	Onderdelen en arbeid - 4 jaar	1 en 2
9096	Europa, Midden-Oosten, Afrika, Australië, Japan, Nieuw-Zeeland, Singapore, India, Maleisië, Thailand, Indonesië, Filipijnen, Vietnam, Brunei, Sri Lanka, Bangladesh, Korea, (PRC) China, China (Hong Kong S.A.R.), Taiwan	Onderdelen en arbeid - 4 jaar	1 en 2
9160	Verenigde Staten, Canada, Latijns-Amerika, Brazilië, Europa, Midden-Oosten, Afrika, Australië, Japan, Nieuw-Zeeland, Singapore, India, Maleisië, Thailand, Indonesië, Filipijnen, Vietnam, Brunei, Sri Lanka, Bangladesh, Korea, (PRC) China, China (Hong Kong S.A.R.), Taiwan	Onderdelen en arbeid - 4 jaar	1 en 2
9162	Verenigde Staten, Canada, Latijns-Amerika, Brazilië, Europa, Midden-Oosten, Afrika, Australië, Japan, Nieuw-Zeeland, Singapore, India, Maleisië, Thailand, Indonesië, Filipijnen, Vietnam, Brunei, Sri Lanka, Bangladesh, Korea, (PRC) China, China (Hong Kong S.A.R.), Taiwan	Onderdelen en arbeid - 3 jaar	1 en 2
9163	Europa, Midden-Oosten, Afrika, Australië, Japan, Nieuw-Zeeland, Singapore, India, Maleisië, Thailand, Indonesië, Filipijnen, Vietnam, Brunei, Sri Lanka, Bangladesh, Korea, (PRC) China, China (Hong Kong S.A.R.), Taiwan	Onderdelen en arbeid - 3 jaar	1 en 2
9164	Verenigde Staten, Canada, Latijns-Amerika, Brazilië, Europa, Midden-Oosten, Afrika, Australië, Japan, Nieuw-Zeeland, Singapore, India, Maleisië, Thailand, Indonesië, Filipijnen, Vietnam, Brunei, Sri Lanka, Bangladesh, Korea, (PRC) China, China (Hong Kong S.A.R.), Taiwan	Onderdelen en arbeid - 3 jaar	1 en 2

Machine-type	Land of Regio van aanschaf	Garantie-periode	Type garantieservice
9172*	Europa, Midden-Oosten, Afrika, Australië, Nieuw-Zeeland, Singapore, Maleisië, Thailand, Indonesië, Filipijnen, Vietnam, Brunei, Sri Lanka, Bangladesh, India, Korea, (PRC) China, China (Hong Kong S.A.R.), Taiwan	Onderdelen en arbeid - 3 jaar	1 en 2
	Japan	Onderdelen en arbeid - 1 jaar	1 en 3
9174*	Verenigde Staten, Canada, Latijns-Amerika, Brazilië, Europa, Midden-Oosten, Afrika, Australië, Japan, Nieuw-Zeeland, Singapore, India, Maleisië, Thailand, Indonesië, Filipijnen, Vietnam, Brunei, Sri Lanka, Bangladesh, Korea, (PRC) China, China (Hong Kong S.A.R.), Taiwan	Onderdelen en arbeid - 3 jaar	1 en 2
	Japan	Onderdelen en arbeid - 1 jaar	1 en 3
9181*	Verenigde Staten, Canada, Latijns-Amerika, Brazilië, Europa, Midden-Oosten, Afrika, Australië, Japan, Nieuw-Zeeland, Singapore, India, Maleisië, Thailand, Indonesië, Filipijnen, Vietnam, Brunei, Sri Lanka, Bangladesh, Korea, (PRC) China, China (Hong Kong S.A.R.), Taiwan	Onderdelen en arbeid - 3 jaar	1 en 2
	Japan	Onderdelen en arbeid - 1 jaar	1 en 3
9182*	Verenigde Staten, Canada, Latijns-Amerika, Brazilië, Europa, Midden-Oosten, Afrika, Australië, Japan, Nieuw-Zeeland, Singapore, India, Maleisië, Thailand, Indonesië, Filipijnen, Vietnam, Brunei, Sri Lanka, Bangladesh, Korea, (PRC) China, China (Hong Kong S.A.R.), Taiwan	Onderdelen en arbeid - 3 jaar	1 en 2
	Japan	Onderdelen en arbeid - 1 jaar	1 en 3

Machine-type	Land of Regio van aanschaf	Garantie-periode	Type garantieservice
9193*	Europa, Midden-Oosten, Afrika, Australië, Japan, Nieuw-Zeeland, Singapore, India, Maleisië, Thailand, Indonesië, Filipijnen, Vietnam, Brunei, Sri Lanka, Bangladesh, Korea, (PRC) China, China (Hong Kong S.A.R.), Taiwan	Onderdelen en arbeid - 3 jaar	1 en 2
	Japan	Onderdelen en arbeid - 1 jaar	1 en 3
9194*	Verenigde Staten, Canada, Latijns-Amerika, Brazilië, Europa, Midden-Oosten, Afrika, Australië, Japan, Nieuw-Zeeland, Singapore, India, Maleisië, Thailand, Indonesië, Filipijnen, Vietnam, Brunei, Sri Lanka, Bangladesh, Korea, (PRC) China, China (Hong Kong S.A.R.), Taiwan	Onderdelen en arbeid - 3 jaar	1 en 2
	Japan	Onderdelen en arbeid - 1 jaar	1 en 3
9196*	Verenigde Staten, Canada, Latijns-Amerika, Brazilië, Europa, Midden-Oosten, Afrika, Australië, Japan, Nieuw-Zeeland, Singapore, India, Maleisië, Thailand, Indonesië, Filipijnen, Vietnam, Brunei, Sri Lanka, Bangladesh, Korea, (PRC) China, China (Hong Kong S.A.R.), Taiwan	Onderdelen en arbeid - 3 jaar	1 en 2
	Japan	Onderdelen en arbeid - 1 jaar	1 en 3
9303*	Verenigde Staten, Canada, Latijns-Amerika, Brazilië, Europa, Midden-Oosten, Afrika, Australië, Japan, Nieuw-Zeeland, Singapore, India, Maleisië, Thailand, Indonesië, Filipijnen, Vietnam, Brunei, Sri Lanka, Bangladesh, Korea, (PRC) China, China (Hong Kong S.A.R.), Taiwan	Onderdelen en arbeid - 3 jaar	1 en 2
	Japan	Onderdelen en arbeid - 1 jaar	1 en 3
9304	Europa, Midden-Oosten, Afrika	Onderdelen - 3 jaar Arbeid - 1 jaar	1 en 3

* Geeft Energy Star-machines aan

Indien nodig verleent uw Serviceverlener herstel- of vervangingservice, afhankelijk van het type garantieservice dat hieronder is beschreven voor uw product en de beschikbare service. Op welk moment de service wordt uitgevoerd, hangt af van het moment waarop u om service verzoekt, de beschikbaarheid van onderdelen en andere factoren.

Een garantieperiode van 3 jaar op onderdelen en 1 jaar op arbeid betekent dat Lenovo kosteloos garantieservice verleent voor:

- a. onderdelen en arbeid gedurende het eerste jaar van de garantieperiode (of een langere periode indien dit wettelijk verplicht is); en
- b. alleen op onderdelen op basis van vervanging in het tweede en derde jaar van de garantieperiode. Uw Serviceverlener brengt u kosten in rekening voor arbeid die in het tweede of derde jaar van de garantieperiode is verricht voor het uitvoeren van reparaties of vervangingen.

Typen garantieservice

1. Customer Replaceable Unit ("CRU") Service

Onder CRU Service verzendt uw Serviceverlener CRU's naar u zodat u die kunt installeren. De meeste CRU's zijn eenvoudig te installeren, voor sommige zijn wellicht enige technische vaardigheid en bepaalde gereedschappen vereist. Informatie over CRU's en vervangingsinstructies worden bij uw product geleverd en zijn te allen tijde op verzoek bij Lenovo verkrijgbaar. U kunt een verzoek indienen om bepaalde CRU's, onder één van de typen garantieservice die voor uw product zijn aangegeven, te laten installeren door een Serviceverlener. De installatie van externe CRU's (zoals muizen, toetsenborden of beeldschermen) valt onder uw verantwoordelijkheid. In het materiaal dat bij de vervangende CRU wordt geleverd, geeft Lenovo aan of de defecte CRU moet worden teruggezonden. Indien terugzending wordt verlangd, 1) worden bij de vervangende CRU retourzendingsinstructies, een voorgefrankeerd retouretiket en verpakkingsmateriaal geleverd en 2) kunnen u voor de vervangende CRU kosten in rekening worden gebracht indien uw Serviceverlener de defecte CRU niet ontvangt binnen dertig (30) dagen nadat u de vervangende CRU hebt ontvangen.

2. On-site Service

Onder On-Site Service herstelt of vervangt uw Serviceverlener het defecte product op uw locatie. U dient zorg te dragen voor een geschikte werkomgeving om de herstellingswerkzaamheden aan het Lenovo-product mogelijk te maken. Voor bepaalde producten kan het bij bepaalde herstellingen noodzakelijk zijn dat uw Serviceverlener het product naar een aangegeven servicecentrum zendt.

3. Courier or Depot Service

Onder Courier or Depot Service wordt uw product hersteld of vervangen op een aangewezen servicecenter, waarbij uw Serviceverlener zorgdraagt voor de verzending. U bent verantwoordelijk voor het ontkoppelen van het product. U ontvangt verzendmateriaal waarin het product naar een aangegeven servicecentrum kan worden verzonden. Uw product wordt door een koerier bij u opgehaald en bij het aangegeven servicecentrum afgeleverd. Na herstelling of vervanging laat het servicecentrum het product bij u afleveren.

4. Customer Carry-In or Mail-In Service

Onder Customer Carry-In or Mail-In Service wordt uw product hersteld of vervangen op een aangewezen servicecenter, waarbij u zorgdraagt voor de aflevering of verzending. U bent verantwoordelijk voor het afleveren of verzenden zoals uw Serviceverlener aangeeft (franco, tenzij anders aangegeven) van het product in een geschikte verpakking bij/naar een aangegeven locatie. Nadat het product is hersteld of vervangen, wordt het klaargemaakt om door u te worden opgehaald. Nalatigheid bij het ophalen van het product kan ertoe leiden dat uw Serviceverlener het product naar eigen inzicht van de hand doet. Bij Mail-in Service wordt het product aan u teruggezonden op kosten van Lenovo, tenzij uw Serviceverlener anders aangeeft.

Garantiesupplement voor Mexico

Dit supplement wordt beschouwd als onderdeel van de Lenovo Beperkte Garantie en geldt uitsluitend voor producten die zijn gedistribueerd en verkocht binnen het grondgebied van Mexico. In geval van tegenstrijdigheid zijn de voorwaarden van dit supplement van toepassing.

Voor alle softwareprogramma's die vooraf geïnstalleerd op de machine worden geleverd, geldt een garantieperiode van dertig (30) dagen vanaf de datum van aanschaf voor installatiedefecten. Lenovo is niet verantwoordelijk voor de gegevens in dergelijke software en/of aanvullende programma's die door u zijn geïnstalleerd of na de aanschaf van het product zijn geïnstalleerd.

Service die niet door de garantie wordt gedekt, wordt in rekening gebracht aan de laatste gebruiker.

In geval dat er reparatie onder garantie vereist is, belt u met het Customer Support Center op 001-866-434-2080, waar u wordt verwezen naar het dichtstbijzijnde Geautoriseerde Servicecentrum. Als er in uw stad of locatie of binnen 70 kilometer buiten uw stad of locatie geen Geautoriseerd Servicecentrum is, dekt de garantie ook redelijke bezorgkosten die verband houden met het vervoer van het product naar het dichtstbijzijnde Geautoriseerde Servicecentrum. Neem contact op met het dichtstbijzijnde Authorized Service Center voor het

verkrijgen van de vereiste goedkeuring en voor informatie met betrekking tot de verzending van het product en het bestemmingsadres.

Een lijst van Geautoriseerde Servicecentra vindt u op:

<http://www.lenovo.com/mx/es/servicios>

Vervaardigd door:

SCI Systems de México, S.A. de C.V.
Av. De la Solidaridad Iberoamericana No. 7020
Col. Club de Golf Atlas
El Salto, Jalisco, México
C.P. 45680,
Tel. 01-800-3676900

Marketing door:

Lenovo de México, Comercialización y
Servicios, S. A. de C. V.
Alfonso Nápoles Gándara No 3111
Parque Corporativo de Peña Blanca
Delegación Álvaro Obregón
México, D.F., México
C.P. 01210,
Tel. 01-800-00-325-00

Hoofdstuk 4. Internationale lijst van telefoonnummers

Land of regio	Telefoonnummer
Afrika	Afrika: +44 (0)1475-555-055 Zuid-Afrika: +27-11-3028888 and 0800110756 Centraal Afrika: Neem contact op met de dichtstbijzijnde Lenovo Business Partner
Argentinië	0800-666-0011 (Spaans)
Australië	131-426 (Engels)
Oostenrijk	Up-and-running-ondersteuning: 01-24592-5901 Garantieservice en ondersteuning: 01-211-454-610 (Duits)
België	Up-and-running-ondersteuning: 02-210-9820 (Nederlands) Up-and-running-ondersteuning: 02-210-9800 (Frans) Garantieservice en ondersteuning: 02-225-3611 (Nederlands, Frans)
Bolivia	0800-10-0189 (Spaans)
Brazilië	Regio Sao Paulo: (11) 3889-8986 Buiten de regio Sao Paulo: 0800-701-4815 (Braziliaans Portugees)
Canada	Toronto: 416-383-3344 Buiten Toronto: 1-800-565-3344 (Engels, Frans)
Chili	800-361-213 Gratis: 188-800-442-488 (Spaans)
China	86-10-58851110800-990-8888 (Mandarijn)
China (Hongkong SAR)	ThinkCentre® Commerciële PC: 8205-0333 Multimedia Thuis-PC: 800-938-228 (Kantonees, Engels, Mandarijn)
China (Macau SAR)	ThinkCentre (Hotline technische info): 0800-336 (Kantonees, Engels, Mandarijn)
Colombia	1-800-912-3021 (Spaans)
Costa Rica	0-800-011-1029 (Spaans)
Kroatië	0800-0426
Cyprus	+357-22-841100
Tsjechië	+420-2-7213-1316

Land of regio	Telefoonnummer
Denemarken	Up-and-running-ondersteuning: 4520-8200 Garantieservice en ondersteuning: 7010-5150 (Deens)
Dominicaanse Republiek	1-866-434-2080 (Spaans)
Ecuador	1-800-426911 (Spaans)
El Salvador	800-6264 (Spaans)
Estland	+372 6776793 +372 66 00 800
Finland	Up-and-running-ondersteuning: 09-459-6960 Garantieservice en ondersteuning: +358-800-1-4260 (Fins)
Frankrijk	Up-and-running-ondersteuning: 0238-557-450 Garantieservice en ondersteuning (hardware): 0810-631-213 Garantieservice en ondersteuning (software): 0810-631-020 (Frans)
Duitsland	Up-and-running-ondersteuning: 07032-15-49201 Garantieservice en ondersteuning: 01805-25-35-58 (Duits)
Griekenland	+30-210-680-1700
Guatemala	1800-624-0051 (Spaans)
Honduras	Tegucigalpa: 232-4222 San Pedro Sula: 552-2234 (Spaans)
Hongarije	+36-1-382-5720
India	1800-425-6666 +91-80-2678-8970 (Engels)
Indonesië	800-140-3555 (Engels) 62-21-251-2955 (Bahasa Indonesia)
Ierland	Up-and-running-ondersteuning: 01-815-9202 Garantieservice en ondersteuning: 01-881-1444 (Engels)
Israël	Givat Shmuel Service Center: +972-3-531-3900 (Hebreeuws, Engels)
Italië	Up-and-running-ondersteuning: 02-7031-6101 Garantieservice en ondersteuning: +39-800-820094 (Italiaans)

Land of regio	Telefoonnummer
Japan	Gratis: 0120-20-5550 Internationaal: +81-46-266-4716 Bovenstaande nummers worden in het Japans aangenomen. Voor telefonische ondersteuning in het Engels kunt u wachten tot de Japanse stem uitgesproken is en een telefonist(e) het gesprek overneemt. Spreek de woorden "English support please"; u wordt dan doorverbonden met een Engels-sprekende telefonist(e). Computersoftware: 0120-558-695 Internationaal: +81-44-200-8666 (Japans)
Korea	1588-5801 (Koreaans)
Letland	+371 7070360
Litouwen	+370 5 278 66 00
Luxemburg	+352-298-977-5063 (Frans)
Maleisië	1800-88-8558 (Engels, Bahasa Melayu)
Malta	+35621445566
Mexico	001-866-434-2080 (Spaans)
Midden-Oosten	+44(0)1475-555-055
Nederland	+31-20-514-5770 (Nederlands)
Nieuw-Zeeland	0800-733-222 (Engels)
Nicaragua	001-800-220-1830 (Spaans)
Noorwegen	Up-and-running-ondersteuning: 6681-1100 Garantieservice en ondersteuning: 8152-1550 (Noors)
Panama	001-866-434-2080 (Gratis) 206-6047 (Spaans)
Peru	0-800-50-866 (Spaans)
Filippijnen	1800-1888-1426 (Engels) 63-2-995-8420 (Filipino)
Polen	+48-22-878-6999
Portugal	+351-21-892-7147 (Portugees)
Roemenië	+4-021-224-4015
Rusland	+7-495-258-6300 +8-800-200-6300 (Russisch)
Singapore	1800-3172-888 (Engels, Bahasa Melayu)
Slowakije	+421-2-4954-5555

Land of regio	Telefoonnummer
Slovenië	+386-1-4796-699
Spanje	91-714-79830901-100-000 (Spaans)
Sri Lanka	+9411 2493547 +9411 2493548(Engels)
Zweden	Up-and-running-ondersteuning: 08-477-4420 Garantieservice en ondersteuning: 077-117-1040 (Zweeds)
Zwitserland	Up-and-running-ondersteuning: 058-333-0900 Garantieservice en ondersteuning: 0800-55-54-54 (Duits, Frans, Italiaans)
Taiwan	886-2-8723-9799 0800-000-700 (Mandarijn)
Thailand	1-800-299-229 (Thai)
Turkije	00800-4463-2041 (Turks)
Verenigd Koninkrijk	Up-and-running-ondersteuning: 01475-555-055 Garantieondersteuning: 08705-500-900 (Engels)
Verenigde Staten	1-800-426-7378 (Engels)
Uruguay	000-411-005-6649 (Spaans)
Venezuela	0-800-100-2011 (Spaans)
Vietnam	Noordelijke regio en Hanoi: 84-4-843-6675 Zuidelijke regio en Ho Chi Minh Stad: 84-8-829-5160 (Engels, Vietnamees)

Hoofdstuk 5. Customer Replacement Units

CRU's (Customer Replaceable Units) zijn onderdelen van de computer die door de gebruiker kunnen worden geüpgraded of vervangen. Er zijn twee typen CRU's: intern en extern. Externe CRU's zijn eenvoudig aan te sluiten, maar voor het installeren van interne CRU's is enige technische vaardigheid vereist en er kan in bepaalde gevallen gereedschap nodig zijn, zoals een schroevendraaier. Voor zowel interne als externe CRU's geldt echter dat ze door de klant veilig kunnen worden vervangen. Interne CRU's kunnen worden vervangen door de klant of, tijdens de garantieperiode, door een service-monteur van Lenovo.

De klant is verantwoordelijk voor het vervangen van alle externe CRU's.

Desktopcomputers werken met zowel interne als externe CRU's. Externe CRU's bevinden zich buiten de computer zelf. Voorbeelden van externe CRU's zijn het toetsenbord, de muis, USB-apparaten en het netsnoer. Interne CRU's kunnen niet worden verwijderd zonder de behuizing van de computer te openen. Voorbeelden van interne CRU's zijn geheugenmodules, optische-schijfstations, adapterkaarten en de voedingseenheid.

Het *Handboek voor de gebruiker* en *Installatie en vervanging van hardware* geven aanwijzingen voor het vervangen van externe en interne CRU's. In de volgende tabellen Tabel 1 op pagina 169 kunt u opzoeken welke publicatie de instructies bevat waarnaar u op zoek bent. Om een publicatie te openen, gaat u naar het menu Start, selecteert u **Alle programma's** en **Online boeken** en klikt u op **Online boeken**. Dubbelklik op de desbetreffende publicatie.

Deze publicaties zijn ook aanwezig op de Lenovo-website, op <http://www.lenovo.com>.

Opmerking: Gebruik uitsluitend onderdelen die door Lenovo zijn verstrekt. Zie Hoofdstuk 3, "Lenovo Beperkte Garantie", op pagina 147 voor informatie over de garantie die van toepassing is op CRU's voor uw machinetype.

Tabel 1. Informatie over vervanging van CRU's

Machinetypen: 6008, 6010, 6019, 6062, 6064, 6065, 6066, 6067, 6068, 6069, 6071, 6072, 6073, 6074, 6075, 6076, 6077, 6078, 6079, 6081, 6082, 6086, 6087, 6088, 6089, 9011, 9012, 9013, 9014, 9018, 9019, 9071, 9087, 9088, 9089, 9096, 9160, 9162, 9163, 9164, 9172, 9174, 9181, 9182, 9193, 9194, 9196, 9303, 9304			
CRU	Type	Machinetype	Publicatie
Optisch station	Interne	Alle machinetypen voor dit product.	Gids voor het installeren en vervangen van hardware

Tabel 1. Informatie over vervanging van CRU's (vervolg)

Machinetypen: 6008, 6010, 6019, 6062, 6064, 6065, 6066, 6067, 6068, 6069, 6071, 6072, 6073, 6074, 6075, 6076, 6077, 6078, 6079, 6081, 6082, 6086, 6087, 6088, 6089, 9011, 9012, 9013, 9014, 9018, 9019, 9071, 9087, 9088, 9089, 9096, 9160, 9162, 9163, 9164, 9172, 9174, 9181, 9182, 9193, 9194, 9196, 9303, 9304			
CRU	Type	Machinetype	Publicatie
Vaste schijf	Interne	Alle machinetypen voor dit product.	Gids voor het installeren en vervangen van hardware
Diskette-station	Interne	Alle machinetypen voor dit product.	Gids voor het installeren en vervangen van hardware
Geheugen	Interne	Alle machinetypen voor dit product.	Gids voor het installeren en vervangen van hardware
Koel-element	Interne	Alle machinetypen voor dit product.	Gids voor het installeren en vervangen van hardware
Voedings-eenheid	Interne	Alle machinetypen voor dit product, behalve: 6008, 6068, 6074, 6079, 6082, 9012, 9018, 9087, 9096, 9163, 9172, 9193	Gids voor het installeren en vervangen van hardware
Ventilators	Interne	Alle machinetypen voor dit product.	Gids voor het installeren en vervangen van hardware
Adapter-kaarten	Interne	Alle machinetypen voor dit product.	Gids voor het installeren en vervangen van hardware
CMOS-batterij	Interne	Alle machinetypen voor dit product.	Gids voor het installeren en vervangen van hardware
Muis	Extern	Alle machinetypen voor dit product.	Handboek voor de gebruiker of Gids voor het installeren en vervangen van hardware
Toetsen-bord	Extern	Alle machinetypen voor dit product.	Handboek voor de gebruiker of Gids voor het installeren en vervangen van hardware

Hoofdstuk 6. Kennisgevingen

Mogelijk brengt Lenovo de in dit document genoemde producten, diensten of voorzieningen niet uit in alle landen. Neem contact op met uw plaatselijke Lenovo-vertegenwoordiger voor informatie over de producten en diensten die in uw regio beschikbaar zijn. Verwijzing in deze publicatie naar producten of diensten van Lenovo houdt niet in dat uitsluitend Lenovo-producten of -diensten gebruikt kunnen worden. Functioneel gelijkwaardige producten of diensten kunnen in plaats daarvan worden gebruikt, mits dergelijke producten of diensten geen inbreuk maken op intellectuele eigendomsrechten of andere rechten van Lenovo. De gebruiker is verantwoordelijk voor het vaststellen van de mate van samenwerking met producten, programma's of diensten van anderen.

Mogelijk heeft Lenovo octrooien of octrooi-aanvragen met betrekking tot bepaalde in deze publicatie genoemde producten. Aan het feit dat deze publicatie aan u ter beschikking is gesteld, kan geen recht op licentie of ander recht worden ontleend. Vragen over licenties kunt u schriftelijk richten aan:

*Lenovo (United States), Inc.
1009 Think Place, Building One
Morrisville, NC 27560
U.S.A.
Attention: Lenovo Director of Licensing*

LENOVO LEVERT DEZE PUBLICATIE OP "AS IS"-BASIS, ZONDER ENIGE GARANTIE, UITDRUKKELIJK NOCH STILZWIJGEND, MET INBEGRIIP VAN, MAAR NIET BEPERKT TOT, DE GARANTIES OF VOORWAARDEN VAN HET GEEN INBREUK MAKEN OP RECHTEN VAN DERDEN, VERHANDELBAARHEID OF GESCHIKTHEID VOOR EEN BEPAALD DOEL. In sommige rechtsgebieden is het uitsluiten van stilzwijgende garanties niet toegestaan, zodat bovenstaande uitsluiting mogelijk niet op u van toepassing is.

In deze publicatie kunnen technische onjuistheden en/of typfouten voorkomen. De informatie in deze publicatie is onderhevig aan wijzigingen. Wijzigingen zullen in nieuwe uitgaven van deze publicatie worden opgenomen. Lenovo kan de producten en/of programma's die in deze publicatie worden beschreven zonder aankondiging wijzigen en/of verbeteren.

De producten die in dit document worden beschreven, zijn niet bedoeld voor gebruik bij implantaties of andere levensondersteunende toepassingen waarbij storingen kunnen leiden tot letsel of overlijden. De informatie in dit document heeft geen invloed op Lenovo-productspecificaties of -garanties en wijzigt die niet. Niets in dit document doet dienst als uitdrukkelijke of stilzwijgende licentie of vrijwaring onder de intellectuele eigendomsrechten van Lenovo of der-

den. Alle informatie in dit document is afkomstig van specifieke omgevingen en wordt hier uitsluitend ter illustratie afgebeeld. In andere gebruiksomgevingen kan het resultaat anders zijn.

Lenovo behoudt zich het recht voor om door u verstrekte informatie te gebruiken of te distribueren op iedere manier die zij relevant acht, zonder dat dit enige verplichting voor Lenovo jegens u schept.

Verwijzingen in deze publicatie naar andere dan Lenovo-websites zijn uitsluitend opgenomen ter volledigheid en gelden op geen enkele wijze als aanbeveling voor die websites. Het materiaal op dergelijke websites maakt geen deel uit van het materiaal voor dit Lenovo-product. Gebruik van dergelijke websites is geheel voor eigen risico.

Alle hierin opgenomen prestatiegegevens zijn verkregen in een gecontroleerde omgeving. De resultaten in andere gebruiksomgevingen kunnen aanzienlijk afwijken. Bepaalde metingen zijn mogelijk verricht aan systemen die nog in de ontwikkelingsfase verkeerden, en er is geen garantie dat de resultaten hiervan gelijk zijn aan die van algemeen verkrijgbare systemen. Ook is het mogelijk dat sommige metingen schattingen zijn die door extrapolatie zijn verkregen. De feitelijke resultaten kunnen hiervan afwijken. Gebruikers van dit document dienen de toepasselijke gegevens voor hun specifieke omgeving te controleren.

Kennisgeving televisie-uitvoer

De volgende kennisgeving heeft betrekking op modellen die over de door de fabriek geïnstalleerde functie voor televisieuitvoer beschikken.

Dit product bevat technologie voor de bescherming van copyright en wordt beschermd door methodeclaims van bepaalde Amerikaanse octrooien en andere intellectuele-eigendomsrechten die eigendom zijn van Macrovision Corporation en andere rechthebbenden. Het gebruik van deze technologie voor de bescherming van copyright moet worden geautoriseerd door Macrovision Corporation, en is alleen bedoeld voor thuisgebruik en ander gebruik in beperkte kring, tenzij het gebruik op andere wijze door Macrovision Corporation is geautoriseerd. Reverse engineering en disassembly zijn verboden.

Handelsmerken

Lenovo, het Lenovo-logo, ThinkVantage, ThinkCentre en Rescue and Recovery, zijn handelsmerken van Lenovo in de Verenigde Staten en/of andere landen.

IBM and Lotus zijn handelsmerken van International Business Machines Corporation in de Verenigde Staten en/of andere landen.

Andere namen van ondernemingen, producten en diensten kunnen handelsmerken zijn van derden.

Elektronische emissie

De volgende informatie is van toepassing op Lenovo personal computers met de machinetypen: 6008, 6010, 6019, 6062, 6064, 6065, 6066, 6067, 6068, 6069, 6071, 6072, 6073, 6074, 6075, 6076, 6077, 6078, 6079, 6081, 6082, 6086, 6087, 6088, 6089, 9011, 9012, 9013, 9014, 9018, 9019, 9071, 9087, 9088, 9089, 9096, 9160, 9162, 9163, 9164, 9172, 9174, 9181, 9182, 9193, 9194, 9196, 9303, 9304.

Verklaring van de Federal Communications Commission (FCC)

Uit tests is gebleken dat deze apparatuur voldoet aan de beperkingen die in Deel 15 van de FCC Rules worden opgelegd aan digitale apparaten van Klasse B. Deze beperkingen zijn bedoeld om in een woonomgeving een redelijke mate van bescherming te bieden tegen hinderlijke interferentie. Deze apparatuur genereert, gebruikt en verzendt energie op radiofrequenties en kan, bij installatie en gebruik anders dan conform de instructies, hinderlijke interferentie met radiografische communicatie veroorzaken. Er bestaat echter geen garantie dat in een bepaalde installatie geen interferentie zal optreden. Als deze apparatuur toch hinderlijke interferentie in de radio- of televisieontvangst veroorzaakt, hetgeen kan worden bepaald door de apparatuur uit en in te schakelen, dan kan de gebruiker met behulp van een van de volgende maatregelen proberen de interferentie op te heffen:

- De ontvangstantenne verstellen of verplaatsen.
- De afstand tussen de apparatuur en de ontvanger vergroten.
- De apparatuur aansluiten op een stopcontact van een ander circuit dan het circuit waarop de ontvanger is aangesloten.
- Neem voor hulp contact op met een geautoriseerde dealer of een elektro-technisch installatiebureau.

Lenovo is niet verantwoordelijk voor interferentie met radio- of televisieontvangst die veroorzaakt wordt door andere dan de aanbevolen kabels of stekkers of door niet-geautoriseerde wijzigingen aan deze apparatuur. Bij niet-geautoriseerde wijzigingen kan het recht van de gebruiker om de apparatuur te gebruiken komen te vervallen.

Dit apparaat voldoet aan Deel 15 van de FCC Rules. Aan het gebruik ervan worden de volgende twee voorwaarden gesteld: (1) dit apparaat mag geen hinderlijke storing veroorzaken, en (2) dit apparaat moet elke ontvangen storing accepteren, met inbegrip van storingen die een ongewenste werking kunnen veroorzaken.

Verantwoordelijke partij:

Verantwoordelijke partij:
Lenovo (United States) Inc.
1009 Think Place - Building One
Morrisville, NC 27560
U.S.A.
Telefoon: (919) 294-5900



Tested To Comply
With FCC Standards

FOR HOME OR OFFICE USE

Verklaring van conformiteit met industriële emissierichtlijn Canada Klasse B

Dit digitale apparaat van Klasse B voldoet aan de Canadese richtlijn ICES-003.

Cet appareil numérique de la classe B est conforme à la norme NMB-003 du Canada.

Verklaring van conformiteit met EU-richtlijnen

Dit product voldoet aan de voorwaarden voor bescherming zoals opgenomen in EU-richtlijn 2004/108/EC van de Europese Commissie inzake de harmonisering van de wetgeving van Lidstaten met betrekking tot elektromagnetische compatibiliteit. Lenovo aanvaardt geen verantwoordelijkheid voor het niet voldoen aan de beveiligingsvereisten door een niet aanbevolen modificatie van het product, met inbegrip van de installatie van optiekaarten van andere fabrikanten.

Uit tests is gebleken dat dit product voldoet aan de eisen voor IT-apparatuur van Klasse B conform CISPR 22/Europese Standaard EN 55022. De beperkingen voor apparatuur van Klasse B zijn bedoeld om in woonomgevingen een redelijke bescherming te bieden tegen interferentie met goedgekeurde communicatieapparatuur.

Kennisgeving over naleving van EU-EMC Directive (2004/108/EC) EN 55022 klasse B

Deutschsprachiger EU Hinweis:

Hinweis für Geräte der Klasse B EU-Richtlinie zur Elektromagnetischen Verträglichkeit

Dieses Produkt entspricht den Schutzanforderungen der EU-Richtlinie 2004/108/EG (früher 89/336/EWG) zur Angleichung der Rechtsvorschriften über die elektromagnetische Verträglichkeit in den EU-Mitgliedsstaaten und hält die Grenzwerte der EN 55022 Klasse B ein.

Um dieses sicherzustellen, sind die Geräte wie in den Handbüchern beschrieben zu installieren und zu betreiben. Des Weiteren dürfen auch nur von der Lenovo empfohlene Kabel angeschlossen werden. Lenovo übernimmt keine Verantwortung für die Einhaltung der Schutzanforderungen, wenn das Produkt ohne Zustimmung der Lenovo verändert bzw. wenn Erweiterungskomponenten von Fremdherstellern ohne Empfehlung der Lenovo gesteckt/eingebaut werden.

Deutschland: Einhaltung des Gesetzes über die elektromagnetische Verträglichkeit von Betriebsmitteln

Dieses Produkt entspricht dem "Gesetz über die elektromagnetische Verträglichkeit von Betriebsmitteln" EMVG (früher "Gesetz über die elektromagnetische Verträglichkeit von Geräten"). Dies ist die Umsetzung der EU-Richtlinie 2004/108/EG (früher 89/336/EWG) in der Bundesrepublik Deutschland.

Zulassungsbescheinigung laut dem Deutschen Gesetz über die elektromagnetische Verträglichkeit von Betriebsmitteln, EMVG vom 20. Juli 2007 (früher "Gesetz über die elektromagnetische Verträglichkeit von Geräten"), bzw. der EMV EG Richtlinie 2004/108/EC (früher 89/336/EWG), für Geräte der Klasse B.

Dieses Gerät ist berechtigt, in Übereinstimmung mit dem Deutschen EMVG das EG-Konformitätszeichen - CE - zu führen. Verantwortlich für die Konformitätserklärung nach Paragraf 5 des EMVG ist die Lenovo (Deutschland) GmbH, Pascalstr. 100, D-70569 Stuttgart.

Informationen in Hinsicht EMVG Paragraf 4 Abs. (1) 4:
Das Gerät erfüllt die Schutzanforderungen nach EN 55024 und EN 55022 Klasse B.

Korea: Kennisgeving Klasse B

이 기기는 가정용으로 전자파 적합등록을 한 기기로서
주거지역에서는 물론 모든 지역에서 사용할 수 있습니다.

Japan: Kennisgeving VCCI-klasse B

この装置は、情報処理装置等電波障害自主規制協議会（VCCI）の基準に基づきクラスB情報技術装置です。この装置は、家庭環境で使用することを目的としていますが、この装置がラジオやテレビジョン受信機に近接して使用されると、受信障害を引き起こすことがあります。
取扱説明書に従って正しい取り扱いをして下さい。

Japan: Naleving voor producten met maximaal 20A per fase

高調波電流規格 JIS C 61000-3-2 適合品

Taiwan: Verklaring van compliantie voor toetsenbord en muis

本產品隨貨附已取得經濟部標準檢驗局認可之PS/2或USB的鍵盤與滑鼠一組

Taiwan: Informatie over Lenovo productservice

台灣 Lenovo 產品服務資訊如下：
荷蘭商思惟個人電腦產品股份有限公司台灣分公司
台北市信義區信義路五段七號十九樓之一
服務電話: 0800-000-700

Vereisten van de Federal Communications Commission (FCC) en telefoonmaatschappijen

1. Dit apparaat voldoet aan Deel 68 van de FCC Rules. Op dit apparaat is een etiket bevestigd dat, onder andere, het FCC registratienummer, USOC en REN (Ringer Equivalency Number) voor deze apparatuur vermeldt. Mocht uw telefoonmaatschappij naar deze nummers vragen, dan dient u ze te verstrekken.

Opmerking: Als het apparaat een interne modem is, wordt er nog een tweede FCC registratie-etiket bijgeleverd. U kunt dit etiket bevestigen op de buitenkant van de computer waarin u de Lenovo-modem installeert, of aan de externe DAA, indien van toepassing. Bevestig het etiket op een plaats waar u het gemakkelijk kunt zien, dit voor het geval u de op het etiket vermelde gegevens moet doorgeven aan de telefoonmaatschappij.

2. Het REN is nuttig om te bepalen hoeveel apparaten u op uw telefoonlijn kunt aansluiten zonder dat u het risico loopt dat een of meer van die apparaten niet overgaat ("rinkelt") als uw nummer wordt gebeld. In de meeste, maar niet alle, gebieden mag de som van het aantal REN's van alle apparaten niet groter zijn dan vijf (5). Voor het maximum aantal apparaten dat u op uw telefoonlijn kunt aansluiten, zoals bepaald door de REN, dient u contact op te nemen met uw telefoonmaatschappij.

3. Als het apparaat schade aanricht aan het telefoonnet, kan de telefoonmaatschappij de dienstverlening aan u opschorten. De telefoonmaatschappij zal u, indien mogelijk, vooraf op de hoogte stellen; indien dit echter niet haalbaar is, wordt u zo snel mogelijk op de hoogte gesteld. U wordt gewezen op uw recht om een klacht te deponeren bij de FCC.
4. Uw telefoonmaatschappij kan wijzigingen aanbrengen in haar faciliteiten, apparatuur, werking of procedures die van invloed kunnen zijn op de juiste werking van uw apparatuur. In dat geval wordt u vooraf op de hoogte gesteld om u de gelegenheid te bieden ononderbroken van de dienstverlening gebruik te blijven maken.
5. Als u problemen ondervindt met dit product, kunt u contact opnemen met een geautoriseerde wederverkoper of het Customer Support Center bellen. In de Verenigde Staten belt u op **1-800-426-7378**. In Canada kunt u bellen op **1-800-565-3344**. U kan worden gevraagd uw aankoopbewijs te tonen. De telefoonmaatschappij kan het apparaat ook van het netwerk afsluiten totdat het probleem is verholpen, of totdat u er zeker van bent dat het apparaat naar behoren functioneert.
6. Het apparaat kan niet door de klant zelf worden gerepareerd. In geval van problemen met het apparaat kunt u voor informatie contact opnemen met uw geautoriseerde wederverkoper, of het gedeelte over het oplossen in deze handleiding raadplegen.
7. Dit apparaat mag niet worden gebruikt in combinatie met munt-telefoondiensten die de telefoonmaatschappij aanbiedt. Bij aansluiting op partijlijnen is er een staattarief van toepassing. Voor informatie kunt u contact opnemen met de staatscommissie voor openbare nutsbedrijven of met uw bedrijfscommissie.
8. Bij het bestellen van netwerkinterfacediensten van de plaatselijke Exchange Carrier dient u melding te maken van serviceregeling USOC RJ11C.

Waarmerk van het Canadian Department of Communications

KENNISGEVING: Het etiket van Industry Canada geeft gewaarmerkte apparatuur aan. Dit waarmerk betekent dat de apparatuur voldoet aan de beschermings-, werkings- en veiligheidseisen voor telecommunicatienetwerken zoals voorgeschreven in de van toepassing zijnde Terminal Equipment Technical Requirements-documenten. Het Department garandeert niet dat de apparatuur zal functioneren naar tevredenheid van de gebruiker.

Alvorens dit apparaat te installeren, dient de gebruiker te controleren of het mag worden aangesloten op de faciliteiten van de plaatselijke telecommunicatiemaatschappij. De apparatuur moet op een acceptabele manier worden aangesloten. De klant dient er echter rekening mee te houden dat, ook indien het bovenstaande in acht wordt genomen, de kwaliteit van de service in bepaalde situaties achteruit kan gaan. Reparatie aan gewaarmerkte apparatuur dient te worden uitgevoerd door een door de leverancier aangewezen techni-

cus. Alle reparaties of veranderingen die de gebruiker aan deze apparatuur heeft aangebracht, of defecten aan de apparatuur, kunnen de telefoonmaatschappij aanleiding geven de gebruiker te verzoeken om de apparatuur af te sluiten.

Voor uw eigen veiligheid dient u ervoor te zorgen dat de aardeaansluitingen van netstroomleidingen, telefoonlijnen en metalen waterleidingen (indien aanwezig) met elkaar in verbinding staan. Deze voorzorgsmaatregel is vooral van belang in landelijke gebieden.

Waarschuwing: Probeer deze verbindingen niet zelf aan te leggen; raadpleeg een elektricien of installatiebedrijf.

KENNISGEVING: Het REN (Ringer Equivalence Number) dat aan elk terminalapparaat is toegekend, geeft een indicatie van het maximum aantal terminals dat op de telefoonlijn mag worden aangesloten. Als terminator voor de lijn kan elke willekeurige combinatie van apparaten dienen, waarbij als beperking uitsluitend geldt dat de som van het aantal REN's niet groter mag zijn dan 5.

Kennisgevingen voor het netsnoer

Lenovo levert bij dit product een netsnoer voorzien van een stekker met randaarde. Ter voorkoming van een elektrische schok dient u dit netsnoer alleen te gebruiken in combinatie met een stopcontact met randaarde.

Gebruik bij een netspanning van 115 V een netsnoer dat is geregistreerd door UL en gewaarmerkt door de CSA, met drie koperen aders met een doorsnede van minimaal 0,82 mm (18 AWW), een lengte van maximaal 5 meter en een geaarde stekker voor 125 V die geschikt is voor 15 A.

Gebruik bij een netspanning van 230 V (in de Verenigde Staten) een netsnoer dat is geregistreerd door UL en gewaarmerkt door de CSA, met drie koperen aders met een doorsnede van minimaal 0,82 mm (18 AWG), een lengte van maximaal 5 meter en een geaarde stekker voor 250 V die geschikt is voor 15 A.

Gebruik bij een netspanning van 230 V (buiten de Verenigde Staten) een netsnoer met een aangepaste, geaarde stekker. De combinatie van netsnoer en stekker dient goedgekeurd te zijn voor gebruik in het land waarin de apparatuur wordt geïnstalleerd.

Netsnoeren die door Lenovo zijn geleverd voor een bepaald land of regio zijn gewoonlijk alleen in dat land verkrijgbaar.

Bij gebruik in Duitsland dient u een goedgekeurd netsnoer te gebruiken. In Duitsland dient dit H05VV-F, 3G, 0,75 mm² of beter te zijn. In andere landen

moeten dienovereenkomstig geschikte netsnoeren worden gebruikt.

Onderdeelnr. netsnoer	Wordt gebruikt in deze landen en regio's
24R2633	Japan
39M5067	Argentinië, Paraguay, Uruguay
39M5080	Antigua en Barbuda, Aruba, Bahama's, Barbados, Belize, Bermuda, Bolivia, Canada, Caymaneilanden, Costa Rica, Colombia, Cuba, Dominicaanse Republiek, Ecuador, El Salvador, Guam, Guatemala, Haïti, Honduras, Jamaica, Mexico, Micronesië (Federale Staten van), Nederlandse Antillen, Nicaragua, Panama, Peru, Filippijnen, Saudi-Arabië, Thailand, Taiwan, Turks- en Caïcoseilanden, Verenigde Staten, Venezuela
39M5102	Australië, Nieuw-Zeeland
39M5122	Afghanistan, Albanië, Algerije, Andorra, Angola, Armenië, Azerbeïdzjan, Wit-Rusland, België, Benin, Bosnië en Herzegovina, Bulgarije, Burkina Faso, Burundi, Cambodja, Centraal-Afrikaanse Republiek, Comoren, Kongo (Democratische Republiek), Kongo (Republiek), Ivoorkust, Dahomey, Djibouti, Duitsland, Egypte, Equatoriaal-Guinea, Eritrea, Estland, Ethiopië, Finland, Frankrijk, Frans Guyana, Frans Polynesië, Gabon, Georgië, Griekenland, Guadeloupe, Guinea, Guinee Bissau, Hongarije, IJsland, Indonesië, Iran, Joegoslavië (Federale Republiek), Kaapverdië, Kameroen, Kazachstan, Kirgizstan, Kroatië, Laos, Letland, Libanon, Litouwen, Luxemburg, Macedonië (Voormalige Joegoslavische Republiek), Madagaskar, Mali, Marokko, Martinique, Mauritanië, Mauritius, Mayotte, Moldova, Monaco, Mongolië, Mozambique, Nederland, Nieuw-Caledonië, Niger, Noorwegen, Oekraïne, Oezbekistan, Oostenrijk, Opper Volta, Polen, Portugal, Réunion, Roemenië, Russische Federatie, Rwanda, Sao Tome en Principe, Saoedi-Arabië, Senegal, Servië, Slowakije, Slovenië, Somalië, Spanje, Suriname, Zweden, Syrië, Tadzjikistan, Tsaad, Tsjechië, Tunesië, Turkije, Turkmenistan, Wallis en Futuna, Joegoslavië (Federale Republiek), Zaire
39M5129	Denemarken
39M5143	Bangladesh, Lesotho, Macao (SAR van China), Malediven, Namibië, Nepal, Pakistan, Samoa, Zuid-Afrika, Sri Lanka, Swaziland, Oeganda
39M5150	Abu Dhabi, Australië, Bahrein, Botswana, Brunei Darussalam, Kanaaleilanden, Cyprus, Dominica, Fiji, Gambia, Ghana, Granada, Guyana, Hongkong S.A.R van China, Irak, Ierland, Jordanië, Kenia, Kiribati, Koeweit, Liberia, Malawi, Maleisië, Malta, Myanmar (Birma), Nauru, Nieuw-Zeeland, Nigeria, Oman, Katar, Saint Kitts en Nevis, Papoea-Nieuw-Guinea, Saint Lucia, Saint Vincent en de Grenadines, Seychellen, Sierra Leone, Singapore, Soedan, Tanzania (Verenigde Republiek), Trinidad & Tobago, Verenigde Arabische Emiraten (Dubai), Verenigd Koninkrijk, Jemen, Zambia, Zimbabwe
39M5151	Hongkong SAR van China, Korea

Onderdeelnr. netsnoer	Wordt gebruikt in deze landen en regio's
39M5157	Liechtenstein, Zwitserland
39M5164	Chili, Italië, Libië
39M5171	Israël
39M5205	China
39M5212	Korea
39M5232	Brazilië
39M5246	Taiwan
41R3175	India

Kennisgeving voor PVC-kabels en -snoeren

WAARSCHUWING: Als u in aanraking komt met het snoer van dit product of snoeren van accessoires die voor dit product worden verkocht, kunt u blootgesteld worden aan lood; lood wordt in de staat Californië beschouwd als kankerverwekkend, en als veroorzaker van geboortefwijkingen of andere reproductieve schade. *Was daarom uw handen nadat u de kabels hebt aangeraakt.*

China - Tabel gevaarlijke stoffen

产品中有毒有害物质或元素的名称及含量

部件名称	有毒有害物质或元素					
	铅(Pb)	汞(Hg)	镉(Cd)	六价铬 (Cr(VI))	多溴连苯 (PBB)	多溴二苯醚 (PBDE)
印刷电路板组件*	X	O	O	O	O	O
硬盘	X	O	O	O	O	O
光驱	X	O	O	O	O	O
内存	X	O	O	O	O	O
电脑I/O 附件	X	O	O	O	O	O
电源	X	O	O	O	O	O
键盘	X	O	O	O	O	O
鼠标	X	O	O	O	O	O
机箱/附件	X	O	O	O	O	O

○:表示该有毒有害物质在该部件所有均质材料中的含量均在SJ/T11363-2006标准规定的限量要求以下
 ×:表示该有毒有害物质至少在该部件的某一均质材料中的含量超出SJ/T11363-2006标准规定的限量要求
 表中标有“×”的所有部件都符合欧盟RoHS 法规。

印刷电路板组件*: 包括印刷电路板及其零部件、电容和连接器
 根据型号的不同,可能不会含有以上的所有部件,请以实际购买机型为准



在中华人民共和国境内销售的电子信息产品必须标识此标志,标志内的数字代表在正常使用状态下的产品的环保使用期限

WEEE-kennisgevingen (Waste Electrical and Electronic Equipment)

Lenovo moedigt eigenaren van IT-apparatuur aan om hun apparatuur, wanneer deze niet meer nodig is, op een verantwoorde manier te laten recyclen. Lenovo kent een veelheid aan programma's en services om eigenaren te helpen bij de recycling van hun IT-producten. Informatie over recycling van producten is te vinden op de Lenovo-website op <http://www.pc.ibm.com/ww/lenovo/about/environment/>.

WEEE-verklaring voor de Europese Unie (EU)

Het WEEE-merkteken geldt alleen voor landen binnen de Europese Unie (EU) en Noorwegen. Apparaten worden van een merkteken voorzien overeenkomstig Europese Richtlijn 2002/96/EC inzake afgedankte elektrische en elektronische apparatuur (waste electrical and electronic equipment, WEEE). Deze

richtlijn stelt het raamwerk vast voor het retourneren en recyclen van gebruikte apparatuur, zoals van toepassing binnen de Europese Unie. Dit merktteken wordt aangebracht op diverse producten om aan te geven dat het product in kwestie niet dient te worden weggegooid, maar dat het aan het eind van de levenscyclus krachtens deze Richtlijn dient te worden geretourneerd.

Gebruikers van elektrische en elektronische apparaten (EEE) welke zijn voorzien van het WEEE-merktteken zijn gehouden aan Annex IV van de WEEE Richtlijn en mogen gebruikte EEE niet weggooiden als ongesorteerd afval, maar dienen voor het teruggeven, recyclen en terugwinnen van WEEE gebruik te maken van het inzamelproces dat voor hen beschikbaar is, en dienen de mogelijke effecten die EEE ten gevolge van de aanwezigheid van schadelijke stoffen kunnen hebben op het milieu en de volksgezondheid, tot een minimum te beperken. Voor meer informatie over WEEE gaat u naar:
<http://www.lenovo.com/lenovo/environment>.

Recyclingverklaring voor Japan

Ophalen en recyclen van een Lenovo-computer of -monitor die niet meer wordt gebruikt

Als u werknemer bent en een Lenovo-computer of -monitor wilt wegdoen die eigendom is van het bedrijf, dient u te handelen overeenkomstig de Wet ter Bevordering van het Effectief Gebruik van Hulpbronnen. Computers en beeldschermen worden aangemerkt als industrieel afval en moeten op de juiste wijze worden afgeleverd bij een daarvoor bestemd afvalpunt dat is aangewezen door de lokale overheid. Overeenkomstig de Wet ter Bevordering van het Effectief Gebruik van Hulpbronnen draagt Lenovo Japan via de PC Collecting and Recycling Services zorg voor inzameling en hergebruik van oude computers en monitors. Meer informatie vindt u op de Lenovo-website op www.ibm.com/jp/pc/service/recycle/pcrecycle/

Ingevolge de Wet ter Bevordering van het Effectief Gebruik van Hulpbronnen is op 1 oktober 2003 een begin gemaakt met het ophalen en recyclen van thuis gebruikte computers en monitors. Deze wordt gratis verleend voor thuis gebruikte computers die zijn verkocht na 1 oktober 2003. Kijk voor meer informatie op de Lenovo-website op www.ibm.com/jp/pc/service/recycle/personal/.

Een onderdeel van een Lenovo-computer weggooiden

Bepaalde Lenovo computerproducten die in Japan worden verkocht, bevatten componenten die zware metalen en andere milieu-onvriendelijke stoffen. Volg bij het weggooiden van gebruikte componenten, zoals printplaten of schijfstations, de bovenbeschreven methode voor inzameling en recycling van gebruikte computers en monitors.

Gebruikte lithiumbatterijen uit een Lenovo-computer weggooien

Er bevindt zich een kleine ronde batterij op de systeemplaat van uw Lenovo-computer om de klok van de computer bij te houden wanneer de computer uit staat of de stekker niet in het stopcontact zit. Als u deze batterij wilt vervangen door een nieuwe, moet u contact opnemen met uw verkooppunt of met een door Lenovo geboden herstelservice. Mocht u de batterij zelf hebben vervangen en de oude lithiumbatterij willen weggooien, isoleer deze dan met vinyltape, neem contact op met de plaats van aanschaf en volg hun instructies. Als u thuis een Lenovo-computer gebruikt en de lithiumbatterij wilt weggooien, moet u ook de regels van de lokale overheden naleven.

Informatie over ENERGY STAR-modellen



ENERGY STAR[®], een gezamenlijk programma van het Amerikaanse milieu-agentschap EPA en het Amerikaanse Ministerie van Energie, stelt zich ten doel geld te besparen en het milieu minder te belasten door middel van energie-zuinige producten en werkwijzen.

Lenovo biedt producten aan die voldoen aan de richtlijnen van het ENERGY STAR-programma. Uit tests is gebleken dat de volgende machinetypen voldoen aan de eisen die ENERGY STAR 4.0 stelt aan computers:

- 9172
- 9174
- 9181
- 9182
- 9193
- 9194
- 9196
- 9303

Door producten te gebruiken die voldoen aan de eisen van ENERGY STAR en door te profiteren van de functies voor energiebeheer die in de computer zijn ingebouwd, kunt u besparen op uw energierekening. Een reductie van het

elektriciteitsverbruik draagt niet alleen bij aan financiële besparingen, maar ook aan een schoner milieu en een verlaagde uitstoot van broeikasgassen.

Meer informatie over ENERGY STAR vindt u op <http://www.energystar.gov>.

Lenovo spoort u aan om efficiënt gebruik van energie tot een integraal onderdeel van uw dagelijkse routine te maken. Om u hierbij te helpen, heeft Lenovo de volgende functies voor energiebeheer vooraf ingesteld. Deze worden van kracht als uw computer een bepaalde tijd niet actief is geweest.

Tabel 2. ENERGY STAR-functies voor energiebeheer, per besturingssysteem

Windows XP	Windows Vista
<ul style="list-style-type: none">• Beeldscherm uit: Na 15 minuten• Vaste schijven uit: Nooit• Systeem naar Standby: Na 20 minuten• Systeem naar slaapstand: Nooit	Energiebeheerschema: Gebalanceerd <ul style="list-style-type: none">• Beeldscherm uitzetten na: 10 minuten• Sluimerstand na: 25 minuten• Geavanceerde instellingen:<ul style="list-style-type: none">– Vaste schijf uitzetten na: 20 minuten– Slaapstand na: Nooit

Om het systeem te laten ontwaken uit de spaarstand Standby of de slaapstand, drukt u op een willekeurige toets op het toetsenbord. Voor meer informatie over deze instellingen kunt u het Help- en informatiesysteem van Windows raadplegen.

ThinkCentre®

Part Number: 43C6558

Printed in USA

(1P) P/N: 43C6558

